

OCT10-M22301EN

PREFACE

This parts catalog carries all parts incorporated in YANMAR Model YM226/YM226D tractors manufactured since April, 1981.

Each illustration corresponds to the parts list on the following page.

When ordering parts, clearly write down the tractor model, as well as the name and number of each part in your order sheet. This will help insure reliable delivery of the parts you have ordered.

COLOURING

Some parts are painted in colors according to the models, specifications, and their destinations. In this parts catalog, colouring is classified into ten variations and shown in abbreviated codes as below.

| Colour code | Color |
|-------------|---------------------|
| K | Metallic calm green |
| M | Silver |
| P | Green |
| Q | Cream |
| R | Red |
| W | Frosted black |
| X | Black |
| Y | Yellow |
| U | Plating |

The colour of a part is denoted by the colour code suffixed to an ordinary part number :

Example : Fender (L)

194195-62110-R

↓
Red

When ordering painted parts, please designate part colours in your order sheet by suffixing one of these color codes to the part number you want to order.

Classification of specification code

A: America, Canada, South Africa, Australia & New Zealand

E: Europe (Bergium & Holland)

F: France, Bergium & Holland

Scan: Scandinavia (Norway & Denmark)

U: England, Switzerland, Denmark & Norway

Stan: Standard (Other country)

Directions for the Parts Catalog.

1. The parts stipulated in this Parts Catalog are not necessarily standard equipped parts.
2. Parts may change without prior notice.
3. The following is an example of the Parts Catalog format.

| REF. | LEV. | PARTS NO. | DESCRIPTION | Q'TY | | | | | | I | R |
|------|------|--|---------------------|------|-----|-----|-----|-----|-----|---|---|
| | | | | (A) | (B) | (C) | (D) | (E) | (F) | | |
| 1 | 1 | 729595-51390 | FUEL INJECTION PUMP | 1 | 1 | 1 | 1 | 1 | | | 1 |
| 1-1 | 1 | 729595-51391 | FUEL INJECTION PUMP | 1 | 1 | 1 | 1 | 1 | | N | 1 |
| | | (A=E00185) (B=E00200) | | | | | | | | | |
| 3 | 2 | 26022-060162 | SCREW M 6X 16 | 9 | 9 | 9 | 9 | 9 | | | |
| 3-1 | 2 | 26022-060162 | SCREW M 6X 16 | 4 | 4 | 4 | 4 | 4 | | K | |
| | | (A=E00156) (B=E00156) (C=E00156) (D=E00156) (E=E00156) | | | | | | | | | |
| 4 | 2 | 129470-51040 | CAMSHAFT | 1 | 1 | 1 | 1 | 1 | | | |
| 5 | 2 | 122710-51050 | BEARING, ROLLER | 2 | 2 | 2 | 2 | 2 | | | |
| 6 | 2 | 129470-51060 | RETAINER | 1 | 1 | 1 | 1 | 1 | | | |

| Remarks |
|---|
| (1) BOOST COMPEMSATOR TYPE. OPTIONAL PART, TO E00155,(4JH-DT, 4JH-DTZ |

① Ref. No.

The Ref. No. listed may not be in accordance with the illustration Ref. No.

(Ex.) Illustration No.

List Ref No.

1

1

(Before change)

1-1

(After change)

For interchangeable symbols N, R and K, illustrations for new parts may be abbreviated.

② Lev. (Level)

Level indication

The numbers below indicate the level of relativity towards the main part.

1 ----- Main parts (Assembly parts)

2 ----- Sub component included in " 1 ".

3 ----- Sub component included in " 2 ".

Note) Parts that are not for sale are partially illustrated but not listed.

③ Interchangeability Mark

When a part change takes place, one of the following interchangeability symbols is indicated beside the part.

| Symbol | Interchangeability | Contents note |
|--------|---|--|
| N | Old $\begin{matrix} \leftarrow \text{Yes} \\ \text{No} \rightarrow \end{matrix}$ New | New Part is interchangeable for Old Part but Old Part is not interchangeable for New Part. |
| Q | Old $\begin{matrix} \leftarrow \text{No} \\ \text{Yes} \rightarrow \end{matrix}$ New | New Part is not interchangeable for Old Part but Old Part is interchangeable for New Part. |
| R | Old $\begin{matrix} \leftarrow \text{Yes} \\ \text{Yes} \rightarrow \end{matrix}$ New | New/ Old Parts are both interchangeable. |
| S | Old $\begin{matrix} \leftarrow \text{No} \\ \text{No} \rightarrow \end{matrix}$ New | New/ Old Parts are both not interchangeable. |
| W | | Part newly added. |
| Z | | Part discontinued. |
| F | | Not interchangeable by a single part but interchangeable together with related parts. |
| K | | Changes only for used parts quantities. |

④ Effective Machine No.

When a part changes, the effective Machine No. will be indicated in the (A)-(F) column.

| Product Symbol | Product No. | Product Symbol | Product No. |
|----------------|---------------------------|----------------|-----------------------------------|
| C | Clutch No. Compressor No. | F | Machine No. (Agricultural Equip.) |
| D | Drive No. | M | Machine No. |
| E | Engine No. | Note 1) | Date |

Note 1) A date may follow the symbol. (Ex.) 1996.01

Note 2) " XXX " are for parts that could not be predicted or for engine models that could not be identified.

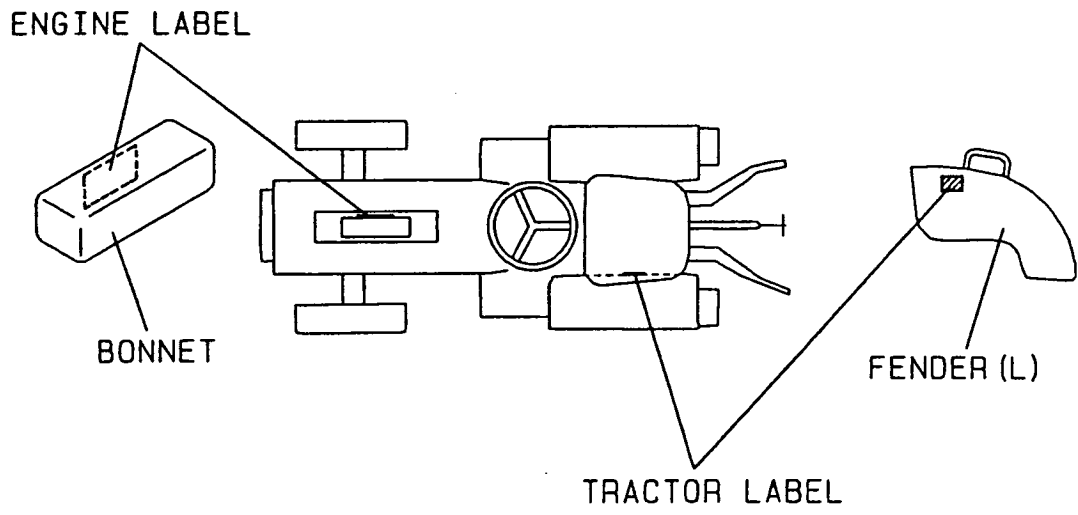
Note 3) (A=E00185) is the E (Engine Serial Number) for the column (A) model (in this case 4JH-DT) after the parts design change.

⑤ Remarks Mark

Figures or alphabets (symbols) are entered in the remarks column.

The comments (remarks) on parts that are indicated at the bottom of the illustration are the same symbols as those stated above.

LOCATION OF ENGINE LABEL & TRACTOR LABEL



Contents

| Fig. No. | Fig. Name |
|-------------------|--------------------------------|
| ENGINE 3T75HA/F/S | |
| 1. | CYLINDER BLOCK |
| 2. | GEAR HOUSING |
| 3. | MAIN BEARING HOUSING |
| 4. | LABELS(FOR ENGINE) |
| 5. | CYLINDER HEAD |
| 6. | BONNET & AIR BREATHER |
| 7. | AIR CLEANER |
| 8. | SILENCER |
| 9. | CAMSHAFT |
| 10. | CRANKSHAFT & FLYWHEEL |
| 11. | PISTON & CONNECTING ROD |
| 12. | LUBRICATING OIL PUMP |
| 13. | LUBRICATING OIL LINES |
| 14. | COOLING WATER PUMP |
| 15. | RADIATOR |
| 16. | COOLING WATER LINES |
| 17. | FUEL INJECTION PUMP |
| 18. | FUEL INJECTION VALVE |
| 19. | FUEL STRAINER |
| 20. | FUEL LINES |
| 21. | GOVERNOR MECHANISM |
| 22. | ELECTRIC EQUIPMENT |
| 23. | THERMOSTART DEVICE. |
| 24. | STARTER 12V-1.8KW(TYPE S12-77) |

| Fig. No. | Fig. Name |
|------------------|--------------------------------|
| 25. | GENERATOR(TYPE GP9150) |
| 26. | REPAIR KIT(A)(FOR ENGINE) |
| 27. | GASKET KIT(A)(FOR ENGINE) |
| CHASSIS YM226(D) | |
| 28. | THROTTLE (EXCEPT ENGLAND) |
| 29. | THROTTLE (FOR ENGLAND) |
| 30. | FUEL TANK |
| 31. | FRONT AXLE BRACKET |
| 32. | FRONT AXLE(FOR YM226) |
| 33. | PROPELLER SHAFT(FOR YM226D) |
| 34. | 1ST SHAFT & RING GEAR(YM226D) |
| 35. | CASING OF FRONT AXLE(YM226D) |
| 36. | 2ND SHAFT & SPINDLE(YM226D) |
| 37. | STEERING(FOR YM226) |
| 38. | STEERING(FOR YM226D) |
| 39. | CLUTCH HOUSING |
| 40. | TRANSMISSION HOUSING |
| 41. | CENTER PLATE & POWER SHIFT P. |
| 42. | TRANSMISSION GEARS |
| 43. | CYLINDER OF POWER SHIFT CLUTCH |
| 44. | P.T.O.DRIVE SHAFT |
| 45. | COLUMN SHIFT |
| 46. | RANGE SHIFT |
| 47. | FRONT DRIVE & SHIFT |

Contents

Fig. No. Fig. Name

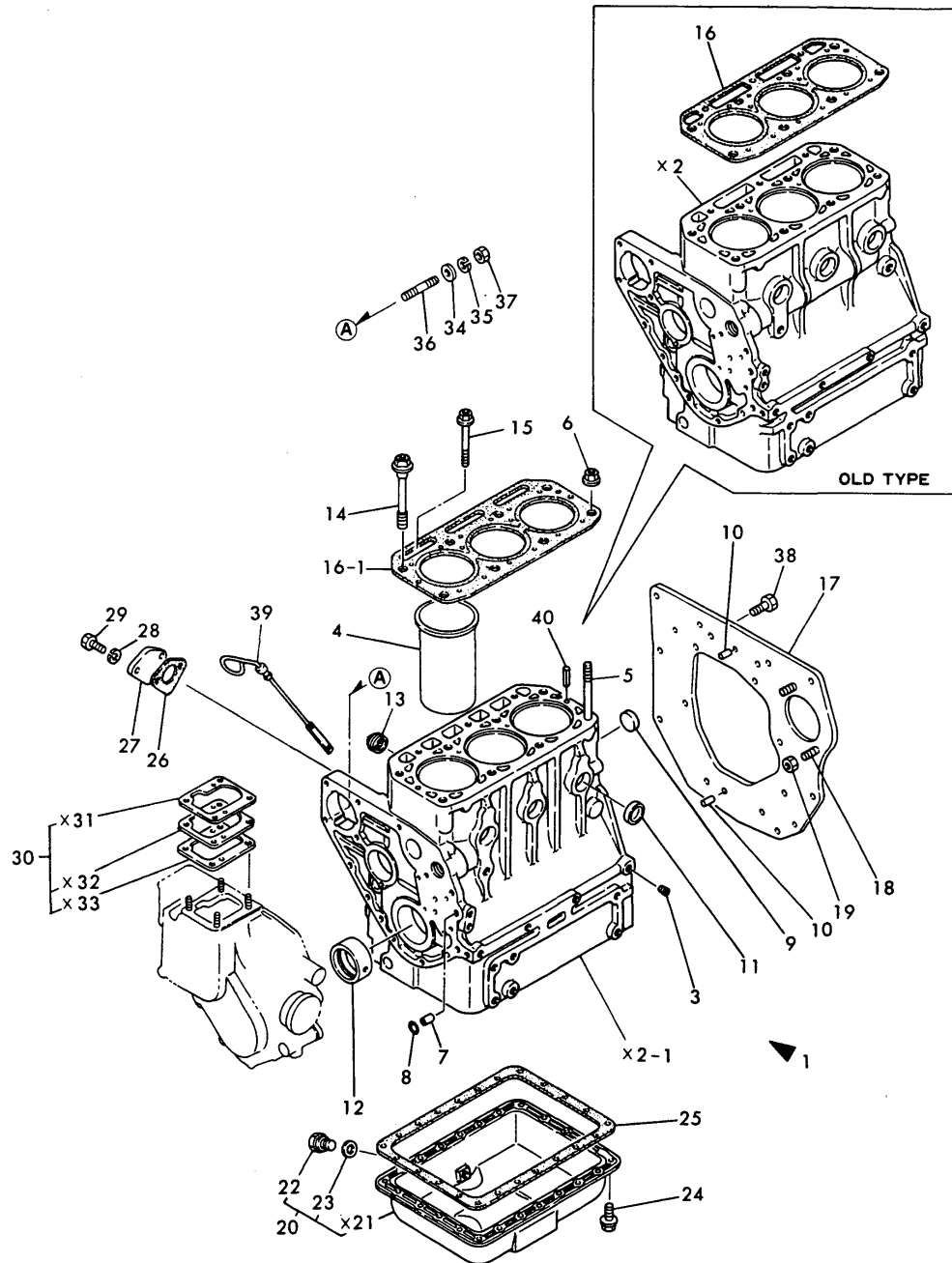
- 48. DIFFERENTIAL GEARS (REAR AXLE)
- 49. REAR AXLE HOUSING (1)
- 50. REAR AXLE HOUSING(2)
- 51. REAR AXLE SHAFT
- 52. BRAKES
- 53. HYDRAULIC PIPES
- 54. HYDRAULIC CYLINDER
- 55. HYDRAULIC LIFT
- 56. HYDRAULIC CONTROL VALVE
- 57. OIL PRESSURE CONTROL
- 58. ELECTRIC PARTS (U.S.A.)
- 59. ELECTRIC PARTS (FRANCE)
- 60. ELECTRIC PARTS (EUROPE)
- 61. ELECTRIC PARTS (ENGLAND)
- 62. ELECTRIC PARTS (SCANDINAVIA)
- 63. HOOD (U.S.A.)
- 64. HOOD (FRANCE & EUROPE)
- 65. HOOD (ENGLAND)
- 66. H00D (SCANDINAVIA)
- 67. FENDER (U.S.A.)
- 68. FENDER (EXCEPT U.S.A.)
- 69. SEAT (U.S.A.)
- 70. SEAT (FRANCE)
- 71. SEAT (EXCEPT FRANCE & U.S.A.)
- 72. LABELS (U.S.A.)

Fig. No. Fig. Name

- 73. LABELS (FRANCE)
- 74. LABELS (EUROPE)
- 75. LABELS (ENGLAND)
- 76. LABELS (SCANDINAVIA)
- 77. THREE-POINT HITCH
- 78. DRAWBAR(EXCEPT ENGLAND)
- 79. DRAWBAR (ENGLAND)
- 80. AG TIRES(FOR YM226,FRANCE)
- 81. AG TIRES(FOR YM226,STANDARD)
- 82. AG TIRES(FOR YM226D,FRANCE)
- 83. AG TIRES(FOR YM226D,STANDARD)
- 84. TURF-TIRES(STANDARD)
- 85. TURF-TIRES (FRANCE)
- 86. TURF-TIRES(STANDARD)
- 87. TURF-TIRES (FRANCE)
- 88. FRONT POWER TAKE OFF
- 89. FRONT & REAR WHEEL WEIGHT
- 90. TOOLS
- 91. HEATER(USA ONLY)
- 92. AG TIRES(FOR YM226,USA)
- 93. AG TIRES(FOR YM226D,USA)
- 94. TURF-TIRES(USA)
- 95. ROLL BAR(USA ONLY)

Fig.1. CYLINDER BLOCK

Fig. 1 CYLINDER BLOCK



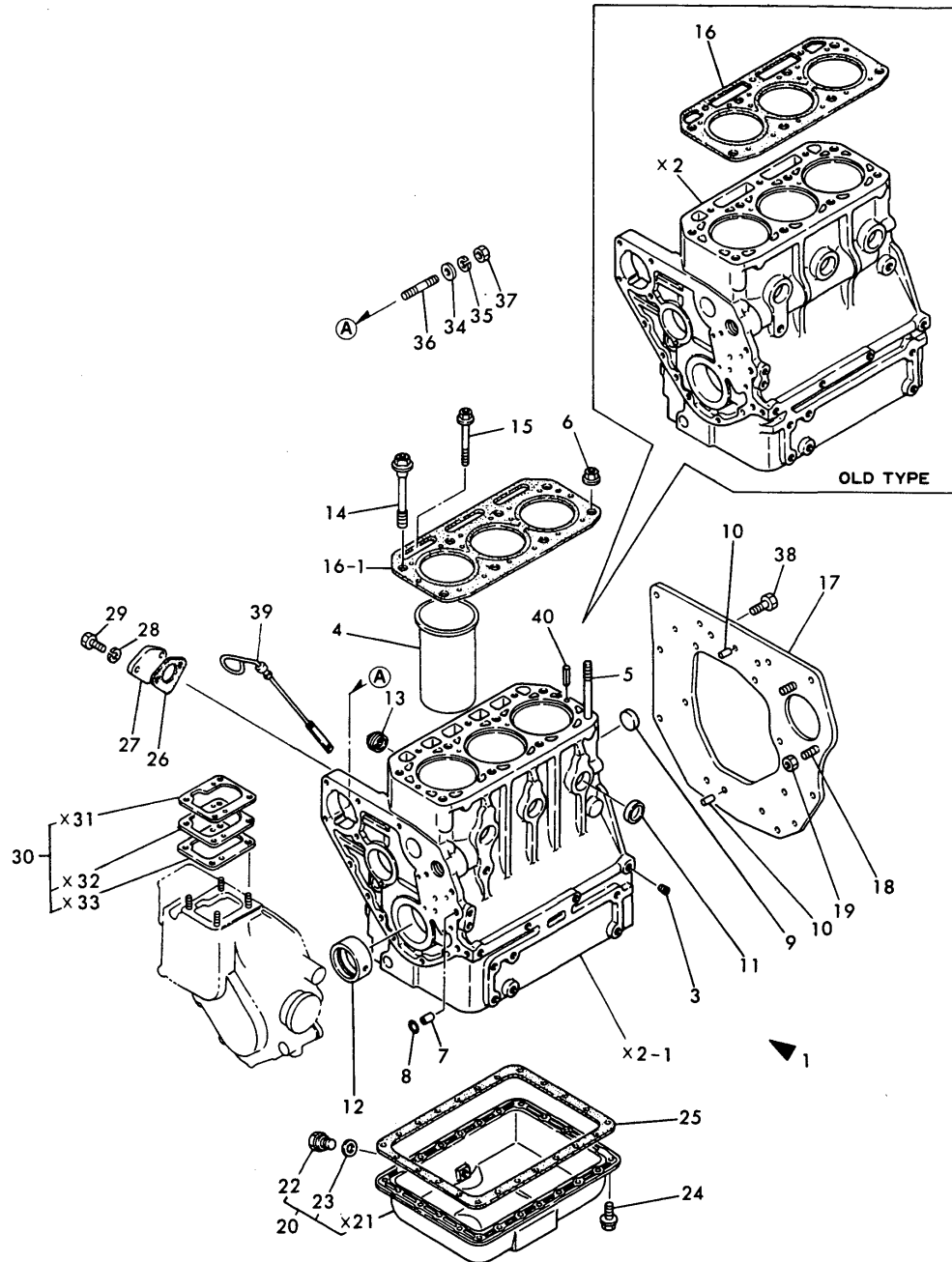
(A)=3T75HA
(B)=3T75HA-F
(C)=3T75HA-S

(D)=
(E)=
(F)=

| No. | Lev. | Parts No. | Description | Qty | | | | | | I | R |
|------|------|--------------|----------------------|-----|-----|-----|-----|-----|-----|---|---|
| | | | | (A) | (B) | (C) | (D) | (E) | (F) | | |
| 1 | 1 | 721554-01561 | BLOCK ASSY, CYLINDER | 1 | 1 | 1 | | | | | |
| 3 | 2 | 124060-01050 | PLUG, PT1/8 | 8 | 8 | 8 | | | | | |
| 4 | 2 | 121551-01100 | LINER, CYLINDER | 3 | 3 | 3 | | | | | |
| 5 | 2 | 121450-01210 | BOLT, HEAD | 2 | 2 | 2 | | | | | |
| 6 | 2 | 121450-01220 | NUT, CYLINDER HEAD | 2 | 2 | 2 | | | | | |
| 7 | 2 | 105225-01900 | GUIDE | 2 | | | | | | | |
| 7-1 | 2 | 124085-01900 | GUIDE | 2 | 2 | 2 | | | | | N |
| 8 | 2 | 24311-000100 | O-RING, 1AP10.0 | 2 | 2 | 2 | | | | | |
| 9 | 2 | 121450-01990 | PLUG, 30 | 1 | 1 | 1 | | | | | |
| 10 | 2 | 22312-080160 | PIN, PARALLEL M8X16 | 2 | 2 | 2 | | | | | |
| 11 | 2 | 27241-300000 | PLUG 30 | 5 | 5 | | | | | | |
| 11-1 | 2 | 27243-300000 | PLUG, 30 | 5 | 5 | 5 | | | | | N |
| 11-2 | 2 | 27241-300000 | PLUG 30 | 5 | 5 | 5 | | | | | N |
| 12 | 2 | 121520-02100 | BEARING, MAIN | 1 | 1 | 1 | | | | | |
| 13 | 2 | 121750-01920 | PLUG, NPTF1 | 2 | 2 | | | | | | |
| 13-1 | 2 | 171051-01921 | PLUG, NPTF1 | 2 | 2 | 2 | | | | | N |
| 14 | 1 | 121550-01200 | BOLT, HEAD | 6 | 6 | 6 | | | | | |
| 15 | 1 | 129350-01230 | BOLT, HEAD | 3 | 3 | 3 | | | | | |
| 16 | 1 | 121550-01330 | GASKET, HEAD | 1 | 1 | | | | | | |
| 16-1 | 1 | 121550-01331 | GASKET, HEAD | 1 | 1 | 1 | | | | | N |
| 17 | 1 | 129350-01600 | FLANGE, MOUNTING | 1 | 1 | 1 | | | | | |
| 18 | 1 | 124450-01610 | STUD | 2 | 2 | 2 | | | | | |
| 19 | 1 | 26716-120002 | NUT, M12 | 2 | 2 | 2 | | | | | |
| 20 | 1 | 721551-01540 | SUMP ASSY, OIL | 1 | 1 | 1 | | | | | |
| 22 | 2 | 104200-55080 | PLUG, DRAIN | 1 | 1 | 1 | | | | | |
| 23 | 2 | 43400-500450 | SEAL WASHER 12 | 1 | 1 | 1 | | | | | |
| 24 | 1 | 121450-01710 | BOLT, SUMP | 23 | 23 | | | | | | |
| 24-1 | 1 | 26106-060082 | BOLT, M6X 8 PLATED | 23 | 23 | 23 | | | | | N |
| 25 | 1 | 121575-01750 | GASKET, OIL SUMP | 1 | 1 | 1 | | | | | |
| 26 | 1 | 121520-01850 | GASKET | 1 | 1 | 1 | | | | | |
| 26-1 | 1 | 121520-01851 | GASKET | 1 | 1 | 1 | | | | | N |
| 27 | 1 | 121520-01860 | COVER | 1 | 1 | 1 | | | | | |
| 28 | 1 | 22217-060000 | WASHER, SPRING 6 | 2 | 2 | | | | | | Z |
| 29 | 1 | 26116-060182 | BOLT, M6X 18 PLATED | 2 | 2 | | | | | | |
| 29-1 | 1 | 26106-060162 | BOLT, M6X 16 PLATED | 2 | 2 | 2 | | | | | N |
| 30 | 1 | 121450-01951 | SHIM SET, ADJUSTING | 1 | 1 | 1 | | | | | |
| 34 | 1 | 22117-080000 | WASHER, 8 | 4 | 4 | | | | | | Z |
| 35 | 1 | 22217-080000 | WASHER, SPRING 8 | 4 | 4 | 4 | | | | | |
| 36 | 1 | 26216-080302 | STUD, M8X 30 | 4 | 4 | 4 | | | | | |
| 37 | 1 | 26716-080002 | NUT, M8 | 4 | 4 | 4 | | | | | |
| 38 | 1 | 26116-100222 | BOLT, M10X 22 PLATED | 10 | 10 | | | | | | |

Fig.1. CYLINDER BLOCK

Fig. 1 CYLINDER BLOCK



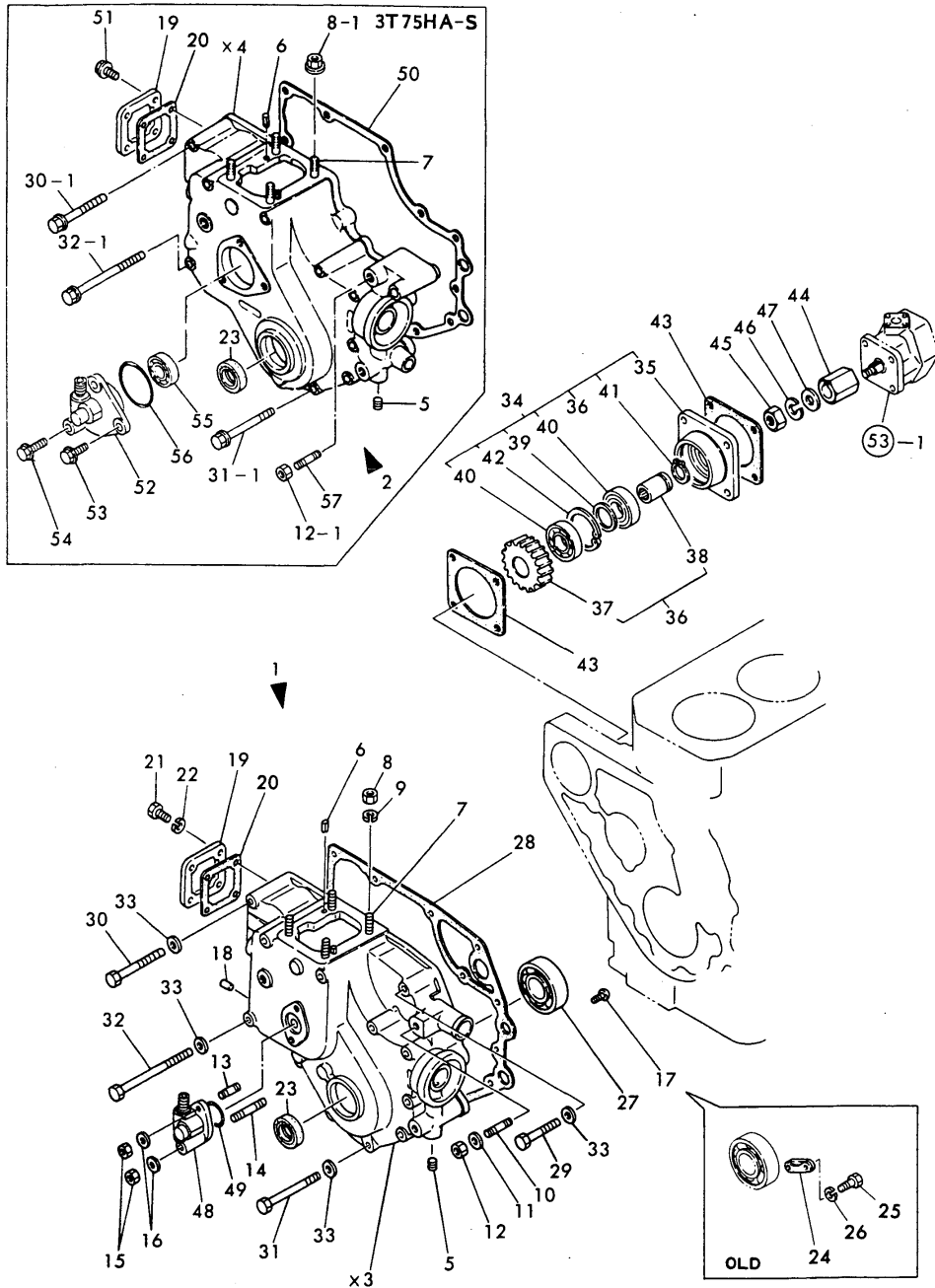
(A)=3T75HA
(B)=3T75HA-F
(C)=3T75HA-S

(D)=
(E)=
(F)=

| No. | Lev. | Parts No. | Description | Qty | | | | | | I | R |
|------|------|--|--------------------|-----|-----|-----|-----|-----|-----|---|---|
| | | | | (A) | (B) | (C) | (D) | (E) | (F) | | |
| 38-1 | 1 | 26206-100222 | BOLT M10X22 | 10 | 10 | 10 | | | | | N |
| | | (A=E/# 86878) (B=E/# 86878) | | | | | | | | | |
| 39 | 1 | 121551-34800 | DIPSTICK, OIL | 1 | 1 | 1 | | | | | |
| 40 | 1 | 22351-060012 | PIN, SPRING 6.0X12 | 2 | 2 | 2 | | | | | W |
| | | (A=*1982.11) (B=*1982.11) (C=FROM 1ST) | | | | | | | | | |

Fig.2. GEAR HOUSING

Fig. 2 GEAR HOUSING



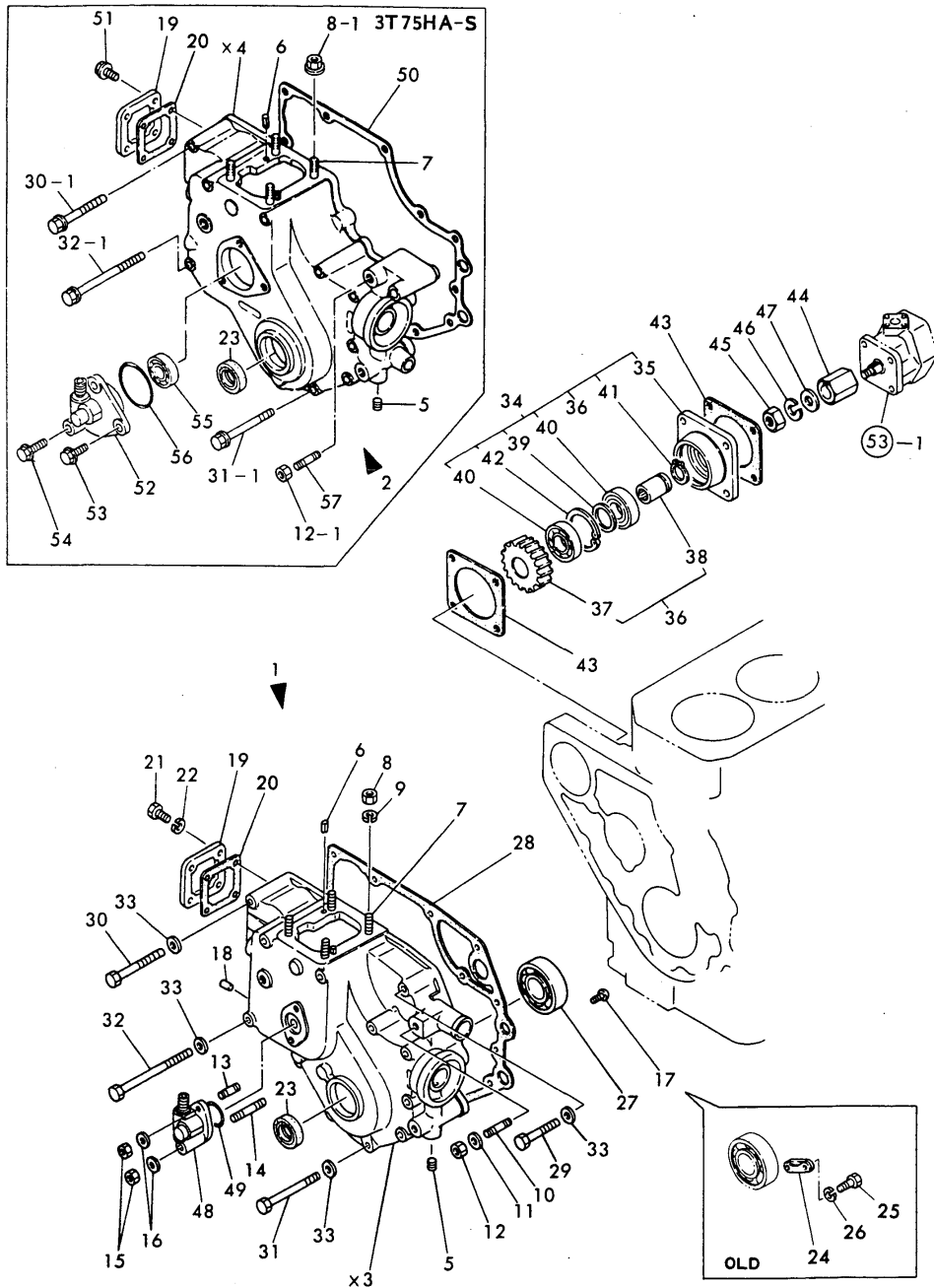
(A)=3T75HA
(B)=3T75HA-F
(C)=3T75HA-S

(D)=
(E)=
(F)=

| No. | Lev. | Parts No. | Description | Qty | | | | | | I | R |
|-----------------------------|------|--------------|----------------------|-----|-----|-----|-----|-----|-----|---|---|
| | | | | (A) | (B) | (C) | (D) | (E) | (F) | | |
| 1 | 1 | 721454-01611 | CASE ASSY, GEAR | 1 | | | | | | | |
| 1-1 | 1 | 721454-01612 | CASE ASSY, GEAR | 1 | 1 | | | | | | N |
| (A=*1981.11) | | | | | | | | | | | |
| 2 | 1 | 721454-01613 | CASE ASSY, GEAR | | | | 1 | | | | |
| 5 | 2 | 124060-01050 | PLUG, PT1/8 | 1 | 1 | 1 | | | | | |
| 6 | 2 | 22351-040010 | PIN, SPRING 4.0X10 | 2 | 2 | 2 | | | | | |
| 7 | 2 | 121450-01560 | STUD, M8X22 | 4 | 4 | 4 | | | | | |
| 8 | 2 | 26716-080002 | NUT, M8 | 4 | 4 | | | | | | |
| 8-1 | 2 | 194990-22050 | NUT, M8 | 4 | 4 | 4 | | | | | N |
| (A=E/# 93876) (B=E/# 93876) | | | | | | | | | | | |
| 9 | 2 | 22217-080000 | WASHER, SPRING 8 | 4 | 4 | | | | | | Z |
| (A=E/# 93876) (B=E/# 93876) | | | | | | | | | | | |
| 10 | 2 | 121450-01570 | STUD | 1 | 1 | | | | | | |
| 11 | 2 | 22117-100000 | WASHER, 10 | 1 | 1 | | | | | | |
| 12 | 2 | 26716-100002 | NUT, M10 | 1 | 1 | | | | | | |
| 12-1 | 2 | 26706-100002 | NUT, M10 | 1 | 1 | | | | | | N |
| (A=*1982.11) (B=*1982.11) | | | | | | | | | | | |
| 13 | 2 | 26216-060142 | STUD, M6X 14 | 1 | 1 | | | | | | |
| 14 | 2 | 26216-060352 | STUD, M6X 35 | 1 | 1 | | | | | | |
| 15 | 2 | 26716-060002 | NUT, M6 | 2 | 2 | | | | | | |
| 15-1 | 2 | 26366-060002 | NUT, M6 | 2 | 2 | | | | | | N |
| (A=*1982.11) (B=*1982.11) | | | | | | | | | | | |
| 16 | 2 | 22117-060000 | WASHER, 6 | 2 | 2 | | | | | | Z |
| (A=*1982.11) (B=*1982.11) | | | | | | | | | | | |
| 17 | 2 | 26587-080102 | SCREW, M8X10 | 1 | 1 | 1 | | | | | W |
| (A=*1981.11) | | | | | | | | | | | |
| 18 | 2 | 121085-01890 | PLUG | 1 | 1 | | | | | | W |
| (A=*1981.11) | | | | | | | | | | | |
| 19 | 1 | 121450-01550 | COVER, BLOCK | 1 | 1 | 1 | | | | | |
| 20 | 1 | 121450-01531 | GASKET | 1 | 1 | 1 | | | | | |
| 21 | 1 | 26116-060122 | BOLT, M6X 12 PLATED | 4 | 4 | | | | | | |
| 21-1 | 1 | 26106-060122 | BOLT, M6X 12 PLATED | 4 | 4 | | | | | | N |
| (A=E/# 86878) (B=E/# 86878) | | | | | | | | | | | |
| 22 | 1 | 22217-060000 | WASHER, SPRING 6 | 4 | 4 | | | | | | Z |
| (A=E/# 86878) (B=E/# 86878) | | | | | | | | | | | |
| 23 | 1 | 121450-01801 | SEAL, TC25408 | 1 | 1 | 1 | | | | | |
| 24 | 1 | 124085-01820 | RETAINER, BEARING | 1 | | | | | | | Z |
| (A=*) | | | | | | | | | | | |
| 25 | 1 | 26116-040102 | BOLT M 4X 10 PLATED | 2 | | | | | | | Z |
| (A=*) | | | | | | | | | | | |
| 26 | 1 | 22217-040000 | WASHER, SPRING 4 | 2 | | | | | | | Z |
| (A=*) | | | | | | | | | | | |
| 27 | 1 | 24101-063050 | BEARING, BALL 6305C3 | 1 | 1 | 1 | | | | | |
| 28 | 1 | 121450-01511 | GASKET, GEAR CASE | 1 | 1 | | | | | | |
| 29 | 1 | 26116-080452 | BOLT, M8X 45 PLATED | 1 | 1 | | | | | | |
| 29-1 | 1 | 26106-080452 | BOLT, M8X 45 PLATED | 1 | 1 | | | | | | N |
| (A=*1982.11) (B=*1982.11) | | | | | | | | | | | |
| 30 | 1 | 26116-080752 | BOLT, M8X 75 PLATED | 2 | 2 | | | | | | |
| 30-1 | 1 | 26106-080752 | BOLT, M8X 75 PLATED | 2 | 2 | 2 | | | | | N |
| (A=*1982.11) (B=*1982.11) | | | | | | | | | | | |
| 31 | 1 | 26116-080852 | BOLT, M8X 85 PLATED | 7 | 7 | | | | | | |

Fig.2. GEAR HOUSING

Fig. 2 GEAR HOUSING



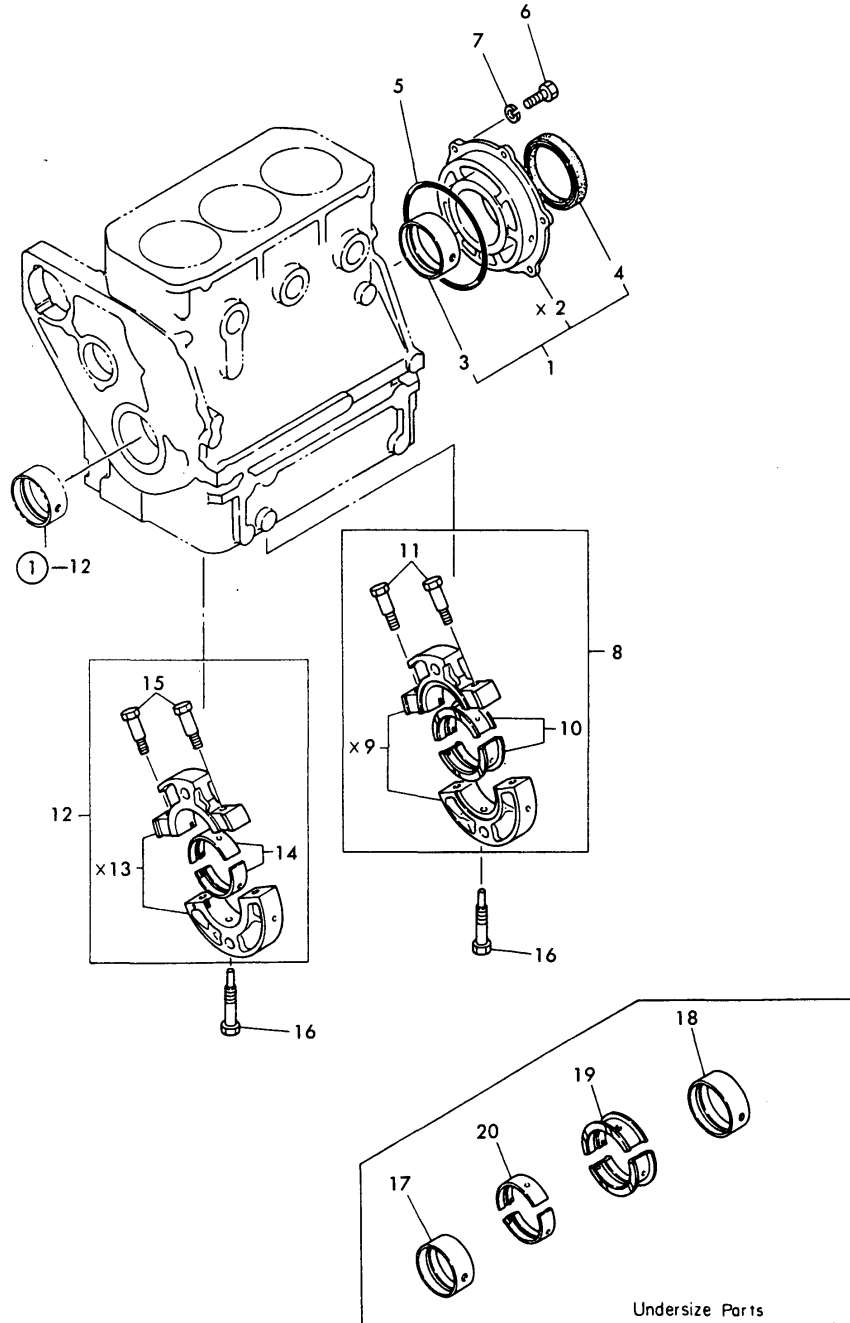
(A)=3T75HA
(B)=3T75HA-F
(C)=3T75HA-S

(D)=
(E)=
(F)=

| No. | Lev. | Parts No. | Description | Qty | | | | | | I | R |
|------|------|---|---------------------|-----|-----|-----|-----|-----|-----|---|---|
| | | | | (A) | (B) | (C) | (D) | (E) | (F) | | |
| 31-1 | 1 | 26106-080852 (A=*1982.11) (B=*1982.11) | BOLT, M8X 85 PLATED | 7 | 7 | 7 | | | | | N |
| 32 | 1 | 26116-081152 | BOLT, M8X115 PLATED | 3 | 3 | | | | | | |
| 32-1 | 1 | 26106-081152 (A=E/# 86878) (B=E/# 86878) | BOLT, M8X115 PLATED | 3 | 3 | 3 | | | | | N |
| 33 | 1 | 22117-080000 (A=*1982.11) (B=*1982.11) | WASHER, 8 | 13 | 13 | | | | | | Z |
| 34 | 1 | 129350-26000 | DRIVE ASSY, PUMP | 1 | 1 | 1 | | | | | |
| 35 | 2 | 129350-26050 | BRACKET, PUMP | 1 | 1 | 1 | | | | | |
| 36 | 2 | 129350-26100 (A=E/# 91265) (B=E/# 91265) (C=FROM 1ST) | SHAFT ASSY, DRIVE | 1 | 1 | 1 | | | | | W |
| 37 | 3 | 129350-26200 | GEAR | 1 | 1 | 1 | | | | | |
| 38 | 3 | 129350-26400 | SHAFT, PUMP DRIVING | 1 | 1 | 1 | | | | | |
| 39 | 2 | 124950-26420 | SPACER | 1 | 1 | 1 | | | | | |
| 40 | 2 | 129350-26490 | BEARING, BALL 16005 | 2 | 2 | 2 | | | | | |
| 41 | 2 | 22242-000250 | RING, 25 | 1 | 1 | 1 | | | | | |
| 42 | 2 | 22252-000470 | RING, 47 | 1 | 1 | 1 | | | | | |
| 43 | 1 | 124240-01882 | GASKET | 2 | 2 | 2 | | | | | |
| 43-1 | 1 | 124240-01883 (A=E/# B0116) (B=E/# B0116) (C=E/# B0116) | GASKET | 2 | 2 | 2 | | | | | N |
| 44 | 1 | 129350-26160 | JOINT | 1 | 1 | 1 | | | | | |
| 45 | 1 | 26716-080002 | NUT, M8 | 1 | 1 | 1 | | | | | |
| 45A | 1 | 194990-22050 (A=E/# 86878) (B=E/# 86878) | NUT, M8 | 1 | 1 | 1 | | | | | W |
| 46 | 1 | 22217-080000 (A=*) (B=*) | WASHER, SPRING 8 | 1 | 1 | 1 | | | | | |
| 47 | 1 | 22117-080000 | WASHER, 8 | 1 | 1 | | | | | | Z |
| 48 | 1 | 121450-91400 | GEAR | 1 | 1 | | | | | | |
| 49 | 1 | 24341-000260 | O-RING, 1AS26.0 | 1 | 1 | | | | | | |
| 50 | 1 | 121575-01510 | GASKET, GEAR CASE | | | | | | | | 1 |
| 51 | 1 | 26106-060102 | BOLT, M6X 10 PLATED | | | | | | | | 4 |
| 52 | 1 | 121456-91400 | GEAR | | | | | | | | 1 |
| 53 | 1 | 121456-91981 | BOLT, M8X16 | | | | | | | | 2 |
| 54 | 1 | 121456-91991 | BOLT, M8X35 | | | | | | | | 1 |
| 55 | 1 | 24101-062024 | BEARING, BALL 6202 | | | | | | | | 1 |
| 56 | 1 | 24341-000460 | O-RING, 1AS46.0 | | | | | | | | 1 |
| 57 | 1 | 26216-100322 | STUD, M10X 32 | | | | | | | | 1 |

Fig.3. MAIN BEARING HOUSING

Fig. 3 MAIN BEARING HOUSING



(A)=3T75HA
(B)=3T75HA-F
(C)=3T75HA-S

(D)=
(E)=
(F)=

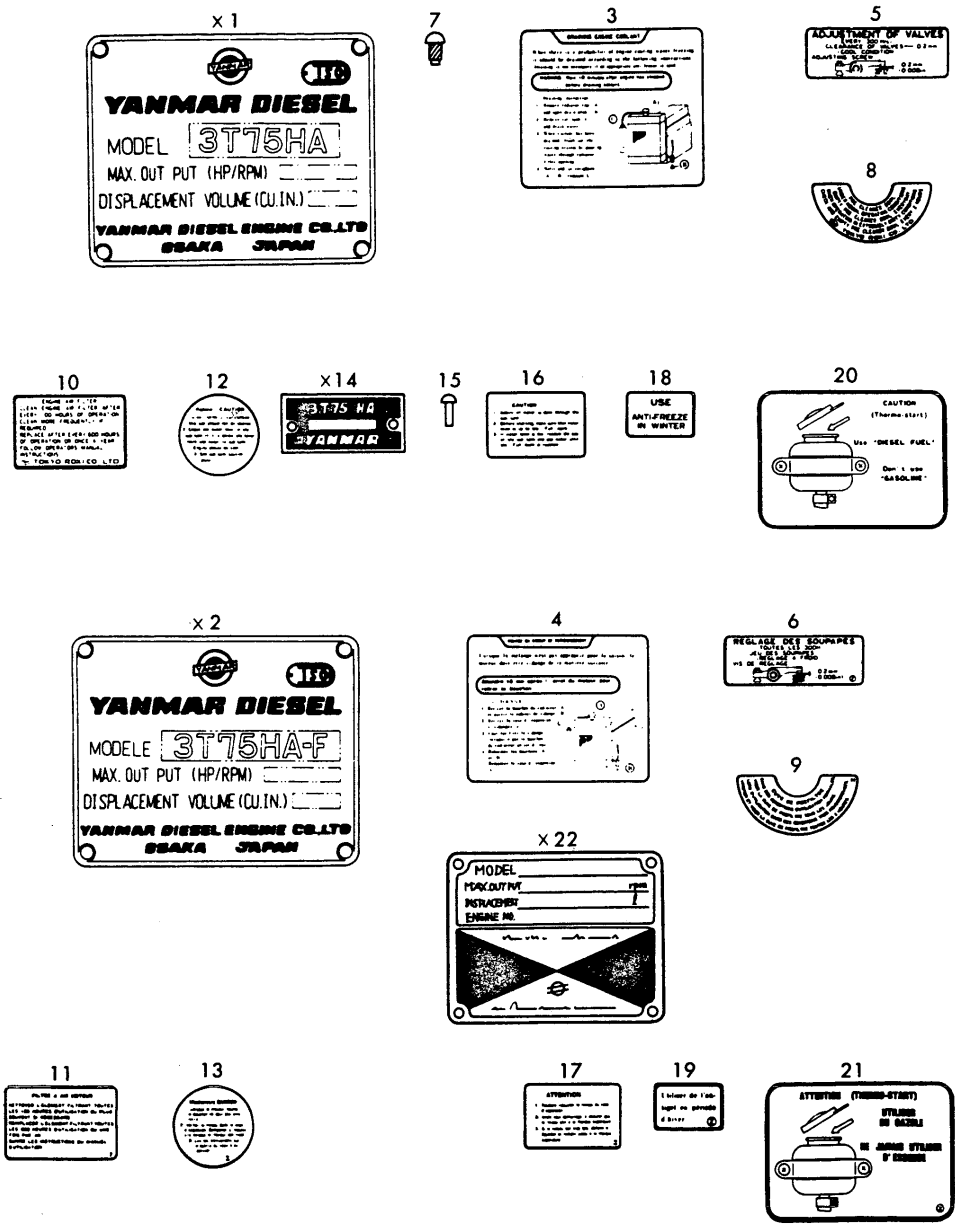
| No. | Lev. | Parts No. | Description | Qty | | | | | | I | R |
|------|------|-----------------------------|---------------------|-----|-----|-----|-----|-----|-----|---|-----|
| | | | | (A) | (B) | (C) | (D) | (E) | (F) | | |
| 1 | 1 | 721550-02500 | HOUSING ASSY, METAL | 1 | 1 | 1 | | | | | |
| 3 | 2 | 121550-02110 | BEARING, MAIN | 1 | 1 | 1 | | | | | |
| 4 | 2 | 121551-02220 | SEAL, OIL | 1 | 1 | 1 | | | | | |
| 5 | 1 | 24341-001350 | O-RING, 1AS135.0 | 1 | 1 | 1 | | | | | |
| 6 | 1 | 26116-080202 | BOLT, M8X 20 PLATED | 6 | 6 | | | | | | |
| 6-1 | 1 | 26013-080202 | BOLT, M8X 20 | 6 | 6 | 6 | | | | | N |
| 7 | 1 | 22217-080000 | WASHER, SPRING 8 | 6 | 6 | | | | | | Z |
| | | (A=E/# 93876) (B=E/# 93876) | | | | | | | | | |
| | | (A=E/# 93876) (B=E/# 93876) | | | | | | | | | |
| 8 | 1 | 721550-02610 | HOUSING ASSY, METAL | 1 | 1 | 1 | | | | | |
| 10 | 2 | 721550-02800 | BEARING, MAIN | 1 | 1 | 1 | | | | | |
| 11 | 2 | 121250-02070 | BOLT | 2 | 2 | 2 | | | | | |
| 12 | 1 | 721550-02620 | HOUSING ASSY, METAL | 1 | 1 | 1 | | | | | |
| 14 | 2 | 721550-02810 | BEARING, MAIN | 1 | 1 | 1 | | | | | |
| 15 | 2 | 121250-02070 | BOLT | 2 | 2 | 2 | | | | | |
| 16 | 1 | 121550-02300 | BOLT | 2 | 2 | 2 | | | | | |
| 17 | 1 | 121520-02310 | BEARING, 0.25 US | 1 | 1 | 1 | | | | | 1 |
| 18 | 1 | 121550-02320 | BEARING, 0.25 US | 1 | 1 | 1 | | | | | 1 |
| 19 | 1 | 721550-02830 | BEARING, 0.25 US | 1 | 1 | | | | | | 1 |
| 19-1 | 1 | 121550-02330 | BEARING, 0.25 US | 1 | 1 | 1 | | | | | N 1 |
| | | (A=*1981.) (B=*1981.) | | | | | | | | | |
| 20 | 1 | 721550-02820 | BEARING, 0.25 US | 1 | 1 | | | | | | 1 |
| 20-1 | 1 | 121550-02350 | BEARING, 0.25 US | 1 | 1 | 1 | | | | | N 1 |
| | | (A=*1981.) (B=*1981.) | | | | | | | | | |

Fig.4. LABELS(FOR ENGINE)

(A)=3T75HA
(B)=3T75HA-F
(C)=3T75HA-S

(D)=
(E)=
(F)=

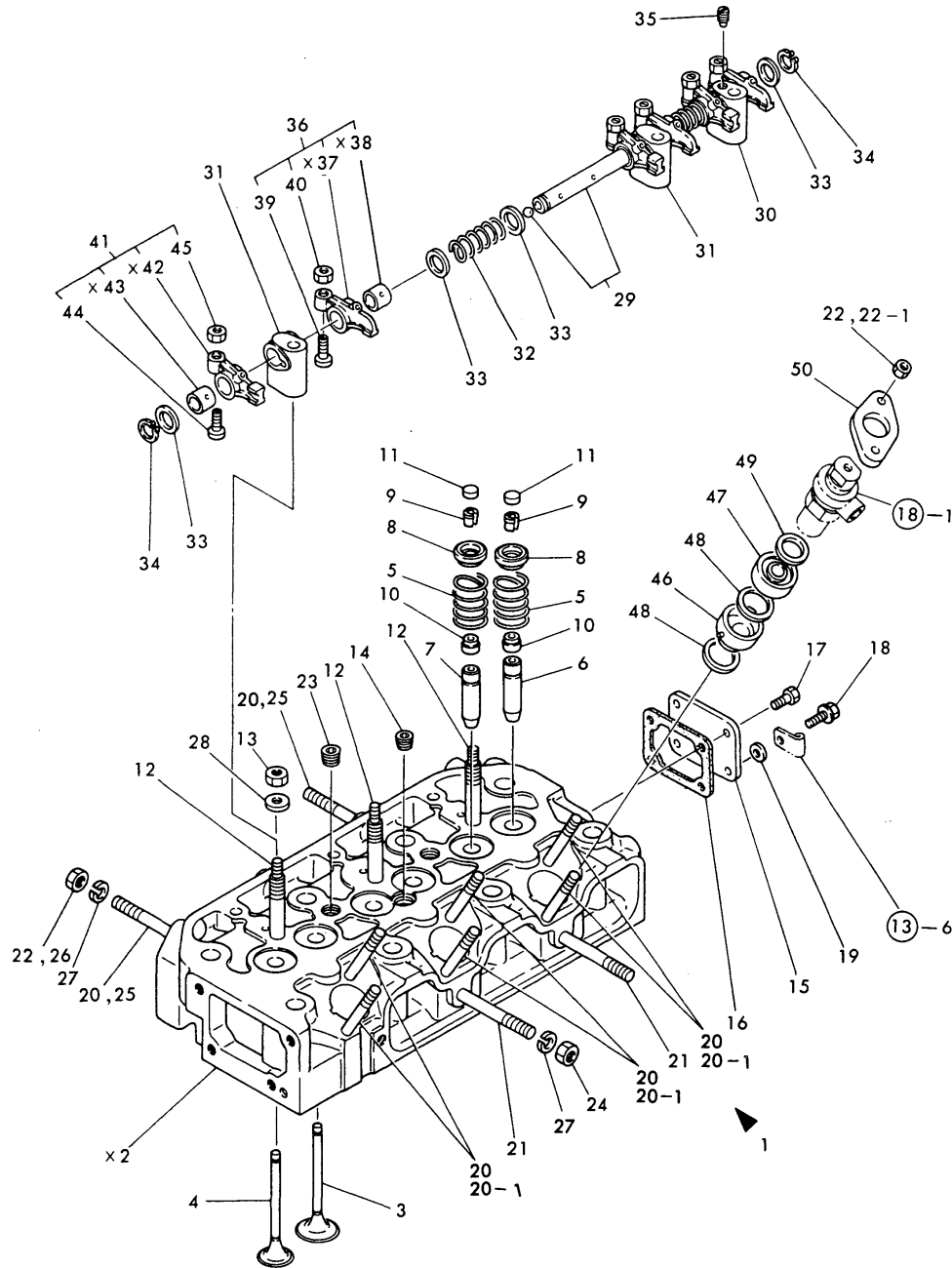
Fig. 4 LABELS [For Engine]



| No. | Lev. | Parts No. | Description | Qty | | | | | | I | R |
|-----|------|--------------|----------------------|-----|-----|-----|-----|-----|-----|---|---|
| | | | | (A) | (B) | (C) | (D) | (E) | (F) | | |
| 3 | 1 | 121254-07150 | LABEL, WATER DRAIN | 1 | | 1 | | | | | |
| 4 | 1 | 121241-07150 | LABEL, WATER DRAIN | | 1 | | | | | | |
| 5 | 1 | 124064-07160 | LABEL, VALVE ADJUST. | 1 | | 1 | | | | | |
| 6 | 1 | 124040-07160 | LABEL, VALVE ADJUST. | | 1 | | | | | | |
| 7 | 1 | 102210-07990 | RIVET | 4 | 4 | 4 | | | | | |
| 8 | 1 | 121454-12480 | LABEL, PRE-CLEANER | 1 | | 1 | | | | | |
| 9 | 1 | 121440-12520 | LABEL, PRE-CLEANER(F | | 1 | | | | | | |
| 10 | 1 | 121454-12520 | LABEL, AIR-CLEANER | 1 | | 1 | | | | | |
| 11 | 1 | 121440-12480 | LABEL, AIR CLEANER(F | | 1 | | | | | | |
| 12 | 1 | 124764-44800 | LABEL, RADIATOR | 1 | | 1 | | | | | |
| 13 | 1 | 124740-44800 | LABEL, RADIATOR | | 1 | | | | | | |
| 15 | 1 | 124220-51890 | RIVET | 2 | 2 | 2 | | | | | |
| 16 | 1 | 124764-44920 | LABEL, ANTI-FREEZING | 1 | | 1 | | | | | |
| 17 | 1 | 124740-44920 | LABEL, ANTI-FREEZING | | 1 | | | | | | |
| 18 | 1 | 124764-44810 | LABEL, RESERVE TANK | 1 | | 1 | | | | | |
| 19 | 1 | 124740-44810 | LABEL, SUB-TANK | | 1 | | | | | | |
| 20 | 1 | 124764-77980 | LABEL, FUEL CAUTION | 1 | | 1 | | | | | |
| 21 | 1 | 124740-77980 | LABEL, FUEL CAUTION | | 1 | | | | | | |

Fig.5. CYLINDER HEAD

Fig. 5 CYLINDER HEAD



(A)=3T75HA
(B)=3T75HA-F
(C)=3T75HA-S

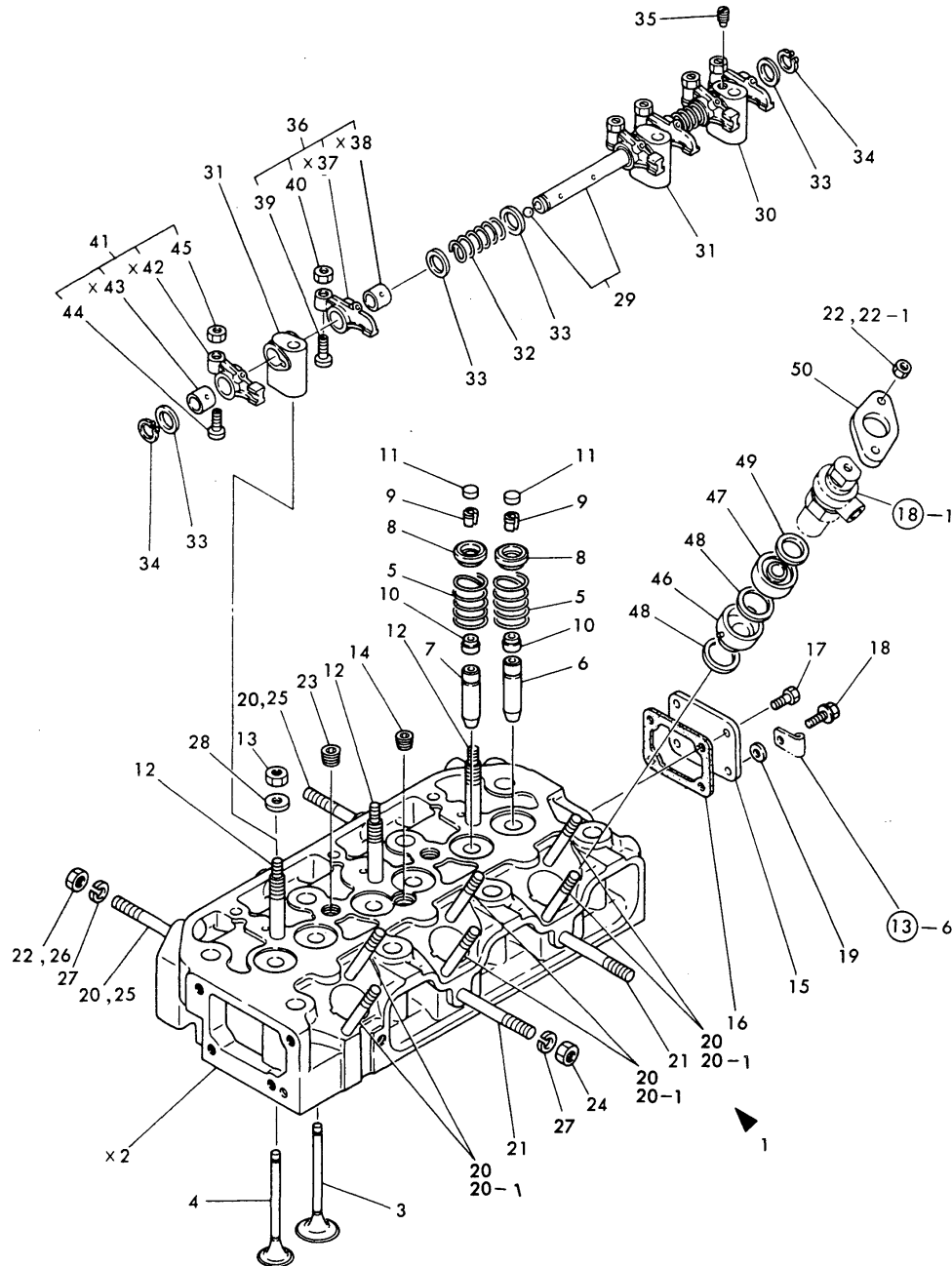
(D)=
(E)=
(F)=

| No. | Lev. | Parts No. | Description | Qty | | | | | | I | R |
|------|------|--|---------------------|-----|-----|-----|-----|-----|-----|---|---|
| | | | | (A) | (B) | (C) | (D) | (E) | (F) | | |
| 1 | 1 | 721522-11700 | HEAD ASSY, CYLINDER | 1 | 1 | | | | | | |
| 1-1 | 1 | 721522-11701 | HEAD ASSY, CYLINDER | 1 | 1 | 1 | | | | | N |
| | | (A=*) (B=*) | | | | | | | | | |
| 3 | 2 | 104211-11100 | VALVE, INTAKE | 3 | 3 | 3 | | | | | |
| 4 | 2 | 104211-11110 | VALVE, EXHAUST | 3 | 3 | 3 | | | | | |
| 5 | 2 | 124060-11120 | SPRING, VALVE | 6 | 6 | 6 | | | | | |
| 6 | 2 | 124060-11160 | GUIDE, VALVE | 3 | 3 | 3 | | | | | |
| 7 | 2 | 124060-11170 | GUIDE, VALVE | 3 | 3 | | | | | | |
| 7-1 | 2 | 128272-11170 | GUIDE, VALVE | 3 | 3 | 3 | | | | | N |
| | | (A=FROM 1ST) (B=FROM 1ST) | | | | | | | | | |
| 8 | 2 | 104200-11180 | RETAINER, SPRING | 6 | 6 | 6 | | | | | |
| 9 | 2 | 101158-11190 | COTTER | 6 | 6 | 6 | | | | | |
| 9-1 | 2 | 27310-070000 | COTTER 7 | 6 | 6 | 6 | | | | | R |
| | | (A=FROM 1ST) (B=FROM 1ST) (C=FROM 1ST) | | | | | | | | | |
| 9-2 | 2 | 27310-070001 | COTTER, 7 | 3 | 3 | 3 | | | | | N |
| | | (A=FROM 1ST) (B=FROM 1ST) (C=FROM 1ST) | | | | | | | | | |
| 10 | 2 | 124950-11340 | SEAL, VALVE STEM | 6 | 6 | 6 | | | | | |
| 11 | 2 | 104211-11370 | CAP, VALVE | 6 | 6 | 6 | | | | | |
| 12 | 2 | 105225-11350 | STUD | 3 | 3 | 3 | | | | | |
| 13 | 2 | 26776-100002 | NUT, LOCK M10 | 3 | 3 | | | | | | |
| 13-1 | 2 | 26696-100002 | NUT, LOCK M10 | 3 | 3 | 3 | | | | | N |
| | | (A=*1982.11) (B=*1982.11) | | | | | | | | | |
| 14 | 2 | 23871-020000 | PLUG, R02 | 1 | 1 | 1 | | | | | |
| 14-1 | 2 | 23873-020000 | PLUG, R02 | 1 | 1 | 1 | | | | | N |
| | | (A=*) (B=*) | | | | | | | | | |
| 15 | 2 | 121450-11670 | COVER, HEAD | 1 | 1 | 1 | | | | | |
| 16 | 2 | 121450-11680 | GASKET | 1 | 1 | 1 | | | | | |
| 17 | 2 | 26116-080122 | BOLT, M8X 12 PLATED | 3 | 3 | | | | | | |
| 17-1 | 2 | 26106-080122 | BOLT, M8X 12 PLATED | 3 | 3 | 3 | | | | | N |
| | | (A=*1982.11) (B=*1982.11) | | | | | | | | | |
| 18 | 2 | 121250-01710 | BOLT, SUMP M8X14 | 1 | 1 | | | | | | |
| 18-1 | 2 | 26106-080142 | BOLT, M8X 14 PLATED | 1 | 1 | 1 | | | | | N |
| | | (A=E/# 89935) (B=E/# 89935) | | | | | | | | | |
| 19 | 2 | 22117-080000 | WASHER, 8 | 1 | 1 | 1 | | | | | |
| 20 | 2 | 26216-080652 | STUD, M8X 65 | 8 | 8 | | | | | | |
| 20-1 | 2 | 26216-080702 | STUD, M8X 70 | 6 | 6 | 6 | | | | | N |
| | | (A=*) (B=*) | | | | | | | | | |
| 21 | 2 | 26216-080602 | STUD, M8X 60 | 2 | 2 | | | | | | |
| 21-1 | 2 | 121450-11550 | STUD, MANIFOLD | 2 | 2 | 2 | | | | | N |
| | | (A=*) (B=*) | | | | | | | | | |
| 22 | 2 | 26716-080002 | NUT, M8 | 8 | 8 | | | | | | |
| 22-1 | 2 | 121465-11950 | NUT | 6 | 6 | 6 | | | | | N |
| | | (A=E/# 86878) (B=E/# 86878) | | | | | | | | | |
| 23 | 2 | 23871-030000 | PLUG, R03 | 2 | 2 | | | | | | |
| 23-1 | 2 | 23873-030000 | PLUG, R03 | 2 | 2 | 2 | | | | | N |
| | | (A=*) (B=*) | | | | | | | | | |
| 24 | 2 | 26716-080002 | NUT, M8 | 2 | 2 | | | | | | |
| 24-1 | 2 | 26366-080002 | NUT, M8 | 2 | 2 | 2 | | | | | N |
| | | (A=*1982.11) (B=*1982.11) | | | | | | | | | |
| 25 | 2 | 26216-080652 | STUD, M8X 65 | 2 | 2 | 2 | | | | | W |
| | | (A=*1982.11) (B=*1982.11) | | | | | | | | | |

N:Old $\xrightarrow{\text{Yes}}$ New, Q:Old $\xrightarrow{\text{No}}$ New, R:Old $\xrightarrow{\text{Yes}}$ New, S:Old $\xrightarrow{\text{No}}$ New, W:Add, Z:Discontinued, F:Interchangeable by set, K:Q'ty Change
 ++ CONTINUE ++
 Copyright (C) YANMAR CO., LTD. All Rights Reserved.

Fig.5. CYLINDER HEAD

Fig. 5 CYLINDER HEAD



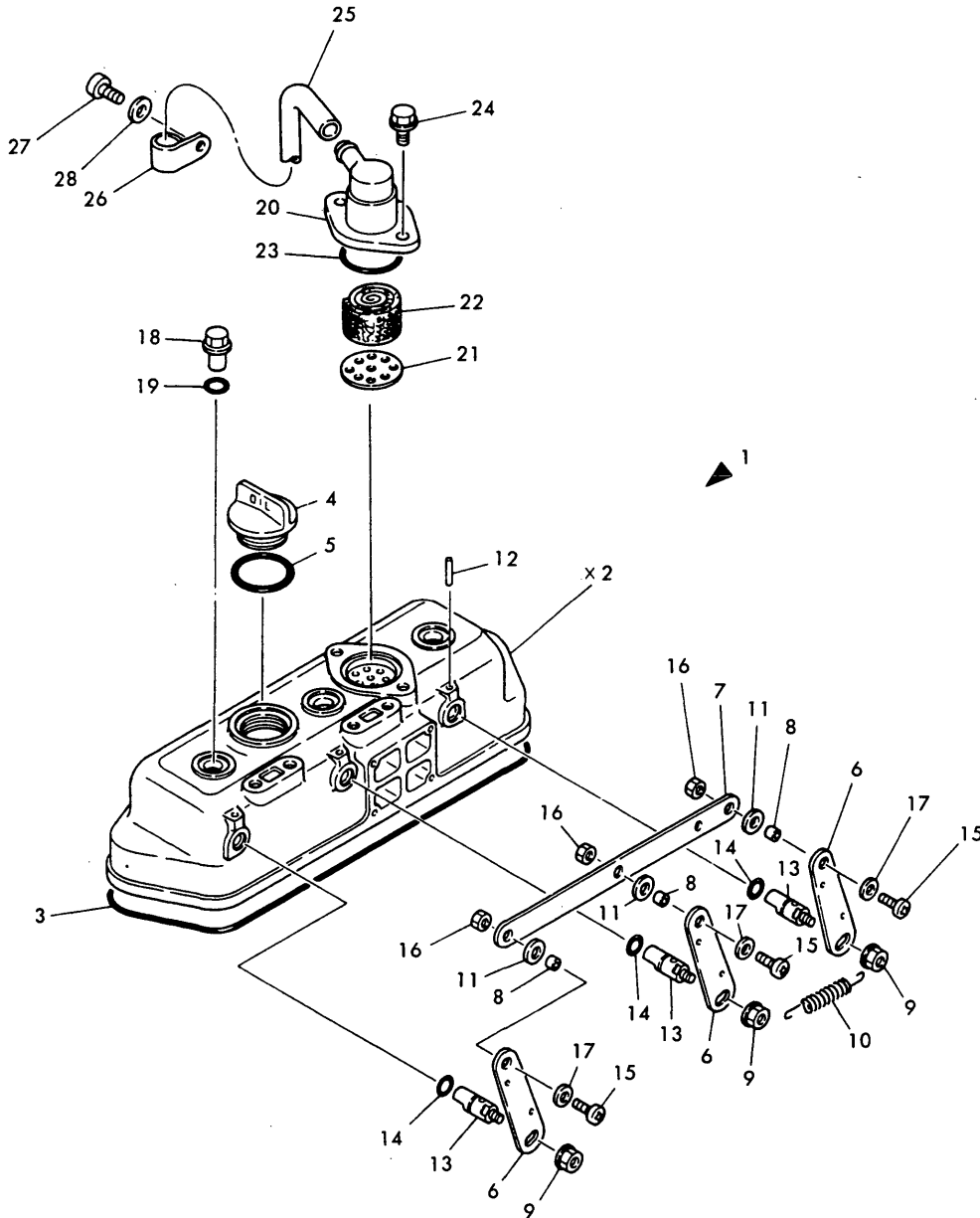
(A)=3T75HA
(B)=3T75HA-F
(C)=3T75HA-S

(D)=
(E)=
(F)=

| No. | Lev. | Parts No. | Description | Qty | | | | | | I | R |
|-----|------|---------------------------|---------------------|-----|-----|-----|-----|-----|-----|---|---|
| | | | | (A) | (B) | (C) | (D) | (E) | (F) | | |
| 26 | 2 | 26366-080002 | NUT, M8 | 2 | 2 | 2 | | | | | W |
| | | (A=*1982.11) (B=*1982.11) | | | | | | | | | |
| 27 | 1 | 22217-080000 | WASHER, SPRING 8 | 4 | 4 | | | | | | Z |
| | | (A=*1982.11) (B=*1982.11) | | | | | | | | | |
| 28 | 1 | 22137-100000 | WASHER, 10 | 3 | 3 | 3 | | | | | |
| 29 | 1 | 121550-11240 | SHAFT ASSY, ROCKER | 1 | 1 | 1 | | | | | |
| 30 | 1 | 121450-11260 | SUPPORT, ROCKER ARM | 1 | 1 | 1 | | | | | |
| 31 | 1 | 121450-11270 | SUPPORT, ROCKER ARM | 2 | 2 | 2 | | | | | |
| 32 | 1 | 121550-11280 | SPRING | 2 | 2 | 2 | | | | | |
| 33 | 1 | 121550-11290 | WASHER | 6 | 6 | 6 | | | | | |
| 34 | 1 | 22242-000140 | RING, 14 | 2 | 2 | 2 | | | | | |
| 35 | 1 | 26921-080102 | SCREW, M8X10 | 1 | 1 | 1 | | | | | |
| 36 | 1 | 721450-11650 | ARM ASSY, ROCKER | 3 | 3 | 3 | | | | | |
| 39 | 2 | 101158-11230 | SCREW, VALVE ADJUST | 3 | 3 | 3 | | | | | |
| 40 | 2 | 26756-080002 | NUT, LOCK M8 | 3 | 3 | 3 | | | | | |
| 41 | 1 | 721450-11660 | ARM ASSY, ROCKER | 3 | 3 | 3 | | | | | |
| 44 | 2 | 101158-11230 | SCREW, VALVE ADJUST | 3 | 3 | 3 | | | | | |
| 45 | 2 | 26756-080002 | NUT, LOCK M8 | 3 | 3 | 3 | | | | | |
| 46 | 1 | 121550-11400 | CHAMBER | 3 | 3 | 3 | | | | | |
| 47 | 1 | 121550-11411 | CHAMBER | 3 | 3 | 3 | | | | | |
| 48 | 1 | 121550-11451 | GASKET, CHAMBER | 6 | 6 | 6 | | | | | |
| 49 | 1 | 103854-11490 | INSULATOR | 3 | 3 | 3 | | | | | |
| 50 | 1 | 101147-11900 | RETAINER | 3 | 3 | 3 | | | | | |

Fig.6. BONNET & AIR BREATHER

Fig. 6 BONNET & AIR BREATHER



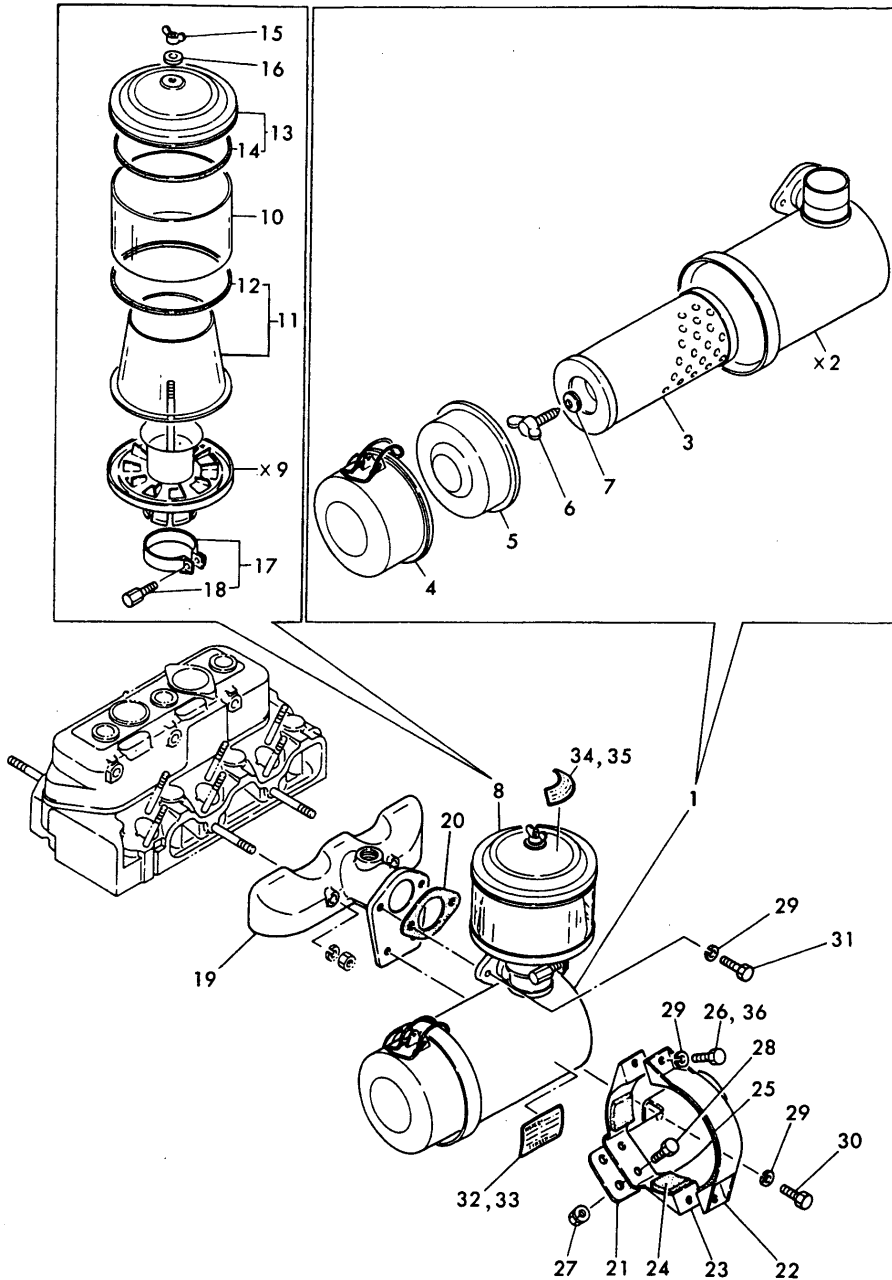
(A)=3T75HA
(B)=3T75HA-F
(C)=3T75HA-S

(D)=
(E)=
(F)=

| No. | Lev. | Parts No. | Description | Qty | | | | | | I | R |
|------|------|-----------------------------|----------------------|-----|-----|-----|-----|-----|-----|---|---|
| | | | | (A) | (B) | (C) | (D) | (E) | (F) | | |
| 1 | 1 | 721551-11520 | BONNET ASSY, HEAD | 1 | 1 | 1 | | | | | |
| 3 | 2 | 121550-11310 | GASKET, BONNET | 1 | 1 | 1 | | | | | |
| 4 | 2 | 124160-01751 | COVER, FILLER | 1 | 1 | 1 | | | | | |
| 5 | 2 | 121420-01760 | O-RING | 1 | 1 | | | | | | |
| 5-1 | 2 | 24311-000320 | O-RING, 1AP32.0 | 1 | 1 | 1 | | | | | N |
| | | (A=E/# 93876) (B=E/# 93876) | | | | | | | | | |
| 6 | 2 | 121462-03740 | LEVER, DECOMPRESSION | 3 | 3 | 3 | | | | | |
| 7 | 2 | 121550-03760 | CONNECTOR | 1 | 1 | 1 | | | | | |
| 8 | 2 | 121450-03770 | COLLAR | 3 | 3 | 3 | | | | | |
| 9 | 2 | 160260-01800 | NUT, M6 | 3 | 3 | | | | | | |
| 9-1 | 2 | 26366-060002 | NUT, M6 | 3 | 3 | 3 | | | | | N |
| | | (A=E/# 86878) (B=E/# 86878) | | | | | | | | | |
| 10 | 2 | 104104-67300 | SPRING, RETURN | 1 | 1 | 1 | | | | | |
| 11 | 2 | 23418-080000 | GASKET, 8X1.0 | 3 | 3 | 3 | | | | | |
| 12 | 2 | 22312-030220 | PIN, PARALLEL M3X22 | 3 | 3 | 3 | | | | | |
| 13 | 2 | 121450-03610 | SHAFT, DECOMPRESSION | 3 | 3 | 3 | | | | | |
| 14 | 2 | 24311-000070 | O-RING, 1AP7.0 | 3 | 3 | 3 | | | | | |
| 15 | 2 | 26557-050122 | SCREW, M5X12 | 3 | 3 | 3 | | | | | |
| 16 | 2 | 26756-050002 | NUT, LOCK M5 | 3 | 3 | 3 | | | | | |
| 17 | 2 | 22117-050000 | WASHER, 5 | 3 | 3 | 3 | | | | | |
| 18 | 1 | 124160-11360 | KNOB | 3 | 3 | 3 | | | | | |
| 19 | 1 | 24311-000120 | O-RING, 1AP12.0 | 3 | 3 | 3 | | | | | |
| 20 | 1 | 121450-03011 | BODY, BREATHER | 1 | 1 | | | | | | |
| 20-1 | 1 | 121450-03012 | BODY, BREATHER | 1 | 1 | 1 | | | | | N |
| | | (A=*1982.10) (B=*1982.10) | | | | | | | | | |
| 21 | 1 | 121450-03020 | BODY, BREATHER | 1 | 1 | 1 | | | | | |
| 22 | 1 | 121450-03030 | WOOL, STEEL | 1 | 1 | 1 | | | | | |
| 23 | 1 | 24341-000400 | O-RING, 1AS40.0 | 1 | 1 | 1 | | | | | |
| 24 | 1 | 121250-01710 | BOLT, SUMP M8X14 | 2 | 2 | | | | | | |
| 24-1 | 1 | 26106-080162 | BOLT, M8X 16 PLATED | 2 | 2 | 2 | | | | | N |
| | | (A=E/# 86878) (B=E/# 86878) | | | | | | | | | |
| 25 | 1 | 23065-120500 | PIPE, 12X 500 | 1 | 1 | 1 | | | | | |
| 26 | 1 | 124160-01650 | CLAMP, PIPE | 1 | 1 | 1 | | | | | |
| 27 | 1 | 26557-080102 | SCREW, M8X10 | 1 | 1 | | | | | | |
| 27-1 | 1 | 26106-080102 | BOLT, M8X 10 PLATED | 1 | 1 | 1 | | | | | N |
| | | (A=E/# 87718) (B=E/# 87718) | | | | | | | | | |
| 28 | 1 | 22117-080000 | WASHER, 8 | 1 | 1 | | | | | | Z |
| | | (A=E/# 87718) (B=E/# 87718) | | | | | | | | | |

Fig.7. AIR CLEANER

Fig. 7 AIR CLEANER



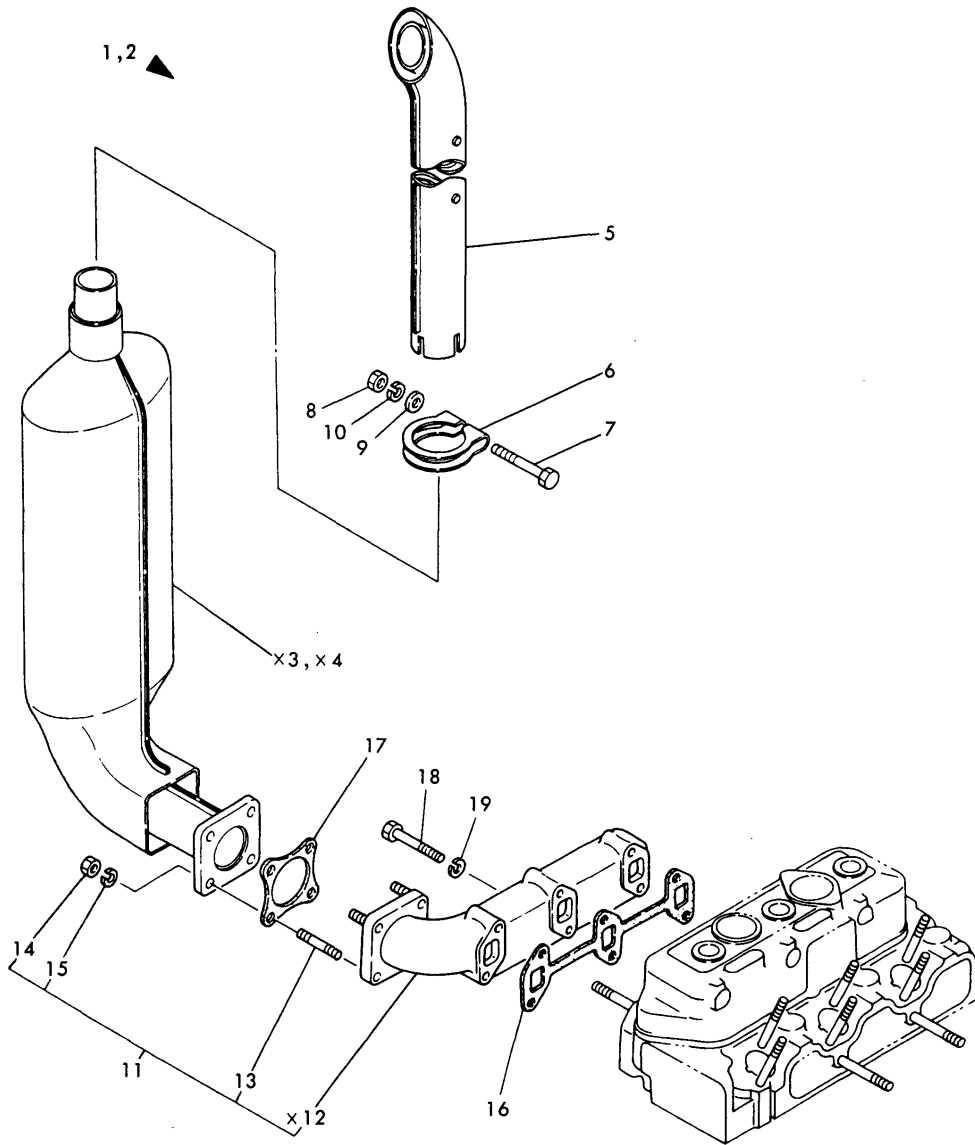
(A)=3T75HA
(B)=3T75HA-F
(C)=3T75HA-S

(D)=
(E)=
(F)=

| No. | Lev. | Parts No. | Description | Qty | | | | | | I | R |
|------|------|--------------|----------------------|-----|-----|-----|-----|-----|-----|---|---|
| | | | | (A) | (B) | (C) | (D) | (E) | (F) | | |
| 1 | 1 | 121454-12300 | CLEANER, AIR | 1 | 1 | 1 | | | | | |
| 3 | 2 | 124064-12510 | ELEMENT | 1 | 1 | 1 | | | | | |
| 4 | 2 | 121454-12660 | PAN, DUST | 1 | 1 | 1 | | | | | |
| 5 | 2 | 124064-12670 | BAFFLE ASSY | 1 | 1 | 1 | | | | | |
| 6 | 2 | 124064-12680 | BOLT | 1 | 1 | 1 | | | | | |
| 7 | 2 | 124064-12690 | WASHER | 1 | 1 | 1 | | | | | |
| 8 | 1 | 124064-12400 | CLEANER ASSY, PRE | 1 | 1 | 1 | | | | | |
| 10 | 2 | 124064-12420 | TUBE | 1 | 1 | 1 | | | | | |
| 11 | 2 | 124064-12470 | CASE | 1 | 1 | 1 | | | | | |
| 12 | 3 | 124064-12430 | GASKET | 1 | 1 | 1 | | | | | |
| 13 | 2 | 124064-12440 | COVER | 1 | 1 | 1 | | | | | |
| 14 | 3 | 124064-12430 | GASKET | 1 | 1 | 1 | | | | | |
| 15 | 2 | 101147-12550 | NUT | 1 | 1 | | | | | | |
| 15-1 | 2 | 124450-12560 | NUT | 1 | 1 | 1 | | | | | N |
| | | (A=*) | (B=*) | | | | | | | | |
| 16 | 2 | 124450-12571 | WASHER | 1 | 1 | 1 | | | | | |
| 17 | 2 | 124064-12450 | CLAMP | 1 | 1 | 1 | | | | | |
| 18 | 3 | 124064-12460 | BOLT | 1 | 1 | 1 | | | | | |
| 19 | 1 | 121554-12100 | MANIFOLD, AIR INTAKE | 1 | 1 | 1 | | | | | |
| 20 | 1 | 124067-12050 | GASKET | 1 | 1 | 1 | | | | | |
| 21 | 1 | 121454-12110 | BRACKET, AIR CLEANER | 1 | 1 | 1 | | | | | |
| 22 | 1 | 124064-12560 | SUPPORT | 1 | 1 | 1 | | | | | |
| 23 | 1 | 121454-12550 | BRACKET | 1 | 1 | 1 | | | | | |
| 24 | 1 | 124064-12570 | SEAT, RUBBER | 2 | 2 | 2 | | | | | |
| 25 | 1 | 124064-12580 | SEAT, RUBBER | 1 | 1 | 1 | | | | | |
| 26 | 1 | 26116-080252 | BOLT, M8X 25 PLATED | 2 | 2 | | | | | | |
| 26-1 | 1 | 26013-080252 | BOLT, M8X 25 | | 2 | | | | | | N |
| | | (B=*1982.11) | | | | | | | | | |
| 27 | 1 | 194990-22050 | NUT, M8 | 2 | 2 | 2 | | | | | |
| 28 | 1 | 26116-080162 | BOLT, M8X 16 PLATED | 2 | 2 | | | | | | |
| 28-1 | 1 | 26106-080162 | BOLT, M8X 16 PLATED | 2 | 2 | 2 | | | | | N |
| | | (A=*1982.11) | (B=*1982.11) | | | | | | | | |
| 29 | 1 | 22217-080000 | WASHER, SPRING 8 | 6 | 6 | | | | | | Z |
| | | (A=*1982.11) | (B=*1982.11) | | | | | | | | |
| 30 | 1 | 26116-080252 | BOLT, M8X 25 PLATED | 2 | 2 | | | | | | |
| 30-1 | 1 | 26013-080252 | BOLT, M8X 25 | 2 | 2 | 2 | | | | | N |
| | | (A=*1982.11) | (B=*1982.11) | | | | | | | | |
| 31 | 1 | 26116-080252 | BOLT, M8X 25 PLATED | 2 | | | | | | | |
| 31-1 | 1 | 26116-080202 | BOLT, M8X 20 PLATED | 2 | 2 | | | | | | N |
| | | (A=*) | | | | | | | | | |
| 31-2 | 1 | 26013-080252 | BOLT, M8X 25 | 2 | 2 | 2 | | | | | N |
| | | (A=*1982.11) | (B=*1982.11) | | | | | | | | |
| 32 | 1 | 121454-12520 | LABEL, AIR-CLEANER | 1 | | 1 | | | | | |
| 33 | 1 | 121440-12480 | LABEL, AIR CLEANER(F | | 1 | | | | | | |
| 34 | 1 | 121454-12480 | LABEL, PRE-CLEANER | 1 | | 1 | | | | | |
| 35 | 1 | 121440-12520 | LABEL, PRE-CLEANER(F | | 1 | | | | | | |
| 36 | 1 | 26013-080202 | BOLT, M8X 20 | 2 | | 2 | | | | | W |
| | | (A=*1982.11) | | | | | | | | | |

Fig.8. SILENCER

Fig. 8 SILENCER



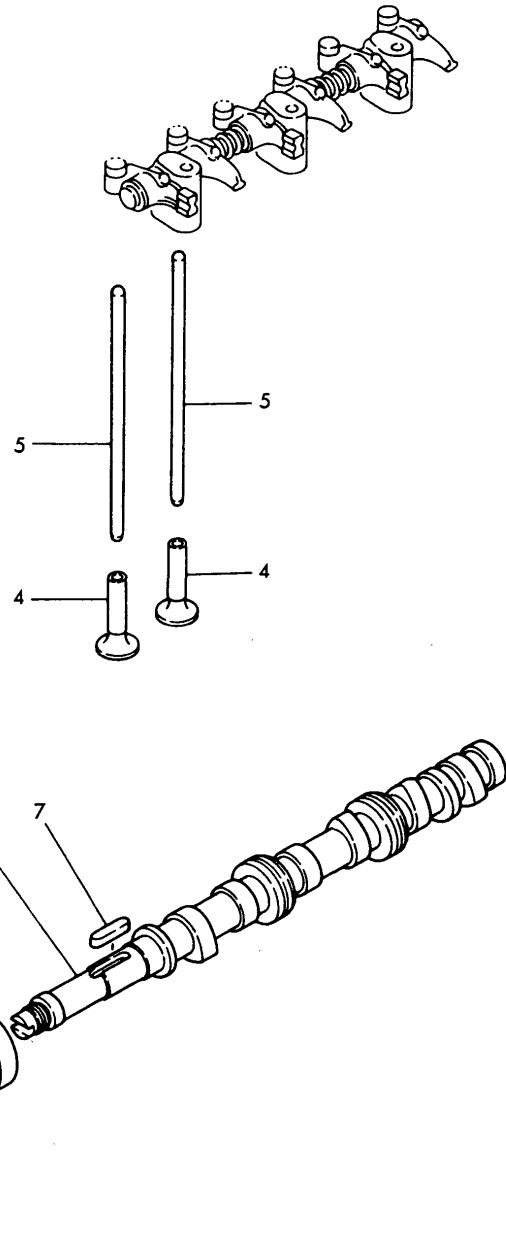
(A)=3T75HA
(B)=3T75HA-F
(C)=3T75HA-S

(D)=
(E)=
(F)=

| No. | Lev. | Parts No. | Description | Q'ty | | | | | | I | R |
|------|------|-----------------------------|----------------------|------|-----|-----|-----|-----|-----|---|---|
| | | | | (A) | (B) | (C) | (D) | (E) | (F) | | |
| 1 | 1 | 129350-13490 | SILENCER ASSY | 1 | | 1 | | | | | |
| 2 | 1 | 121540-13490 | SILENCER ASSY | | 1 | | | | | | |
| 5 | 2 | 124465-13652 | PIPE | 1 | 1 | 1 | | | | | |
| 6 | 2 | 121470-13580 | CLAMP | 1 | 1 | 1 | | | | | |
| 7 | 2 | 26116-100652 | BOLT, M10X 65 PLATED | 1 | 1 | | | | | | |
| 7-1 | 2 | 26106-100652 | BOLT, M10X 65 PLATED | 1 | 1 | 1 | | | | | N |
| | | (A=*1982.11) (B=*1982.11) | | | | | | | | | |
| 8 | 2 | 26716-100002 | NUT, M10 | 1 | 1 | | | | | | |
| 8-1 | 2 | 26706-100002 | NUT, M10 | 1 | 1 | 1 | | | | | N |
| | | (A=*1982.11) (B=*1982.11) | | | | | | | | | |
| 9 | 2 | 22117-100000 | WASHER, 10 | 1 | 1 | | | | | | Z |
| | | (A=*1982.11) (B=*1982.11) | | | | | | | | | |
| 10 | 2 | 22217-100000 | WASHER, SPRING 10 | 1 | 1 | 1 | | | | | |
| 11 | 1 | 721551-13500 | MANIFOLD ASSY | 1 | 1 | 1 | | | | | |
| 13 | 2 | 26216-080222 | STUD, M8X 22 | 4 | 4 | 4 | | | | | |
| 14 | 2 | 26716-080002 | NUT, M8 | 4 | 4 | | | | | | |
| 14-1 | 2 | 26366-080002 | NUT, M8 | 4 | 4 | 4 | | | | | N |
| | | (A=*1982.11) (B=*1982.11) | | | | | | | | | |
| 15 | 2 | 22217-080000 | WASHER, SPRING 8 | 4 | 4 | | | | | | Z |
| | | (A=*1982.11) (B=*1982.11) | | | | | | | | | |
| 16 | 1 | 121550-13520 | GASKET | 1 | 1 | 1 | | | | | |
| 17 | 1 | 121450-13200 | GASKET, SILENCER | 1 | 1 | 1 | | | | | |
| 18 | 1 | 26116-080582 | BOLT M 8X 58 PLATED | 4 | 4 | | | | | | |
| 18-1 | 1 | 121465-13582 | BOLT, M8X58 | 4 | 4 | 4 | | | | | N |
| | | (A=E/# 87329) (B=E/# 87329) | | | | | | | | | |
| 19 | 1 | 22217-080000 | WASHER, SPRING 8 | 4 | 4 | | | | | | Z |
| | | (A=E/# 87329) (B=E/# 87329) | | | | | | | | | |

Fig.9. CAMSHAFT

Fig. 9 CAMSHAFT



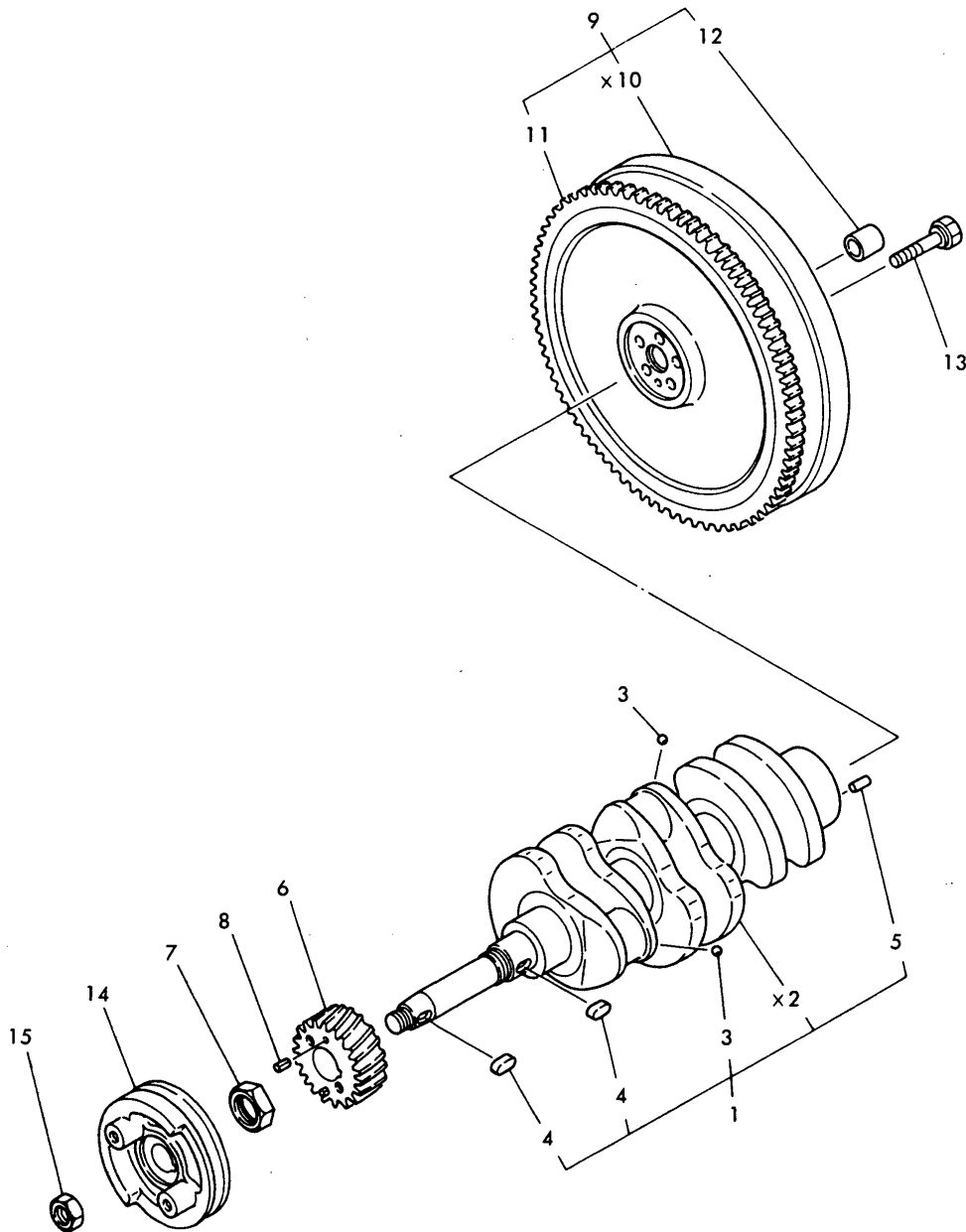
(A)=3T75HA
(B)=3T75HA-F
(C)=3T75HA-S

(D)=
(E)=
(F)=

| No. | Lev. | Parts No. | Description | Qty | | | | | | I | R |
|-----|------|--------------|--------------------|-----|-----|-----|-----|-----|-----|---|---|
| | | | | (A) | (B) | (C) | (D) | (E) | (F) | | |
| 1 | 1 | 121550-14010 | CAMSHAFT | 1 | 1 | 1 | | | | | |
| 2 | 1 | 121450-14090 | CAM, FUEL | 1 | 1 | 1 | | | | | |
| 3 | 1 | 129350-14100 | GEAR, CAMSHAFT | 1 | 1 | 1 | | | | | |
| 4 | 1 | 104200-14200 | TAPPET | 6 | 6 | 6 | | | | | |
| 5 | 1 | 121550-14400 | ROD, PUSH | 6 | 6 | 6 | | | | | |
| 6 | 1 | 104300-76460 | NUT | 1 | | | | | | | |
| 6-1 | 1 | 121450-14120 | NUT | 1 | 1 | 1 | | | | | N |
| | | (A=*) | | | | | | | | | |
| 7 | 1 | 22512-070300 | KEY, 7X 30 | 1 | 1 | 1 | | | | | |
| 8 | 1 | 24101-062054 | BEARING, BALL 6205 | 1 | 1 | 1 | | | | | |
| 9 | 1 | 26587-080122 | SCREW, M8X12 | 1 | 1 | 1 | | | | | |

Fig.10. CRANKSHAFT & FLYWHEEL

Fig. 10 CRANKSHAFT & FLYWHEEL



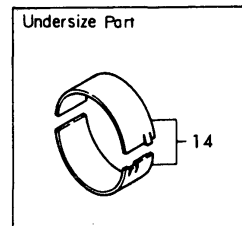
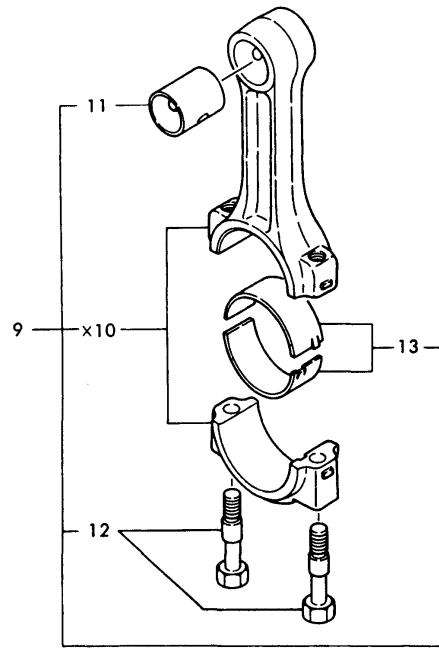
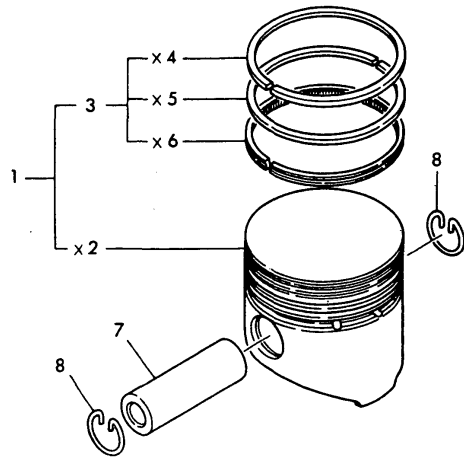
(A)=3T75HA
(B)=3T75HA-F
(C)=3T75HA-S

(D)=
(E)=
(F)=

| No. | Lev. | Parts No. | Description | Qty | | | | | | I | R |
|------|------|--------------|----------------------|-----|-----|-----|-----|-----|-----|---|-----|
| | | | | (A) | (B) | (C) | (D) | (E) | (F) | | |
| 1 | 1 | 721500-21700 | CRANKSHAFT ASSY | 1 | 1 | 1 | | | | | |
| 3 | 2 | 27221-060100 | PLUG, 6X10 | 3 | | | | | | | |
| 3-1 | 2 | 24190-080001 | BALL, STEEL 1/4 | 3 | 3 | 3 | | | | | S |
| 4 | 2 | 22512-070180 | KEY, 7X 18 | 2 | 2 | 2 | | | | | |
| 5 | 2 | 22312-080160 | PIN, PARALLEL M8X16 | 1 | 1 | 1 | | | | | |
| 6 | 1 | 129350-21200 | GEAR, CRANKSHAFT | 1 | 1 | 1 | | | | | |
| 7 | 1 | 121450-21540 | NUT, CRANKSHAFT GEAR | 1 | 1 | | | | | | |
| 7-1 | 1 | 121450-21541 | NUT, CRANKSHAFT GEAR | 1 | 1 | 1 | | | | | S 1 |
| 8 | 1 | 22351-040008 | PIN, SPRING 4.0X 8 | 2 | 2 | 2 | | | | | |
| 9 | 1 | 121551-21590 | FLYWHEEL ASSY | 1 | 1 | 1 | | | | | |
| 11 | 2 | 129350-21600 | GEAR, RING | 1 | 1 | 1 | | | | | |
| 12 | 2 | 124450-21230 | BUSH | 1 | 1 | 1 | | | | | |
| 13 | 1 | 105225-21500 | BOLT, FLYWHEEL | 5 | 5 | | | | | | |
| 13-1 | 1 | 105225-21501 | BOLT, FLYWHEEL | 5 | 5 | 5 | | | | | N |
| 14 | 1 | 121551-21650 | V-PULLEY | 1 | 1 | 1 | | | | | |
| 15 | 1 | 26776-180002 | NUT, LOCK M18 | 1 | 1 | 1 | | | | | |

Fig.11. PISTON & CONNECTING ROD

Fig. 11 PISTON & CONNECTING ROD



(A)=3T75HA
(B)=3T75HA-F
(C)=3T75HA-S

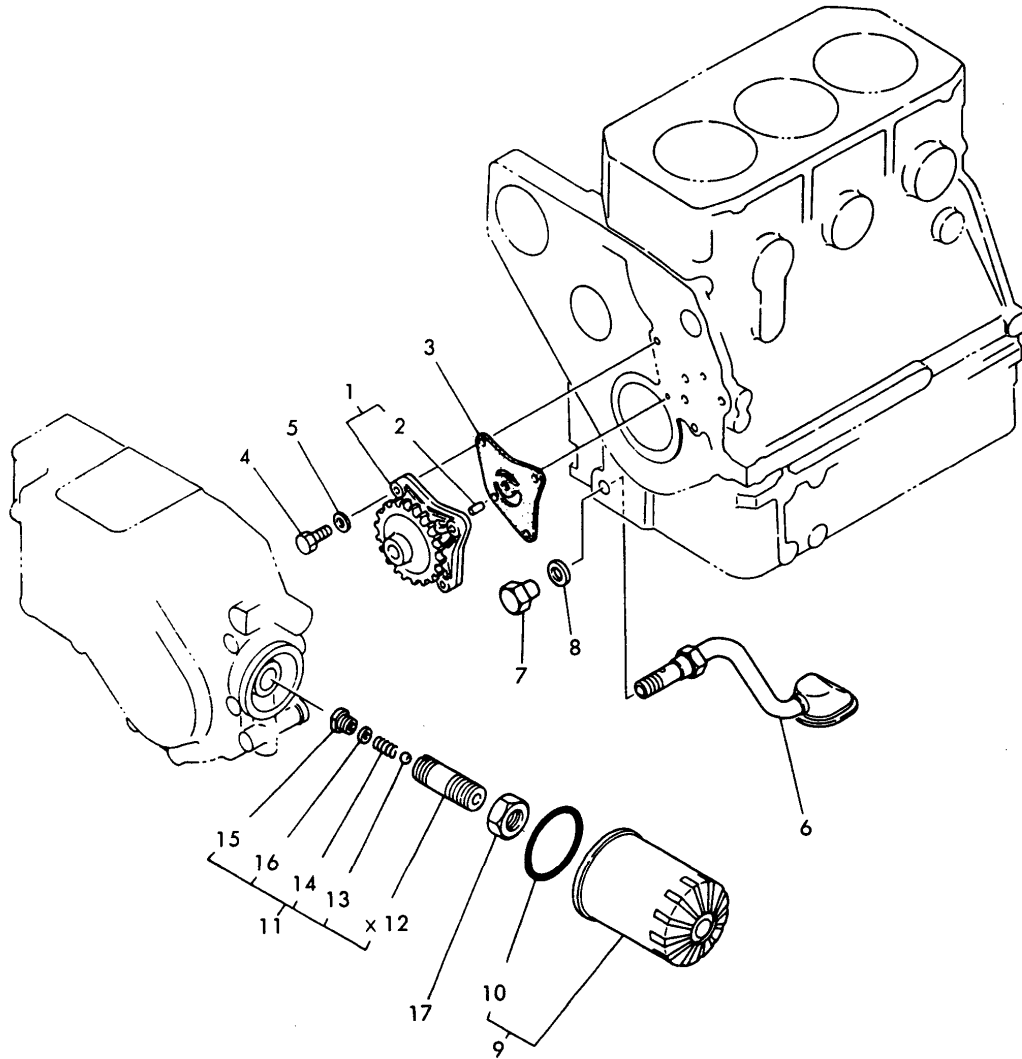
(D)=
(E)=
(F)=

| No. | Lev. | Parts No. | Description | Qty | | | | | | I | R | |
|-----------------------------|------|--------------|----------------------|-----|-----|-----|-----|-----|-----|---|---|---|
| | | | | (A) | (B) | (C) | (D) | (E) | (F) | | | |
| 1 | 1 | 121550-22090 | PISTON ASSY | 3 | 3 | 3 | | | | | | |
| 3 | 2 | 705311-22500 | RING SET, PISTON | 3 | 3 | | | | | | | |
| 3-1 | 2 | 705311-22501 | RING SET, PISTON | 3 | 3 | 3 | | | | | | N |
| (A=E/# 93876) (B=E/# 93876) | | | | | | | | | | | | |
| 7 | 1 | 104200-22300 | PIN, PISTON | 3 | 3 | 3 | | | | | | |
| 8 | 1 | 172100-22400 | CIRCLIP | 6 | 6 | 6 | | | | | | |
| 9 | 1 | 721550-23100 | ROD ASSY, CONNECTING | 3 | 3 | 3 | | | | | | |
| 11 | 2 | 124060-23100 | BEARING, PISTON PIN | 3 | 3 | 3 | | | | | | |
| 12 | 2 | 121550-23200 | BOLT, CONNECTING ROD | 6 | 6 | 6 | | | | | | |
| 13 | 2 | 721550-23600 | BEARING, CRANK PIN | 3 | 3 | 3 | | | | | | |
| 14 | 1 | 121550-23380 | BEARING, 0.25 US | 6 | 6 | 6 | | | | | | 1 |

Remarks
(1) UNDERSIZED(U.S=0.25) PART.

Fig.12. LUBRICATING OIL PUMP

Fig. 12 LUBRICATING OIL PUMP



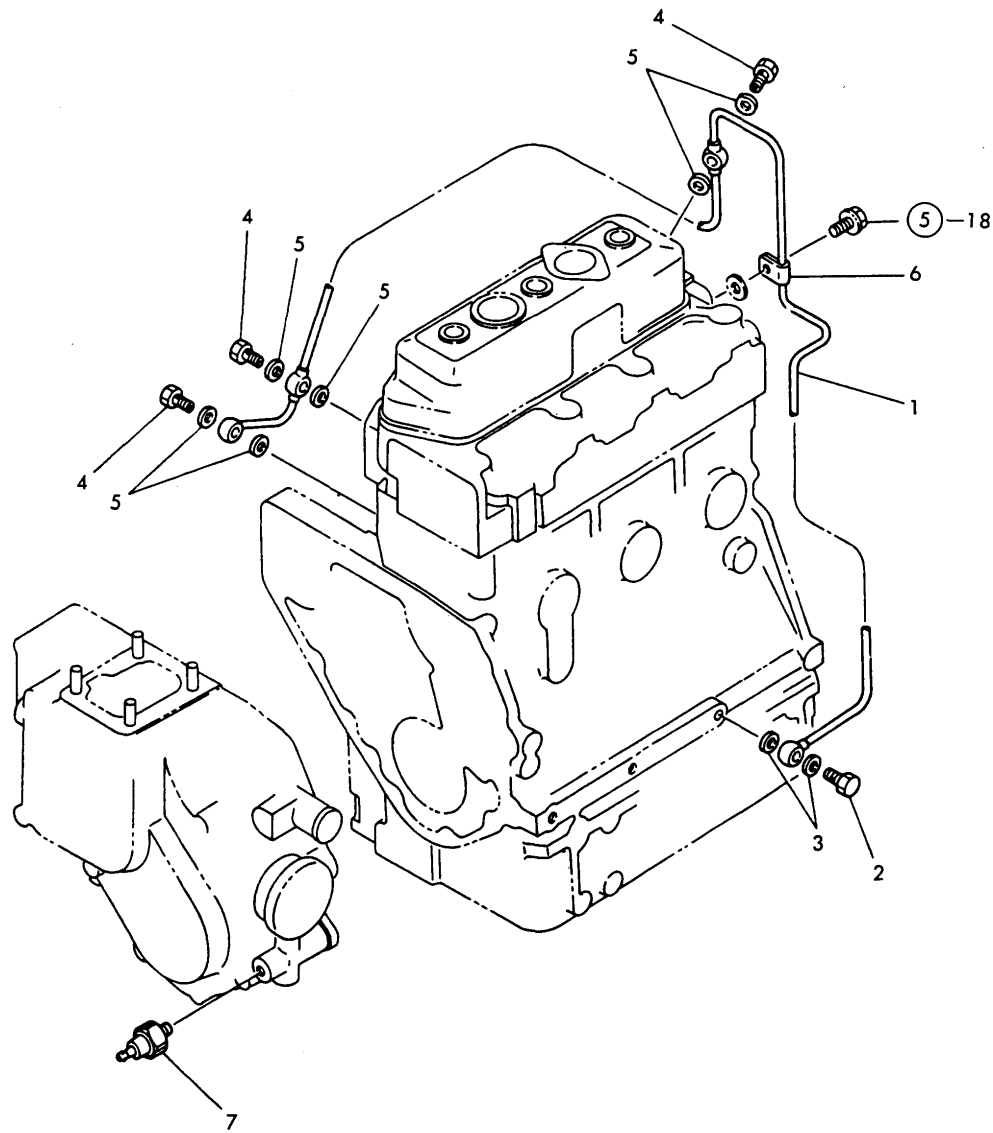
(A)=3T75HA
(B)=3T75HA-F
(C)=3T75HA-S

(D)=
(E)=
(F)=

| No. | Lev. | Parts No. | Description | Qty | | | | | | I | R |
|------|------|--|----------------------|-----|-----|-----|-----|-----|-----|---|---|
| | | | | (A) | (B) | (C) | (D) | (E) | (F) | | |
| 1 | 1 | 129350-32090 | PUMP ASSY, OIL | 1 | 1 | 1 | | | | | |
| 2 | 2 | 121450-32050 | PIN | 1 | 1 | 1 | | | | | |
| 3 | 1 | 121450-32021 | GASKET, PUMP | 1 | 1 | 1 | | | | | |
| 4 | 1 | 26116-060222 | BOLT, M6X 22 PLATED | 3 | 3 | | | | | | |
| 4-1 | 1 | 26013-060222 | BOLT, M6X 22 | 3 | 3 | 3 | | | | | N |
| | | (A=E/# 86878) (B=E/# 86878) | | | | | | | | | |
| 5 | 1 | 22117-060000 | WASHER, 6 | 3 | 3 | | | | | | Z |
| | | (A=E/# 86878) (B=E/# 86878) | | | | | | | | | |
| 6 | 1 | 121550-35090 | PIPE ASSY, OIL INLET | 1 | 1 | | | | | | |
| 6-1 | 1 | 121520-35090 | PIPE ASSY, OIL INLET | 1 | 1 | 1 | | | | | N |
| | | (A=*1982.02) (B=*1982.02) | | | | | | | | | |
| 7 | 1 | 121550-35100 | NUT, CAP PF1/4 | 1 | 1 | 1 | | | | | |
| 8 | 1 | 121550-35110 | GASKET, 18 | 1 | 1 | 1 | | | | | |
| 9 | 1 | 124450-35100 | FILTER, OIL | 1 | 1 | 1 | | | | | |
| 9-1 | 1 | 124550-35110 | ELEMENT | 1 | 1 | 1 | | | | | N |
| | | (A=FROM 1ST) (B=FROM 1ST) (C=FROM 1ST) | | | | | | | | | |
| 10 | 2 | 124450-35110 | O-RING | 1 | 1 | 1 | | | | | |
| 11 | 1 | 121250-35300 | VALVE ASSY, CONTROL | 1 | | | | | | | |
| 11-1 | 1 | 124085-35300 | VALVE ASSY, CONTROL | 1 | 1 | 1 | | | | | N |
| | | (A=*1980.) | | | | | | | | | |
| 13 | 2 | 24190-100001 | BALL, STEEL 5/16 | 1 | 1 | 1 | | | | | |
| 14 | 2 | 121250-35320 | SPRING, VALVE | 1 | 1 | 1 | | | | | |
| 15 | 2 | 121250-35330 | RETAINER, SPRING | 1 | 1 | 1 | | | | | |
| 16 | 2 | 121250-35340 | SHIM | 1 | 1 | 1 | | | | | |
| 17 | 1 | 124450-35350 | NUT, LOCK | 1 | 1 | | | | | | |
| 17-1 | 1 | 124085-35350 | NUT, M20 | 1 | 1 | 1 | | | | | N |
| | | (A=*1981.) (B=*1981.) | | | | | | | | | |

Fig.13. LUBRICATING OIL LINES

Fig. 13 LUBRICATING OIL LINES



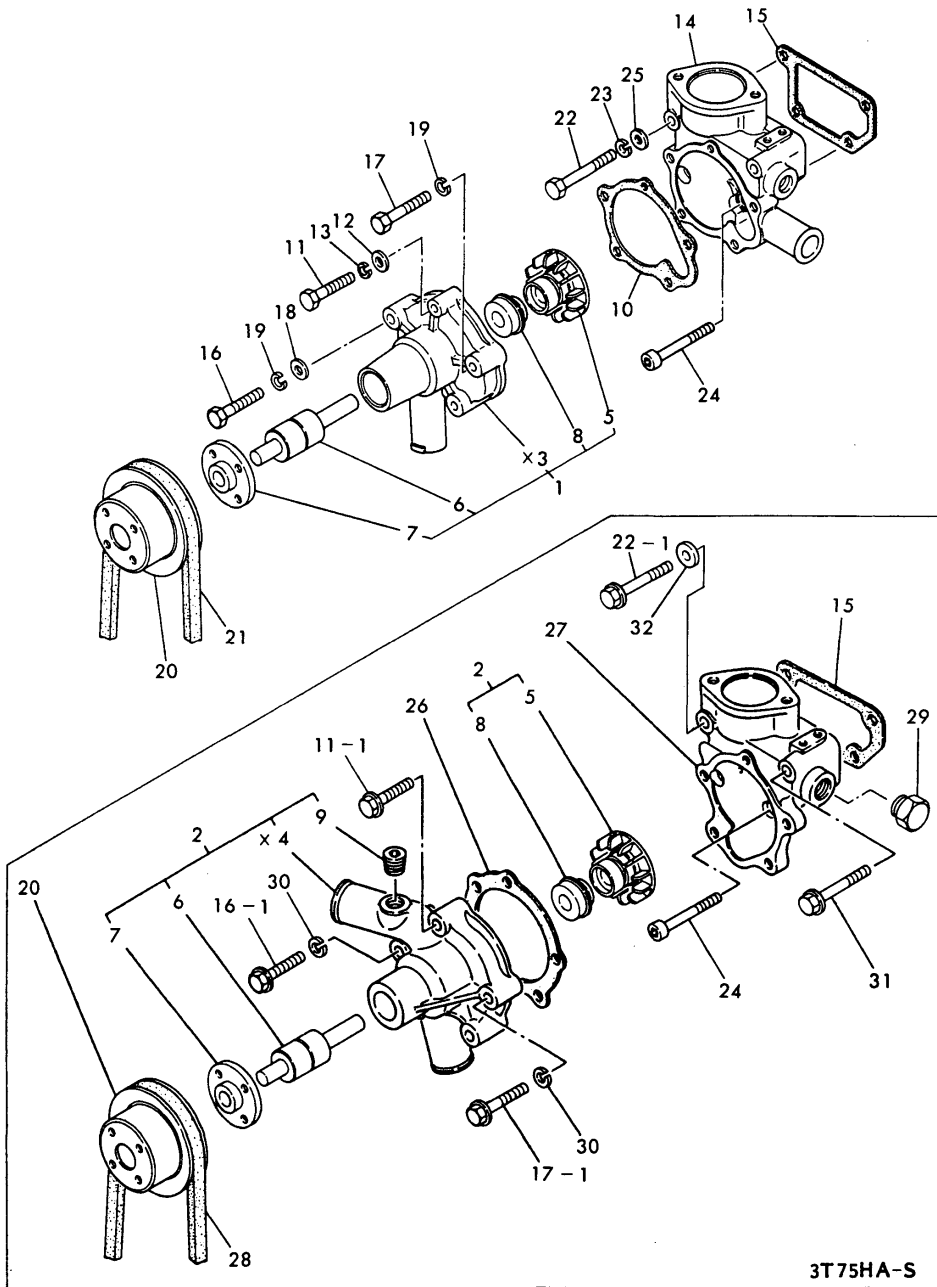
(A)=3T75HA
(B)=3T75HA-F
(C)=3T75HA-S

(D)=
(E)=
(F)=

| No. | Lev. | Parts No. | Description | Q'ty | | | | | | I | R |
|-----|------|--------------|----------------------|------|-----|-----|-----|-----|-----|---|---|
| | | | | (A) | (B) | (C) | (D) | (E) | (F) | | |
| 1 | 1 | 121550-39200 | PIPE, OIL | 1 | 1 | 1 | | | | | |
| 2 | 1 | 124160-39140 | BOLT, PIPE JOINT M10 | 1 | 1 | 1 | | | | | |
| 3 | 1 | 23414-100000 | GASKET, 10X1.0 | 2 | 2 | 2 | | | | | |
| 4 | 1 | 124550-59820 | BOLT, PIPE JOINT M8 | 3 | 3 | 3 | | | | | |
| 5 | 1 | 23414-080000 | GASKET, 8X1.0 | 6 | 6 | 6 | | | | | |
| 6 | 1 | 124450-39240 | RETAINER, PIPE | 1 | 1 | 1 | | | | | |
| 7 | 1 | 124160-39450 | SWITCH, 0.5KG | 1 | 1 | 1 | | | | | |

Fig.14. COOLING WATER PUMP

Fig. 14 COOLING WATER PUMP



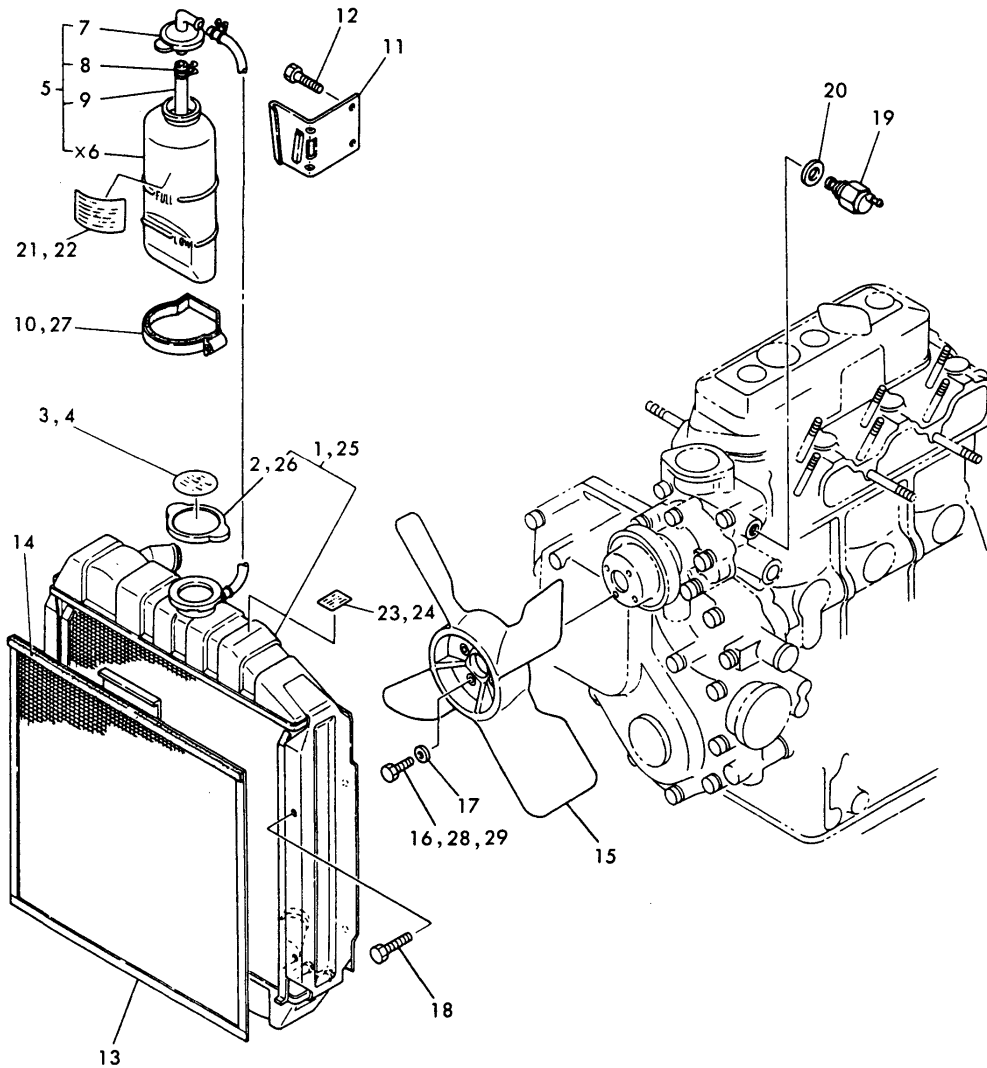
(A)=3T75HA
(B)=3T75HA-F
(C)=3T75HA-S

(D)=
(E)=
(F)=

| No. | Lev. | Parts No. | Description | Qty | | | | | | I | R |
|------|------|-----------------------------|---------------------|-----|-----|-----|-----|-----|-----|---|---|
| | | | | (A) | (B) | (C) | (D) | (E) | (F) | | |
| 1 | 1 | 121023-42100 | PUMP ASSY, WATER | 1 | 1 | | | | | | |
| 2 | 1 | 121000-42100 | PUMP ASSY, WATER | | | 1 | | | | | |
| 5 | 2 | 129350-42200 | IMPELLER | 1 | 1 | 1 | | | | | |
| 6 | 2 | 121450-42240 | BEARING, SHAFT | 1 | 1 | 1 | | | | | |
| 7 | 2 | 121450-42260 | FLANGE, V-PULLEY | 1 | 1 | 1 | | | | | |
| 8 | 2 | 121450-42310 | SEAL, MECHANICAL | 1 | 1 | 1 | | | | | |
| 9 | 2 | 23871-030000 | PLUG, R03 | | | | 1 | | | | |
| 10 | 1 | 121450-42050 | GASKET, WATER PUMP | 1 | 1 | | | | | | |
| 11 | 1 | 26116-060352 | BOLT, M6X 35 PLATED | 1 | 1 | | | | | | |
| 11-1 | 1 | 26106-060322 | BOLT, M6X 32 PLATED | 1 | 1 | 1 | | | | | N |
| | | (A=*1982.11) (B=*1982.11) | | | | | | | | | |
| 12 | 1 | 22117-060000 | WASHER, 6 | 1 | 1 | | | | | | Z |
| | | (A=*1982.11) (B=*1982.11) | | | | | | | | | |
| 13 | 1 | 22217-060000 | WASHER, SPRING 6 | 1 | | | | | | | Z |
| | | (A=*) | | | | | | | | | |
| 14 | 1 | 121554-42120 | BRACKET, PUMP | 1 | 1 | | | | | | |
| 15 | 1 | 121450-44410 | GASKET | 1 | 1 | 1 | | | | | |
| 16 | 1 | 26116-080402 | BOLT, M8X 40 PLATED | 3 | 3 | | | | | | |
| 16-1 | 1 | 26106-080382 | BOLT, M8X 38 PLATED | 3 | 3 | 3 | | | | | N |
| | | (A=E/# 86878) (B=E/# 86878) | | | | | | | | | |
| 17 | 1 | 26116-080452 | BOLT, M8X 45 PLATED | 1 | 1 | | | | | | |
| 17-1 | 1 | 26106-080402 | BOLT, M8X 40 PLATED | 1 | 1 | 1 | | | | | N |
| | | (A=E/# 86878) (B=E/# 86878) | | | | | | | | | |
| 18 | 1 | 22117-080000 | WASHER, 8 | 3 | 3 | | | | | | Z |
| | | (A=E/# 86878) (B=E/# 86878) | | | | | | | | | |
| 19 | 1 | 22217-080000 | WASHER, SPRING 8 | 4 | 4 | | | | | | Z |
| | | (A=E/# 86878) (B=E/# 86878) | | | | | | | | | |
| 20 | 1 | 121450-42350 | V-PULLEY | 1 | 1 | 1 | | | | | |
| 21 | 1 | 121023-42290 | V-BELT, AX33 | 1 | 1 | | | | | | |
| 22 | 1 | 26116-080602 | BOLT, M8X 60 PLATED | 2 | 2 | | | | | | |
| 22-1 | 1 | 26106-080552 | BOLT, M8X 55 PLATED | 2 | 2 | 1 | | | | | N |
| | | (A=*1982.11) (B=*1982.11) | | | | | | | | | |
| 23 | 1 | 22217-080000 | WASHER, SPRING 8 | 2 | 2 | | | | | | Z |
| | | (A=*1982.11) (B=*1982.11) | | | | | | | | | |
| 24 | 1 | 26450-080452 | BOLT, M8X 45 | 2 | 2 | 2 | | | | | |
| 25 | 1 | 22117-080000 | WASHER, 8 | 2 | 2 | | | | | | W |
| | | (A=*) (B=*) | | | | | | | | | |
| 25-1 | 1 | 22117-080000 | WASHER, 8 | 2 | 2 | | | | | | Z |
| | | (A=*1982.11) (B=*1982.11) | | | | | | | | | |
| 26 | 1 | 121000-42051 | GASKET, WATER PUMP | | | 1 | | | | | |
| 27 | 1 | 121554-42140 | BRACKET, PUMP | | | 1 | | | | | |
| 28 | 1 | 124736-42290 | V-BELT, A34 | | | 1 | | | | | |
| 29 | 1 | 121450-42450 | PLUG, M16 | | | 1 | | | | | |
| 30 | 1 | 22217-080000 | WASHER, SPRING 8 | | | 4 | | | | | |
| 31 | 1 | 26106-080602 | BOLT, M8X 60 PLATED | | | 1 | | | | | |
| 32 | 1 | 43400-500410 | SEAL WASHER 8 | | | 1 | | | | | |

Fig.15. RADIATOR

Fig. 15 RADIATOR



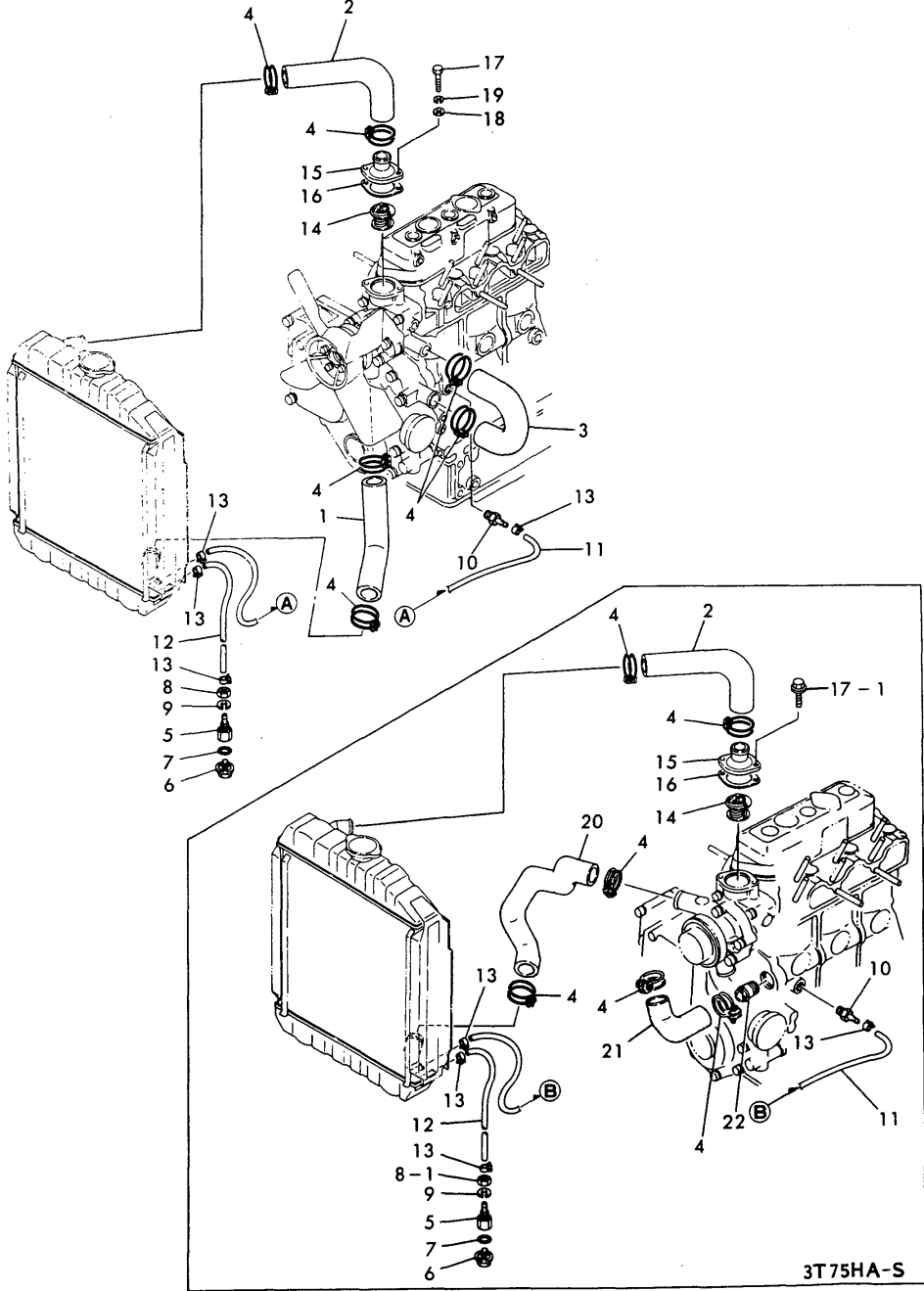
(A)=3T75HA
(B)=3T75HA-F
(C)=3T75HA-S

(D)=
(E)=
(F)=

| No. | Lev. | Parts No. | Description | Qty | | | | | | I | R |
|------|------|---------------|----------------------|-----|-----|-----|-----|-----|-----|---|---|
| | | | | (A) | (B) | (C) | (D) | (E) | (F) | | |
| 1 | 1 | 121554-44500 | RADIATOR | 1 | 1 | | | | | | |
| 2 | 2 | 124450-44590 | CAP, RADIATOR | 1 | 1 | | | | | | |
| 3 | 1 | 124764-44800 | LABEL, RADIATOR | 1 | | 1 | | | | | |
| 4 | 1 | 124740-44800 | LABEL, RADIATOR | | 1 | | | | | | |
| 5 | 1 | 121520-44510 | TANK ASSY, SUB | 1 | 1 | 1 | | | | | |
| 7 | 2 | 121450-44530 | CAP | 1 | 1 | 1 | | | | | |
| 8 | 2 | 124450-44560 | RETAINER | 1 | 1 | 1 | | | | | |
| 9 | 2 | 23061-070145 | PIPE 7X 145 | 1 | 1 | | | | | | |
| 9-1 | 2 | 23065-070145 | PIPE, 7X 145 | 1 | 1 | 1 | | | | | N |
| | | (A=*) | (B=*) | | | | | | | | |
| 10 | 1 | 124450-44550 | BAND | 1 | 1 | | | | | | |
| 10-1 | 1 | 121750-44550 | BAND, TANK | 1 | | 1 | | | | | N |
| | | (A=*1982.) | (B=*1982.) | | | | | | | | |
| 11 | 1 | 121554-44540 | BRACKET | 1 | 1 | 1 | | | | | |
| 12 | 1 | 26116-060102 | BOLT, M6X 10 PLATED | 2 | 2 | | | | | | |
| 12-1 | 1 | 26106-060122 | BOLT, M6X 12 PLATED | 2 | 2 | 2 | | | | | N |
| | | (A=E/# 91265) | (B=E/# 91265) | | | | | | | | |
| 13 | 1 | 121462-44580 | SCREEN, RADIATOR | 1 | 1 | 1 | | | | | |
| 14 | 1 | 121454-44590 | PAD, URETHANE | 1 | 1 | 1 | | | | | |
| 15 | 1 | 121450-44740 | FAN, COOLING | 1 | 1 | 1 | | | | | |
| 16 | 1 | 26116-060162 | BOLT, M6X 16 PLATED | 4 | 4 | | | | | | |
| 16-1 | 1 | 26014-060182 | BOLT, M6X 18 | 4 | | | | | | | N |
| | | (A=E/# 94928) | | | | | | | | | |
| 17 | 1 | 22117-060000 | WASHER, 6 | 4 | 4 | | | | | | Z |
| | | (A=E/# 94928) | | | | | | | | | |
| 18 | 1 | 26116-080122 | BOLT, M8X 12 PLATED | 4 | 4 | | | | | | |
| 18-1 | 1 | 26106-080122 | BOLT, M8X 12 PLATED | 4 | 4 | 4 | | | | | N |
| | | (A=*1982.11) | (B=*1982.11) | | | | | | | | |
| 19 | 1 | 121250-44901 | SWITCH, 110 | 1 | 1 | 1 | | | | | |
| 20 | 1 | 124465-44950 | GASKET, 16 | 1 | 1 | 1 | | | | | |
| 21 | 1 | 124764-44810 | LABEL, SUB-TANK | 1 | | 1 | | | | | |
| 22 | 1 | 124740-44810 | LABEL, SUB-TANK | | 1 | | | | | | |
| 23 | 1 | 124764-44920 | LABEL, ANTI-FREEZING | 1 | | 1 | | | | | |
| 24 | 1 | 124740-44920 | LABEL, ANTI-FREEZING | | 1 | | | | | | |
| 25 | 1 | 121554-44511 | RADIATOR | | | | | | | 1 | |
| 26 | 2 | 124450-44590 | CAP, RADIATOR | | | 1 | | | | | |
| 27 | 1 | 124450-44550 | BAND | | 1 | | | | | | W |
| | | (B=FROM 1ST) | | | | | | | | | |
| 28 | 1 | 26106-060142 | BOLT, M6X 14 PLATED | | 4 | | | | | | W |
| | | (B=*1982.11) | | | | | | | | | |
| 29 | 1 | 26014-060302 | BOLT, M6X 30 | | | 4 | | | | | |

Fig.16. COOLING WATER LINES

Fig. 16 COOLING WATER LINES



(A)=3T75HA
(B)=3T75HA-F
(C)=3T75HA-S

(D)=
(E)=
(F)=

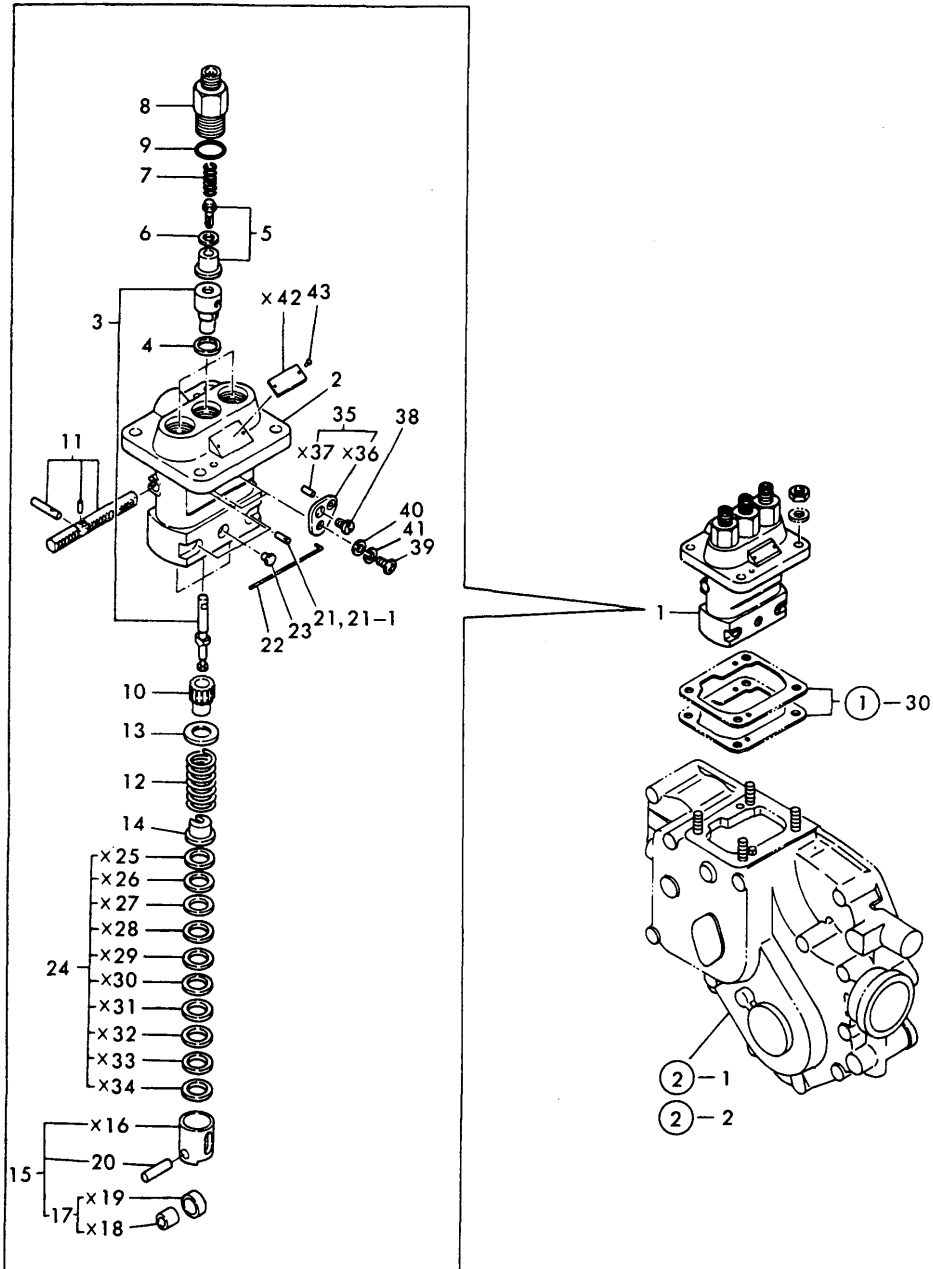
| No. | Lev. | Parts No. | Description | Qty | | | | | | I | R |
|------|------|---|---------------------|-----|-----|-----|-----|-----|-----|---|---|
| | | | | (A) | (B) | (C) | (D) | (E) | (F) | | |
| 1 | 1 | 121450-49020 | PIPE, WATER | 1 | 1 | | | | | | |
| 2 | 1 | 129350-49010 | PIPE, WATER | 1 | 1 | 1 | | | | | |
| 3 | 1 | 121450-49030 | PIPE, WATER | 1 | 1 | | | | | | |
| 4 | 1 | 23010-038000 | CLAMP, 38 | 6 | 6 | 6 | | | | | |
| 5 | 1 | 129350-49130 | BODY | 1 | 1 | 1 | | | | | |
| 6 | 1 | 129350-49120 | PLUG, DRAIN | 1 | 1 | 1 | | | | | |
| 7 | 1 | 24311-000120 | O-RING, 1AP12.0 | 1 | 1 | 1 | | | | | |
| 8 | 1 | 26776-100002 | NUT, LOCK M10 | 1 | 1 | | | | | | |
| 8-1 | 1 | 26696-100002 | NUT, LOCK M10 | 1 | 1 | 1 | | | | | N |
| | | (A=*1982.11) (B=*1982.11) | | | | | | | | | |
| 9 | 1 | 22217-100000 | WASHER, SPRING 10 | 1 | 1 | 1 | | | | | |
| 10 | 1 | 121550-49111 | JOINT, PT1/4 | 1 | 1 | 1 | | | | | |
| 11 | 1 | 121250-49160 | PIPE, WATER DRAIN | 1 | 1 | 1 | | | | | |
| 12 | 1 | 121454-49160 | PIPE, WATER DRAIN | 1 | 1 | 1 | | | | | |
| 13 | 1 | 124766-59050 | CLIP, HOSE 12 | 4 | 4 | 4 | | | | | |
| 14 | 1 | 129350-49800 | THERMOSTAT, 71 | 1 | 1 | 1 | | | | | |
| 15 | 1 | 129350-49530 | COVER, THERMOSTAT | 1 | 1 | 1 | | | | | |
| 16 | 1 | 129350-49540 | GASKET | 1 | 1 | 1 | | | | | |
| 16-1 | 1 | 129350-49541 | GASKET | 1 | 1 | 1 | | | | | N |
| | | (A=E/# B0116) (B=E/# B0116) (C=E/# B0116) | | | | | | | | | |
| 17 | 1 | 26116-080222 | BOLT, M8X 22 PLATED | 2 | 2 | | | | | | |
| 17-1 | 1 | 26106-080182 | BOLT, M8X 18 PLATED | 2 | 2 | 2 | | | | | N |
| | | (A=*1982.11) (B=*1982.11) | | | | | | | | | |
| 18 | 1 | 22117-080000 | WASHER, 8 | 2 | 2 | | | | | | Z |
| | | (A=*1982.11) (B=*1982.11) | | | | | | | | | |
| 19 | 1 | 22217-080000 | WASHER, SPRING 8 | 2 | 2 | | | | | | Z |
| | | (A=*1982.11) (B=*1982.11) | | | | | | | | | |
| 20 | 1 | 121554-49020 | PIPE, WATER | | | | | | | | 1 |
| 21 | 1 | 121554-49040 | PIPE, WATER | | | | | | | | 1 |
| 22 | 1 | 124160-49480 | JOINT, PIPE | | | | | | | | 1 |

Fig.17. FUEL INJECTION PUMP

(A)=3T75HA
(B)=3T75HA-F
(C)=3T75HA-S

(D)=
(E)=
(F)=

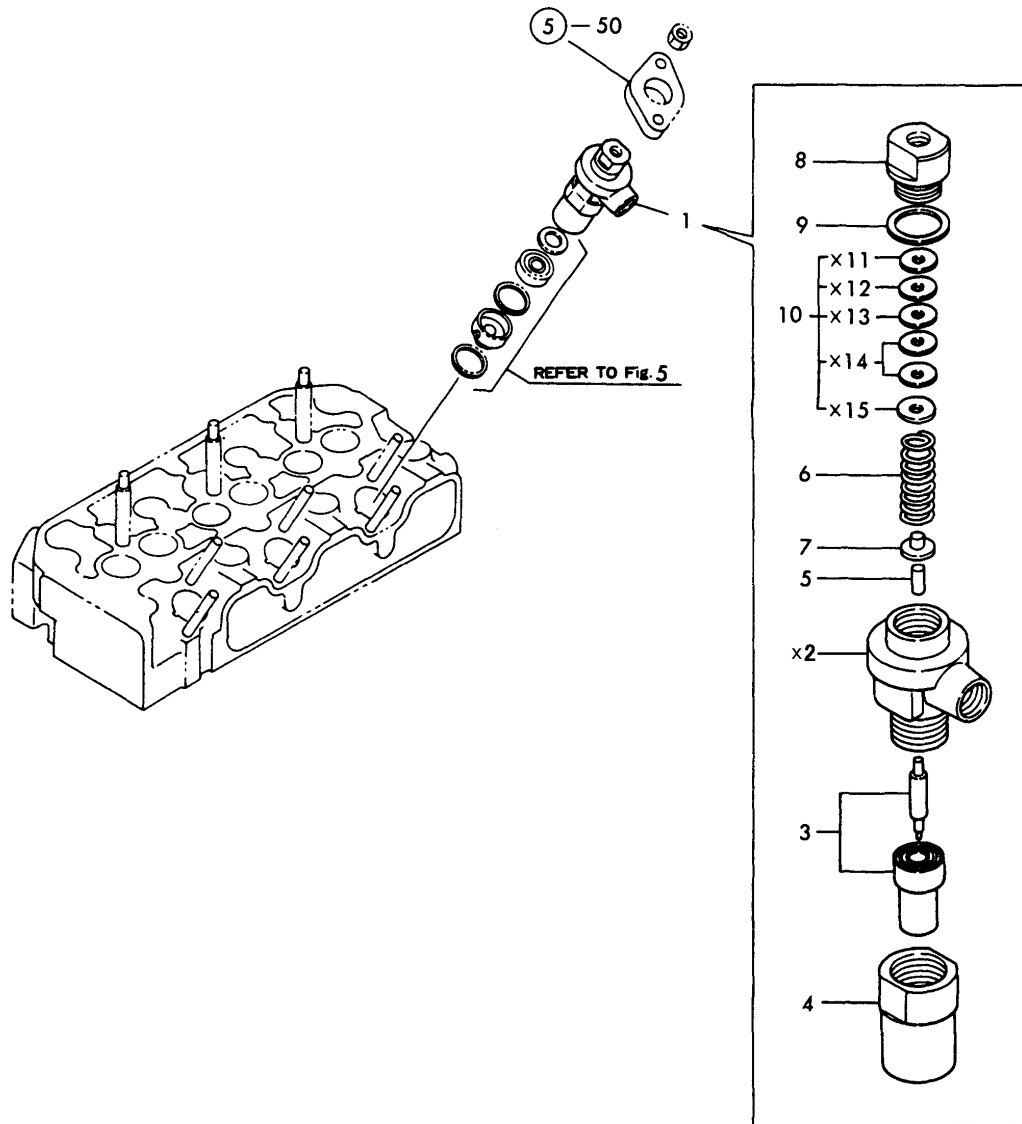
Fig. 17 FUEL INJECTION PUMP



| No. | Lev. | Parts No. | Description | Qty | | | | | | I | R |
|------|------|--------------|----------------------|-----|-----|-----|-----|-----|-----|---|---|
| | | | | (A) | (B) | (C) | (D) | (E) | (F) | | |
| 1 | 1 | 721550-51700 | PUMP ASSY, INJECTION | 1 | 1 | 1 | | | | | |
| 2 | 2 | 121450-51010 | BODY ASSY, PUMP | 1 | 1 | 1 | | | | | |
| 3 | 2 | 121550-51100 | PLUNGER ASSY | 3 | 3 | 3 | | | | | |
| 4 | 2 | 124950-51270 | GASKET | 3 | 3 | 3 | | | | | |
| 5 | 2 | 124060-51300 | VALVE ASSY, DELIVERY | 3 | 3 | 3 | | | | | |
| 6 | 2 | 124550-51350 | GASKET, DELIVERY | 3 | 3 | 3 | | | | | |
| 7 | 2 | 124550-51320 | SPRING, DELIVERY | 3 | 3 | 3 | | | | | |
| 8 | 2 | 124550-51341 | HOLDER, DELIVERY L43 | 3 | 3 | 3 | | | | | |
| 9 | 2 | 124550-51370 | O-RING | 3 | 3 | 3 | | | | | |
| 10 | 2 | 124950-51510 | PINION | 3 | 3 | 3 | | | | | |
| 11 | 2 | 121450-51500 | RACK, CONTROL | 1 | 1 | 1 | | | | | |
| 12 | 2 | 124950-51190 | SPRING, PLUNGER | 3 | 3 | 3 | | | | | |
| 13 | 2 | 174307-51170 | RETAINER, SPRING A | 3 | 3 | 3 | | | | | |
| 14 | 2 | 174307-51181 | RETAINER, SPRING B | 3 | 3 | 3 | | | | | |
| 15 | 2 | 724550-51520 | GUIDE, PLUNGER | 3 | 3 | 3 | | | | | |
| 17 | 3 | 711100-51540 | ROLLER ASSY | 3 | 3 | 3 | | | | | |
| 20 | 3 | 174100-54120 | PIN | 3 | 3 | 3 | | | | | |
| 21 | 2 | 103854-51251 | PIN, PLUNGER | 3 | 3 | 3 | | | | | |
| 21-1 | 2 | 103854-51251 | PIN, PLUNGER | 1 | 1 | 1 | | | | | K |
| | | (A=*) (B=*) | | | | | | | | | |
| 22 | 2 | 121150-51460 | PIN, GUIDE | 1 | 1 | 1 | | | | | |
| 23 | 2 | 124950-51450 | PIECE, GUIDE | 3 | 3 | 3 | | | | | |
| 24 | 2 | 174307-51700 | SHIM SET | 3 | 3 | 3 | | | | | |
| 35 | 2 | 124950-51640 | PLATE ASSY, ADJUST | 2 | 2 | 2 | | | | | |
| 36 | 3 | 124950-51650 | PLATE | 2 | 2 | 2 | | | | | |
| 37 | 3 | 124950-51670 | PIN | 2 | 2 | 2 | | | | | |
| 38 | 2 | 103854-51660 | SCREW | 2 | 2 | 2 | | | | | |
| 39 | 2 | 26587-050102 | SCREW, M5X10 | 2 | 2 | 2 | | | | | |
| 40 | 2 | 22137-050000 | WASHER, 5 | 2 | 2 | 2 | | | | | |
| 40-1 | 2 | 22117-050000 | WASHER, 5 | 2 | 2 | 2 | | | | | N |
| | | (A=*) (B=*) | | | | | | | | | |
| 41 | 2 | 22217-050000 | WASHER, SPRING 5 | 2 | 2 | 2 | | | | | |
| 43 | 2 | 124220-51890 | RIVET | 2 | 2 | 2 | | | | | |

Fig.18. FUEL INJECTION VALVE

Fig. 18 FUEL INJECTION VALVE



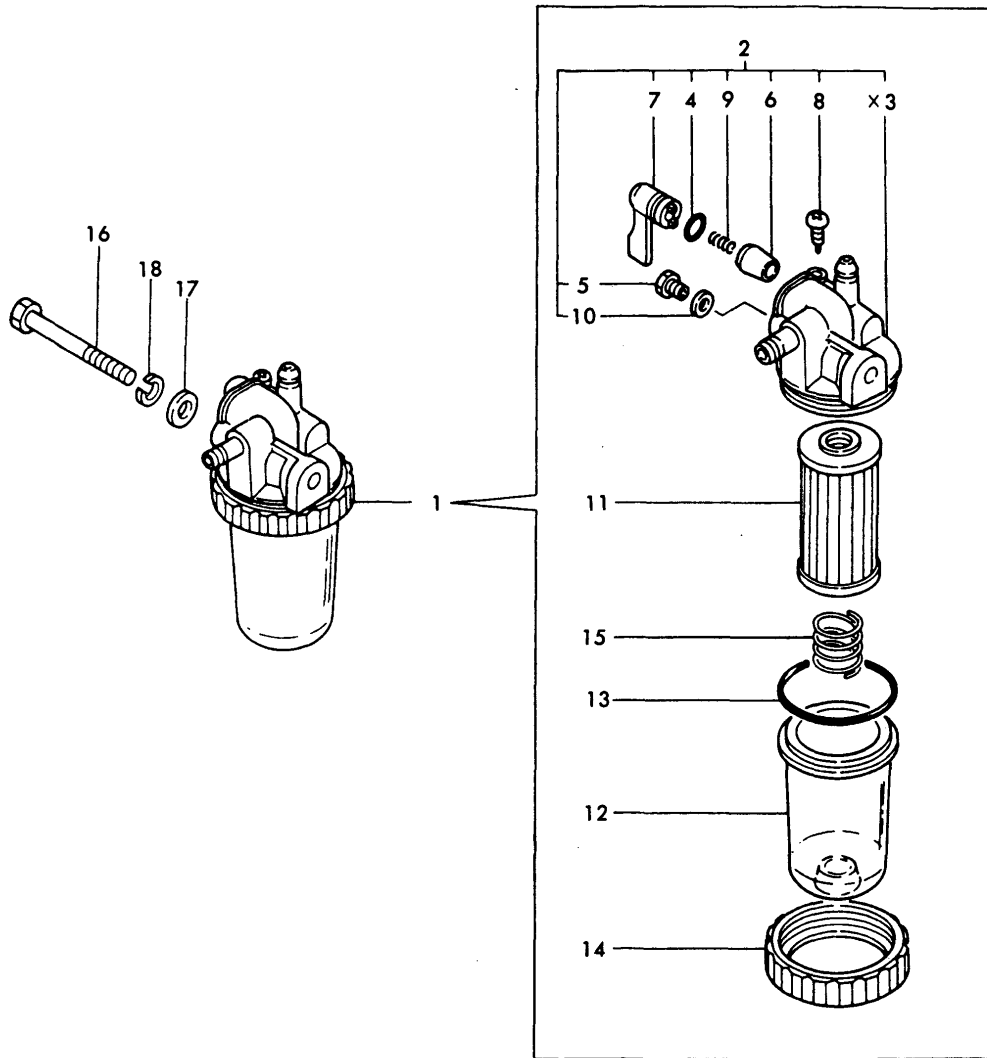
(A)=3T75HA
(B)=3T75HA-F
(C)=3T75HA-S

(D)=
(E)=
(F)=

| No. | Lev. | Parts No. | Description | Q'ty | | | | | | I | R |
|-----|------|--------------|----------------------|------|-----|-----|-----|-----|-----|---|---|
| | | | | (A) | (B) | (C) | (D) | (E) | (F) | | |
| 1 | 1 | 724060-53101 | VALVE ASSY,INJECTION | 3 | 3 | 3 | | | | | |
| 3 | 2 | 124770-53000 | VALVE ASSY,INJECTION | 3 | 3 | 3 | | | | | |
| 4 | 2 | 104200-53080 | NUT, NOZZLE | 3 | 3 | 3 | | | | | |
| 5 | 2 | 113200-53110 | SPINDLE, INTER | 3 | 3 | 3 | | | | | |
| 6 | 2 | 103854-53120 | SPRING, NOZZLE | 3 | 3 | 3 | | | | | |
| 7 | 2 | 113200-53120 | RETAINER, SPRING | 3 | 3 | 3 | | | | | |
| 8 | 2 | 103854-53180 | RETAINER, SPRING | 3 | 3 | 3 | | | | | |
| 9 | 2 | 172100-53200 | GASKET | 3 | 3 | 3 | | | | | |
| 10 | 2 | 110250-53150 | PLATE ASSY, ADJUST | 3 | 3 | 3 | | | | | |

Fig.19. FUEL STRAINER

Fig. 19 FUEL STRAINER



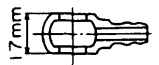

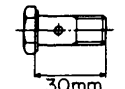
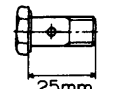
(A)=3T75HA
(B)=3T75HA-F
(C)=3T75HA-S

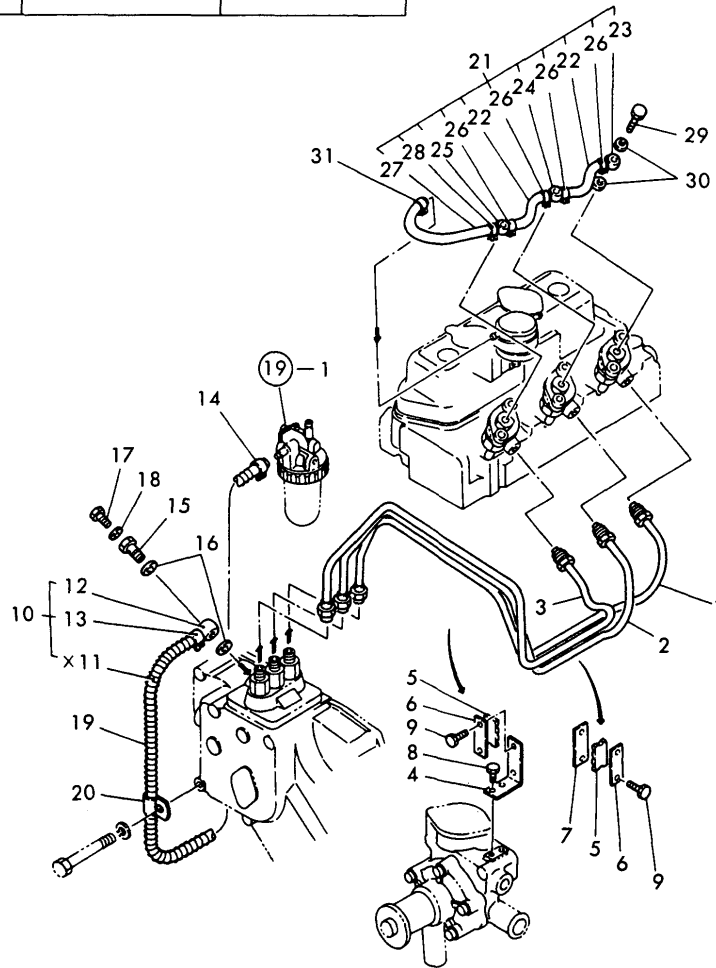
(D)=
(E)=
(F)=

| No. | Lev. | Parts No. | Description | Qty | | | | | | I | R |
|------|------|---------------|---------------------|-----|-----|-----|-----|-----|-----|---|---|
| | | | | (A) | (B) | (C) | (D) | (E) | (F) | | |
| 1 | 1 | 121454-55600 | STRAINER ASSY, FUEL | 1 | 1 | 1 | | | | | |
| 2 | 2 | 721257-55540 | COCK ASSY, FUEL | 1 | 1 | 1 | | | | | |
| 4 | 3 | 24311-240100 | O-RING, 1AP10A | 1 | 1 | 1 | | | | | |
| 5 | 3 | 101720-55750 | PLUG, 6 | 2 | 2 | 2 | | | | | |
| 6 | 3 | 104200-55321 | VALVE, TAPER | 1 | 1 | 1 | | | | | |
| 7 | 3 | 104200-55341 | HANDLE | 1 | 1 | 1 | | | | | |
| 8 | 3 | 104200-55750 | SCREW, M4 | 1 | 1 | 1 | | | | | |
| 9 | 3 | 104200-55330 | SPRING, VALVE | 1 | 1 | 1 | | | | | |
| 10 | 3 | 23418-060000 | GASKET, 6X1.0 | 2 | 2 | 2 | | | | | |
| 11 | 2 | 124550-55700 | FILTER, FUEL L=90 | 1 | 1 | 1 | | | | | |
| 12 | 2 | 121254-55510 | COVER | 1 | 1 | 1 | | | | | |
| 13 | 2 | 102103-55520 | O-RING | 1 | 1 | 1 | | | | | |
| 14 | 2 | 110250-55610 | RING, RETAINING | 1 | 1 | 1 | | | | | |
| 15 | 2 | 121250-55620 | SPRING | 1 | 1 | 1 | | | | | |
| 16 | 1 | 26116-080702 | BOLT, M8X 70 PLATED | 1 | 1 | | | | | | |
| 16-1 | 1 | 26106-080652 | BOLT, M8X 65 PLATED | 1 | 1 | 1 | | | | | N |
| | | (A=E/# 86878) | (B=E/# 86878) | | | | | | | | |
| 17 | 1 | 22117-080000 | WASHER, 8 | 1 | 1 | | | | | | Z |
| | | (A=E/# 86878) | (B=E/# 86878) | | | | | | | | |
| 18 | 1 | 22217-080000 | WASHER, SPRING 8 | 1 | 1 | | | | | | Z |
| | | (A=E/# 86878) | (B=E/# 86878) | | | | | | | | |

Fig.20. FUEL LINES

Fig. 20 FUEL LINES

| Ref.No | OLD TYPE | NEW TYPE |
|--------|---|---|
| 12 |  |  |
| 15 |  |  |



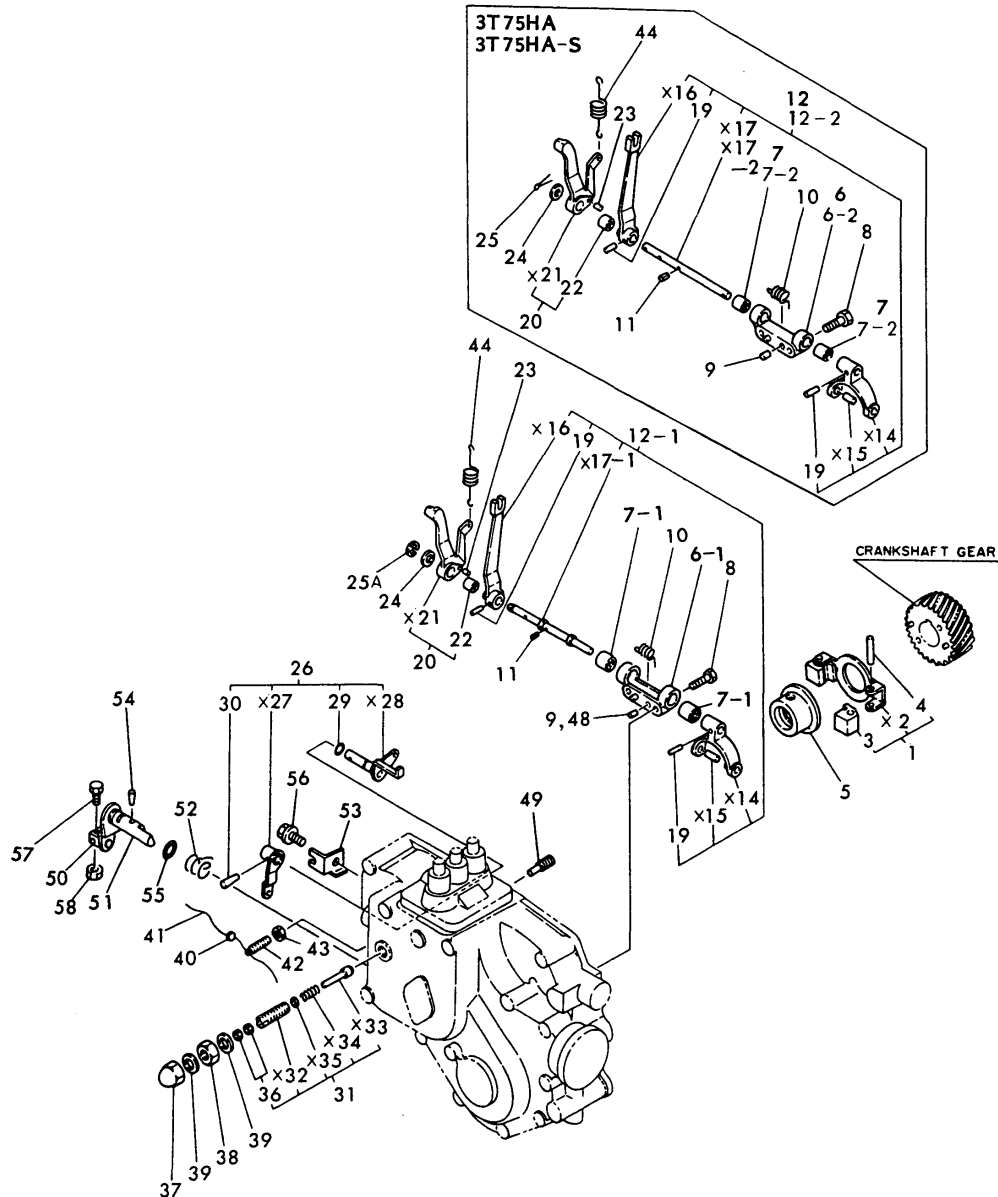
(A)=3T75HA
(B)=3T75HA-F
(C)=3T75HA-S

(D)=
(E)=
(F)=

| No. | Lev. | Parts No. | Description | Qty | | | | | | I | R |
|------|------|-----------------------------|----------------------|-----|-----|-----|-----|-----|-----|---|-----|
| | | | | (A) | (B) | (C) | (D) | (E) | (F) | | |
| 1 | 1 | 121522-59810 | PIPE ASSY, INJECTION | 1 | 1 | | | | | | |
| 1-1 | 1 | 171051-59810 | PIPE ASSY, INJECTION | 1 | 1 | 1 | | | | | N |
| | | (A=*) (B=*) | | | | | | | | | |
| 2 | 1 | 121554-59820 | PIPE ASSY, INJECTION | 1 | 1 | | | | | | |
| 2-1 | 1 | 171051-59820 | PIPE ASSY, INJECTION | 1 | 1 | 1 | | | | | N |
| | | (A=*) (B=*) | | | | | | | | | |
| 3 | 1 | 121522-59830 | PIPE ASSY, INJECTION | 1 | 1 | | | | | | |
| 3-1 | 1 | 171051-59830 | PIPE ASSY, INJECTION | 1 | 1 | 1 | | | | | N |
| | | (A=*) (B=*) | | | | | | | | | |
| 4 | 1 | 121450-59850 | BRACKET | 1 | 1 | 1 | | | | | |
| 5 | 1 | 123325-59100 | RETAINER, PIPE | 2 | 2 | 2 | | | | | |
| 6 | 1 | 123325-59110 | COVER | 2 | 2 | 2 | | | | | |
| 7 | 1 | 121250-59860 | BRACKET | 1 | 1 | 1 | | | | | |
| 8 | 1 | 26116-060102 | BOLT, M6X 10 PLATED | 2 | 2 | 2 | | | | | |
| 9 | 1 | 26116-060162 | BOLT, M6X 16 PLATED | 4 | 4 | | | | | | |
| 9-1 | 1 | 121465-59950 | BOLT, M6X16 | 4 | 4 | 4 | | | | | N |
| | | (A=E/# 86878) (B=E/# 86878) | | | | | | | | | |
| 10 | 1 | 121454-59010 | PIPE ASSY, FUEL | 1 | | | | | | | |
| 10-1 | 1 | 121454-59011 | PIPE ASSY, FUEL | 1 | 1 | 1 | | | | | S 1 |
| | | (A=*1981.09) | | | | | | | | | |
| 12 | 2 | 124250-59260 | JOINT, PIPE 12 | 1 | | | | | | | |
| 12-1 | 2 | 101304-59020 | JOINT, PIPE 12 | 1 | 1 | 1 | | | | | S 1 |
| | | (A=*1981.09) | | | | | | | | | |
| 13 | 2 | 124766-59050 | CLIP, HOSE 12 | 1 | 1 | 1 | | | | | |
| 14 | 1 | 124766-59050 | CLIP, HOSE 12 | 1 | 1 | 1 | | | | | |
| 15 | 1 | 124060-59391 | BOLT, PIPE JOINT M12 | 1 | | | | | | | |
| 15-1 | 1 | 103854-59201 | BOLT, PIPE JOINT M12 | 1 | 1 | 1 | | | | | S 1 |
| | | (A=*1981.09) | | | | | | | | | |
| 16 | 1 | 104200-59170 | GASKET, 12 | 2 | 2 | 2 | | | | | |
| 17 | 1 | 124060-59380 | PLUG, 6 | 1 | 1 | 1 | | | | | |
| 18 | 1 | 43400-500390 | SEAL WASHER 6 | 1 | 1 | 1 | | | | | |
| 19 | 1 | 121454-59060 | SPRING, PROTECTE | 1 | 1 | 1 | | | | | |
| 20 | 1 | 124160-01650 | CLAMP, PIPE | 1 | 1 | 1 | | | | | |
| 21 | 1 | 121551-59500 | PIPE ASSY, RETURN | 1 | 1 | 1 | | | | | |
| 22 | 2 | 121450-59550 | PIPE, FUEL D8X80 | 2 | 2 | 2 | | | | | |
| 23 | 2 | 124550-59030 | JOINT, PIPE 8 | 1 | 1 | 1 | | | | | |
| 24 | 2 | 124550-59090 | JOINT, PIPE 8 | 1 | 1 | 1 | | | | | |
| 25 | 2 | 121750-59090 | JOINT, PIPE 8 | 1 | 1 | 1 | | | | | |
| 26 | 2 | 124066-59100 | CLIP, HOSE 8 | 4 | 4 | 4 | | | | | |
| 27 | 2 | 121750-59560 | PIPE, FUEL RETURN | 1 | 1 | 1 | | | | | |
| 28 | 2 | 124060-77680 | CLIP, HOSE 10 | 1 | 1 | 1 | | | | | |
| 29 | 1 | 101147-59810 | BOLT, PIPE JOINT M8 | 3 | 3 | 3 | | | | | |
| 30 | 1 | 23414-080012 | GASKET, 8X1.0 | 6 | 6 | 6 | | | | | |
| 31 | 1 | 124060-77680 | CLIP, HOSE 10 | 1 | 1 | 1 | | | | | |

Fig.21. GOVERNOR MECHANISM

Fig. 21 GOVERNOR MECHANISM



(A)=3T75HA
(B)=3T75HA-F
(C)=3T75HA-S

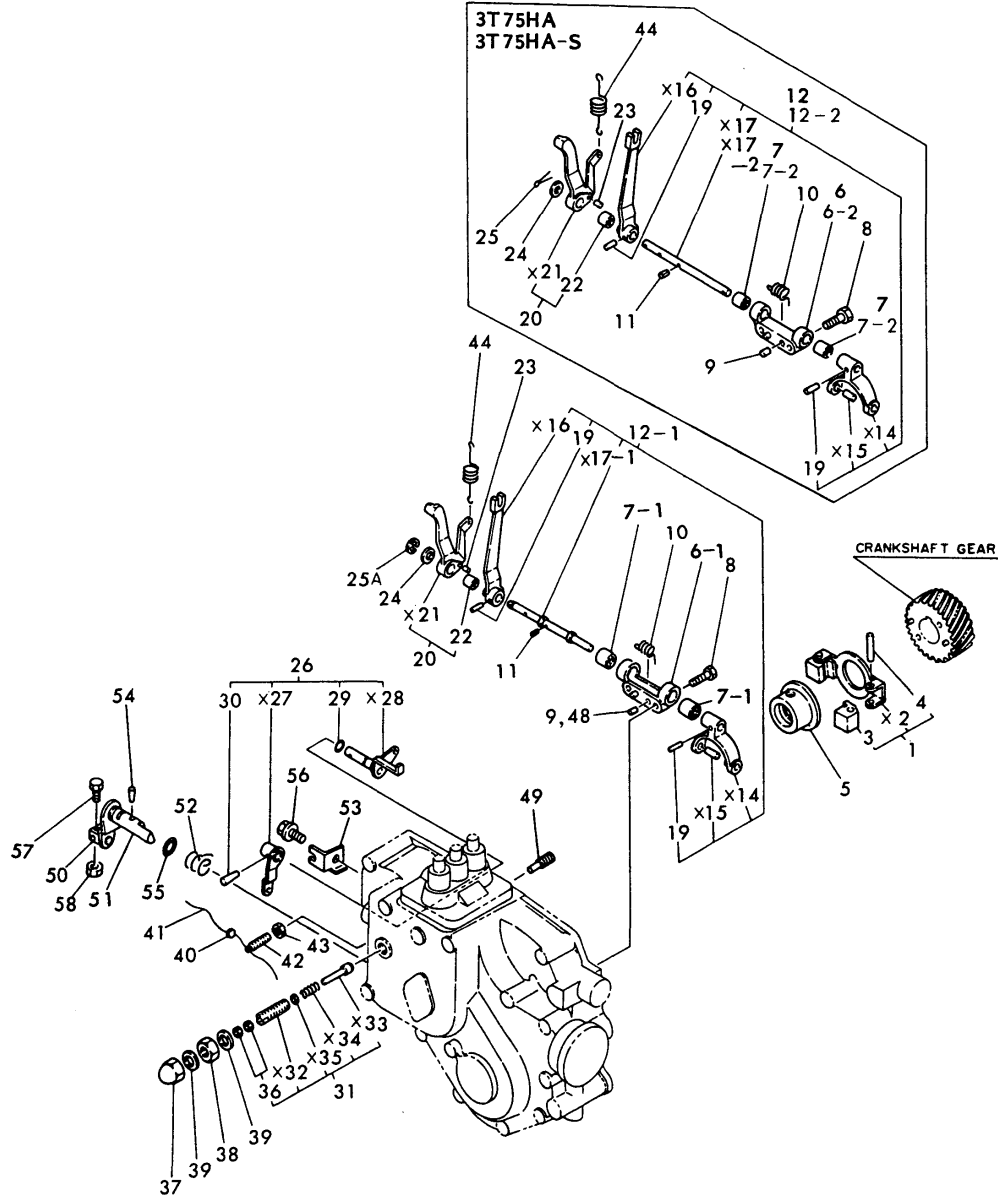
(D)=
(E)=
(F)=

| No. | Lev. | Parts No. | Description | Q'ty | | | | | | I | R |
|--|------|--------------|----------------------|------|-----|-----|-----|-----|-----|---|-----|
| | | | | (A) | (B) | (C) | (D) | (E) | (F) | | |
| 1 | 1 | 121450-61100 | WEIGHT ASSY,GOVERNOR | 1 | 1 | | | | | | |
| 1-1 | 1 | 121450-61101 | WEIGHT ASSY,GOVERNOR | 1 | 1 | 1 | | | | | S 1 |
| (A=*1982.12) (B=*1982.12) | | | | | | | | | | | |
| 3 | 2 | 104200-61200 | WEIGHT, GOVERNOR | 2 | 2 | 2 | | | | | |
| 4 | 2 | 172200-61220 | PIN, GOVERNOR WEIGHT | 2 | 2 | | | | | | |
| 4-1 | 2 | 119660-61220 | PIN, GOVERNOR WEIGHT | 2 | 2 | 2 | | | | | N |
| (A=E/# 97414) (B=T/# 97414) | | | | | | | | | | | |
| 5 | 1 | 129350-61600 | SLEEVE, GOVERNOR | 1 | 1 | 1 | | | | | |
| 6 | 1 | 121450-61620 | SUPPORT | 1 | | | | | | | |
| 6-1 | 1 | 121520-61620 | SUPPORT | 1 | 1 | | | | | | S 2 |
| (A=*1981.08) | | | | | | | | | | | |
| 6-2 | 1 | 121567-61620 | SUPPORT | 1 | | 1 | | | | | S 3 |
| (A=E/# 87718) | | | | | | | | | | | |
| 7 | 1 | 121450-61520 | BEARING, NEEDLE 8 | | 2 | | | | | | |
| 7-1 | 1 | 121520-61520 | BEARING, NEEDLE | | 2 | 2 | | | | | S 2 |
| (A=*1981.08) | | | | | | | | | | | |
| 7-2 | 1 | 121567-61640 | BUSH | | 2 | 2 | | | | | S 3 |
| (A=E/# 87718) | | | | | | | | | | | |
| 8 | 1 | 26116-060222 | BOLT, M6X 22 PLATED | 2 | 2 | | | | | | |
| 8-1 | 1 | 26106-060222 | BOLT, M6X 22 PLATED | 2 | 2 | 2 | | | | | N |
| (A=*1982.11) (B=*1982.11) | | | | | | | | | | | |
| 9 | 1 | 22312-040080 | PIN, PARALLEL M4X 8 | 2 | 2 | 2 | | | | | |
| 10 | 1 | 121450-61631 | SPRING | 1 | 1 | 1 | | | | | |
| 11 | 1 | 22351-030010 | PIN, SPRING 3.0X10 | 1 | 1 | 1 | | | | | |
| 12 | 1 | 121450-61000 | LEVER ASSY, GOVERNOR | 1 | | | | | | | |
| 12-1 | 1 | 121450-61001 | LEVER ASSY, GOVERNOR | 1 | 1 | | | | | | S 2 |
| (A=*1981.08) | | | | | | | | | | | |
| 12-2 | 1 | 121567-61000 | LEVER ASSY, GOVERNOR | 1 | | 1 | | | | | S 3 |
| (A=E/# 87718) | | | | | | | | | | | |
| 19 | 2 | 22322-030180 | PIN, TAPER 3X18 | 2 | 2 | 2 | | | | | |
| 20 | 1 | 121450-66180 | LEVER ASSY | 1 | 1 | 1 | | | | | W 4 |
| (A=*1981.04) (B=FROM 1ST) (C=FROM 1ST) | | | | | | | | | | | |
| 21 | 1 | 121450-66160 | LEVER | 1 | | | | | | | Z |
| (A=*1981.04) | | | | | | | | | | | |
| 22 | 1 | 121450-61520 | BEARING, NEEDLE 8 | 1 | | | | | | | Z |
| (A=*1981.04) | | | | | | | | | | | |
| 22-1 | 2 | 121450-66171 | BUSH | 1 | 1 | | | | | | W 4 |
| (A=*1981.04) (B=FROM 1ST) | | | | | | | | | | | |
| 22-2 | 2 | 121450-66170 | BUSH | 1 | 1 | 1 | | | | | N |
| (A=*1982.08) (B=*1982.08) | | | | | | | | | | | |
| 23 | 1 | 22312-030080 | PIN, PARALLEL M3X 8 | 1 | 1 | 1 | | | | | |
| 24 | 1 | 22137-080000 | WASHER, 8 | 1 | 1 | 1 | | | | | |
| 25 | 1 | 22417-300150 | PIN, COTTER 3.0X15 | 1 | 1 | 1 | | | | | |
| 25A | 1 | 22272-000060 | RING, E- 6 | 1 | | | | | | | W 2 |
| (A=*1981.08) | | | | | | | | | | | |
| 25A-1 | 1 | 22272-000060 | RING, E- 6 | 1 | | | | | | | Z |
| (A=*) | | | | | | | | | | | |
| 25A-2 | 1 | 22272-000060 | RING, E- 6 | | 1 | | | | | | W |
| (B=FROM 1ST) | | | | | | | | | | | |
| 26 | 1 | 121520-66000 | LEVER ASSY,REGULATOR | 1 | 1 | | | | | | |
| 26-1 | 1 | 121454-66002 | LEVER ASSY,REGULATOR | 1 | 1 | 1 | | | | | N |

N:Old $\frac{Yes}{No}$ New, Q:Old $\frac{No}{Yes}$ New, R:Old $\frac{Yes}{Yes}$ New, S:Old $\frac{No}{No}$ New, W:Add, Z:Discontinued, F:Interchangeable by set, K:Q'ty Change
 ++ CONTINUE ++
 Copyright (C) YANMAR CO., LTD. All Rights Reserved.

Fig.21. GOVERNOR MECHANISM

Fig. 21 GOVERNOR MECHANISM



(A)=3T75HA
(B)=3T75HA-F
(C)=3T75HA-S

(D)=
(E)=
(F)=

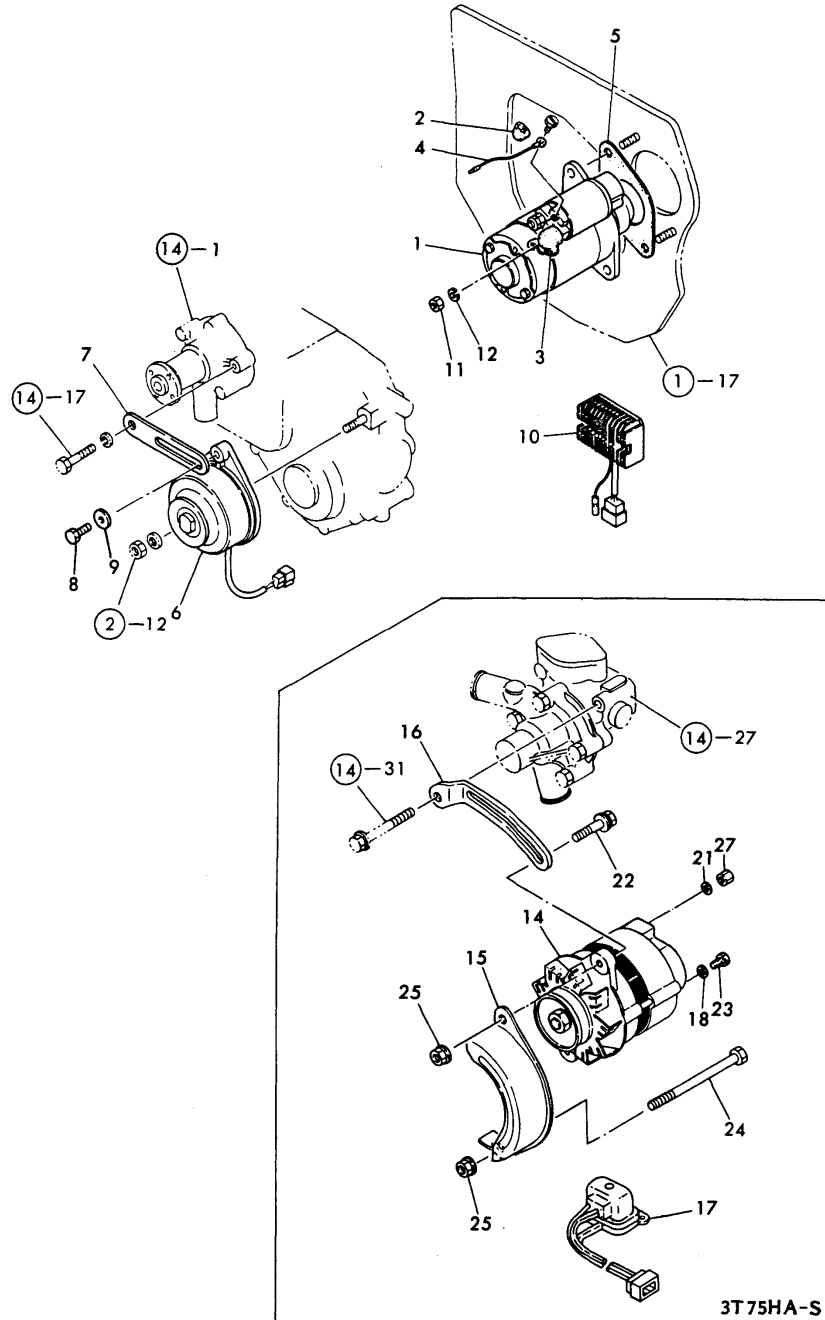
| No. | Lev. | Parts No. | Description | Qty | | | | | | I | R |
|------|------|---------------|---------------------|-----|-----|-----|-----|-----|-----|---|---|
| | | | | (A) | (B) | (C) | (D) | (E) | (F) | | |
| | | (A=E/# 93025) | (B=E/# 93025) | | | | | | | | |
| 29 | 2 | 24311-000070 | O-RING, 1AP7.0 | 1 | 1 | 1 | | | | | |
| 30 | 2 | 22322-030200 | PIN, TAPER 3X20 | 1 | 1 | 1 | | | | | |
| 31 | 1 | 121520-66550 | LIMITER ASSY, FUEL | 1 | 1 | 1 | | | | | |
| 36 | 2 | 26756-050002 | NUT, LOCK M5 | 2 | 2 | 2 | | | | | |
| 37 | 1 | 26687-120002 | NUT, CAP M12 | 1 | 1 | 1 | | | | | |
| 38 | 1 | 26736-120002 | NUT, M12 | 1 | 1 | 1 | | | | | |
| 39 | 1 | 43400-500450 | SEAL WASHER 12 | 2 | 2 | 2 | | | | | |
| 40 | 1 | 135210-61090 | LEAD | 1 | 1 | 1 | | | | | |
| 41 | 1 | 22451-100000 | WIRE, 1.0 | 1 | 1 | | | | | | |
| 41-1 | 1 | 22451-060000 | WIRE, 0.6 | 1 | 1 | 1 | | | | | N |
| | | (A=*) | (B=*) | | | | | | | | |
| 42 | 1 | 121454-66420 | ADJUSTER | 1 | 1 | 1 | | | | | |
| 43 | 1 | 124550-66370 | NUT, M6 | 1 | 1 | 1 | | | | | |
| 44 | 1 | 121520-66010 | SPRING, REGULATOR | 1 | 1 | 1 | | | | | |
| 48 | 1 | 22351-040008 | PIN, SPRING 4.0X 8 | | 2 | | | | | | W |
| | | (B=*) | | | | | | | | | |
| 49 | 1 | 124250-03640 | SCREW | | | | | | | | 1 |
| 50 | 1 | 104211-03770 | RETAINER | | | | | | | | 1 |
| 51 | 1 | 121551-66520 | LEVER, STOP | | | | | | | | 1 |
| 52 | 1 | 121551-66580 | SPRING, RETURN | | | | | | | | 1 |
| 53 | 1 | 121551-66900 | SUPPORT, WIRE | | | | | | | | 1 |
| 54 | 1 | 22322-030160 | PIN, TAPER 3X16 | | | | | | | | 1 |
| 55 | 1 | 24311-000090 | O-RING, 1AP9.0 | | | | | | | | 1 |
| 56 | 1 | 26106-060122 | BOLT, M6X 12 PLATED | | | | | | | | 1 |
| 57 | 1 | 26116-050128 | BOLT, M5X 12 PLATED | | | | | | | | 1 |
| 58 | 1 | 26756-050002 | NUT, LOCK M5 | | | | | | | | 1 |

Fig.22. ELECTRIC EQUIPMENT

(A)=3T75HA
(B)=3T75HA-F
(C)=3T75HA-S

(D)=
(E)=
(F)=

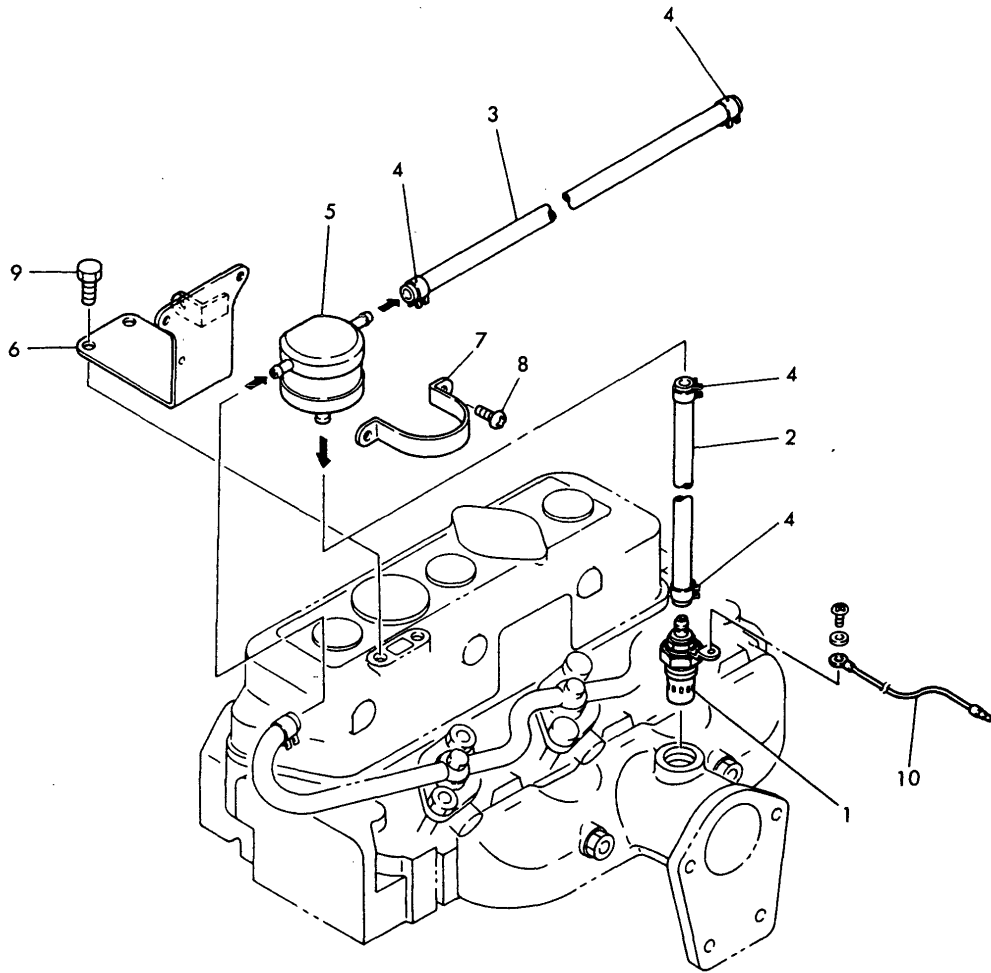
Fig. 22 ELECTRIC EQUIPMENT



| No. | Lev. | Parts No. | Description | Q'ty | | | | | | I | R |
|-----------------------------|------|--------------|---------------------|------|-----|-----|-----|-----|-----|---|---|
| | | | | (A) | (B) | (C) | (D) | (E) | (F) | | |
| 1 | 1 | 124250-77012 | STARTER, S12-77A | 1 | 1 | 1 | | | | | |
| 2 | 1 | 124550-77020 | COVER, TERMINAL | 1 | 1 | 1 | | | | | |
| 3 | 1 | 124550-77030 | COVER, TERMINAL | 1 | 1 | 1 | | | | | |
| 4 | 1 | 124764-77090 | WIRE | 1 | 1 | 1 | | | | | |
| 5 | 1 | 129350-77050 | GASKET | 1 | 1 | | | | | | |
| 5-1 | 1 | 129350-77051 | GASKET | 1 | 1 | 1 | | | | | N |
| (A=E/# 94552) (B=E/# 94552) | | | | | | | | | | | |
| 6 | 1 | 121450-77200 | DYNAMO, 12V-180W | 1 | 1 | | | | | | |
| 7 | 1 | 121450-77330 | ADJUSTER | 1 | 1 | | | | | | |
| 8 | 1 | 26116-080252 | BOLT, M8X 25 PLATED | 1 | 1 | | | | | | |
| 8-1 | 1 | 26014-080252 | BOLT, M8X 25 | 1 | 1 | | | | | | N |
| (A=E/# 86878) (B=E/# 86878) | | | | | | | | | | | |
| 9 | 1 | 22137-080000 | WASHER, 8 | 1 | 1 | | | | | | Z |
| (A=E/# 86878) (B=E/# 86878) | | | | | | | | | | | |
| 10 | 1 | 121450-77711 | LIMITER, RS5101 | 1 | 1 | | | | | | |
| 10-1 | 1 | 121520-77710 | LIMITER, CURRENT | 1 | 1 | | | | | | N |
| (A=E/# A0581) (B=E/# A0581) | | | | | | | | | | | |
| 11 | 1 | 26756-080002 | NUT, LOCK M8 | 1 | 1 | | | | | | Z |
| (A=*) (B=*) | | | | | | | | | | | |
| 12 | 1 | 22217-080000 | WASHER, SPRING 8 | 1 | 1 | | | | | | Z |
| (A=*) (B=*) | | | | | | | | | | | |
| 13 | 1 | 124950-55900 | PIECE, DISTANCE | | | | 1 | | | | |
| 14 | 1 | 121492-77200 | GENERATOR, LT135-54 | | | | 1 | | | | |
| 15 | 1 | 124610-77210 | COVER, GENERATOR | | | | 1 | | | | |
| 16 | 1 | 129354-77330 | ADJUSTER | | | | 1 | | | | |
| 17 | 1 | 124550-77710 | REGULATOR, TL1Z86E | | | | 1 | | | | |
| 18 | 1 | 22117-050000 | WASHER, 5 | | | | 1 | | | | |
| 19 | 1 | 22117-080000 | WASHER, 8 | | | | 2 | | | | |
| 20 | 1 | 22137-080000 | WASHER, 8 | | | | 1 | | | | |
| 21 | 1 | 22217-050000 | WASHER, SPRING 5 | | | | 1 | | | | |
| 22 | 1 | 26014-080352 | BOLT, M8X 35 | | | | 1 | | | | |
| 23 | 1 | 26116-050142 | BOLT, M5X 14 PLATED | | | | 1 | | | | |
| 24 | 1 | 26116-081202 | BOLT, M8X120 PLATED | | | | 1 | | | | |
| 25 | 1 | 26366-080002 | NUT, M8 | | | | 2 | | | | |
| 26 | 1 | 26366-080002 | NUT, M8 | | | | 1 | | | | |
| 27 | 1 | 26756-050002 | NUT, LOCK M5 | | | | 1 | | | | |

Fig.23. THERMOSTART DEVICE.

Fig. 23 THERMOSTART DEVICE



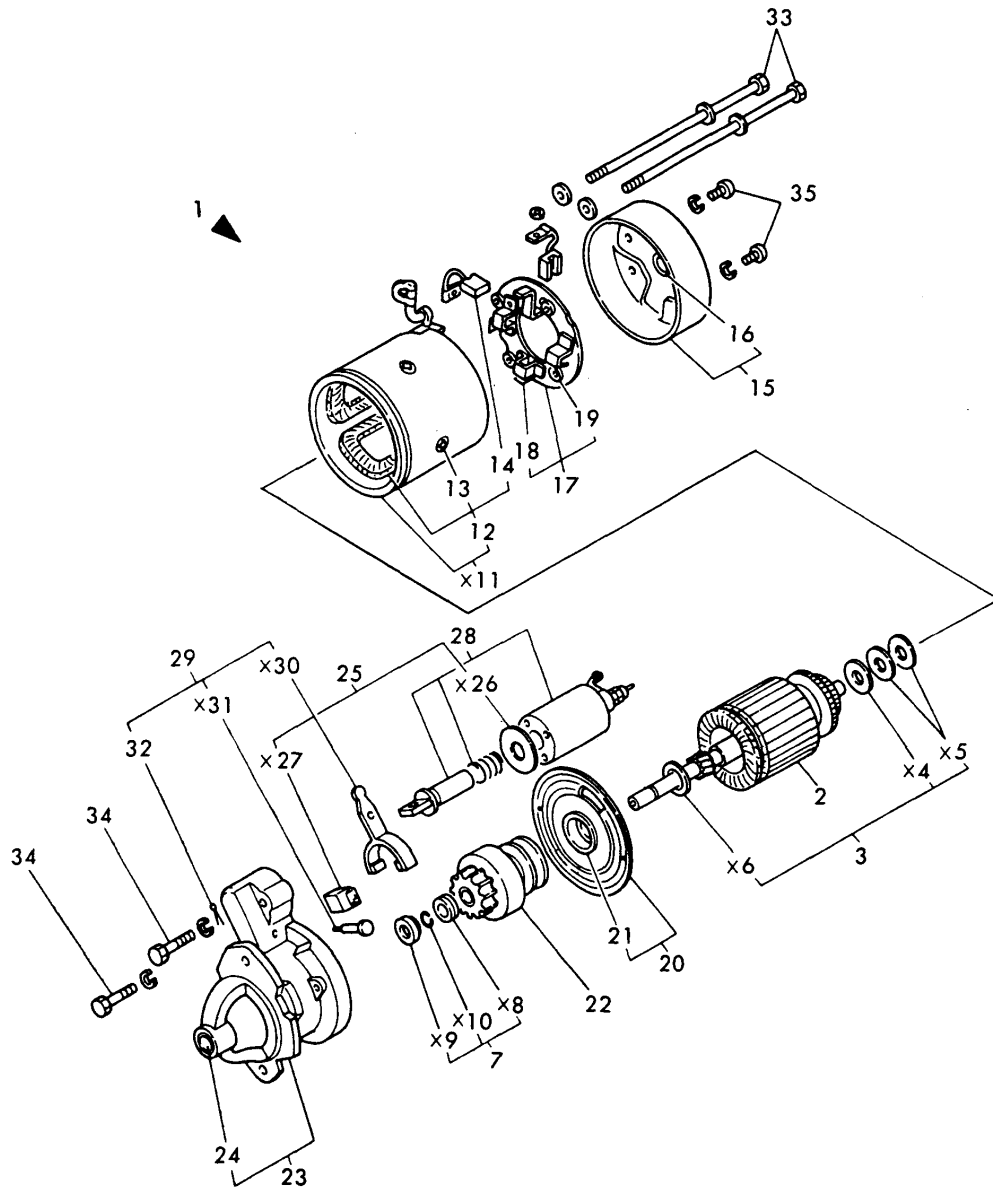
(A)=3T75HA
(B)=3T75HA-F
(C)=3T75HA-S

(D)=
(E)=
(F)=

| No. | Lev. | Parts No. | Description | Qty | | | | | | I | R |
|-----|------|--------------|---------------------|-----|-----|-----|-----|-----|-----|---|---|
| | | | | (A) | (B) | (C) | (D) | (E) | (F) | | |
| 1 | 1 | 121023-77910 | PLUG, THERMOSTAT | 1 | 1 | 1 | | | | | |
| 2 | 1 | 121750-59560 | PIPE, FUEL RETURN | 1 | 1 | 1 | | | | | |
| 3 | 1 | 121450-77690 | PIPE, FUEL 7/11X500 | 1 | 1 | 1 | | | | | |
| 4 | 1 | 124060-77680 | CLIP, HOSE 10 | 4 | 4 | 4 | | | | | |
| 5 | 1 | 121750-77800 | TANK ASSY, HEADER | 1 | 1 | 1 | | | | | |
| 6 | 1 | 121550-77810 | BRACKET | 1 | 1 | 1 | | | | | |
| 7 | 1 | 124460-77820 | RETAINER | 1 | 1 | 1 | | | | | |
| 8 | 1 | 26557-060082 | SCREW, M6X 8 | 2 | 2 | 2 | | | | | |
| 9 | 1 | 26116-080122 | BOLT, M8X 12 PLATED | 2 | 2 | 2 | | | | | |
| 9-1 | 1 | 26106-080122 | BOLT, M8X 12 PLATED | 2 | 2 | 2 | | | | | N |
| | | (A=*1982.11) | (B=*1982.11) | | | | | | | | |
| 10 | 1 | 121120-77920 | WIRE | 1 | 1 | 1 | | | | | |

Fig.24. STARTER 12V-1.8KW(TYPE S12-77)

Fig. 24 STARTER 12V-1.8kW (TYPE S12-77)



(A)=3T75HA
(B)=3T75HA-F
(C)=3T75HA-S

(D)=
(E)=
(F)=

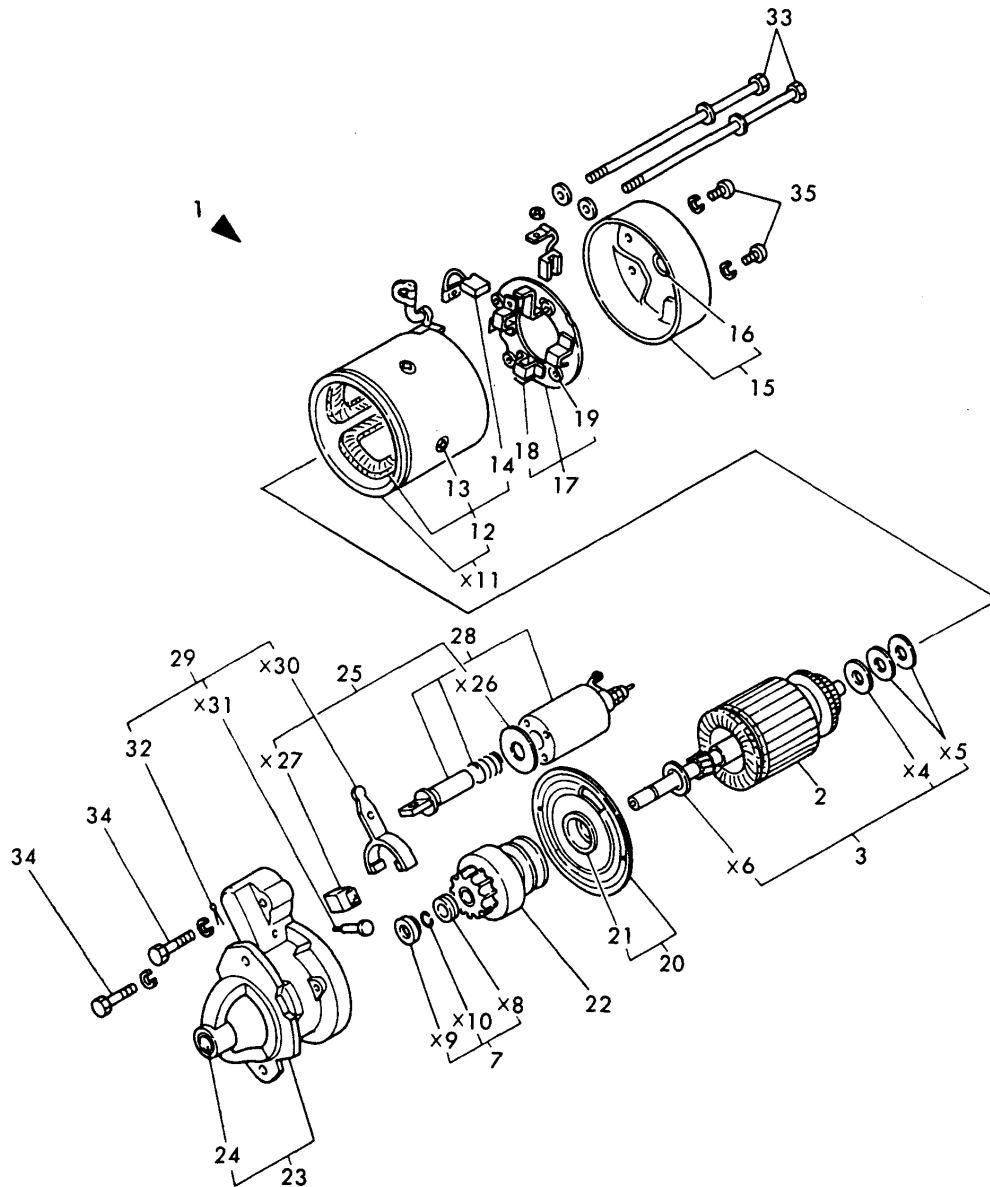
| No. | Lev. | Parts No. | Description | Qty | | | | | | I | R |
|------|------|--------------|----------------------|-----|-----|-----|-----|-----|-----|---|---|
| | | | | (A) | (B) | (C) | (D) | (E) | (F) | | |
| 1 | 1 | 124250-77012 | STARTER, S12-77A | 1 | 1 | 1 | | | | | |
| 2 | 2 | X21207100 | ARMATURE ASSY | 1 | 1 | | | | | | |
| 2-1 | 2 | 124250-77500 | ARMATURE ASSY | 1 | 1 | 1 | | | | | N |
| 3 | 2 | X21201115 | WASHER SET, THRUST | 1 | 1 | | | | | | |
| 3-1 | 2 | 124250-77510 | WASHER KIT | 1 | 1 | 1 | | | | | N |
| 7 | 2 | X21201110 | STOPPER SET | 1 | 1 | | | | | | |
| 7-1 | 2 | 124250-77070 | STOPPER SET, PINION | 1 | 1 | 1 | | | | | N |
| 12 | 2 | X21204259 | COIL ASSY | 1 | 1 | | | | | | |
| 12-1 | 2 | 124250-77110 | COIL ASSY, FIELD | 1 | 1 | 1 | | | | | N |
| 13 | 3 | X21142215 | SCREW | 4 | 4 | | | | | | |
| 13-1 | 3 | 124250-77120 | SCREW SET, PORE CORE | 4 | 4 | 4 | | | | | N |
| 14 | 3 | X21209311 | BRUSH (+) | 2 | 2 | | | | | | |
| 14-1 | 3 | 124250-77130 | BRUSH (+) | 2 | 2 | 2 | | | | | N |
| 15 | 2 | X22501300 | COVER ASSY, REAR | 1 | 1 | | | | | | |
| 15-1 | 2 | 124250-77140 | COVER ASSY, REAR | 1 | 1 | 1 | | | | | N |
| 16 | 3 | X21204302 | METAL, COVER BEARING | 1 | 1 | | | | | | |
| 16-1 | 3 | 124250-77150 | METAL, REAR COVER | 1 | 1 | 1 | | | | | N |
| 17 | 2 | X21205310 | HOLDER ASSY, BRUSH | 1 | 1 | | | | | | |
| 17-1 | 2 | 124250-77160 | HOLDER ASSY, BRUSH | 1 | 1 | 1 | | | | | N |
| 18 | 3 | X21207312 | BRUSH | 2 | 2 | | | | | | |
| 18-1 | 3 | 124250-77170 | BRUSH (-) | 2 | 2 | 2 | | | | | N |
| 19 | 3 | X21201313 | SPRING, BRUSH | 4 | 4 | | | | | | |
| 19-1 | 3 | 124250-77180 | SPRING, BRUSH | 4 | 4 | 4 | | | | | N |
| 20 | 2 | X21205400 | BEARING ASSY | 1 | 1 | | | | | | |
| 20-1 | 2 | 124250-77190 | BEARING ASSY, CENTER | 1 | 1 | 1 | | | | | N |
| 21 | 3 | X21204401 | METAL, CENTER BERG. | 1 | 1 | | | | | | |
| 21-1 | 3 | 124250-77520 | BEARING | 1 | 1 | 1 | | | | | N |
| 22 | 2 | X212045001 | PINION ASSY | 1 | 1 | | | | | | |
| 22-1 | 2 | 124250-77210 | PINION ASSY | 1 | 1 | 1 | | | | | N |
| 23 | 2 | X21205650 | CASE ASSY, GEAR | 1 | 1 | | | | | | |
| 23-1 | 2 | 124250-77220 | CASE ASSY, GEAR | 1 | 1 | 1 | | | | | N |
| 24 | 3 | X21202601 | METAL, GEAR CASE | 1 | 1 | | | | | | |
| 24-1 | 3 | 124250-77230 | METAL, GEAR CASE | 1 | 1 | 1 | | | | | N |
| 25 | 2 | X21202602 | COVER SET | 1 | 1 | | | | | | |
| 25-1 | 2 | 124250-77240 | COVER SET, DUST | 1 | 1 | 1 | | | | | N |

Fig.24. STARTER 12V-1.8KW(TYPE S12-77)

(A)=3T75HA
(B)=3T75HA-F
(C)=3T75HA-S

(D)=
(E)=
(F)=

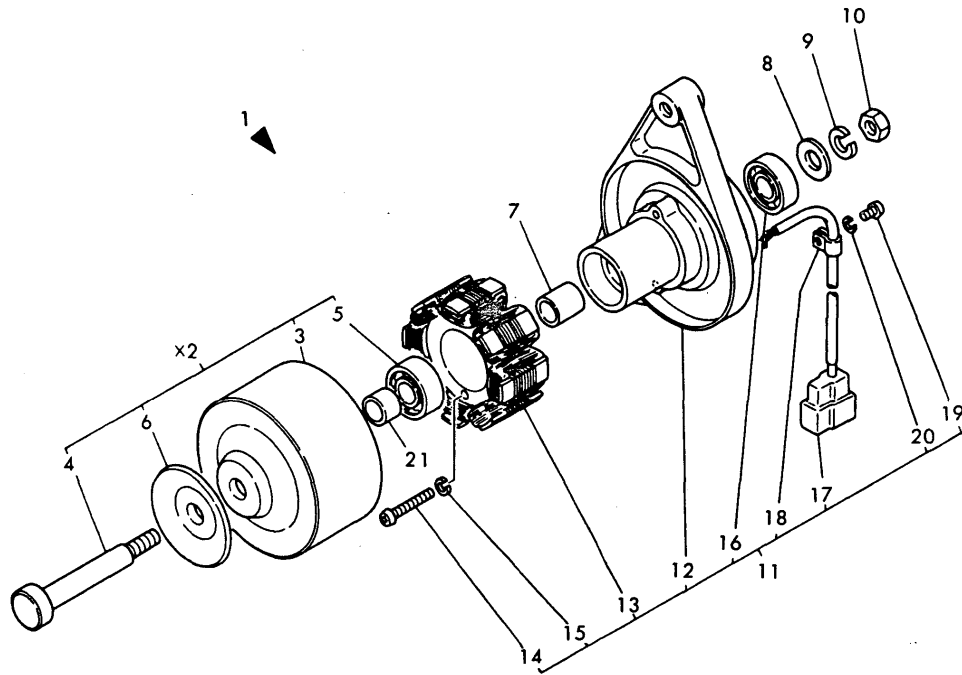
Fig. 24 STARTER 12V-1.8kW (TYPE S12-77)



| No. | Lev. | Parts No. | Description | Qty | | | | | | I | R |
|------|------|---|---------------------|-----|-----|-----|-----|-----|-----|---|---|
| | | | | (A) | (B) | (C) | (D) | (E) | (F) | | |
| | | (A=E/# 98945) (B=E/# 98945) | | | | | | | | | |
| 28 | 2 | X212037002 | SWITCH, MAGNETIC | 1 | 1 | | | | | | |
| 28-1 | 2 | 124250-77310 | SWITCH, MAGNETIC | 1 | 1 | 1 | | | | | N |
| | | (A=E/# 98945) (B=E/# 98945) | | | | | | | | | |
| 29 | 2 | X21201605 | LEVER SET | 1 | 1 | | | | | | |
| 29-1 | 2 | 124250-77270 | LEVER SET, SHIFT | 1 | 1 | 1 | | | | | N |
| | | (A=E/# 98945) (B=E/# 98945) | | | | | | | | | |
| 32 | 3 | 22417-200200 | PIN, COTTER 2.0X20 | 1 | 1 | | | | | | |
| 32-1 | 3 | 124250-77550 | PIN | 1 | 1 | 1 | | | | | N |
| | | (A=E/# A0581) (B=E/# A0581) | | | | | | | | | |
| 33 | 2 | X21204810 | BOLT, THROUGH | 2 | 2 | | | | | | |
| 33-1 | 2 | 124250-77320 | BOLT, THROUGH | 2 | 2 | 2 | | | | | N |
| | | (A=E/# 98945) (B=E/# 98945) | | | | | | | | | |
| 34 | 2 | X21145866 | BOLT | 2 | 2 | | | | | | |
| 34-1 | 2 | 26106-060322 | BOLT, M6X 32 PLATED | 2 | 2 | 2 | | | | | N |
| | | (A=E/# 98945) (B=E/# 98945) | | | | | | | | | |
| 34-2 | 2 | 26106-060322 | BOLT, M6X 32 PLATED | 2 | 2 | 2 | | | | | Z |
| | | (A=*) (B=*) (C=*) | | | | | | | | | |
| 35 | 2 | 26557-040122 | SCREW, M4X12 | 2 | 2 | | | | | | |
| 35-1 | 2 | 124250-77540 | SCREW, M4X12 | 2 | 2 | 2 | | | | | N |
| | | (A=E/# 99189) (B=E/# 99189) | | | | | | | | | |
| 35-2 | 2 | 26557-040122 | SCREW, M4X12 | 2 | 2 | 2 | | | | | N |
| | | (A=E/# A6952) (B=E/# A6952) (C=E/# A6952) | | | | | | | | | |

Fig.25. GENERATOR(TYPE GP9150)

Fig. 25 GENERATOR (TYPE GP9150)



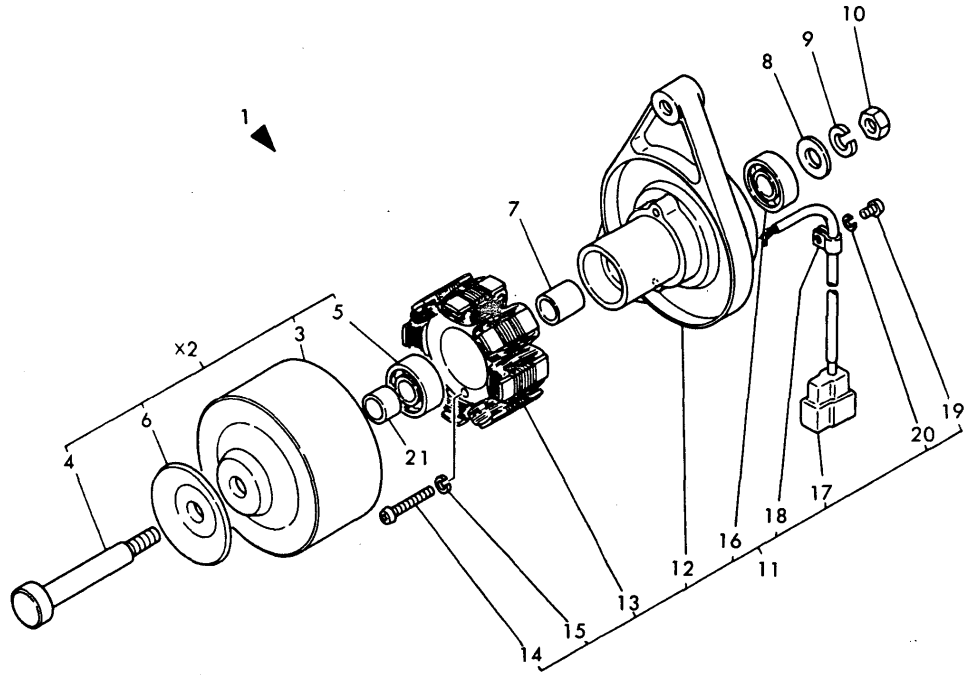
(A)=3T75HA
(B)=3T75HA-F
(C)=3T75HA-S

(D)=
(E)=
(F)=

| No. | Lev. | Parts No. | Description | Q'ty | | | | | | I | R |
|------|------|---------------------------|---------------------|------|-----|-----|-----|-----|-----|---|---|
| | | | | (A) | (B) | (C) | (D) | (E) | (F) | | |
| 1 | 1 | 121450-77200 | DYNAMO, 12V-180W | 1 | 1 | | | | | | |
| 3-1 | 2 | XM622270000 | FLYWHEEL | 1 | 1 | | | | | | N |
| | | (A=FROM 1ST) (B=FROM 1ST) | | | | | | | | | |
| 4 | 3 | 94210M-42927 | SHAFT | 1 | 1 | | | | | | |
| 4-1 | 2 | XM429270000 | SHAFT | 1 | 1 | | | | | | N |
| | | (A=FROM 1ST) (B=FROM 1ST) | | | | | | | | | |
| 5 | 3 | 94210M-86124 | BEARING | 1 | 1 | | | | | | |
| 5-1 | 2 | XM861240000 | B.BEARING #6201ZZC3 | 1 | 1 | | | | | | N |
| | | (A=FROM 1ST) (B=FROM 1ST) | | | | | | | | | |
| 5-2 | 2 | 24107-062010 | BEARING, 6201ZZC3 | 1 | 1 | | | | | | N |
| | | (A=*) (B=*) | | | | | | | | | |
| 6 | 3 | 94210M-42929 | PULLEY | 1 | 1 | | | | | | |
| 6-1 | 2 | XM429290000 | PLATE, PULLEY | 1 | 1 | | | | | | N |
| | | (A=FROM 1ST) (B=FROM 1ST) | | | | | | | | | |
| 7 | 2 | 94210M-32983 | COLLAR | 1 | 1 | | | | | | |
| 7-1 | 2 | XM329830000 | COLLAR | 1 | 1 | | | | | | N |
| | | (A=FROM 1ST) (B=FROM 1ST) | | | | | | | | | |
| 8 | 2 | 94210M-86025 | WASHER | 1 | 1 | | | | | | |
| 8-1 | 2 | XM860250000 | WASHER 10 | 1 | 1 | | | | | | N |
| | | (A=FROM 1ST) (B=FROM 1ST) | | | | | | | | | |
| 9 | 2 | 94210M-21932 | WASHER, SPRING | 1 | 1 | | | | | | |
| 9-1 | 2 | 22217-100000 | WASHER, SPRING 10 | 1 | 1 | | | | | | N |
| | | (A=FROM 1ST) (B=FROM 1ST) | | | | | | | | | |
| 10 | 2 | 94210M-86372 | NUT | 1 | 1 | | | | | | |
| 10-1 | 2 | 26716-100002 | NUT, M10 | 1 | 1 | | | | | | N |
| | | (A=FROM 1ST) (B=FROM 1ST) | | | | | | | | | |
| 10-2 | 2 | 26706-100002 | NUT, M10 | 1 | 1 | | | | | | N |
| | | (A=*1982.11) (B=*1982.11) | | | | | | | | | |
| 11 | 2 | 94210M-51416 | PLATE ASSY | 1 | 1 | | | | | | |
| 11-1 | 2 | XM514160000 | PLATE ASSY | 1 | 1 | | | | | | N |
| | | (A=FROM 1ST) (B=FROM 1ST) | | | | | | | | | |
| 12 | 3 | 94210M-51417 | PLATE | 1 | 1 | | | | | | |
| 12-1 | 3 | XM514170000 | PLATE | 1 | 1 | | | | | | N |
| | | (A=FROM 1ST) (B=FROM 1ST) | | | | | | | | | |
| 13 | 3 | 94210M-51418 | CORE ASSY | 1 | 1 | | | | | | |
| 13-1 | 3 | XM514180000 | STATOR | 1 | 1 | | | | | | N |
| | | (A=FROM 1ST) (B=FROM 1ST) | | | | | | | | | |
| 14 | 3 | 26557-040252 | SCREW, M4X25 | 2 | 2 | | | | | | |
| 15 | 3 | 22217-040000 | WASHER, SPRING 4 | 2 | 2 | | | | | | |
| 16 | 3 | 94210M-86124 | BEARING | 1 | 1 | | | | | | |
| 16-1 | 3 | XM861240000 | B.BEARING #6201ZZC3 | 1 | 1 | | | | | | N |
| | | (A=FROM 1ST) (B=FROM 1ST) | | | | | | | | | |
| 16-2 | 3 | 24107-062010 | BEARING, 6201ZZC3 | 1 | 1 | | | | | | N |
| | | (A=*) (B=*) | | | | | | | | | |
| 17 | 3 | 94210M-96717 | COUPLER | 1 | 1 | | | | | | |
| 17-1 | 3 | XM967170000 | COUPLER | 1 | 1 | | | | | | N |
| | | (A=FROM 1ST) (B=FROM 1ST) | | | | | | | | | |
| 18 | 3 | 94210M-06900 | CLAMP | 1 | 1 | | | | | | |
| 18-1 | 3 | XM069000000 | CLAMP | 1 | 1 | | | | | | N |
| | | (A=FROM 1ST) (B=FROM 1ST) | | | | | | | | | |
| 19 | 3 | 26557-040082 | SCREW, M4X 8 | 1 | 1 | | | | | | |

Fig.25. GENERATOR(TYPE GP9150)

Fig. 25 GENERATOR (TYPE GP9150)



(A)=3T75HA
 (B)=3T75HA-F
 (C)=3T75HA-S

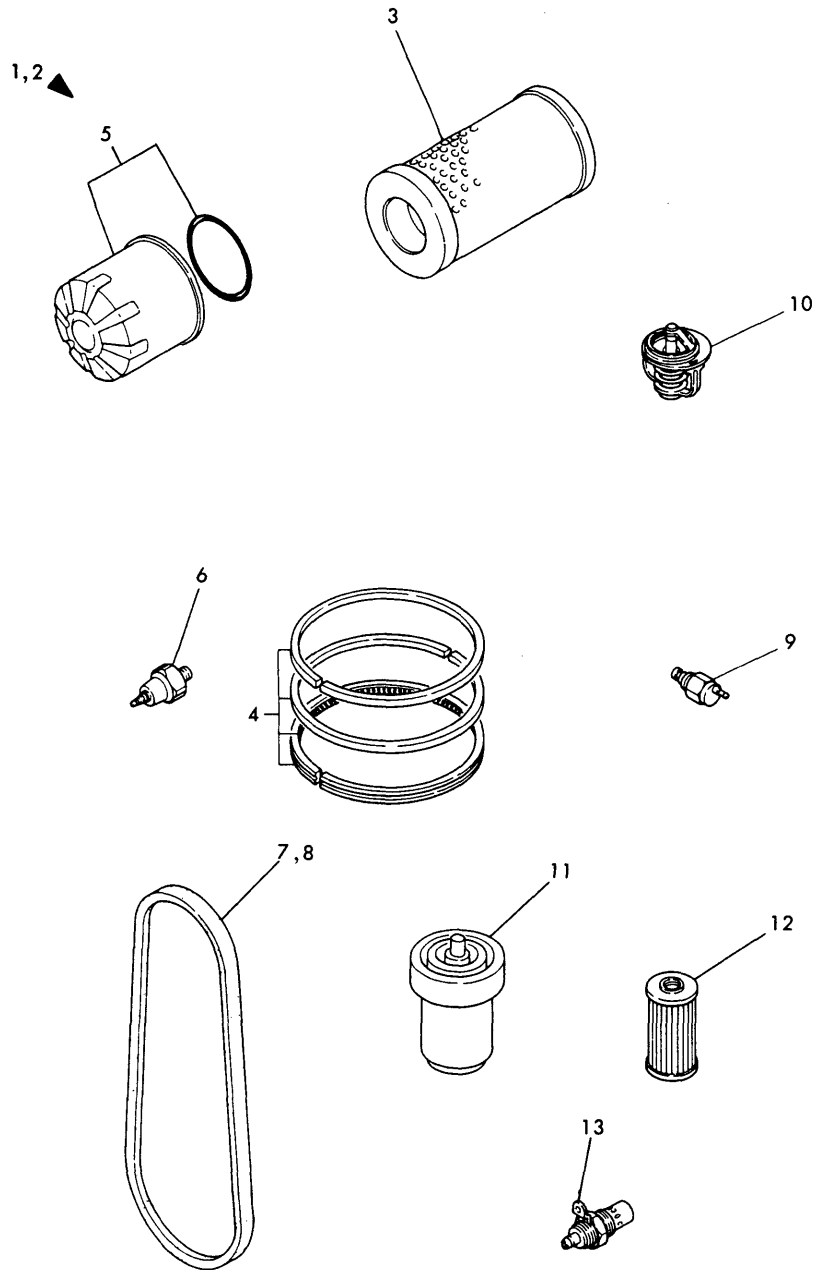
(D)=
 (E)=
 (F)=

| No. | Lev. | Parts No. | Description | Q'ty | | | | | | I | R |
|------|------|--------------|------------------|------|-----|-----|-----|-----|-----|---|---|
| | | | | (A) | (B) | (C) | (D) | (E) | (F) | | |
| 20 | 3 | 22217-040000 | WASHER, SPRING 4 | 1 | 1 | | | | | | |
| 21 | 2 | 94210M-42802 | COLLAR | 1 | 1 | | | | | | |
| 21-1 | 2 | XM428020000 | COLLAR | 1 | 1 | | | | | | N |

(A)=FROM 1ST (B)=FROM 1ST

Fig.26. REPAIR KIT(A)(FOR ENGINE)

Fig. 26 REPAIR KIT (A) [For Engine]



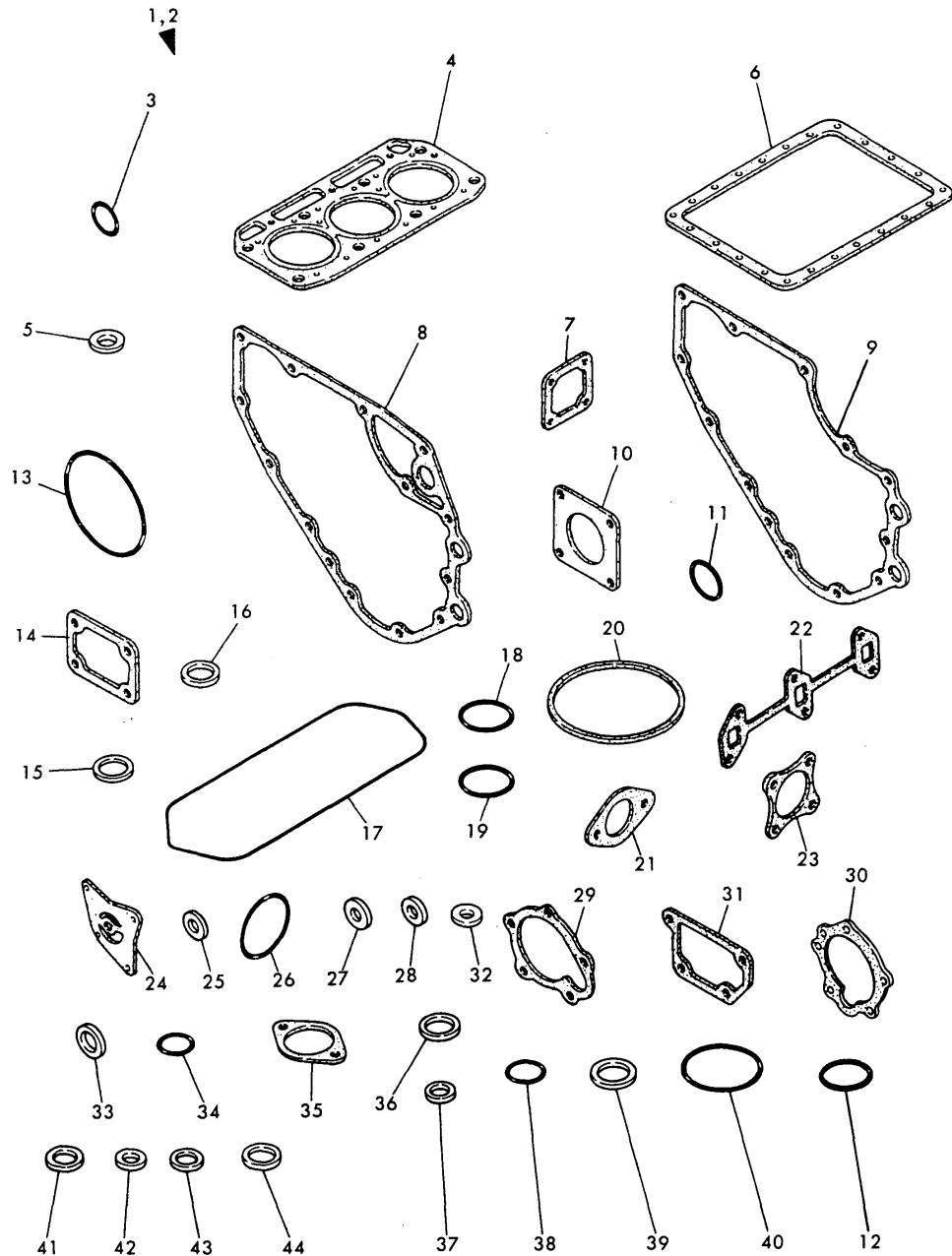
(A)=3T75HA
(B)=3T75HA-F
(C)=3T75HA-S

(D)=
(E)=
(F)=

| No. | Lev. | Parts No. | Description | Qty | | | | | | I | R |
|-----|------|-----------------------------|----------------------|-----|-----|-----|-----|-----|-----|---|---|
| | | | | (A) | (B) | (C) | (D) | (E) | (F) | | |
| 1 | 1 | 721554-92500 | REPAIR KIT | 1 | 1 | | | | | | |
| 2 | 1 | 721554-92501 | REPAIR KIT | | | 1 | | | | | |
| 3 | 2 | 124064-12510 | ELEMENT | 1 | 1 | 1 | | | | | |
| 4 | 2 | 705311-22500 | RING SET, PISTON | 3 | 3 | | | | | | |
| 4-1 | 2 | 705311-22501 | RING SET, PISTON | 3 | 3 | 3 | | | | | N |
| | | (A=E/# 93876) (B=E/# 93876) | | | | | | | | | |
| 5 | 2 | 124450-35100 | FILTER, OIL | 1 | 1 | 1 | | | | | |
| 6 | 2 | 124160-39450 | SWITCH, 0.5KG | 1 | 1 | 1 | | | | | |
| 7 | 2 | 121023-42290 | V-BELT, AX33 | 1 | 1 | | | | | | |
| 8 | 2 | 124736-42290 | V-BELT, A34 | | | | 1 | | | | |
| 9 | 2 | 121250-44901 | SWITCH, 110 | 1 | 1 | 1 | | | | | |
| 10 | 2 | 129350-49800 | THERMOSTAT, 71 | 1 | 1 | 1 | | | | | |
| 11 | 2 | 124770-53000 | VALVE ASSY,INJECTION | 3 | 3 | 3 | | | | | |
| 12 | 2 | 124550-55700 | FILTER, FUEL L=90 | 1 | 1 | 1 | | | | | |
| 13 | 2 | 121023-77910 | PLUG, THERMOSTAT | 1 | 1 | 1 | | | | | |

Fig.27. GASKET KIT(A)(FOR ENGINE)

Fig. 27 GASKET (A) [For Engine]



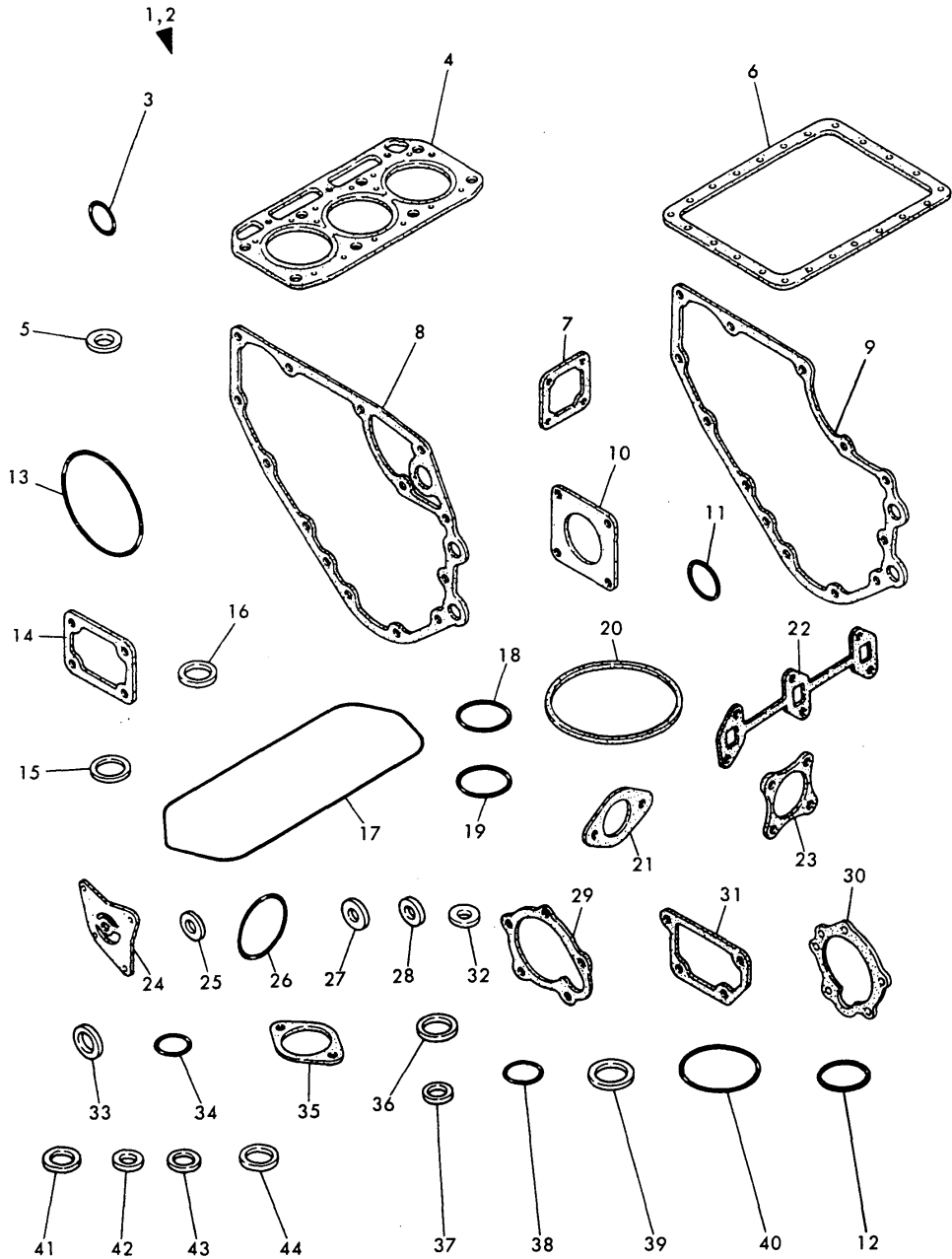
(A)=3T75HA
(B)=3T75HA-F
(C)=3T75HA-S

(D)=
(E)=
(F)=

| No. | Lev. | Parts No. | Description | Q'ty | | | | | | I | R |
|------|------|---|--------------------|------|-----|-----|-----|-----|-----|---|---|
| | | | | (A) | (B) | (C) | (D) | (E) | (F) | | |
| 1 | 1 | 721554-92600 | GASKET SET | 1 | 1 | | | | | | 1 |
| 2 | 1 | 721554-92601 | GASKET SET | | | 1 | | | | | 1 |
| 3 | 2 | 24311-000100 | O-RING, 1AP10.0 | 2 | 2 | 2 | | | | | |
| 4 | 2 | 121550-01330 | GASKET, HEAD | 1 | 1 | | | | | | |
| 4-1 | 2 | 121550-01331 | GASKET, HEAD | 1 | 1 | 1 | | | | | N |
| | | (A=E/# 87329) (B=E/# 87329) | | | | | | | | | |
| 5 | 2 | 43400-500450 | SEAL WASHER 12 | 1 | 1 | 1 | | | | | |
| 6 | 2 | 121575-01750 | GASKET, OIL SUMP | 1 | 1 | 1 | | | | | |
| 7 | 2 | 121450-01531 | GASKET | 1 | 1 | 1 | | | | | |
| 8 | 2 | 121450-01511 | GASKET, GEAR CASE | 1 | 1 | | | | | | |
| 9 | 2 | 121575-01510 | GASKET, GEAR CASE | | | | | | | 1 | |
| 10 | 2 | 124240-01882 | GASKET | 2 | 2 | 2 | | | | | |
| 10-1 | 2 | 124240-01883 | GASKET | 2 | 2 | 2 | | | | | N |
| | | (A=E/# B0116) (B=E/# B0116) (C=E/# B0116) | | | | | | | | | |
| 11 | 2 | 24341-000260 | O-RING, 1AS26.0 | 1 | 1 | | | | | | |
| 12 | 2 | 24341-000460 | O-RING, 1AS46.0 | | | | | | | 1 | |
| 13 | 2 | 24341-001350 | O-RING, 1AS135.0 | 1 | 1 | 1 | | | | | |
| 14 | 2 | 121450-11680 | GASKET | 1 | 1 | 1 | | | | | |
| 15 | 2 | 121550-11451 | GASKET, CHAMBER | 6 | 6 | 6 | | | | | |
| 16 | 2 | 103854-11490 | INSULATOR | 3 | 3 | 3 | | | | | |
| 17 | 2 | 121550-11310 | GASKET, BONNET | 1 | 1 | 1 | | | | | |
| 18 | 2 | 121420-01760 | O-RING | 1 | 1 | | | | | | |
| 18-1 | 2 | 24311-000320 | O-RING, 1AP32.0 | 1 | 1 | 1 | | | | | N |
| | | (A=E/# 93876) (B=E/# 93876) | | | | | | | | | |
| 19 | 2 | 24341-000400 | O-RING, 1AS40.0 | 1 | 1 | 1 | | | | | |
| 20 | 2 | 124064-12430 | GASKET | 2 | 2 | 2 | | | | | |
| 21 | 2 | 124067-12050 | GASKET | 1 | 1 | 1 | | | | | |
| 22 | 2 | 121550-13520 | GASKET | 1 | 1 | 1 | | | | | |
| 23 | 2 | 121450-13200 | GASKET, SILENCER | 1 | 1 | 1 | | | | | |
| 24 | 2 | 121450-32021 | GASKET, PUMP | 1 | 1 | 1 | | | | | |
| 25 | 2 | 121550-35110 | GASKET, 18 | 1 | 1 | 1 | | | | | |
| 26 | 2 | 124450-35110 | O-RING | 1 | 1 | 1 | | | | | |
| 27 | 2 | 23414-100000 | GASKET, 10X1.0 | 2 | 2 | 2 | | | | | |
| 28 | 2 | 23414-080000 | GASKET, 8X1.0 | 6 | 6 | 6 | | | | | |
| 29 | 2 | 121450-42050 | GASKET, WATER PUMP | 1 | 1 | | | | | | |
| 30 | 2 | 121000-42051 | GASKET, WATER PUMP | | | | | | | 1 | |
| 31 | 2 | 121450-44410 | GASKET | 1 | 1 | 1 | | | | | |
| 32 | 2 | 43400-500410 | SEAL WASHER 8 | | | | | | | 1 | |
| 33 | 2 | 124465-44950 | GASKET, 16 | 1 | 1 | 1 | | | | | |
| 34 | 2 | 24311-000120 | O-RING, 1AP12.0 | 1 | 1 | 1 | | | | | |
| 35 | 2 | 129350-49540 | GASKET | 1 | 1 | 1 | | | | | |
| 35-1 | 2 | 129350-49541 | GASKET | 1 | 1 | 1 | | | | | N |
| | | (A=E/# B0116) (B=E/# B0116) (C=E/# B0116) | | | | | | | | | |
| 36 | 2 | 124950-51270 | GASKET | 3 | 3 | 3 | | | | | |
| 37 | 2 | 124550-51350 | GASKET, DELIVERY | 3 | 3 | 3 | | | | | |
| 38 | 2 | 124550-51370 | O-RING | 3 | 3 | 3 | | | | | |
| 39 | 2 | 172100-53200 | GASKET | 3 | 3 | 3 | | | | | |
| 40 | 2 | 102103-55520 | O-RING | 1 | 1 | 1 | | | | | |
| 41 | 2 | 104200-59170 | GASKET, 12 | 2 | 2 | 2 | | | | | |
| 42 | 2 | 43400-500390 | SEAL WASHER 6 | 1 | 1 | 1 | | | | | |
| 43 | 2 | 23414-080012 | GASKET, 8X1.0 | 6 | 6 | 6 | | | | | |

Fig.27. GASKET KIT(A)(FOR ENGINE)

Fig. 27 GASKET (A) [For Engine]



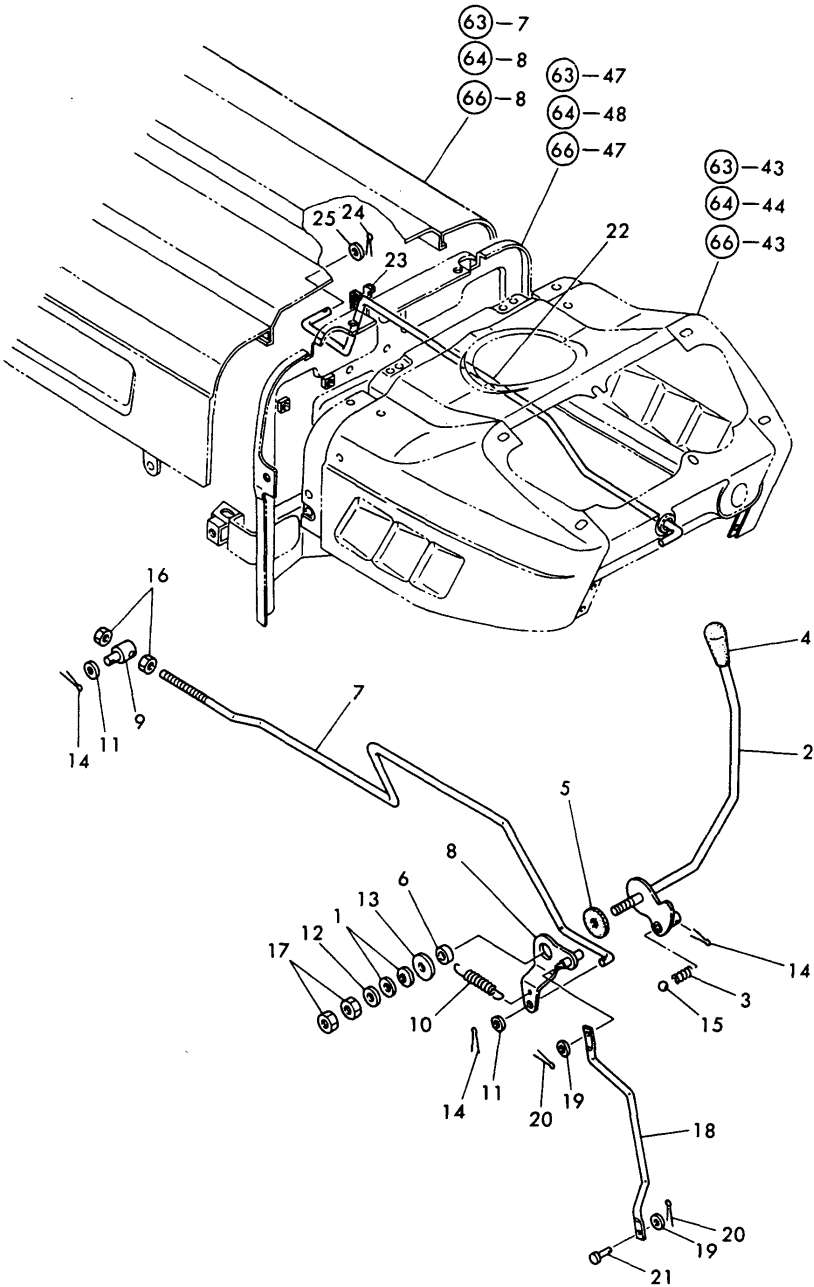
(A)=3T75HA
(B)=3T75HA-F
(C)=3T75HA-S

(D)=
(E)=
(F)=

| No. | Lev. | Parts No. | Description | Q'ty | | | | | | I | R |
|-----|------|--------------|----------------|------|-----|-----|-----|-----|-----|---|---|
| | | | | (A) | (B) | (C) | (D) | (E) | (F) | | |
| 44 | 2 | 43400-500450 | SEAL WASHER 12 | 2 | 2 | 2 | | | | | |
| | | | | | | | | | | | |
| | | | | | | | | | | | |
| | | | | | | | | | | | |
| | | | | | | | | | | | |
| | | | | | | | | | | | |
| | | | | | | | | | | | |
| | | | | | | | | | | | |
| | | | | | | | | | | | |
| | | | | | | | | | | | |
| | | | | | | | | | | | |
| | | | | | | | | | | | |
| | | | | | | | | | | | |
| | | | | | | | | | | | |
| | | | | | | | | | | | |
| | | | | | | | | | | | |
| | | | | | | | | | | | |
| | | | | | | | | | | | |

Fig.28. THROTTLE (EXCEPT ENGLAND)

Fig. 28 THROTTLE (Except England)



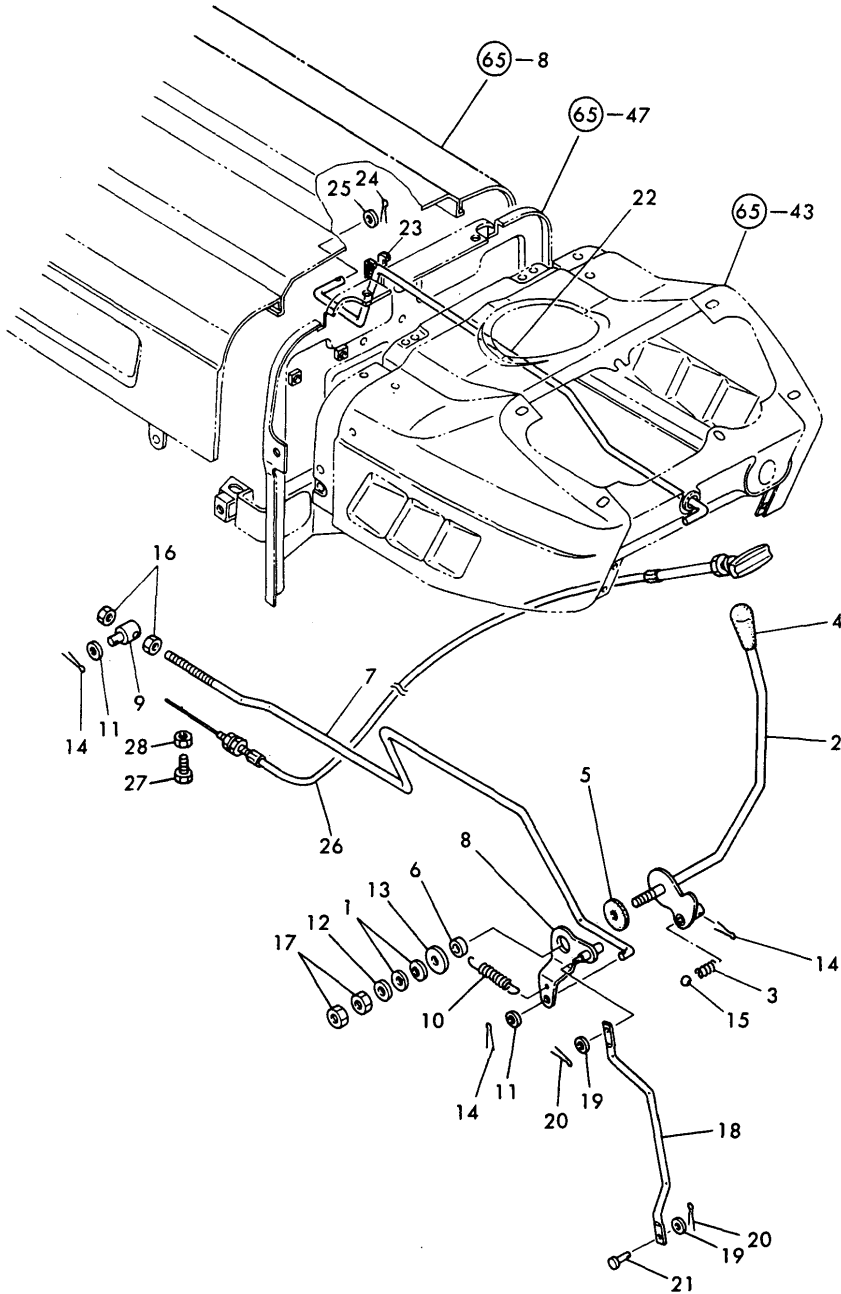
(A)=YM226
(B)=YM226D
(C)=

(D)=
(E)=
(F)=

| No. | Lev. | Parts No. | Description | Qty | | | | | | I | R |
|-----------------------------|------|----------------|--------------------|-----|-----|-----|-----|-----|-----|---|---|
| | | | | (A) | (B) | (C) | (D) | (E) | (F) | | |
| 1 | 1 | 194740-00160 | SPRING, 10 | 2 | 2 | | | | | | |
| 2 | 1 | 194432-01110 | LEVER, THROTTLE | 1 | 1 | | | | | | |
| 3 | 1 | 194197-01160 | SPRING | 1 | 1 | | | | | | |
| 4 | 1 | 194464-01190 | KNOB, LEVER | 1 | 1 | | | | | | |
| 5 | 1 | 194145-01260 | PLATE, FRICTION | 1 | 1 | | | | | | |
| 5-1 | 1 | 198220-01261 | PLATE, FRICTION | 1 | 1 | | | | | | N |
| (A=T/# 20793) (B=T/# 42284) | | | | | | | | | | | |
| 6 | 1 | 194150-01270 | SPACER, 20 | 1 | 1 | | | | | | |
| 7 | 1 | 194432-01320 | ROD, THROTTLE LINK | 1 | 1 | | | | | | |
| 8 | 1 | 194420-01351 | LEVER, LINK | 1 | 1 | | | | | | |
| 9 | 1 | 194150-01370 | ADJUSTER | 1 | 1 | | | | | | |
| 10 | 1 | 194750-04400 | SPRING, RETURN | 1 | 1 | | | | | | |
| 11 | 1 | 22137-080000 | WASHER, 8 | 2 | 2 | | | | | | |
| 12 | 1 | 22137-100000 | WASHER, 10 | 1 | 1 | | | | | | |
| 13 | 1 | 22157-100000 | WASHER, 10 | 1 | 1 | | | | | | |
| 14 | 1 | 22417-160180 | PIN, COTTER 1.6X18 | 3 | 3 | | | | | | |
| 15 | 1 | 24190-110001 | BALL, STEEL 11/32 | 1 | 1 | | | | | | |
| 16 | 1 | 26716-080002 | NUT, M8 | 2 | 2 | | | | | | |
| 17 | 1 | 26716-100002 | NUT, M10 | 2 | 2 | | | | | | |
| 18 | 1 | 194432-01440-U | ROD, THROTTLE LINK | 1 | 1 | | | | | | |
| 18-1 | 1 | 194432-01441 | ROD, THROTTLE LINK | 1 | 1 | | | | | | N |
| (A=T/# 20670) (B=T/# 41360) | | | | | | | | | | | |
| 19 | 1 | 22137-060000 | WASHER, 6 | 2 | 2 | | | | | | |
| 20 | 1 | 22417-160180 | PIN, COTTER 1.6X18 | 2 | 2 | | | | | | |
| 21 | 1 | 22486-060120 | PIN, H 6X 12 | 1 | 1 | | | | | | |
| 21-1 | 1 | 22487-060120 | PIN, H 6X 12 | 1 | 1 | | | | | | N |
| (A=*) (B=*) | | | | | | | | | | | |
| 22 | 1 | 194430-01510 | ROD, DECOMPRESSION | 1 | 1 | | | | | | |
| 23 | 1 | 194440-01550 | GROMMET | 1 | 1 | | | | | | |
| 24 | 1 | 22417-160180 | PIN, COTTER 1.6X18 | 1 | 1 | | | | | | |
| 25 | 1 | 23418-060000 | GASKET, 6X1.0 | 1 | 1 | | | | | | |

Fig.29. THROTTLE (FOR ENGLAND)

Fig. 29 THROTTLE (England)



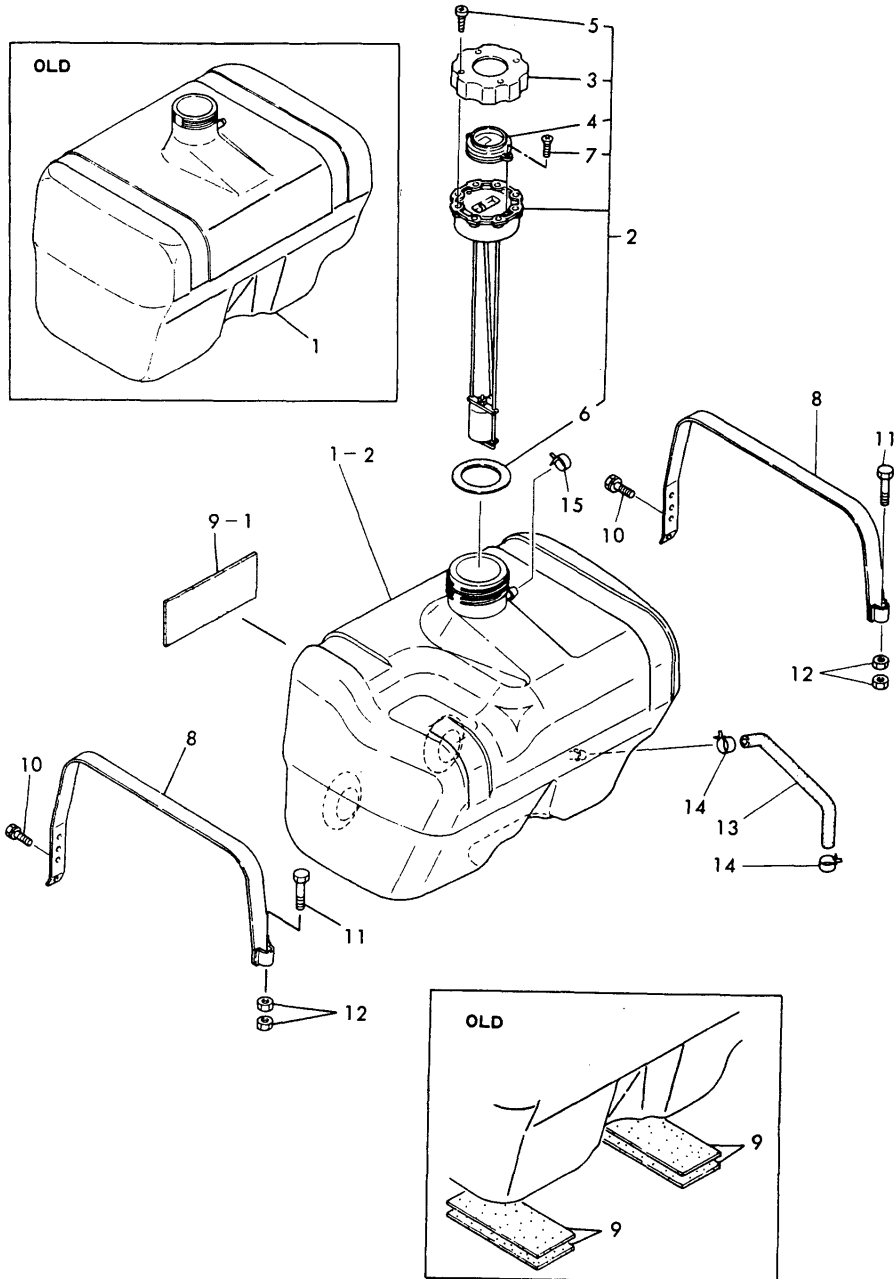
(A)=YM226
(B)=YM226D
(C)=

(D)=
(E)=
(F)=

| No. | Lev. | Parts No. | Description | Q'ty | | | | | | I | R |
|-----------------------------|------|--------------|---------------------|------|-----|-----|-----|-----|-----|---|---|
| | | | | (A) | (B) | (C) | (D) | (E) | (F) | | |
| 1 | 1 | 194740-00160 | SPRING, 10 | 2 | 2 | | | | | | |
| 2 | 1 | 194432-01110 | LEVER, THROTTLE | 1 | 1 | | | | | | |
| 3 | 1 | 194197-01160 | SPRING | 1 | 1 | | | | | | |
| 4 | 1 | 194464-01190 | KNOB, LEVER | 1 | 1 | | | | | | |
| 5 | 1 | 194145-01260 | PLATE, FRICTION | 1 | 1 | | | | | | |
| 5-1 | 1 | 198220-01261 | PLATE, FRICTION | 1 | 1 | | | | | | N |
| (A=T/# 20793) (B=T/# 42284) | | | | | | | | | | | |
| 6 | 1 | 194150-01270 | SPACER, 20 | 1 | 1 | | | | | | |
| 7 | 1 | 194432-01320 | ROD, THROTTLE LINK | 1 | 1 | | | | | | |
| 8 | 1 | 194420-01351 | LEVER, LINK | 1 | 1 | | | | | | |
| 9 | 1 | 194150-01370 | ADJUSTER | 1 | 1 | | | | | | |
| 10 | 1 | 194750-04400 | SPRING, RETURN | 1 | 1 | | | | | | |
| 11 | 1 | 22137-080000 | WASHER, 8 | 2 | 2 | | | | | | |
| 12 | 1 | 22137-100000 | WASHER, 10 | 1 | 1 | | | | | | |
| 13 | 1 | 22157-100000 | WASHER, 10 | 1 | 1 | | | | | | |
| 14 | 1 | 22417-160180 | PIN, COTTER 1.6X18 | 3 | 3 | | | | | | |
| 15 | 1 | 24190-110001 | BALL, STEEL 11/32 | 1 | 1 | | | | | | |
| 16 | 1 | 26716-080002 | NUT, M8 | 2 | 2 | | | | | | |
| 17 | 1 | 26716-100002 | NUT, M10 | 2 | 2 | | | | | | |
| 18 | 1 | 194432-01441 | ROD, THROTTLE LINK | 1 | 1 | | | | | | |
| 19 | 1 | 22137-060000 | WASHER, 6 | 2 | 2 | | | | | | |
| 20 | 1 | 22417-160180 | PIN, COTTER 1.6X18 | 2 | 2 | | | | | | |
| 21 | 1 | 22487-060120 | PIN, H 6X 12 | 1 | 1 | | | | | | |
| 22 | 1 | 194430-01510 | ROD, DECOMPRESSION | 1 | 1 | | | | | | |
| 23 | 1 | 194440-01550 | GROMMET | 1 | 1 | | | | | | |
| 24 | 1 | 22417-160180 | PIN, COTTER 1.6X18 | 1 | 1 | | | | | | |
| 25 | 1 | 23418-060000 | GASKET, 6X1.0 | 1 | 1 | | | | | | |
| 26 | 1 | 194172-01500 | WIRE ASSY,STOP | 1 | 1 | | | | | | |
| 27 | 1 | 26116-050142 | BOLT, M5X 14 PLATED | 1 | 1 | | | | | | |
| 28 | 1 | 26756-050002 | NUT, LOCK M5 | 1 | 1 | | | | | | |

Fig.30. FUEL TANK

Fig. 30 FUEL TANK



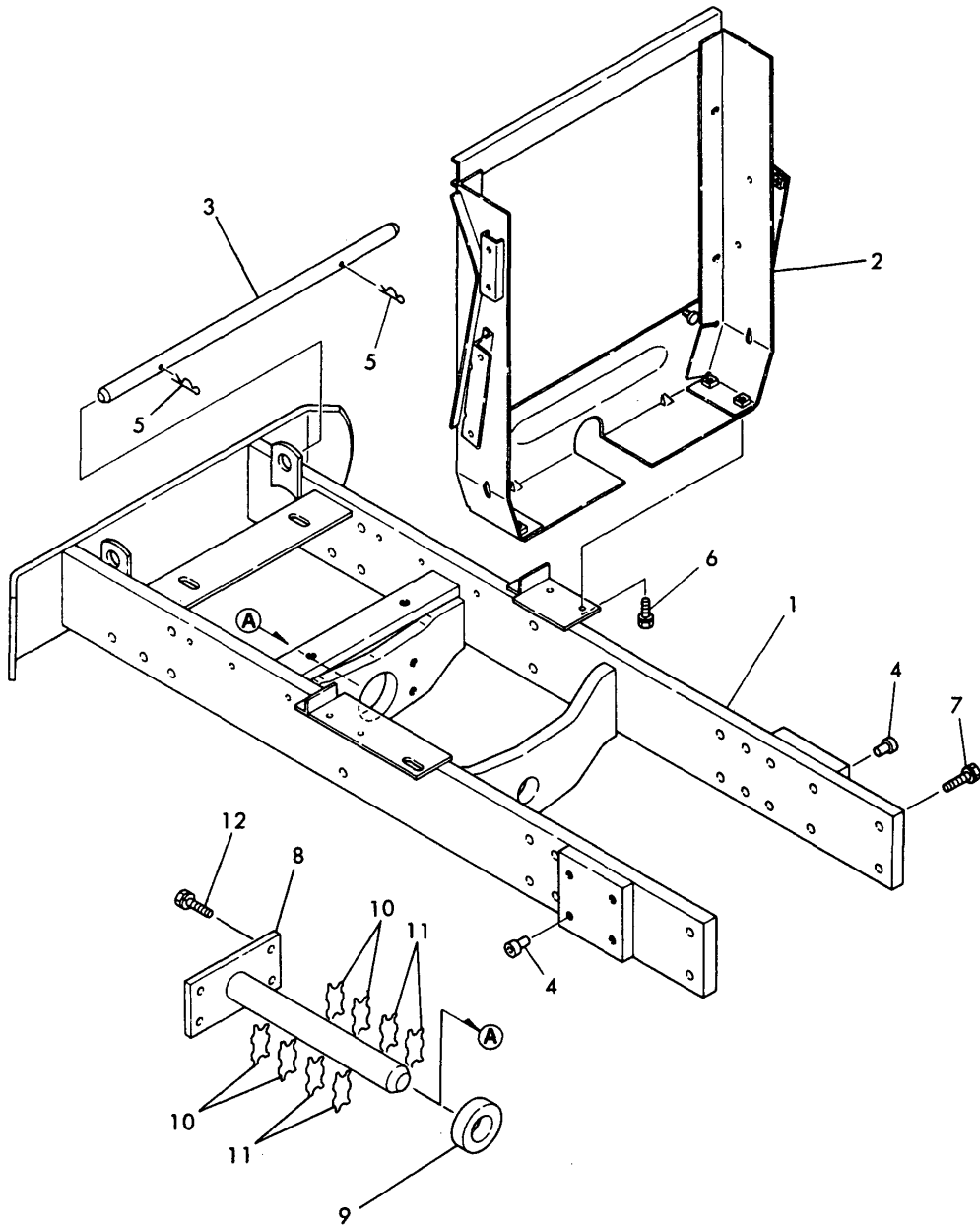
(A)=YM226
(B)=YM226D
(C)=

(D)=
(E)=
(F)=

| No. | Lev. | Parts No. | Description | Q'ty | | | | | | I | R |
|------|------|-----------------------------|----------------------|------|-----|-----|-----|-----|-----|---|-----|
| | | | | (A) | (B) | (C) | (D) | (E) | (F) | | |
| 1 | 1 | 194432-04110 | TANK (19L), FUEL | 1 | 1 | | | | | | |
| 1-1 | 1 | 194432-04111 | TANK (19L), FUEL | 1 | 1 | | | | | | S 1 |
| | | (A=*1981.) (B=*1981.) | | | | | | | | | |
| 1-2 | 1 | 194432-04112 | TANK (19L), FUEL | 1 | 1 | | | | | | N |
| | | (A=T/# 20274) (B=T/# 40587) | | | | | | | | | |
| 2 | 1 | 194145-04302 | CAP ASSY, TANK | 1 | 1 | | | | | | |
| 3 | 2 | 194145-04311 | CAP, FUEL TANK | 1 | 1 | | | | | | |
| 4 | 2 | 194145-04351 | LENS | 1 | 1 | | | | | | |
| 5 | 2 | 194145-04460 | SCREW, TAPPING M4X12 | 4 | 4 | | | | | | |
| 6 | 2 | 194145-04521 | GASKET | 1 | 1 | | | | | | |
| 7 | 2 | 26557-030062 | SCREW, M3X 6 | 2 | 2 | | | | | | |
| 8 | 1 | 194310-04250 | BAND, FUEL TANK | 2 | 2 | | | | | | |
| 9 | 1 | 194151-04260 | GASKET, FUEL TANK | 4 | 4 | | | | | | |
| 9-1 | 1 | 194151-04260 | GASKET, FUEL TANK | 1 | 1 | | | | | | K |
| | | (A=*1981.) (B=*1981.) | | | | | | | | | |
| 10 | 1 | 26013-080162 | BOLT, M8X 16 | 2 | 2 | | | | | | |
| 10-1 | 1 | 26106-080162 | BOLT, M8X 16 PLATED | 2 | 2 | | | | | | N |
| | | (A=T/# 20793) (B=T/# 42307) | | | | | | | | | |
| 11 | 1 | 26116-080502 | BOLT, M8X 50 PLATED | 2 | 2 | | | | | | |
| 11-1 | 1 | 26106-080502 | BOLT, M8X 50 PLATED | 2 | 2 | | | | | | N |
| | | (A=T/# 20793) (B=T/# 42307) | | | | | | | | | |
| 12 | 1 | 26716-080002 | NUT, M8 | 4 | 4 | | | | | | |
| 13 | 1 | 194136-04720 | PIPE, FUEL OIL | 1 | 1 | | | | | | |
| 14 | 1 | 124766-59050 | CLIP, HOSE 12 | 2 | 2 | | | | | | |
| 14-1 | 1 | 23080-012000 | CLAMP, 12 | 2 | 2 | | | | | | N |
| | | (A=T/# 20704) (B=T/# 41742) | | | | | | | | | |
| 15 | 1 | 124060-77680 | CLIP, HOSE 10 | 1 | 1 | | | | | | |

Fig.31. FRONT AXLE BRACKET

Fig. 31 FRONT AXLE BLACKET



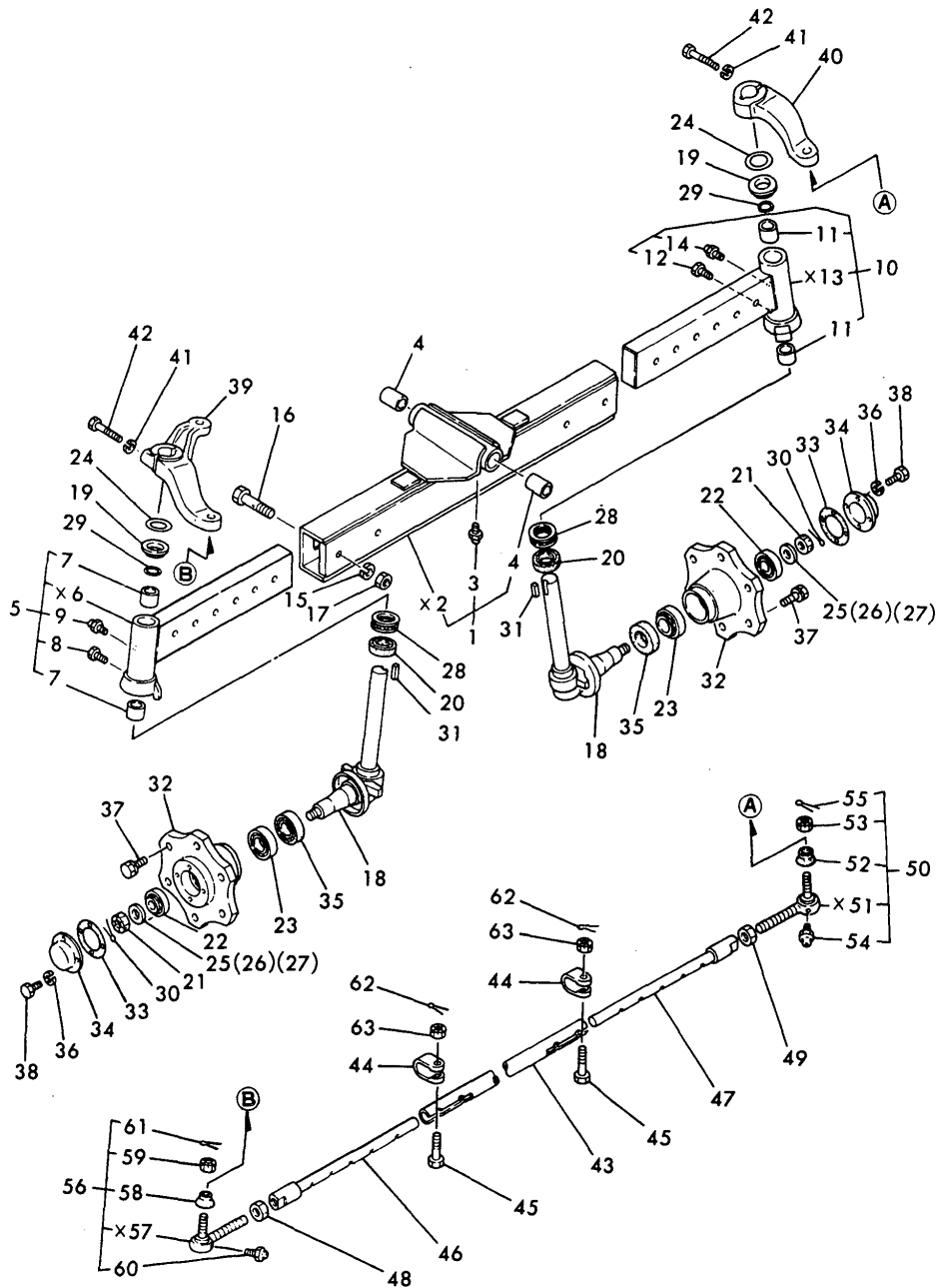
(A)=YM226
(B)=YM226D
(C)=

(D)=
(E)=
(F)=

| No. | Lev. | Parts No. | Description | Qty | | | | | | I | R |
|-----|------|-----------------------------|---------------------|-----|-----|-----|-----|-----|-----|---|---|
| | | | | (A) | (B) | (C) | (D) | (E) | (F) | | |
| 1 | 1 | 194432-11110-X | BRACKET, FRONT AXLE | 1 | 1 | | | | | | |
| 1-1 | 1 | 194432-11111-X | BRACKET, FRONT AXLE | 1 | 1 | | | | | | N |
| | | (A=T/# 20705) (B=T/# 41820) | | | | | | | | | |
| 1-2 | 1 | 194432-11112-X | BRACKET, FRONT AXLE | 1 | 1 | | | | | | N |
| | | (A=T/# 20768) (B=T/# 42059) | | | | | | | | | |
| 2 | 1 | 194432-11130-X | BRACKET, RADIATOR | 1 | 1 | | | | | | |
| 3 | 1 | 194432-11140 | PIN, LOCK | 1 | 1 | | | | | | |
| 4 | 1 | 194150-21910 | PLUG, 11.2 | 8 | 8 | | | | | | |
| 5 | 1 | 22360-160000 | PIN, SNAP 16 | 2 | 2 | | | | | | |
| 6 | 1 | 26013-080162 | BOLT, M8X 16 | 4 | 4 | | | | | | |
| 6-1 | 1 | 26106-080162 | BOLT, M8X 16 PLATED | 4 | 4 | | | | | | N |
| | | (A=T/# 20793) (B=T/# 42307) | | | | | | | | | |
| 7 | 1 | 26013-120302 | BOLT, M12X 30 | 12 | 12 | | | | | | |
| 8 | 1 | 194311-11510-X | PIN, CENTER | 1 | 1 | | | | | | |
| 9 | 1 | 194311-11520 | SPACER, 30X55X18 | 4 | 4 | | | | | | |
| 9-1 | 1 | 194311-11520 | SPACER, 30X55X18 | 1 | 1 | | | | | | K |
| | | (A=EXXX) (B=EXXX) | | | | | | | | | |
| 10 | 1 | 194191-13232 | SHIM (T=0.5) | 4 | 4 | | | | | | 1 |
| 11 | 1 | 194191-13240 | SHIM, T=0.25 | 4 | 4 | | | | | | 1 |
| 12 | 1 | 26013-120302 | BOLT, M12X 30 | 4 | 4 | | | | | | |

Fig.32. FRONT AXLE(FOR YM226)

Fig. 32 FRONT AXLE [For Model YM226]



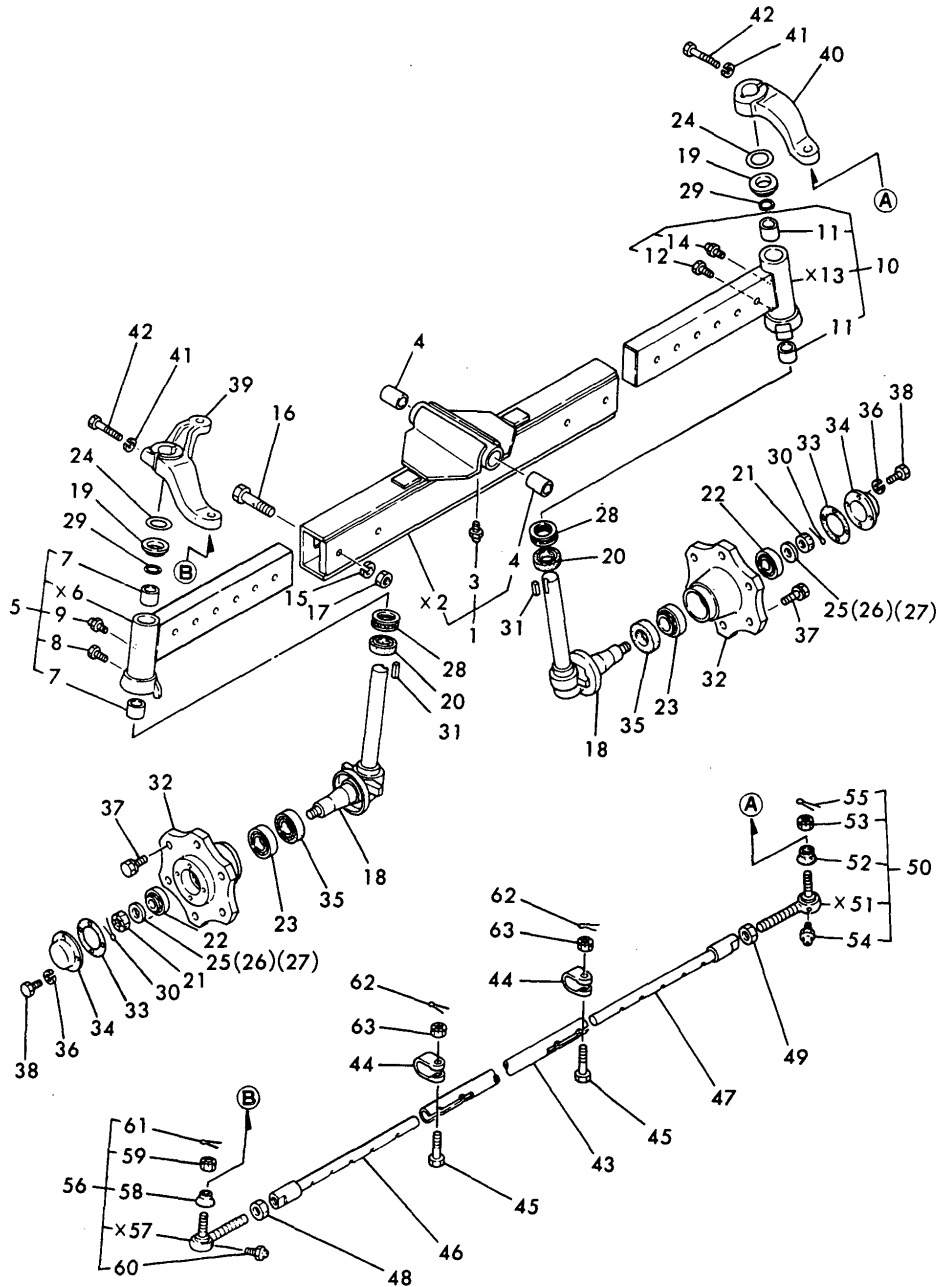
(A)=YM226
(B)=YM226D
(C)=

(D)=
(E)=
(F)=

| No. | Lev. | Parts No. | Description | Q'ty | | | | | | I | R |
|--------------|------|----------------|----------------------|------|-----|-----|-----|-----|-----|---|---|
| | | | | (A) | (B) | (C) | (D) | (E) | (F) | | |
| 1 | 1 | 194432-11210-X | AXLE ASSY, FRONT | 1 | | | | | | | |
| 3 | 2 | 24761-060000 | NIPPLE, GREASE MT6X1 | 1 | | | | | | | |
| 4 | 2 | 194312-11520 | BUSH, 30X34X25 | 2 | | | | | | | |
| 5 | 1 | 194432-11300-X | EXTENSION | 1 | | | | | | | |
| 7 | 2 | 194464-11340 | BUSH, 30X34X32 | 2 | | | | | | | |
| 8 | 2 | 194145-11350 | BOLT, M6X5 | 1 | | | | | | | |
| 9 | 2 | 24761-060000 | NIPPLE, GREASE MT6X1 | 1 | | | | | | | |
| 10 | 1 | 194432-11400-X | EXTENSION | 1 | | | | | | | |
| 11 | 2 | 194464-11340 | BUSH, 30X34X32 | 2 | | | | | | | |
| 12 | 2 | 194145-11350 | BOLT, M6X5 | 1 | | | | | | | |
| 14 | 2 | 24761-060000 | NIPPLE, GREASE MT6X1 | 1 | | | | | | | |
| 15 | 1 | 22217-160000 | WASHER, SPRING 16 | 4 | | | | | | | |
| 16 | 1 | 26116-160652 | BOLT, M16X 65 PLATED | 4 | | | | | | | |
| 17 | 1 | 26716-160002 | NUT, M16 | 4 | | | | | | | |
| 18 | 1 | 194145-11801-X | PIN ASSY, KING | 2 | | | | | | | |
| 19 | 1 | 194145-11820 | COVER, KING PIN | 2 | | | | | | | |
| 20 | 1 | 194145-11860 | SEAL, OIL TC38529 | 2 | | | | | | | |
| 21 | 1 | 194145-11870 | CASTLE NUT | 2 | | | | | | | |
| 22 | 1 | 194145-11910 | ROLLER BEARING | 2 | | | | | | | |
| 22-1 | 1 | 24141-302050 | BEARING, 30205 | 2 | | | | | | | N |
| (A=T# 20774) | | | | | | | | | | | |
| 23 | 1 | 194145-11920 | ROLLER BEARING | 2 | | | | | | | |
| 24 | 1 | 194145-11930 | SHIM | 2 | | | | | | | |
| 25 | 1 | 194145-11970 | WASHER T=3 | 2 | | | | | | | 1 |
| 26 | 1 | 194145-11980 | WASHER T=3 | 2 | | | | | | | 1 |
| 27 | 1 | 194145-11990 | WASHER T=3 | 2 | | | | | | | 1 |
| 28 | 1 | 1A1030-12200 | BALL BEARING | 2 | | | | | | | |
| 29 | 1 | 194990-57740 | O-RING, 30X2.4 | 2 | | | | | | | |
| 30 | 1 | 22417-400450 | PIN, COTTER 4.0X45 | 2 | | | | | | | |
| 31 | 1 | 22512-100340 | KEY, 10X 34 | 2 | | | | | | | |
| 32 | 1 | 194145-12611-X | HUB, FRONT WHEEL | 2 | | | | | | | |
| 33 | 1 | 194145-12630 | GASKET | 2 | | | | | | | |
| 34 | 1 | 194145-12640-X | CAP, FRONT WHEEL HUB | 2 | | | | | | | |
| 35 | 1 | 194130-12720 | SEAL, OIL TC6406219 | 2 | | | | | | | |
| 36 | 1 | 22217-060000 | WASHER, SPRING 6 | 8 | | | | | | | Z |
| (A=T# 20793) | | | | | | | | | | | |
| 37 | 1 | 26013-140252 | BOLT, M14X 25 | 12 | | | | | | | |
| 37-1 | 1 | 194180-12650 | BOLT M14X 25 | 12 | | | | | | | N |
| (A='1982.) | | | | | | | | | | | |
| 37-2 | 1 | 194278-12650 | BOLT, M14X25 | 12 | | | | | | | N |
| (A=T# 20734) | | | | | | | | | | | |
| 38 | 1 | 26116-060122 | BOLT, M6X 12 PLATED | 8 | | | | | | | |
| 38-1 | 1 | 26106-060102 | BOLT, M6X 10 PLATED | 8 | | | | | | | N |
| (A=T# 20793) | | | | | | | | | | | |
| 39 | 1 | 194432-14110-X | ARM (L), KNUCKLE | 1 | | | | | | | |
| 40 | 1 | 194240-14210-X | ARM, KNUCKLE | 1 | | | | | | | |
| 41 | 1 | 22217-120000 | WASHER, SPRING 12 | 2 | | | | | | | |
| 42 | 1 | 26116-120602 | BOLT, M12X 60 PLATED | 2 | | | | | | | |
| 43 | 1 | 194432-12310-X | TIE-ROD | 1 | | | | | | | |
| 44 | 1 | 194130-12321-X | CLAMP | 4 | | | | | | | |
| 45 | 1 | 194130-12330 | BOLT M10X 38 | 4 | | | | | | | |

Fig.32. FRONT AXLE(FOR YM226)

Fig. 32 FRONT AXLE [For Model YM226]



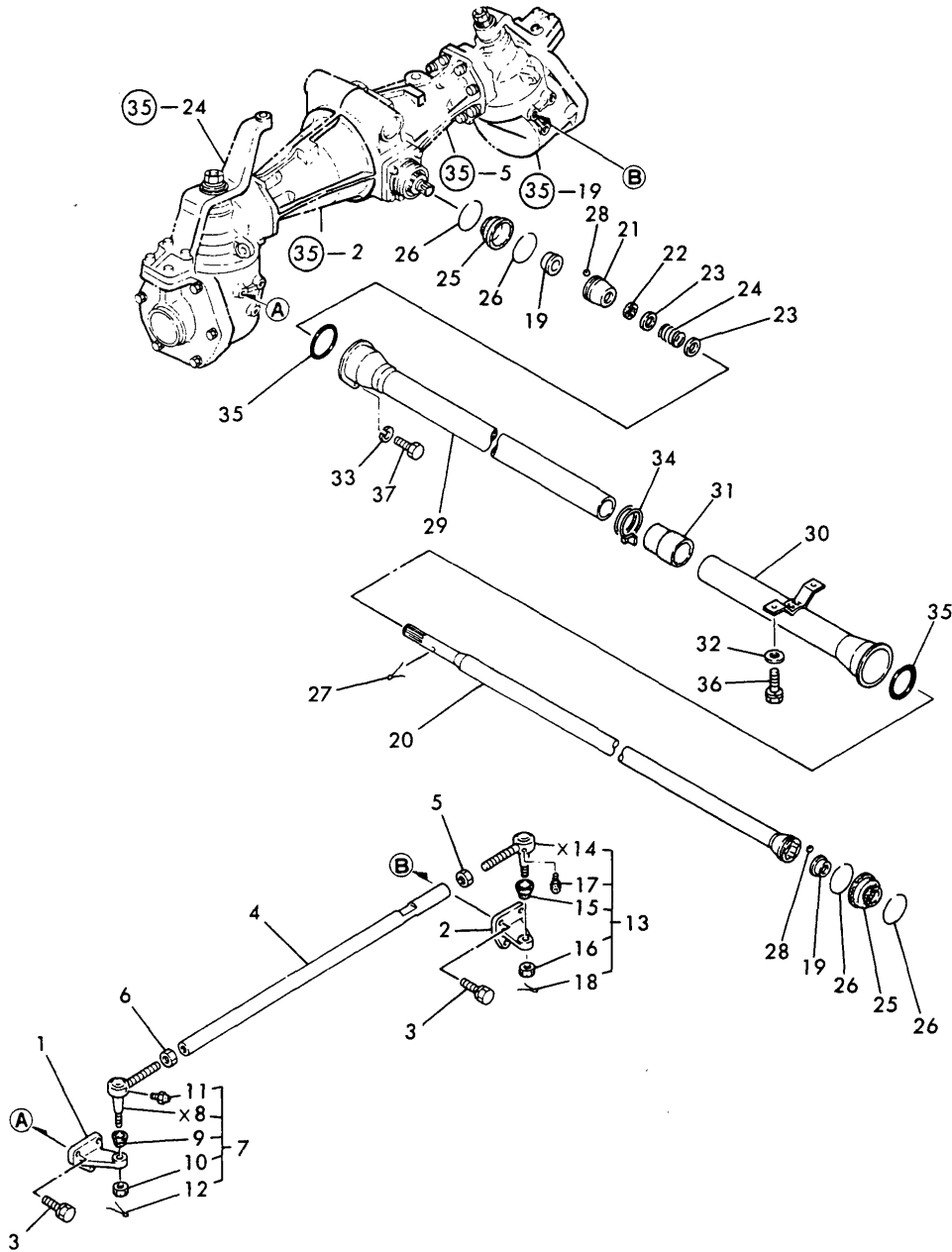
(A)=YM226
(B)=YM226D
(C)=

(D)=
(E)=
(F)=

| No. | Lev. | Parts No. | Description | Qty | | | | | | I | R |
|---------------|------|----------------|----------------------|-----|-----|-----|-----|-----|-----|---|---|
| | | | | (A) | (B) | (C) | (D) | (E) | (F) | | |
| 46 | 1 | 194432-12340-X | EXTENSION, TIE-ROD | 1 | | | | | | | |
| 47 | 1 | 194432-12350-X | EXTENSION, TIE-ROD | 1 | | | | | | | |
| 48 | 1 | 194990-22830 | NUT M17 | 1 | | | | | | | |
| 49 | 1 | 194990-22840 | NUT M17 | 1 | | | | | | | |
| 50 | 1 | 794730-57122 | END ASSY, TIE-ROD | 1 | | | | | | | |
| 50-1 | 1 | 194730-57120 | END(RL) ASSY,TIE-ROD | 1 | | | | | | | N |
| (A=T/# 20695) | | | | | | | | | | | |
| 52 | 2 | 194730-57220 | COVER, DUCT | 1 | | | | | | | |
| 53 | 2 | 194730-57241 | NUT M12 | 1 | | | | | | | |
| 54 | 2 | 24761-060000 | NIPPLE, GREASE MT6X1 | 1 | | | | | | | |
| 55 | 2 | 22417-300250 | PIN, COTTER 3.0X25 | 1 | | | | | | | |
| 56 | 1 | 794730-57132 | END ASSY, TIE-ROD | 1 | | | | | | | |
| 56-1 | 1 | 194730-57130 | END(LR)ASSY, TIE-ROD | 1 | | | | | | | N |
| (A=T/# 20695) | | | | | | | | | | | |
| 58 | 2 | 194730-57220 | COVER, DUCT | 1 | | | | | | | |
| 59 | 2 | 194730-57241 | NUT M12 | 1 | | | | | | | |
| 60 | 2 | 24761-060000 | NIPPLE, GREASE MT6X1 | 1 | | | | | | | |
| 61 | 2 | 22417-300250 | PIN, COTTER 3.0X25 | 1 | | | | | | | |
| 62 | 1 | 22417-250250 | PIN, COTTER 2.5X25 | 4 | | | | | | | |
| 63 | 1 | 26837-100002 | NUT, CASTLE M10 | 4 | | | | | | | |

Fig.33. PROPELLER SHAFT(FOR YM226D)

Fig. 33 PROPELLER SHAFT OF FRONT AXLE [For Model YM226D]



(A)=YM226
(B)=YM226D
(C)=

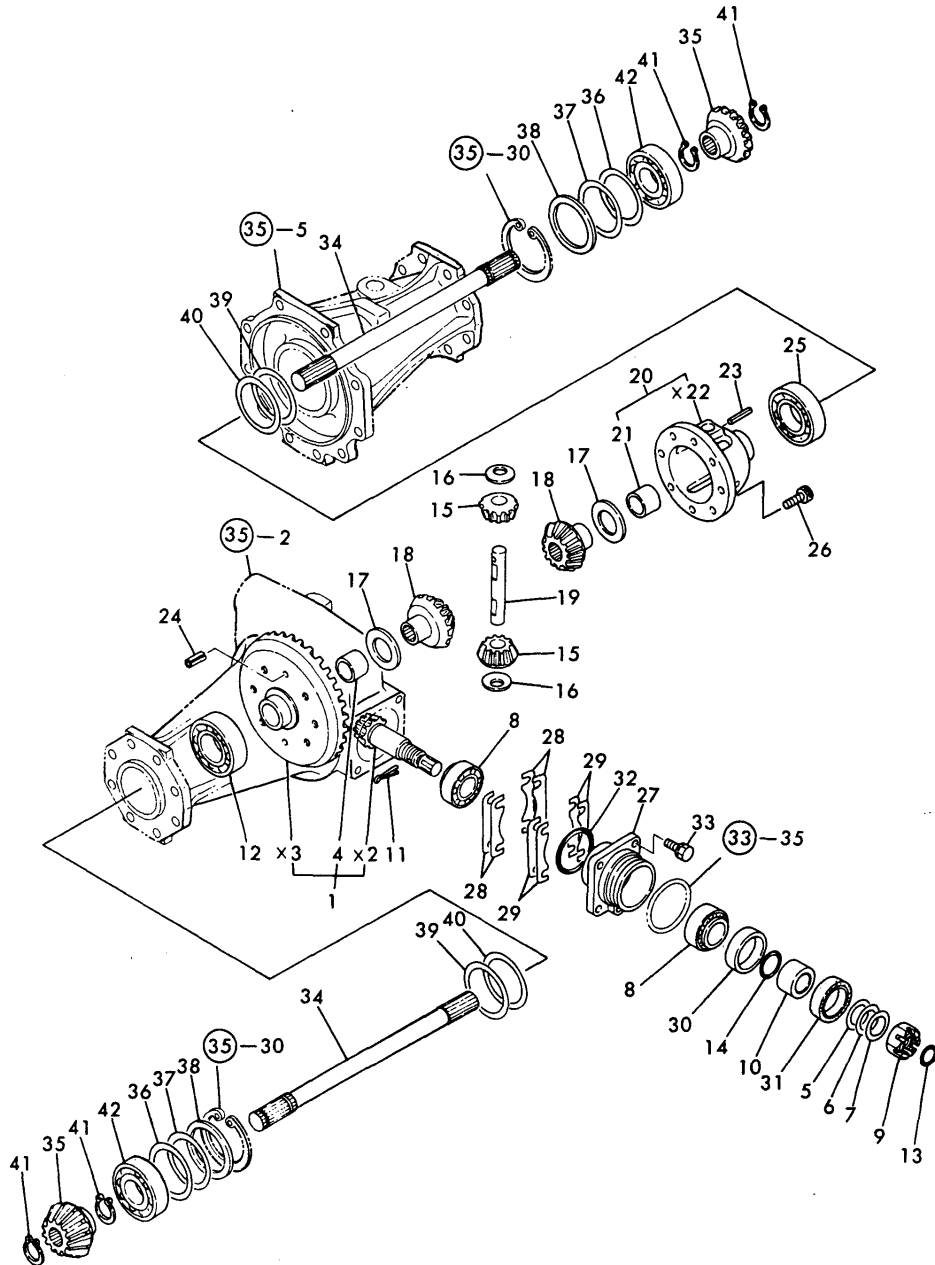
(D)=
(E)=
(F)=

| No. | Lev. | Parts No. | Description | Qty | | | | | | I | R |
|------|------|--|----------------------|-----|-----|-----|-----|-----|-----|---|---|
| | | | | (A) | (B) | (C) | (D) | (E) | (F) | | |
| 1 | 1 | 194311-12110-X | ARM, KNUCKLE L | | 1 | | | | | | |
| 2 | 1 | 194311-12210-X | ARM, KNUCKLE R | | 1 | | | | | | |
| 3 | 1 | 26013-100282 | BOLT, M10X 28 | | 6 | | | | | | |
| 3-1 | 1 | 26013-100302 (B=*1982.12) | BOLT, M10X 30 | | 6 | | | | | | N |
| 4 | 1 | 194311-12310-X | TIE-ROD | | 1 | | | | | | |
| 5 | 1 | 194990-22830 | NUT M17 | | 1 | | | | | | |
| 6 | 1 | 194990-22840 | NUT M17 | | 1 | | | | | | |
| 7 | 1 | 794730-57122-X | END(RL) ASSY,TIE-ROD | | 1 | | | | | | |
| 7-1 | 1 | 194730-57120-X (B=T/# 41682) | END(RL)ASSY, TIE-ROD | | 1 | | | | | | N |
| 9 | 2 | 194730-57220 | COVER, DUCT | | 1 | | | | | | |
| 10 | 2 | 194730-57241 | NUT M12 | | 1 | | | | | | |
| 11 | 2 | 24761-060000 | NIPPLE, GREASE MT6X1 | | 1 | | | | | | |
| 12 | 2 | 22417-300250 | PIN, COTTER 3.0X25 | | 1 | | | | | | |
| 13 | 1 | 794730-57132-X | END(LR) ASSY,TIE-ROD | | 1 | | | | | | |
| 13-1 | 1 | 194730-57130-X (B=T/# 41682) | END(LR)ASSY, TIE-ROD | | 1 | | | | | | N |
| 15 | 2 | 194730-57220 | COVER, DUCT | | 1 | | | | | | |
| 16 | 2 | 194730-57241 | NUT M12 | | 1 | | | | | | |
| 17 | 2 | 24761-060000 | NIPPLE, GREASE MT6X1 | | 1 | | | | | | |
| 18 | 2 | 22417-300250 | PIN, COTTER 3.0X25 | | 1 | | | | | | |
| 19 | 1 | 194191-13270 | SLEEVE | | 2 | | | | | | |
| 20 | 1 | 194362-13300-X | SHAFT ASSY,PROPELLER | | 1 | | | | | | |
| 21 | 1 | 194191-13331-X | COUPLING, B | | 1 | | | | | | |
| 22 | 1 | 194191-13340 | SEAL, SPLINE SHAFT | | 1 | | | | | | |
| 23 | 1 | 194191-13350 | SPACER, 20X30X1.6 | | 2 | | | | | | |
| 24 | 1 | 194311-13360 | SPRING, TENSION | | 1 | | | | | | |
| 25 | 1 | 194191-13370 | BOOT, RUBBER | | 2 | | | | | | |
| 25-1 | 1 | 194640-13340 | BOOT, RUBBER | | 2 | | | | | | N |
| 26 | 1 | 194150-51620 (B=T/# 41674) (B=*) | CLAMP, HARNESS | | 4 | | | | | | Z |
| 27 | 1 | 22417-400400 | PIN, COTTER 4.0X40 | | 1 | | | | | | |
| 28 | 1 | 24190-100001 | BALL, STEEL 5/16 | | 12 | | | | | | |
| 29 | 1 | 194362-14610-X | COVER, FRONT SHAFT | | 1 | | | | | | |
| 30 | 1 | 194362-14640-X | COVER, REAR SHAFT | | 1 | | | | | | |
| 31 | 1 | 194362-14650 | BOOT, SHAFT COVER | | 1 | | | | | | |
| 32 | 1 | 22137-080000 | WASHER, 8 | | 2 | | | | | | |
| 33 | 1 | 22217-100000 | WASHER, SPRING 10 | | 1 | | | | | | |
| 34 | 1 | 23010-060000 | CLAMP, 60 | | 1 | | | | | | |
| 35 | 1 | 24321-000600 | O-RING, 1AG60.0 | | 2 | | | | | | |
| 36 | 1 | 26013-080162 | BOLT, M8X 16 | | 2 | | | | | | |
| 37 | 1 | 26126-100162 | BOLT M10X 16 PLATED | | 1 | | | | | | |
| 37-1 | 1 | 26116-100162 | BOLT, M10X 16 PLATED | | 1 | | | | | | N |

(B=T/# 41024)

Fig.34. 1ST SHAFT & RING GEAR(YM226D)

Fig. 34 1st SHAFT & RING GEAR OF FRONT AXLE [For Model YM226D]



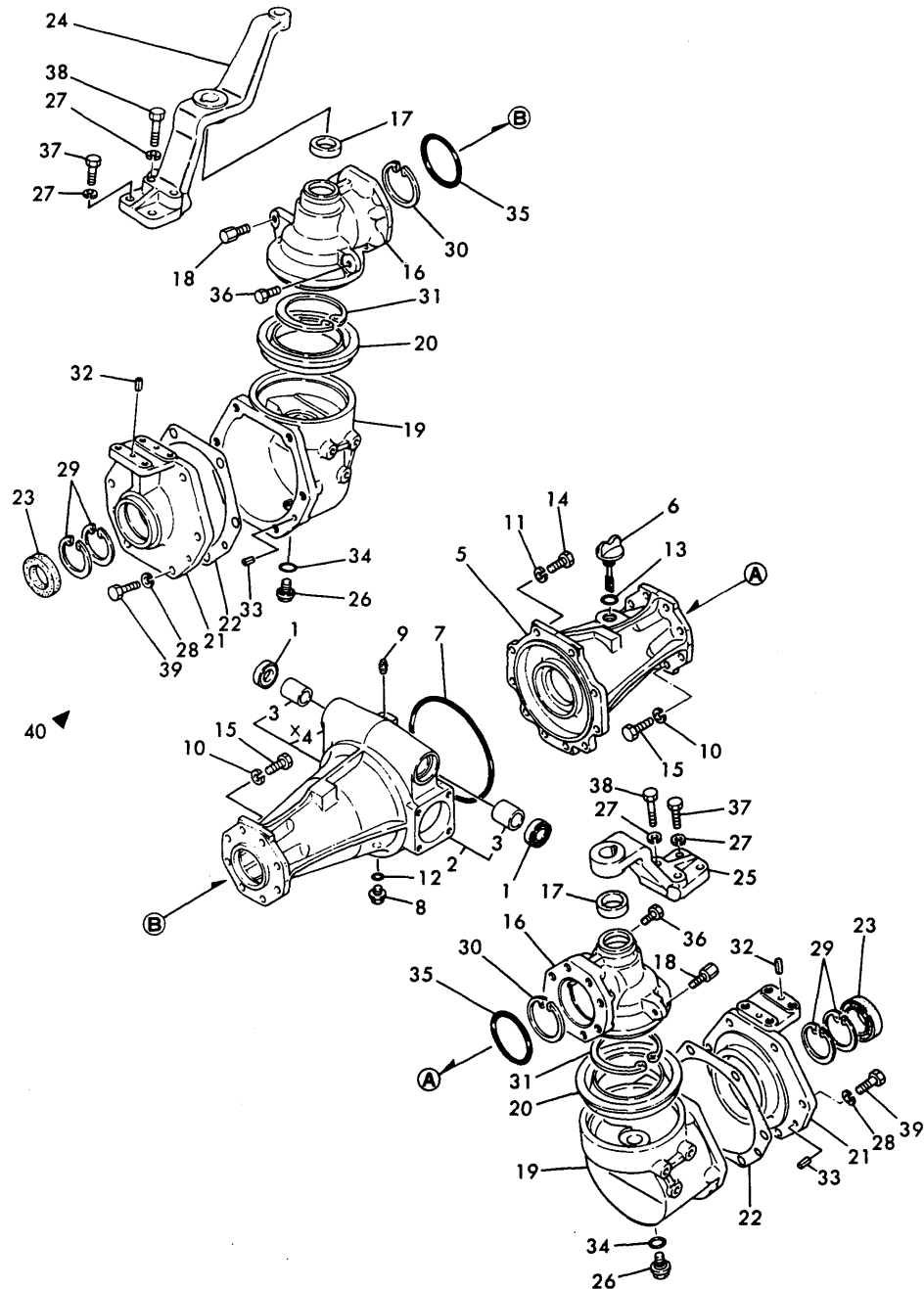
(A)=YM226
(B)=YM226D
(C)=

(D)=
(E)=
(F)=

| No. | Lev. | Parts No. | Description | Q'ty | | | | | | I | R |
|---------------|------|----------------|----------------------|------|-----|-----|-----|-----|-----|---|---|
| | | | | (A) | (B) | (C) | (D) | (E) | (F) | | |
| 1 | 1 | 194311-13101 | GEAR ASSY, RING | | 1 | | | | | | |
| 4 | 2 | 194190-31490 | BUSH, 32X36X20 | | 1 | | | | | | |
| 5 | 1 | 194311-13130 | SHIM, A | | 1 | | | | | | 1 |
| 6 | 1 | 194311-13140 | SHIM, B | | 1 | | | | | | 1 |
| 7 | 1 | 194311-13150 | SHIM (C) | | 1 | | | | | | 1 |
| 8 | 1 | 194191-13530 | BEARING, HR32006XJ | | 2 | | | | | | |
| 9 | 1 | 194191-13540 | NUT, CASTLE M28X1.5 | | 1 | | | | | | |
| 10 | 1 | 194191-13671 | COLLAR 28X40X12 | | 1 | | | | | | |
| 11 | 1 | 22417-250400 | PIN, COTTER 2.5X40 | | 1 | | | | | | |
| 12 | 1 | 24101-060094 | BEARING, BALL 6009 | | 1 | | | | | | |
| 13 | 1 | 24311-000210 | O-RING, 1AP21.0 | | 1 | | | | | | |
| 14 | 1 | 24341-000250 | O-RING, 1AS25.0 | | 1 | | | | | | |
| 15 | 1 | 194740-10850 | PINION, DIFFERENTIAL | | 2 | | | | | | |
| 16 | 1 | 194740-10870 | LINER, PINION | | 2 | | | | | | |
| 17 | 1 | 194740-10880 | WASHER, DIFFERENTIAL | | 2 | | | | | | |
| 18 | 1 | 194190-31510 | GEAR, DIFFERENTIAL | | 2 | | | | | | |
| 19 | 1 | 194420-31820 | SHAFT, DIFFERENTIAL | | 1 | | | | | | |
| 20 | 1 | 194190-32100 | HOUSING ASSY | | 1 | | | | | | |
| 21 | 2 | 194190-31490 | BUSH, 32X36X20 | | 1 | | | | | | |
| 22 | 1 | 22351-040025 | PIN, SPRING 4.0X25 | | 1 | | | | | | |
| 23 | 1 | 22351-080018 | PIN, SPRING 8.0X18 | | 2 | | | | | | |
| 24 | 1 | 24101-060094 | BEARING, BALL 6009 | | 1 | | | | | | |
| 25 | 1 | 26450-080182 | BOLT, M8X 18 | | 6 | | | | | | |
| 26 | 1 | 194311-13450-X | CAP | | 1 | | | | | | |
| 27 | 1 | 194311-13460 | SHIM(A) T=0.3 | | 4 | | | | | | 1 |
| 28 | 1 | 194311-13470 | SHIM, T=0.2 | | 4 | | | | | | 1 |
| 29 | 1 | 194191-13662 | COLLAR 52.4X55X6 | | 1 | | | | | | |
| 30 | 1 | 194191-13681 | SEAL TC40 55 8, OIL | | 1 | | | | | | |
| 31-1 | 1 | 24421-405508 | SEAL, OIL TC405508 | | 1 | | | | | | R |
| (B=T/# 41542) | | | | | | | | | | | |
| 32 | 1 | 24341-000630 | O-RING, 1AS63.0 | | 1 | | | | | | |
| 33 | 1 | 26013-080222 | BOLT, M8X 22 | | 4 | | | | | | |
| 33-1 | 1 | 26013-080252 | BOLT, M8X 25 | | 4 | | | | | | N |
| (B=*1982.12) | | | | | | | | | | | |
| 34 | 1 | 194311-13510 | SHAFT, FRONT DRIVE | | 2 | | | | | | |
| 34-1 | 1 | 194311-13511 | SHAFT, FRONT 1ST | | 2 | | | | | | N |
| (B=T/# 41377) | | | | | | | | | | | |
| 35 | 1 | 194311-13520 | PINION, SHAFT | | 2 | | | | | | |
| 36 | 1 | 194311-13530 | SHIM, L=0.3 A | | 4 | | | | | | 1 |
| 37 | 1 | 194311-13540 | SHIM, L=0.3 B | | 4 | | | | | | 1 |
| 38 | 1 | 194311-13550 | SPACER, GEAR CASE | | 2 | | | | | | |
| 39 | 1 | 194190-31120 | SHIM, L=0.3 A | | 2 | | | | | | 1 |
| 40 | 1 | 194190-31130 | SHIM, L=0.2 B | | 2 | | | | | | 1 |
| 41 | 1 | 22242-000240 | RING, 24 | | 4 | | | | | | |
| 42 | 1 | 24101-062074 | BEARING, BALL 6207 | | 2 | | | | | | |

Fig.35. CASING OF FRONT AXLE(YM226D)

Fig. 35 CASING OF FRONT AXLE [For Model YM226D]



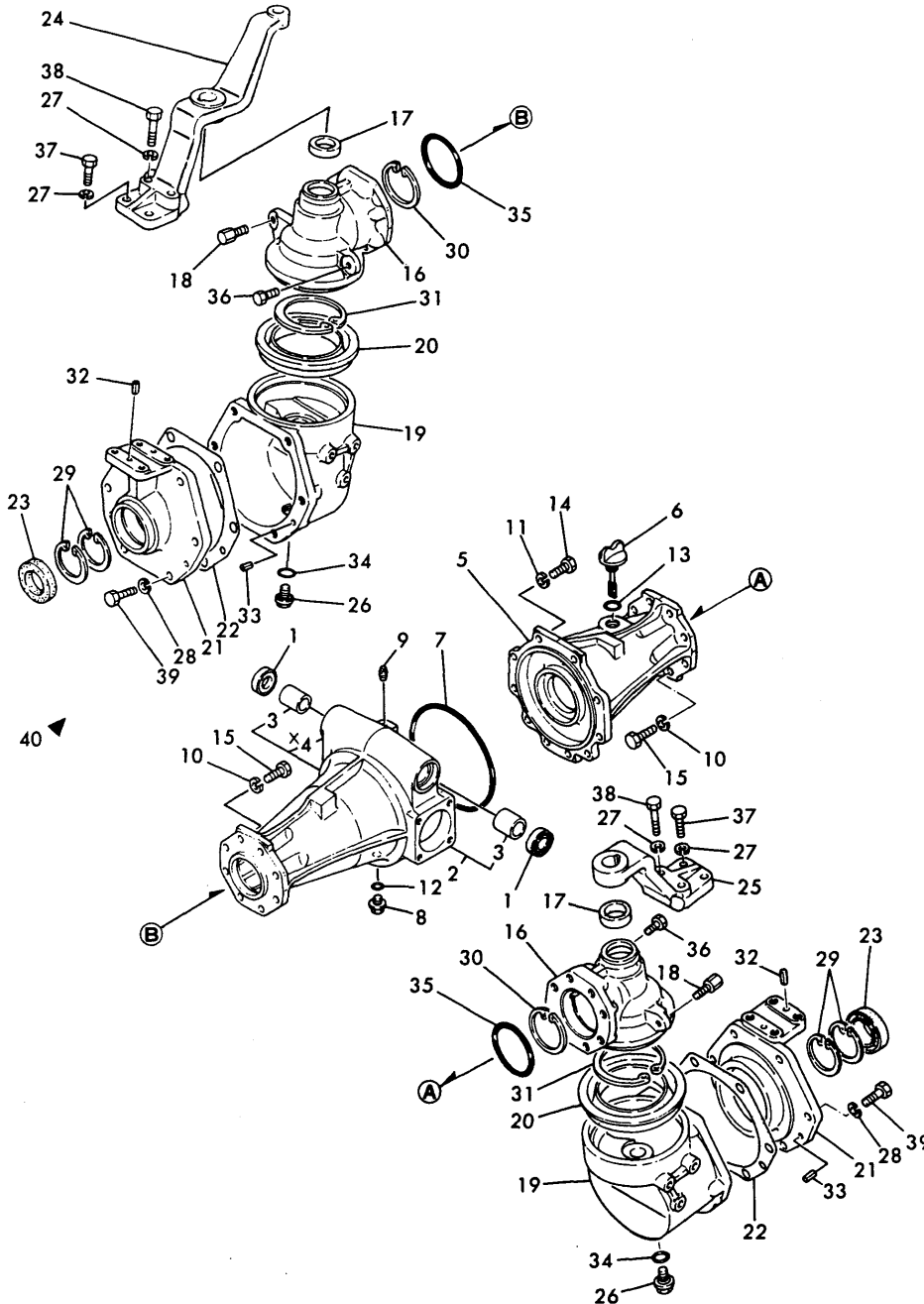
| No. | Lev. | Parts No. | Description | Q'ty | | | | | | I | R |
|------|------|---------------------------------|----------------------|------|-----|-----|-----|-----|-----|---|-----|
| | | | | (A) | (B) | (C) | (D) | (E) | (F) | | |
| 1 | 1 | 194311-13430 | SEAL, OIL KC30427 | | 2 | | | | | | |
| 2 | 1 | 194431-13600-X | HOUSING ASSY, AXLE | | 1 | | | | | | |
| 3 | 2 | 194312-11520 | BUSH, 30X34X25 | | 2 | | | | | | |
| 5 | 1 | 194431-13620-X | HOUSING, FRONT AXLE | | 1 | | | | | | |
| 6 | 1 | 194313-13630 | PLUG, 20 | | 1 | | | | | | |
| 7 | 1 | 194313-13640 | O-RING, S159.3 | | 1 | | | | | | |
| 8 | 1 | 194151-24770 | PLUG 14, OIL | | 1 | | | | | | |
| 8-1 | 1 | 23491-140002 (B=T/# 41961) | PLUG, 14 | | 1 | | | | | | N |
| 9 | 1 | 194151-36670 (B=T/# 40601) | PLUG, PF02 | | 1 | | | | | | Z |
| 10 | 1 | 22217-100000 | WASHER, SPRING 10 | | 16 | | | | | | |
| 11 | 1 | 22217-100000 | WASHER, SPRING 10 | | 10 | | | | | | |
| 12 | 1 | 24311-000160 | O-RING, 1AP16.0 | | 1 | | | | | | |
| 13 | 1 | 24311-000220 | O-RING, 1AP22.0 | | 1 | | | | | | |
| 14 | 1 | 26116-100252 | BOLT, M10X 25 PLATED | | 10 | | | | | | |
| 15 | 1 | 26116-100302 | BOLT, M10X 30 PLATED | | 16 | | | | | | |
| 16 | 1 | 194313-13710-X | CASE, SIDE GEAR | | 2 | | | | | | |
| 17 | 1 | 194311-13720 | SEAL, OIL TC6254007 | | 2 | | | | | | |
| 18 | 1 | 194311-13730 | BOLT | | 2 | | | | | | |
| 19 | 1 | 194311-13751-X | BOX, FRONT GEAR | | 2 | | | | | | |
| 20 | 1 | 194311-13760 | SEAL, TCS11514513.5 | | 2 | | | | | | |
| 21 | 1 | 194311-13771-X | CASE, FRONT BEARING | | 2 | | | | | | N |
| 21-1 | 1 | 194311-13772-X (B=T/# 41387) | CASE, FRONT BEARING | | 2 | | | | | | N |
| 21-2 | 1 | 194171-13770-X (B=T/# 42272) | CASE, FRONT BEARING | | 2 | | | | | | S 1 |
| 22 | 1 | 194362-13780 | GASKET | | 2 | | | | | | |
| 23 | 1 | 194313-13790 | SEAL, TC6Y506812.5 | | 1 | | | | | | |
| 23-1 | 1 | 194171-13870 (B=T/# 42272) | SEAL, OIL TC6Y689013 | | 2 | | | | | | S 1 |
| 24 | 1 | 194362-13810-X | SUPPORT, KING PIN | | 1 | | | | | | |
| 24-1 | 1 | 194362-13811-X (B=*1982.) | SUPPORT, KING PIN | | 1 | | | | | | N |
| 24-2 | 1 | 194362-13812-X (B=T/# 41567) | SUPPORT, KING PIN | | 1 | | | | | | N |
| 25 | 1 | 194362-13820-X | SUPPORT, KING PIN | | 1 | | | | | | |
| 26 | 1 | 194151-24770 | PLUG 14, OIL | | 2 | | | | | | |
| 26-1 | 1 | 23491-140002 (B=T/# 41961) | PLUG, 14 | | 2 | | | | | | N |
| 27 | 1 | 22217-100000 | WASHER, SPRING 10 | | 8 | | | | | | |
| 28 | 1 | 22217-120000 | WASHER, SPRING 12 | | 12 | | | | | | |
| 29 | 1 | 22252-000680 | RING, 68 | | 4 | | | | | | |
| 29-1 | 1 | 22252-000900 (B=T/# 42272) | RING, 90 | | 4 | | | | | | S 1 |
| 30 | 1 | 22252-000720 | RING, 72 | | 2 | | | | | | |
| 31 | 1 | 22252-001000 | RING, 100 | | 2 | | | | | | |
| 32 | 1 | 22352-080020 | SPRING PIN 8X20 | | 4 | | | | | | |
| 32-1 | 1 | 22351-080020 (B=*) | PIN, SPRING 8.0X20 | | 4 | | | | | | N |
| 33 | 1 | 22351-080020 | PIN, SPRING 8.0X20 | | 4 | | | | | | |

Fig.35. CASING OF FRONT AXLE(YM226D)

(A)=YM226
(B)=YM226D
(C)=

(D)=
(E)=
(F)=

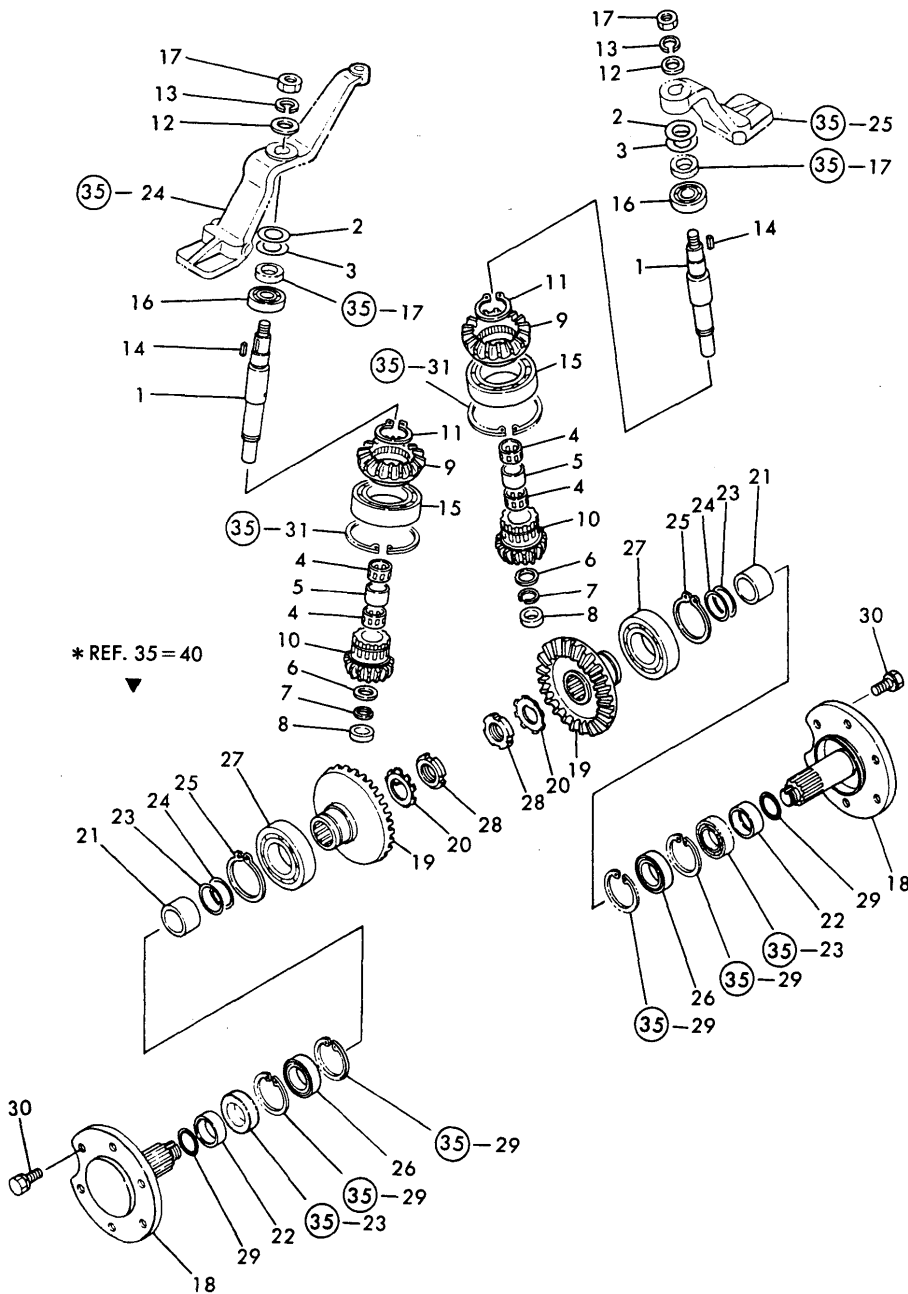
Fig. 35 CASING OF FRONT AXLE [For Model YM226D]



| No. | Lev. | Parts No. | Description | Qty | | | | | | I | R |
|---------------|------|---------------|----------------------|-----|-----|-----|-----|-----|-----|---|---|
| | | | | (A) | (B) | (C) | (D) | (E) | (F) | | |
| 34 | 1 | 24311-000160 | O-RING, 1AP16.0 | | 2 | | | | | | |
| 35 | 1 | 24321-000700 | O-RING, 1AG70.0 | | 2 | | | | | | |
| 36 | 1 | 26116-100162 | BOLT, M10X 16 PLATED | | 2 | | | | | | |
| 37 | 1 | 26116-100302 | BOLT, M10X 30 PLATED | | 4 | | | | | | |
| 38 | 1 | 26116-100452 | BOLT, M10X 45 PLATED | | 4 | | | | | | |
| 39 | 1 | 26116-120352 | BOLT, M12X 35 PLATED | | 12 | | | | | | |
| 40 | 1 | 794171-14100 | SPINDLE KIT, FRONT | | 1 | | | | | W | 1 |
| (B=T/# 42272) | | | | | | | | | | | |
| 41 | 2 | *REF.36=30- 1 | BOLT M14X 25 | | 6 | | | | | | |
| 42 | 2 | *REF.35=28 | SPRING WASHER 12 | | 6 | | | | | | |
| 43 | 2 | *REF.35=39 | BOLT M12X35 | | 6 | | | | | | |
| 44 | 2 | *REF.35=21- 2 | CASE, FRONT BEARING | | 1 | | | | | | |
| 45 | 2 | *REF.35=22 | GASKET | | 1 | | | | | | |
| 46 | 2 | *REF.35=23- 1 | SEAL TC6Y689013 | | 1 | | | | | | |
| 47 | 2 | *REF.36=18- 1 | SPINDLE, FRONT | | 1 | | | | | | |
| 48 | 2 | *REF.36=19- 1 | GEAR, FRONT FINAL | | 1 | | | | | | |
| 49 | 2 | *REF.36=21- 1 | COLLAR 60.5X26.5 | | 1 | | | | | | |
| 50 | 2 | *REF.36=22- 1 | COLLAR 50X68X17.5 | | 1 | | | | | | |
| 51 | 2 | *REF.36=23- 1 | SHIM (A), FRONT | | 2 | | | | | | |
| 52 | 2 | *REF.36=24- 1 | SHIM (B), FRONT FINA | | 2 | | | | | | |
| 53 | 2 | *REF.36=28- 1 | NUT M30 SET | | 1 | | | | | | |
| 54 | 2 | *REF.35=27 | SPRING WASHER 10 | | 4 | | | | | | |
| 55 | 2 | *REF.36=25 | CIRCLIP 55 | | 1 | | | | | | |
| 56 | 2 | *REF.36=29- 1 | CIRCLIP 90 | | 2 | | | | | | |
| 57 | 2 | *REF.35=32- 1 | SPRING PIN 8X20 | | 4 | | | | | | |
| 58 | 2 | *REF.36=26- 1 | BALL BEARING | | 1 | | | | | | |
| 59 | 2 | *REF.36=27 | BALL BEARING | | 1 | | | | | | |
| 60 | 2 | *REF.36=29- 1 | O-RING 1A G-50.0 | | 1 | | | | | | |
| 61 | 2 | *REF.35=37 | BOLT M10X 30 PLATED | | 2 | | | | | | |
| 62 | 2 | *REF.35=38 | BOLT M10X 45 PLATED | | 2 | | | | | | |

Fig.36. 2ND SHAFT & SPINDLE(YM226D)

Fig. 36 2nd SHAFT & SPINDLE OF FRONT AXLE [For Model YM226D]



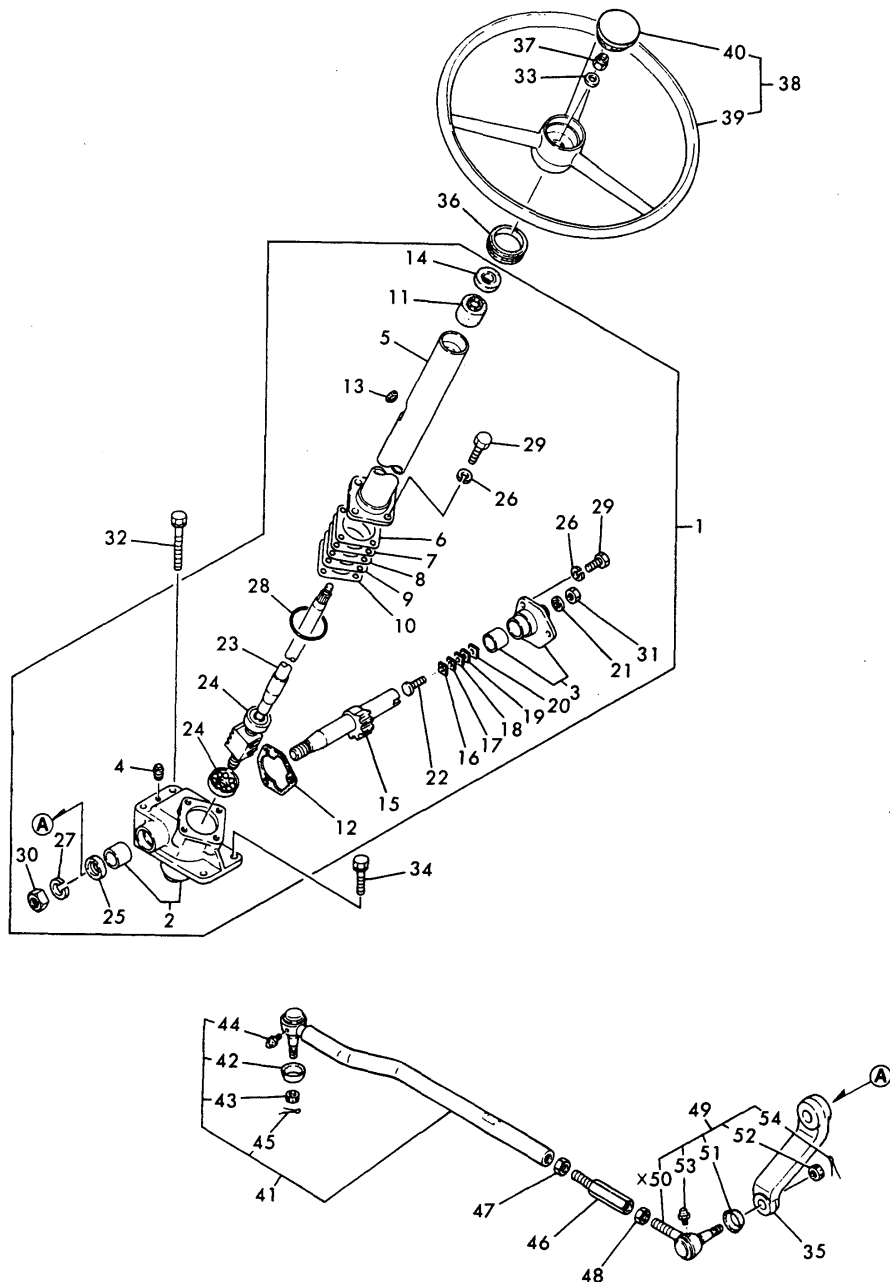
(A)=YM226
(B)=YM226D
(C)=

(D)=
(E)=
(F)=

| No. | Lev. | Parts No. | Description | Q'ty | | | | | | I | R |
|------|------|----------------|----------------------|------|-----|-----|-----|-----|-----|---|-----|
| | | | | (A) | (B) | (C) | (D) | (E) | (F) | | |
| 1 | 1 | 194311-13850 | SHAFT, FRONT 2ND | 2 | | | | | | | |
| 2 | 1 | 194311-13860 | SHIM, T=1.0 A | 2 | | | | | | | 1 |
| 3 | 1 | 194311-13870 | SHIM, T=1.2 B | 2 | | | | | | | 1 |
| 4 | 1 | 194311-13880 | BEARING, 283518 | 4 | | | | | | | |
| 5 | 1 | 194311-13890 | COLLAR, 28X33.5X22.5 | 2 | | | | | | | |
| 6 | 1 | 194311-13910 | WASHER, 28X33.5X2 | 2 | | | | | | | |
| 7 | 1 | 194311-13920 | CIRCLIP, NEEDLE WR28 | 2 | | | | | | | |
| 8 | 1 | 194311-13930 | SPACER, 25X35X5 | 2 | | | | | | | |
| 9 | 1 | 194311-13940 | GEAR, FRONT SHAFT | 2 | | | | | | | |
| 10 | 1 | 194311-13950 | PINION, FRONT FINAL | 2 | | | | | | | |
| 11 | 1 | 194311-13960 | CIRCLIP, 50-S | 2 | | | | | | | |
| 12 | 1 | 22137-160000 | WASHER, 16 | 2 | | | | | | | |
| 13 | 1 | 22217-160000 | WASHER, SPRING 16 | 2 | | | | | | | |
| 14 | 1 | 22512-070220 | KEY, 7X 22 | 2 | | | | | | | |
| 15 | 1 | 24101-060134 | BEARING, BALL 6013 | 2 | | | | | | | |
| 16 | 1 | 24101-062054 | BEARING, BALL 6205 | 2 | | | | | | | |
| 17 | 1 | 26716-160002 | NUT, M16 | 2 | | | | | | | |
| 18 | 1 | 194241-14101-X | SPINDLE ASSY, FRONT | 2 | | | | | | | |
| 18-1 | 1 | 194171-14110-X | SPINDLE, FRONT | 2 | | | | | | | S 3 |
| | | (B=T/# 42272) | | | | | | | | | |
| 19 | 1 | 194311-14121 | GEAR, FRONT FINAL | 2 | | | | | | | |
| 19-1 | 1 | 194311-14122 | GEAR, FRONT SHAFT | 2 | | | | | | | N |
| | | (B=T/# 42272) | | | | | | | | | |
| 20 | 1 | 194311-14130 | WASHER, 35 | 2 | | | | | | | Z |
| | | (B=T/# 42272) | | | | | | | | | |
| 21 | 1 | 194311-14161 | COLLAR, 48.6X41.6 | 2 | | | | | | | |
| 21-1 | 1 | 194171-14160 | COLLAR, 60.5X26.5 | 2 | | | | | | | S 3 |
| | | (B=T/# 42272) | | | | | | | | | |
| 22 | 1 | 194311-14172 | COLLAR, 40X50X20 | 2 | | | | | | | |
| 22-1 | 1 | 194171-14170 | COLLAR, 50X68X17.5 | 2 | | | | | | | S 3 |
| | | (B=T/# 42272) | | | | | | | | | |
| 23 | 1 | 194311-14180 | SHIM, L=0.2 A | 2 | | | | | | | 2 |
| 23-1 | 1 | 194171-14180 | SHIM (A), FRONT | 4 | | | | | | | S 3 |
| | | (B=T/# 42272) | | | | | | | | | |
| 24 | 1 | 194311-14190 | SHIM(B) L=0.3 | 2 | | | | | | | 2 |
| 24-1 | 1 | 194171-14190 | SHIM (B), FRONT FINA | 4 | | | | | | | S 3 |
| | | (B=T/# 42272) | | | | | | | | | |
| 25 | 1 | 22242-000550 | RING, 55 | 2 | | | | | | | |
| 26 | 1 | 24101-060084 | BEARING, BALL 6008 | 2 | | | | | | | |
| 26-1 | 1 | 24101-062104 | BEARING, BALL 6210 | 2 | | | | | | | S 3 |
| | | (B=T/# 42272) | | | | | | | | | |
| 27 | 1 | 24101-062114 | BEARING, BALL 6211 | 2 | | | | | | | |
| 28 | 1 | 24211-035002 | NUT, BEARING 35 | 2 | | | | | | | |
| 28-1 | 1 | 194491-14190 | NUT, M30 | 2 | | | | | | | S 3 |
| | | (B=T/# 42272) | | | | | | | | | |
| 29 | 1 | 24321-000400 | O-RING, 1AG40.0 | 2 | | | | | | | |
| 29-1 | 1 | 24321-000500 | O-RING, 1AG50.0 | 2 | | | | | | | S 3 |
| | | (B=T/# 42272) | | | | | | | | | |
| 30 | 1 | 26013-140252 | BOLT, M14X 25 | 12 | | | | | | | |
| 30-1 | 1 | 194278-12650 | BOLT, M14X25 | 12 | | | | | | | N |
| | | (B=T/# 41961) | | | | | | | | | |

Fig.37. STEERING(FOR YM226)

Fig. 37 STEERING [For Model YM226]



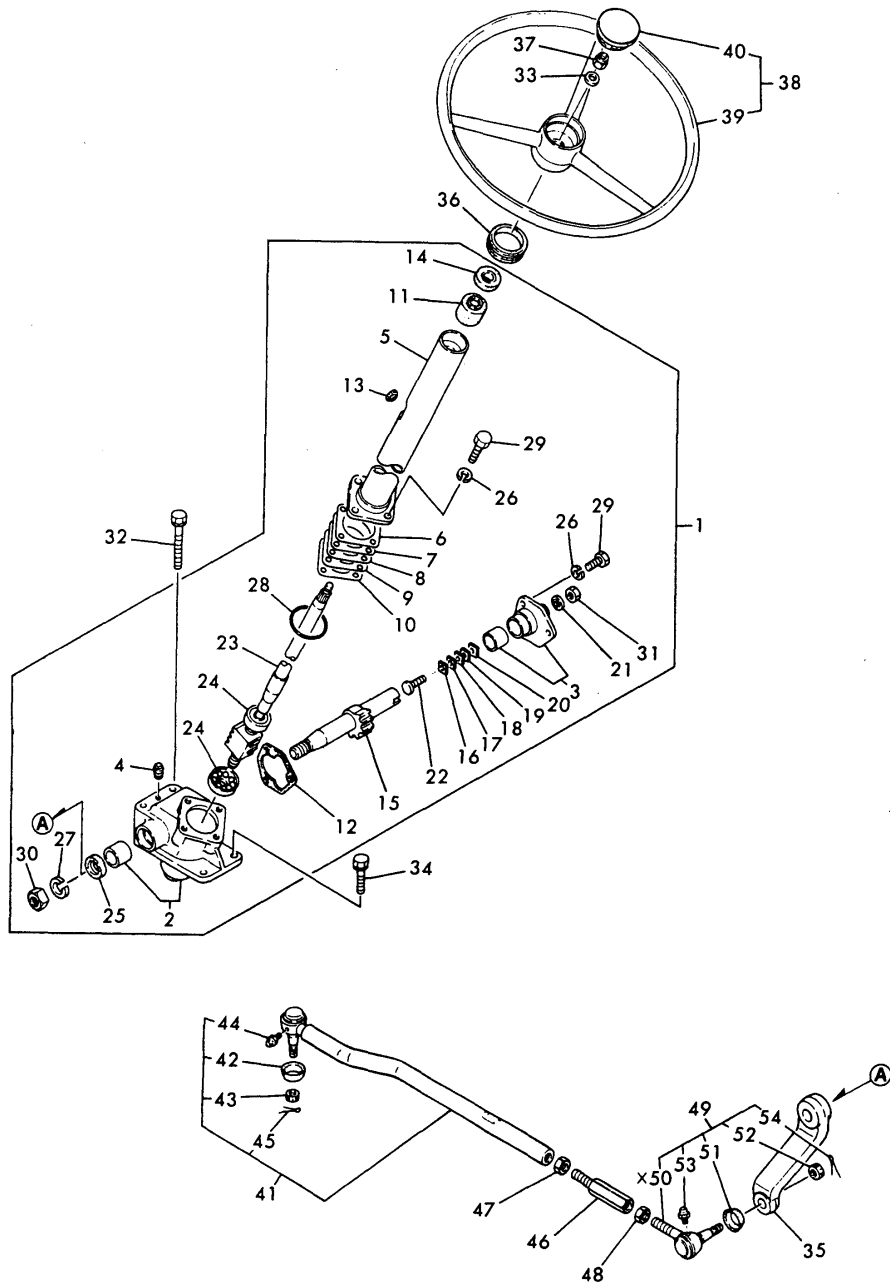
(A)=YM226
(B)=YM226D
(C)=

(D)=
(E)=
(F)=

| No. | Lev. | Parts No. | Description | Q'ty | | | | | | I | R |
|------|------|---------------------------------|----------------------|------|-----|-----|-----|-----|-----|---|---|
| | | | | (A) | (B) | (C) | (D) | (E) | (F) | | |
| 1 | 1 | 194241-15100-X | GEAR ASSY, STEERING | 1 | | | | | | | |
| 2 | 2 | 194241-15110-X | BOX, GEAR | 1 | | | | | | | |
| 3 | 2 | 194310-15150-X | COVER W/BUSH, SIDE | 1 | | | | | | | |
| 3-1 | 2 | 194197-15150-X (A=T/# 20774) | COVER | 1 | | | | | | | N |
| 4 | 2 | 194310-15170 | PLUG | 1 | | | | | | | |
| 5 | 2 | 194241-15200-X | COLUMN, STEERING | 1 | | | | | | | |
| 6 | 2 | 194750-15250 | SHIM, T=0.5 | 1 | | | | | | | 1 |
| 7 | 2 | 194750-15260 | SHIM, T=0.7 | 1 | | | | | | | 1 |
| 8 | 2 | 194750-15270 | SHIM, T=0.08 | 1 | | | | | | | 1 |
| 9 | 2 | 194750-15280 | SHIM, T=0.1 | 1 | | | | | | | 1 |
| 10 | 2 | 194750-15290 | SHIM, T=0.2 | 1 | | | | | | | 1 |
| 11 | 2 | 194241-15310 | BUSH, COLUMN | 1 | | | | | | | |
| 12 | 2 | 194241-15320 | GASKET, SIDE COVER | 1 | | | | | | | |
| 12-1 | 2 | 194310-15320 | GASKET, SIDE COVER | 1 | | | | | | | N |
| 13 | 2 | 194440-15340 | PLUG, BREATHER | 1 | | | | | | | |
| 13-1 | 2 | 194440-15341 | PLUG, BREATHER | 1 | | | | | | | S |
| 14 | 2 | 194241-15350 | SEAL, OIL TC1939.510 | 1 | | | | | | | |
| 15 | 2 | 194310-15411 | SHAFT, SECTOR | 1 | | | | | | | |
| 16 | 2 | 194080-15420 | SHIM, T=1.525 A | 1 | | | | | | | 2 |
| 17 | 2 | 194080-15430 | SHIM, T=1.555 B | 1 | | | | | | | 2 |
| 18 | 2 | 194080-15440 | SHIM, T=1.585 C | 1 | | | | | | | 2 |
| 19 | 2 | 194080-15450 | SHIM, T=1.615 D | 1 | | | | | | | 2 |
| 20 | 2 | 194080-15460 | SHIM, T=1.645 E | 1 | | | | | | | 2 |
| 21 | 2 | 194464-15450 | WASHER, SEAL 10 | 1 | | | | | | | |
| 22 | 2 | 194130-15470 | SCREW, ADJUSTING | 1 | | | | | | | |
| 23 | 2 | 194241-15500 | NUT ASSY, BALL | 1 | | | | | | | |
| 24 | 2 | 194750-15520 | BEARING, VBT17Z-2A | 2 | | | | | | | |
| 25 | 2 | 194740-55620 | SEAL, OIL TC263807 | 1 | | | | | | | |
| 26 | 2 | 22217-080000 | WASHER, SPRING 8 | 7 | | | | | | | |
| 27 | 2 | 22217-200000 | WASHER, SPRING 20 | 1 | | | | | | | |
| 28 | 2 | 24321-000500 | O-RING, 1AG50.0 | 1 | | | | | | | Z |
| 29 | 2 | 26116-080222 | BOLT, M8X 22 PLATED | 7 | | | | | | | |
| 29-1 | 2 | 26116-080202 | BOLT, M8X 20 PLATED | 7 | | | | | | | N |
| 30 | 2 | 26736-200002 | NUT, M20 | 1 | | | | | | | |
| 30-1 | 2 | 26776-200002 | NUT, LOCK M20 | 1 | | | | | | | N |
| 31 | 2 | 26776-100002 | NUT, LOCK M10 | 1 | | | | | | | |
| 32 | 1 | 194310-15181 | BOLT M10X 80 | 2 | | | | | | | |
| 33 | 1 | 194080-15550 | WASHER, 12 | 1 | | | | | | | |
| 34 | 1 | 194190-15560 | BOLT | 2 | | | | | | | |
| 34-1 | 1 | 26013-100302 | BOLT, M10X 30 | 2 | | | | | | | N |
| 34-2 | 1 | 26106-100302 | BOLT, M10X 30 PLATED | 2 | | | | | | | N |
| 35 | 1 | 194197-15610-X | ARM, PITMAN | 1 | | | | | | | |
| 36 | 1 | 194145-15651 | GROMMET, 42 | 1 | | | | | | | |

Fig.37. STEERING(FOR YM226)

Fig. 37 STEERING [For Model YM226]



(A)=YM226
(B)=YM226D
(C)=

(D)=
(E)=
(F)=

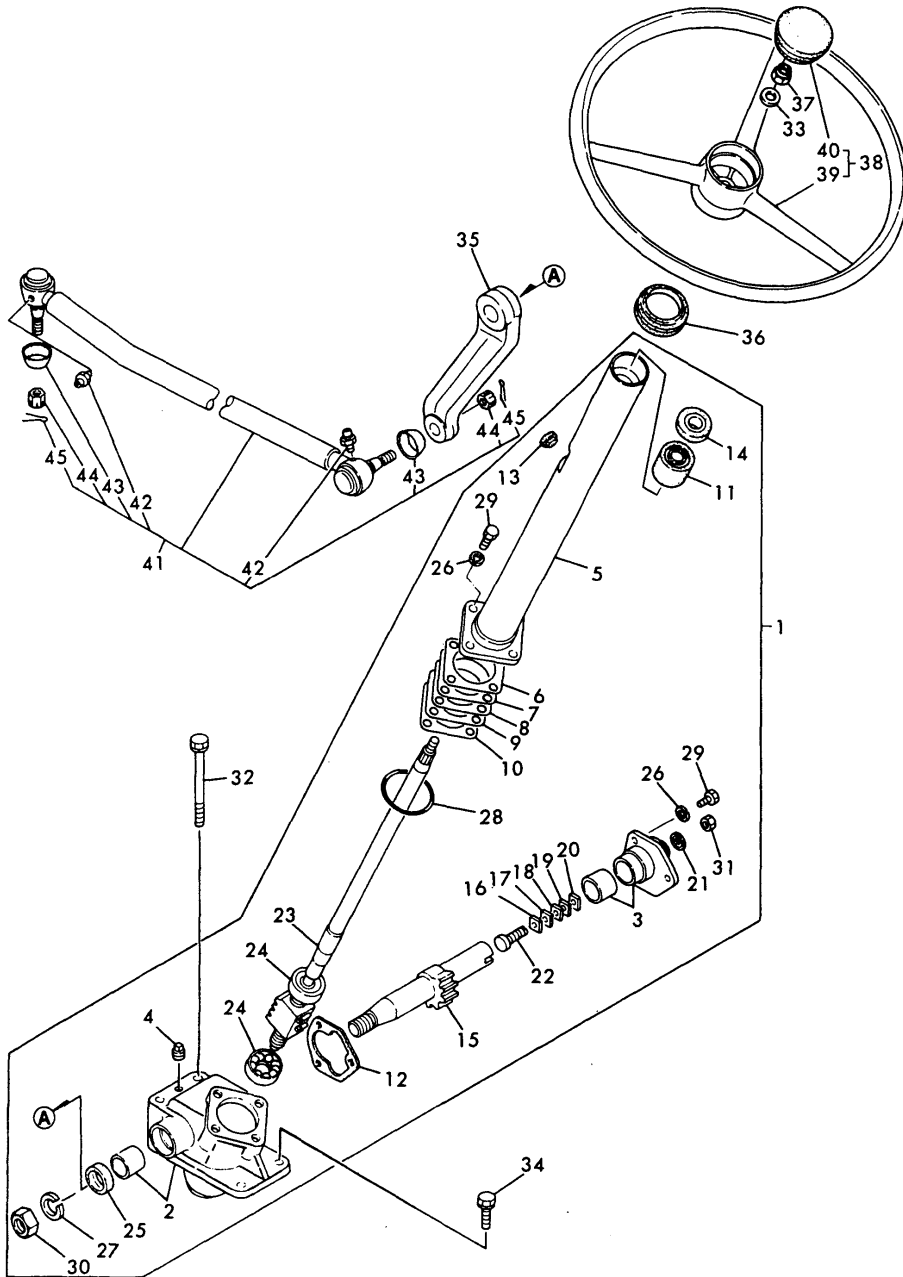
| No. | Lev. | Parts No. | Description | Q'ty | | | | | | I | R |
|---------------|------|----------------|----------------------|------|-----|-----|-----|-----|-----|---|---|
| | | | | (A) | (B) | (C) | (D) | (E) | (F) | | |
| 37 | 1 | 26356-120002 | NUT, M12 | 1 | | | | | | | |
| 38 | 1 | 194420-15700 | WHEEL ASSY, STEERING | 1 | | | | | | | |
| 39 | 2 | 194420-15710 | WHEEL, STEERING | 1 | | | | | | | |
| 40 | 2 | 194440-15870 | CAP, WHEEL | 1 | | | | | | | |
| 41 | 1 | 194432-16100-X | ROD ASSY, DRAG | 1 | | | | | | | |
| 42 | 2 | 194730-57220 | COVER, DUCT | 1 | | | | | | | |
| 43 | 2 | 194730-57241 | NUT M12 | 1 | | | | | | | |
| 44 | 2 | 24761-060000 | NIPPLE, GREASE MT6X1 | 1 | | | | | | | |
| 45 | 2 | 22417-300250 | PIN, COTTER 3.0X25 | 1 | | | | | | | |
| 46 | 1 | 194464-16130-U | TURNBUCKLE | 1 | | | | | | | |
| 47 | 1 | 194990-22830 | NUT M17 | 1 | | | | | | | |
| 48 | 1 | 194990-22840 | NUT M17 | 1 | | | | | | | |
| 49 | 1 | 794730-57122-X | END(RL) ASSY,TIE-ROD | 1 | | | | | | | |
| 49-1 | 1 | 194730-57120-X | END ASSY, TIE-ROD | 1 | | | | | | | N |
| (A=T/# 20695) | | | | | | | | | | | |
| 51 | 2 | 194730-57220 | COVER, DUCT | 1 | | | | | | | |
| 52 | 2 | 194730-57241 | NUT M12 | 1 | | | | | | | |
| 53 | 2 | 24761-060000 | NIPPLE, GREASE MT6X1 | 1 | | | | | | | |
| 54 | 2 | 22417-300250 | PIN, COTTER 3.0X25 | 1 | | | | | | | |

Fig.38. STEERING(FOR YM226D)

(A)=YM226
(B)=YM226D
(C)=

(D)=
(E)=
(F)=

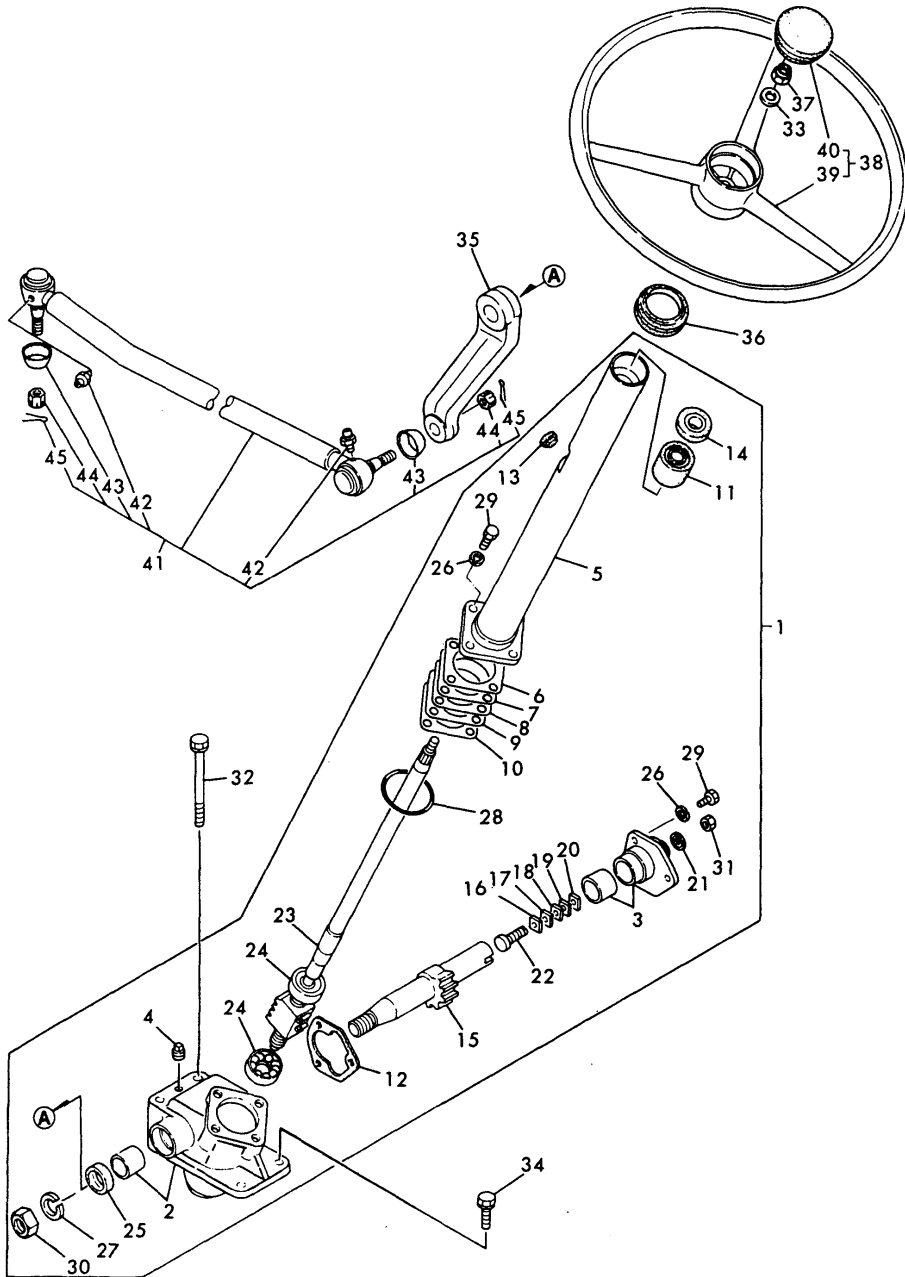
Fig. 38 STEERING [For Model YM226D]



| No. | Lev. | Parts No. | Description | Q'ty | | | | | | I | R |
|------|------|---------------------------------|----------------------|------|-----|-----|-----|-----|-----|---|---|
| | | | | (A) | (B) | (C) | (D) | (E) | (F) | | |
| 1 | 1 | 194241-15100-X | GEAR ASSY, STEERING | 1 | | | | | | | |
| 2 | 2 | 194241-15110-X | BOX, GEAR | 1 | | | | | | | |
| 3 | 2 | 194310-15150-X | COVER W/BUSH, SIDE | 1 | | | | | | | |
| 3-1 | 2 | 194197-15150-X (B=T/# 42104) | COVER | 1 | | | | | | | N |
| 4 | 2 | 194310-15170 | PLUG | 1 | | | | | | | |
| 5 | 2 | 194241-15200-X | COLUMN, STEERING | 1 | | | | | | | |
| 6 | 2 | 194750-15250 | SHIM, T=0.5 | 1 | | | | | | | 1 |
| 7 | 2 | 194750-15260 | SHIM, T=0.7 | 1 | | | | | | | 1 |
| 8 | 2 | 194750-15270 | SHIM, T=0.08 | 1 | | | | | | | 1 |
| 9 | 2 | 194750-15280 | SHIM, T=0.1 | 1 | | | | | | | 1 |
| 10 | 2 | 194750-15290 | SHIM, T=0.2 | 1 | | | | | | | 1 |
| 11 | 2 | 194241-15310 | BUSH, COLUMN | 1 | | | | | | | |
| 12 | 2 | 194241-15320 | GASKET, SIDE COVER | 1 | | | | | | | |
| 12-1 | 2 | 194310-15320 | GASKET, SIDE COVER | 1 | | | | | | | N |
| | | (B=*) | | | | | | | | | |
| 13 | 2 | 194440-15340 | PLUG, BREATHER | 1 | | | | | | | |
| 13-1 | 2 | 194440-15341 | PLUG, BREATHER | 1 | | | | | | | S |
| | | (B=T/# 42029) | | | | | | | | | |
| 14 | 2 | 194241-15350 | SEAL, OIL TC1939.510 | 1 | | | | | | | |
| 15 | 2 | 194310-15411 | SHAFT, SECTOR | 1 | | | | | | | |
| 16 | 2 | 194080-15420 | SHIM, T=1.525 A | 1 | | | | | | | 2 |
| 17 | 2 | 194080-15430 | SHIM, T=1.555 B | 1 | | | | | | | 2 |
| 18 | 2 | 194080-15440 | SHIM, T=1.585 C | 1 | | | | | | | 2 |
| 19 | 2 | 194080-15450 | SHIM, T=1.615 D | 1 | | | | | | | 2 |
| 20 | 2 | 194080-15460 | SHIM, T=1.645 E | 1 | | | | | | | 2 |
| 21 | 2 | 194464-15450 | WASHER, SEAL 10 | 1 | | | | | | | |
| 22 | 2 | 194130-15470 | SCREW, ADJUSTING | 1 | | | | | | | |
| 23 | 2 | 194241-15500 | NUT ASSY, BALL | 1 | | | | | | | |
| 24 | 2 | 194750-15520 | BEARING, VBT17Z-2A | 2 | | | | | | | |
| 25 | 2 | 194740-55620 | SEAL, OIL TC263807 | 1 | | | | | | | |
| 26 | 2 | 22217-080000 | WASHER, SPRING 8 | 7 | | | | | | | |
| 27 | 2 | 22217-200000 | WASHER, SPRING 20 | 1 | | | | | | | |
| 28 | 2 | 24321-000500 | O-RING, 1AG50.0 | 1 | | | | | | | Z |
| | | (B=T/# 42029) | | | | | | | | | |
| 29 | 2 | 26116-080222 | BOLT, M8X 22 PLATED | 7 | | | | | | | |
| 29-1 | 2 | 26116-080202 | BOLT, M8X 20 PLATED | 7 | | | | | | | N |
| | | (B=*1982.12) | | | | | | | | | |
| 30 | 2 | 26736-200002 | NUT, M20 | 1 | | | | | | | |
| 30-1 | 2 | 26776-200002 | NUT, LOCK M20 | 1 | | | | | | | N |
| | | (B=T/# 41804) | | | | | | | | | |
| 31 | 2 | 26776-100002 | NUT, LOCK M10 | 1 | | | | | | | |
| 32 | 1 | 194310-15181 | BOLT M10X 80 | 2 | | | | | | | |
| 33 | 1 | 194080-15550 | WASHER, 12 | 1 | | | | | | | |
| 34 | 1 | 194190-15560 | BOLT | 2 | | | | | | | |
| 34-1 | 1 | 26013-100302 | BOLT, M10X 30 | 2 | | | | | | | N |
| | | (B=*1982.11) | | | | | | | | | |
| 34-2 | 1 | 26106-100302 | BOLT, M10X 30 PLATED | 2 | | | | | | | N |
| | | (B=T/# 42307) | | | | | | | | | |
| 35 | 1 | 194197-15610-X | ARM, PITMAN | 1 | | | | | | | |
| 36 | 1 | 194145-15651 | GROMMET, 42 | 1 | | | | | | | |

Fig.38. STEERING(FOR YM226D)

Fig. 38 STEERING [For Model YM226D]



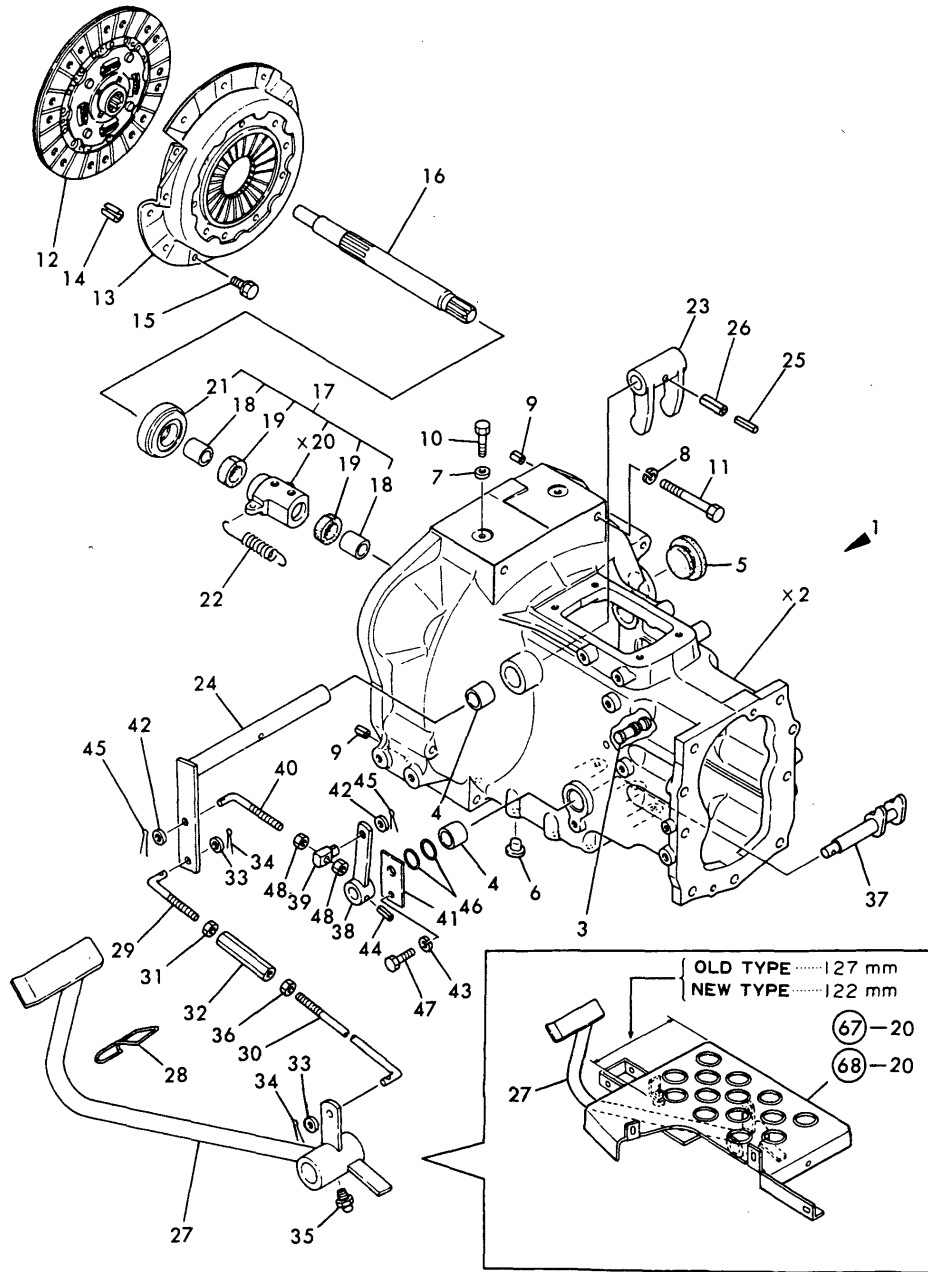
(A)=YM226
(B)=YM226D
(C)=

(D)=
(E)=
(F)=

| No. | Lev. | Parts No. | Description | Q'ty | | | | | | I | R |
|---------------|------|----------------|----------------------|------|-----|-----|-----|-----|-----|---|---|
| | | | | (A) | (B) | (C) | (D) | (E) | (F) | | |
| 37 | 1 | 26356-120002 | NUT, M12 | | 1 | | | | | | |
| 38 | 1 | 194420-15700 | WHEEL ASSY, STEERING | | 1 | | | | | | |
| 39 | 2 | 194420-15710 | WHEEL, STEERING | | 1 | | | | | | |
| 40 | 2 | 194440-15870 | CAP, WHEEL | | 1 | | | | | | |
| 41 | 1 | 194361-16100-X | ROD ASSY, DRAG | | 1 | | | | | | |
| 41-1 | 1 | 194361-16101-X | ROD ASSY, DRAG | | 1 | | | | | | N |
| (B=T/# 41742) | | | | | | | | | | | |
| 42 | 2 | 24761-060000 | NIPPLE, GREASE MT6X1 | | 2 | | | | | | |
| 43 | 2 | 194730-57220 | COVER, DUCT | | 2 | | | | | | |
| 44 | 2 | 194730-57241 | NUT M12 | | 2 | | | | | | |
| 45 | 2 | 22417-300250 | PIN, COTTER 3.0X25 | | 2 | | | | | | |

Fig.39. CLUTCH HOUSING

Fig. 39 CLUTCH HOUSING



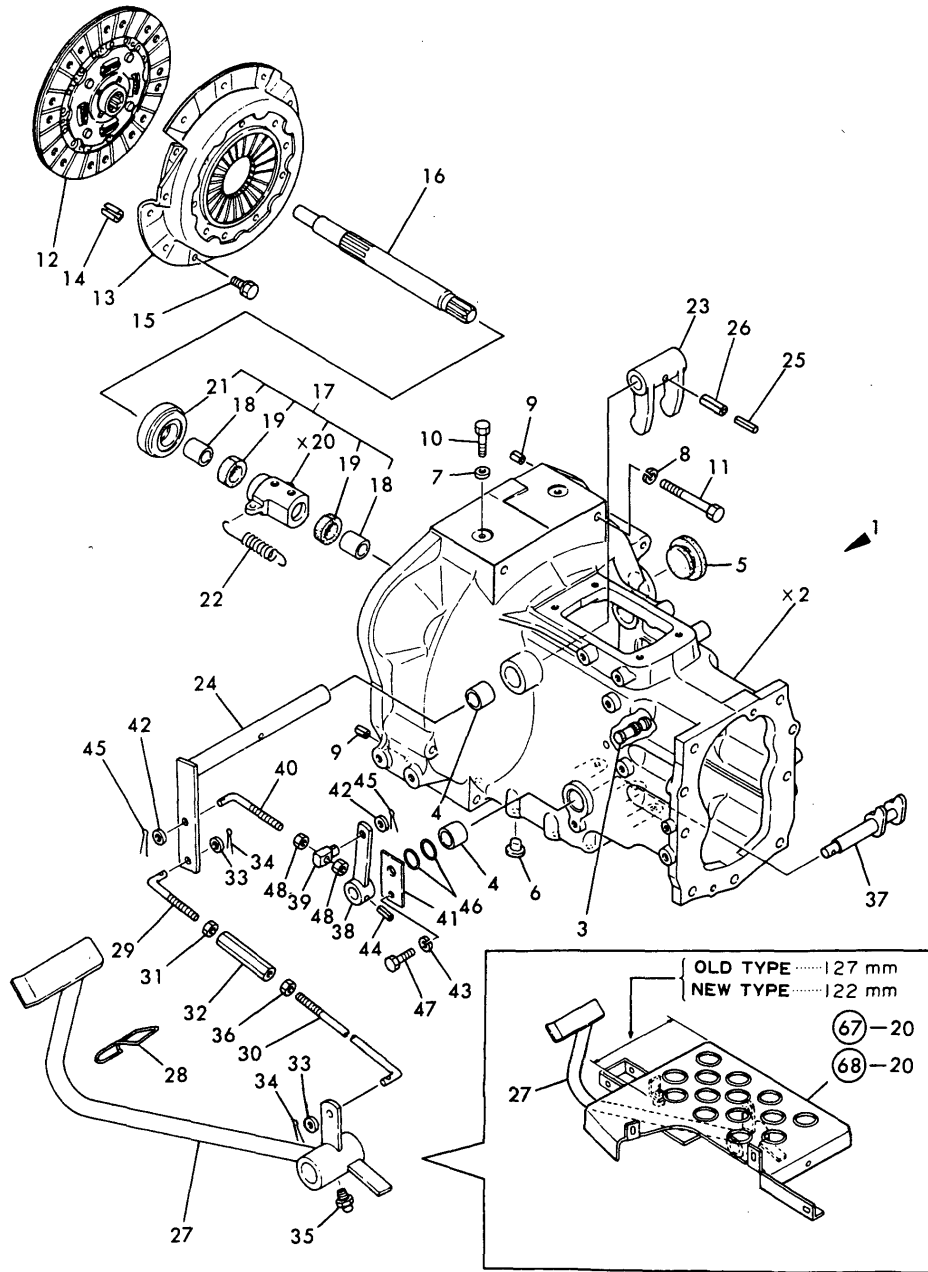
(A)=YM226
(B)=YM226D
(C)=

(D)=
(E)=
(F)=

| No. | Lev. | Parts No. | Description | Q'ty | | | | | | I | R |
|------|------|-----------------------------|----------------------|------|-----|-----|-----|-----|-----|---|-----|
| | | | | (A) | (B) | (C) | (D) | (E) | (F) | | |
| 1 | 1 | 194430-21101-X | HOUSING ASSY, CLUTCH | 1 | 1 | | | | | | |
| 1-1 | 1 | 194430-21102-X | HOUSING ASSY, CLUTCH | 1 | 1 | | | | | | N |
| | | (A=*1982.12) (B=*1982.12) | | | | | | | | | |
| 3 | 2 | 194190-22250 | PIN, HOOK | 2 | 2 | | | | | | |
| 4 | 2 | 194130-22280 | BUSH, 20X25X25 | 3 | 3 | | | | | | |
| 5 | 1 | 194450-21150 | CAP, HOUSING | 1 | 1 | | | | | | |
| 5-1 | 1 | 194450-21151 | CAP, HOUSING | 1 | 1 | | | | | | N |
| | | (A=T/# 20670) (B=T/# 41377) | | | | | | | | | |
| 6 | 1 | 194150-21910 | PLUG, 11.2 | 8 | 8 | | | | | | |
| 7 | 1 | 22137-080000 | WASHER, 8 | 2 | 2 | | | | | | |
| 8 | 1 | 22217-100000 | WASHER, SPRING 10 | 7 | 7 | | | | | | |
| 9 | 1 | 22351-080018 | PIN, SPRING 8.0X18 | 2 | 2 | | | | | | |
| 10 | 1 | 26116-080122 | BOLT, M8X 12 PLATED | 2 | 2 | | | | | | |
| 11 | 1 | 194197-21160 | BOLT M10X115 | 7 | 7 | | | | | | |
| 12 | 1 | 194361-21400 | DISC, CLUTCH | 1 | 1 | | | | | | |
| 12-1 | 1 | 194115-21400 | DISC, CLUTCH | 1 | 1 | | | | | | N |
| | | (A=T/# 20793) (B=T/# 42286) | | | | | | | | | |
| 13 | 1 | 794150-21700 | PLATE, PRESSURE | 1 | 1 | | | | | | |
| 14 | 1 | 22351-080018 | PIN, SPRING 8.0X18 | 3 | 3 | | | | | | |
| 15 | 1 | 26013-080162 | BOLT, M8X 16 | 6 | 6 | | | | | | |
| 15-1 | 1 | 26106-080162 | BOLT, M8X 16 PLATED | 6 | 6 | | | | | | N |
| | | (A=T/# 20793) (B=T/# 42307) | | | | | | | | | |
| 16 | 1 | 194430-22110 | SHAFT, MAIN DRIVE | 1 | 1 | | | | | | |
| 17 | 1 | 794150-22150 | SLEEVE ASSY, BEARING | 1 | 1 | | | | | | |
| 18 | 2 | 194150-22160 | BUSH, 22428224 | 2 | 2 | | | | | | |
| 19 | 2 | 194130-22170 | FELT | 2 | 2 | | | | | | |
| 21 | 2 | 194990-42710 | BEARING, TK40-14 | 1 | 1 | | | | | | |
| 22 | 1 | 194420-22240 | SPRING, RETURN | 2 | 2 | | | | | | |
| 23 | 1 | 194150-22310 | YOKE, CLUTCH SHIFT | 1 | 1 | | | | | | |
| 24 | 1 | 194420-22330-X | SHAFT,CLUTCH RELEASE | 1 | 1 | | | | | | |
| 25 | 1 | 22351-035032 | PIN, SPRING 3.5X32 | 1 | 1 | | | | | | |
| 26 | 1 | 22351-060032 | PIN, SPRING 6.0X32 | 1 | 1 | | | | | | |
| 27 | 1 | 194432-22410-X | PEDAL, CLUTCH | 1 | 1 | | | | | | |
| 27-1 | 1 | 194432-22411-X | PEDAL, CLUTCH | 1 | 1 | | | | | | S 1 |
| | | (A=T/# 20410) (B=T/# 40760) | | | | | | | | | |
| 28 | 1 | 194440-22441 | LEVER, CLUTCH LOCK | 1 | 1 | | | | | | |
| 29 | 1 | 194150-22460 | ROD, CLUTCH | 1 | 1 | | | | | | |
| 30 | 1 | 194420-22470 | ROD, CLUTCH | 1 | 1 | | | | | | |
| 31 | 1 | 194150-22480 | NUT, M10 L | 1 | 1 | | | | | | |
| 32 | 1 | 194130-37730 | TURNBUCKLE M10X70 | 1 | 1 | | | | | | |
| 33 | 1 | 22137-100000 | WASHER, 10 | 2 | 2 | | | | | | |
| 34 | 1 | 22417-200300 | PIN, COTTER 2.0X30 | 2 | 2 | | | | | | |
| 35 | 1 | 24761-010000 | NIPPLE, GREASE M6F | 1 | 1 | | | | | | |
| 36 | 1 | 26716-100002 | NUT, M10 | 1 | 1 | | | | | | |
| 37 | 1 | 194430-22510 | FORK, RELEASE | 1 | 1 | | | | | | |
| 38 | 1 | 194312-22520-X | ARM, RELEASE | 1 | 1 | | | | | | |
| 39 | 1 | 194320-22530 | ADJUSTER | 1 | 1 | | | | | | |
| 40 | 1 | 194312-22540 | ROD, RELEASE | 1 | 1 | | | | | | |
| 41 | 1 | 194430-22550-X | PLATE, KEEP | 1 | 1 | | | | | | |
| 42 | 1 | 22137-080000 | WASHER, 8 | 2 | 2 | | | | | | |
| 43 | 1 | 22217-080000 | WASHER, SPRING 8 | 1 | 1 | | | | | | |

Fig.39. CLUTCH HOUSING

Fig. 39 CLUTCH HOUSING



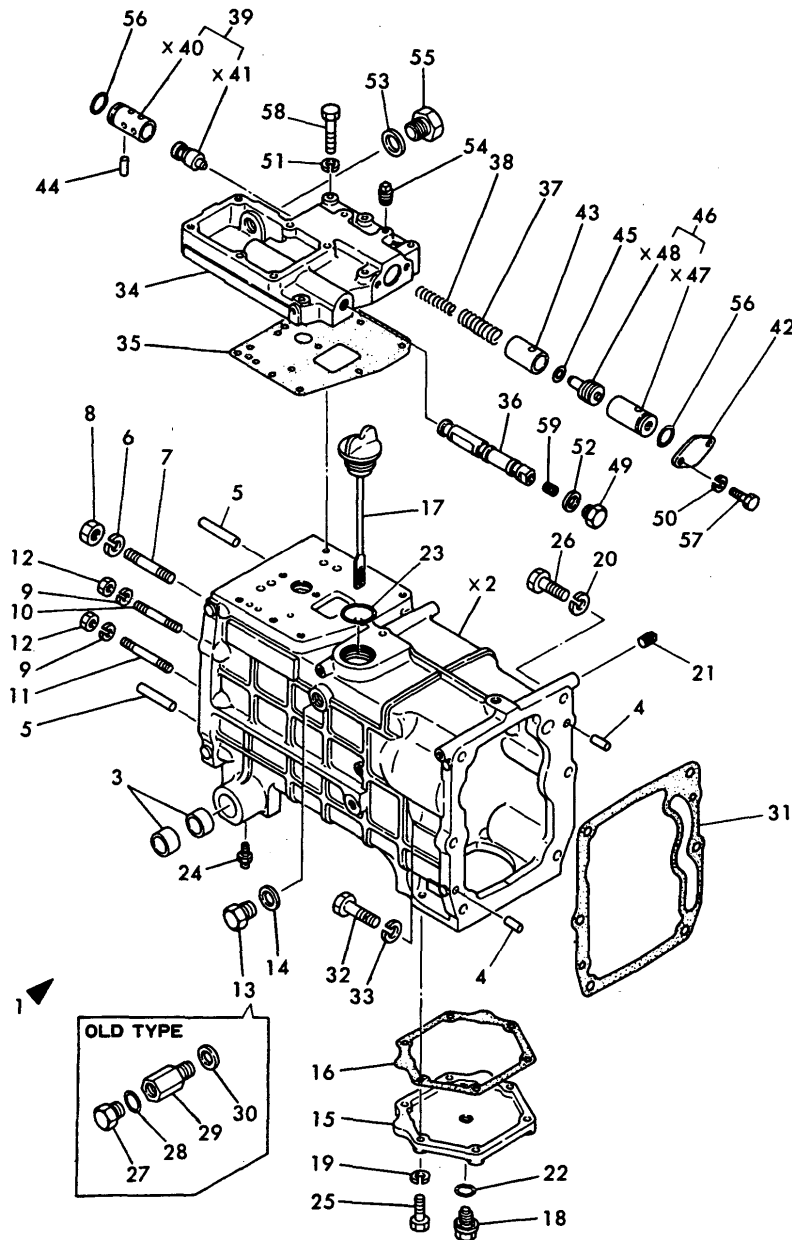
(A)=YM226
(B)=YM226D
(C)=

(D)=
(E)=
(F)=

| No. | Lev. | Parts No. | Description | Qty | | | | | | I | R |
|-----|------|--------------|---------------------|-----|-----|-----|-----|-----|-----|---|---|
| | | | | (A) | (B) | (C) | (D) | (E) | (F) | | |
| 44 | 1 | 22351-060025 | PIN, SPRING 6.0X25 | 1 | 1 | | | | | | |
| 45 | 1 | 22417-200300 | PIN, COTTER 2.0X30 | 2 | 2 | | | | | | |
| 46 | 1 | 24311-000200 | O-RING, 1AP20.0 | 2 | 2 | | | | | | |
| 47 | 1 | 26116-080162 | BOLT, M8X 16 PLATED | 1 | 1 | | | | | | |
| 48 | 1 | 26716-080002 | NUT, M8 | 2 | 2 | | | | | | |

Fig.40. TRANSMISSION HOUSING

Fig. 40 TRANS MISSION HOUSING



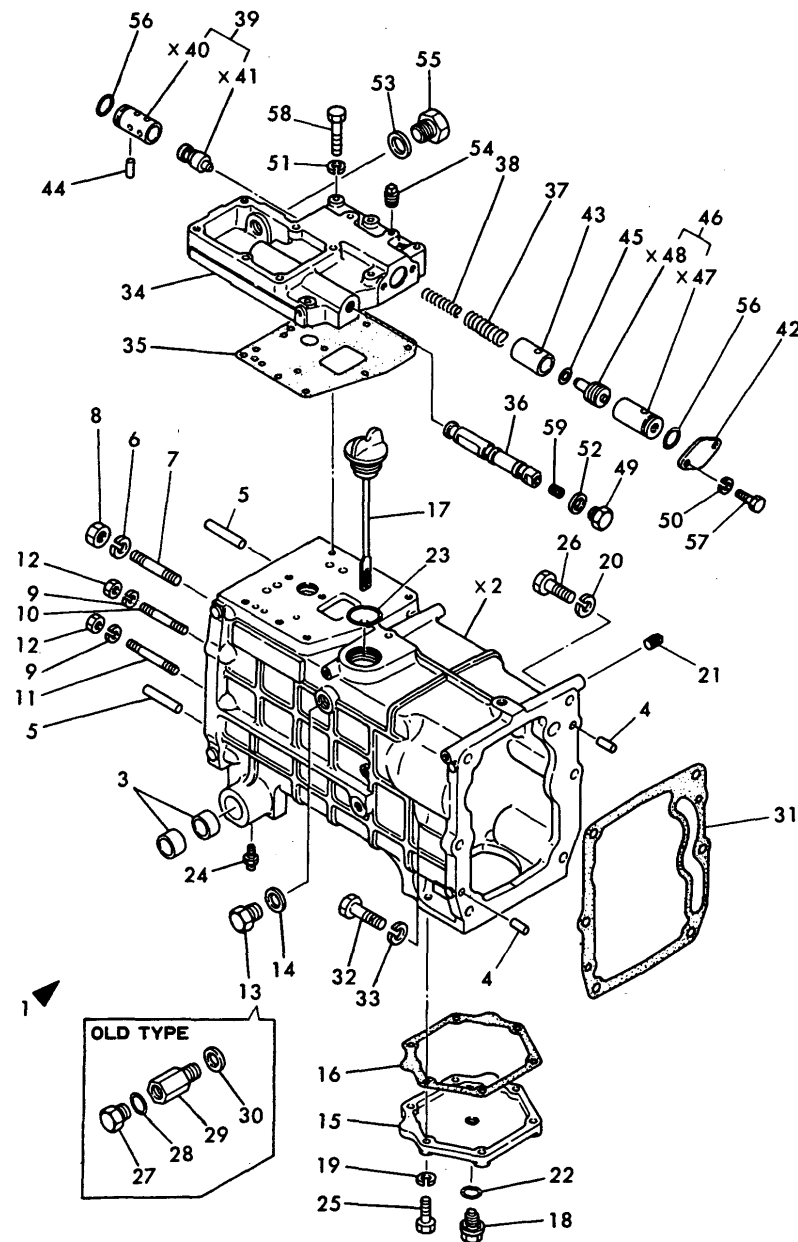
(A)=YM226
(B)=YM226D
(C)=

(D)=
(E)=
(F)=

| No. | Lev. | Parts No. | Description | Q'ty | | | | | | I | R |
|------|------|---|----------------------|------|-----|-----|-----|-----|-----|---|---|
| | | | | (A) | (B) | (C) | (D) | (E) | (F) | | |
| 1 | 1 | 194432-24100-X | HOUSING ASSY | 1 | 1 | | | | | | |
| 1-1 | 1 | 194420-24101-X (A=T/# 20349) (B=T/# 40660) | HOUSING,TRANSMISSION | 1 | 1 | | | | | | S |
| 1-2 | 1 | 194432-24101-X (A=T/# 20695) (B=T/# 41742) | HOUSING,TRANSMISSION | 1 | 1 | | | | | | N |
| 3 | 2 | 194740-06080 | BUSH, 25X30X18 | 4 | 4 | | | | | | |
| 4 | 2 | 22312-100180 | PIN, PARALLEL M10X18 | 2 | 2 | | | | | | |
| 5 | 2 | 22312-100500 | PIN, PARALLEL M10X50 | 2 | 2 | | | | | | |
| 6 | 2 | 194274-13580 | WASHER, SPRING 12 | 2 | 2 | | | | | | |
| 7 | 2 | 194432-24130 | STUD M12X 65 | 2 | 2 | | | | | | |
| 8 | 2 | 26716-120002 | NUT, M12 | 2 | 2 | | | | | | |
| 9 | 2 | 194274-13570 | WASHER, SPRING 10 | 7 | 7 | | | | | | |
| 10 | 2 | 194432-24140 | STUD M10X 65 | 5 | 5 | | | | | | |
| 11 | 2 | 194432-24150 | STUD M10X 70 | 2 | 2 | | | | | | |
| 12 | 2 | 26716-100002 | NUT, M10 | 7 | 7 | | | | | | |
| 13 | 2 | 194312-46750 (A=T/# 20349) | PLUG, PF3/8 | 1 | | | | | | | W |
| 14 | 2 | 23414-170022 (A=T/# 20349) (B=T/# 40660) | GASKET, 17X1.0 | 1 | 1 | | | | | | W |
| 14-1 | 2 | 194555-77910 (A=T/# 20682) (B=T/# 41433) | GASKET, 17 | 1 | 1 | | | | | | N |
| 15 | 1 | 194420-24270-X | COVER, TRANSMISSION | 1 | | | | | | | |
| 16 | 1 | 194420-24280 | GASKET | 1 | | | | | | | |
| 17 | 1 | 194190-24290 | DIPSTICK 33X157 | 1 | 1 | | | | | | |
| 17-1 | 1 | 194361-24290 (A=T/# 20705) (B=T/# 41804) | DIPSTICK, 33X157 | 1 | 1 | | | | | | N |
| 18 | 1 | 194151-24770 | PLUG 14, OIL | 1 | | | | | | | |
| 18-1 | 1 | 23491-140002 (A=T/# 20734) | PLUG, 14 | 1 | | | | | | | N |
| 19 | 1 | 22217-080000 | WASHER, SPRING 8 | 6 | | | | | | | |
| 20 | 1 | 22217-120000 | WASHER, SPRING 12 | 4 | 4 | | | | | | |
| 21 | 1 | 23871-010000 | PLUG, R01 | 1 | 1 | | | | | | |
| 22 | 1 | 24311-000160 | O-RING, 1AP16.0 | 1 | | | | | | | |
| 23 | 1 | 24341-000320 | O-RING, 1AS32.0 | 1 | 1 | | | | | | |
| 23-1 | 1 | 24351-020300 (A=T/# 20710) (B=T/# 41850) | O-RING 1A 2030 | 1 | 1 | | | | | | N |
| 24 | 1 | 24761-010000 | NIPPLE, GREASE M6F | 2 | 2 | | | | | | |
| 25 | 1 | 26116-080202 | BOLT, M8X 20 PLATED | 6 | | | | | | | |
| 26 | 1 | 26116-120352 | BOLT, M12X 35 PLATED | 4 | 4 | | | | | | |
| 27 | 1 | 194464-45920 (A=T/# 20349) (B=T/# 40660) | PLUG, 3/4-16UNF | 1 | 1 | | | | | | Z |
| 28 | 1 | 194464-45930 (A=T/# 20349) (B=T/# 40660) | O-RING, 8-1 | 1 | 1 | | | | | | Z |
| 29 | 1 | 194170-48950 (A=T/# 20349) (B=T/# 40660) | ADAPTER | 1 | 1 | | | | | | Z |
| 30 | 1 | 23414-170022 (A=T/# 20349) (B=T/# 40660) | GASKET, 17X1.0 | 1 | 1 | | | | | | Z |
| 31 | 1 | 194420-24120 | GASKET, MISSION CASE | 1 | 1 | | | | | | |
| 32 | 1 | 194361-24140 | STUD, M12X40 | 2 | 2 | | | | | | |
| 33 | 1 | 194274-13580 | WASHER, SPRING 12 | 2 | 2 | | | | | | |
| 34 | 1 | 194446-24500-X | CASE, REGULATOR | 1 | 1 | | | | | | |

Fig.40. TRANSMISSION HOUSING

Fig. 40 TRANS MISSION HOUSING



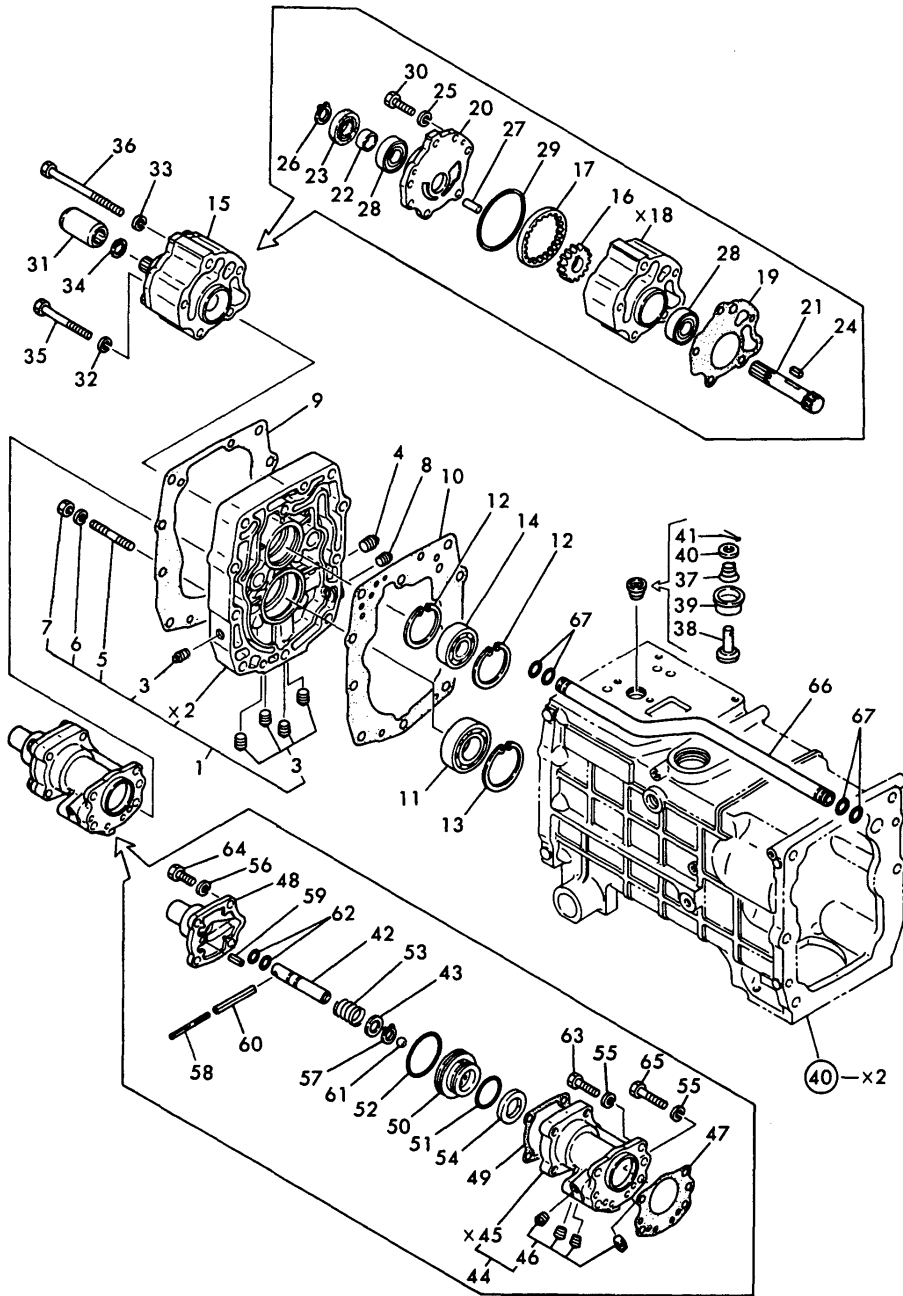
(A)=YM226
(B)=YM226D
(C)=

(D)=
(E)=
(F)=

| No. | Lev. | Parts No. | Description | Q'ty | | | | | | I | R |
|-----------------------------|------|----------------|---------------------|------|-----|-----|-----|-----|-----|---|---|
| | | | | (A) | (B) | (C) | (D) | (E) | (F) | | |
| 35 | 1 | 194300-24511 | GASKET, REGULATOR | 1 | 1 | | | | | | |
| 36 | 1 | 194310-24520 | SPOOL, VALVE | 1 | 1 | | | | | | |
| 37 | 1 | 194446-24540 | SPRING, RELIEF | 1 | 1 | | | | | | |
| 38 | 1 | 194446-24550 | SPRING, RELIEF | 1 | 1 | | | | | | |
| 39 | 1 | 194446-24560 | VALVE ASSY, RELIEF | 1 | 1 | | | | | | |
| 39-1 | 1 | 194446-24561 | VALVE ASSY, RELIEF | 1 | 1 | | | | | | N |
| (A=T/# 20349) (B=T/# 40660) | | | | | | | | | | | |
| 42 | 1 | 194300-24571-X | PLATE, END | 1 | 1 | | | | | | |
| 43 | 1 | 194446-24580 | HOLDER, SPRING | 1 | 1 | | | | | | |
| 44 | 1 | 194446-24610 | PARALLEL PIN | 1 | 1 | | | | | | |
| 45 | 1 | 194446-24620 | SHIM T=0.5 | 2 | 2 | | | | | | |
| 46 | 1 | 194446-24630 | VALVE ASSY, DRV | 1 | 1 | | | | | | |
| 49 | 1 | 194310-24660 | PLUG, 18 | 1 | 1 | | | | | | |
| 50 | 1 | 22217-060000 | WASHER, SPRING 6 | 2 | 2 | | | | | | |
| 51 | 1 | 22217-080000 | WASHER, SPRING 8 | 5 | 5 | | | | | | |
| 52 | 1 | 23414-180000 | GASKET, 18X1.0 | 1 | 1 | | | | | | |
| 53 | 1 | 23414-220000 | GASKET, 22X1.0 | 1 | 1 | | | | | | |
| 54 | 1 | 23871-010000 | PLUG, R01 | 2 | 2 | | | | | | |
| 55 | 1 | 23881-220002 | PLUG 22 | 1 | 1 | | | | | | |
| 56 | 1 | 24341-000224 | O-RING, 1AS22.4 | 2 | 2 | | | | | | |
| 57 | 1 | 26116-060122 | BOLT, M6X 12 PLATED | 2 | 2 | | | | | | |
| 58 | 1 | 26116-080452 | BOLT, M8X 45 PLATED | 5 | 5 | | | | | | |
| 59 | 1 | 26911-080082 | SCREW, M8X 8 | 1 | 1 | | | | | | |

Fig.41. CENTER PLATE & POWER SHIFT P.

Fig. 41 CENTER PLATE & POWER SHIFT PUMP



(A)=YM226
(B)=YM226D
(C)=

(D)=
(E)=
(F)=

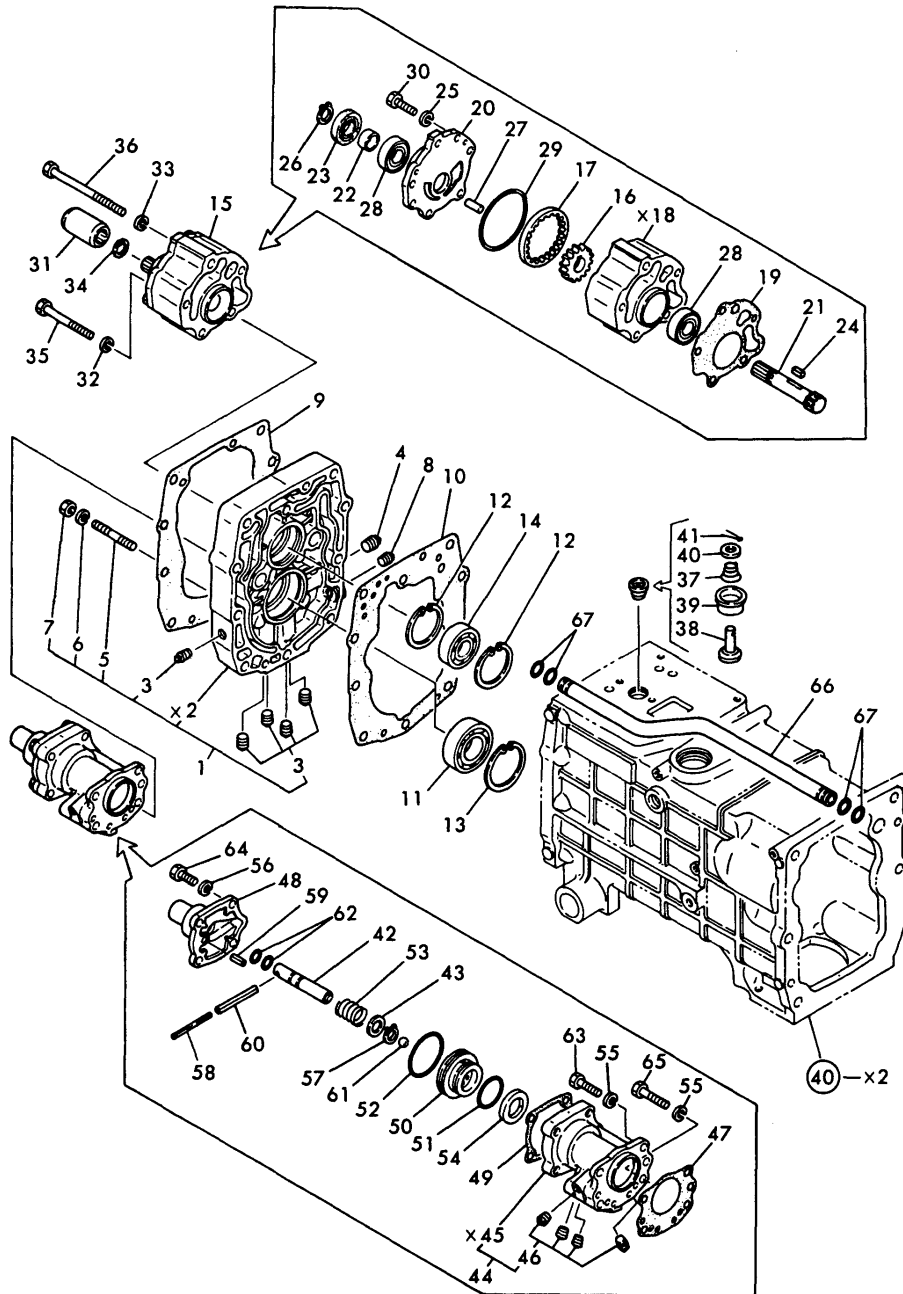
| No. | Lev. | Parts No. | Description | Qty | | | | | | I | R |
|------|------|-----------------------------|----------------------|-----|-----|-----|-----|-----|-----|---|-----|
| | | | | (A) | (B) | (C) | (D) | (E) | (F) | | |
| 1 | 1 | 194430-24150-X | PLATE ASSY, CENTER | 1 | 1 | | | | | | |
| 1-1 | 1 | 194430-24151-X | PLATE ASSY, CENTER | 1 | 1 | | | | | | S |
| | | (A=*1981.) (B=*1981.) | | | | | | | | | |
| 3 | 2 | 23871-010000 | PLUG, R01 | 5 | 5 | | | | | | |
| 4 | 2 | 23871-020000 | PLUG, R02 | 1 | 1 | | | | | | |
| 5 | 2 | 26226-080602 | STUD, M8X 60 | 1 | 1 | | | | | | |
| 6 | 2 | 22217-080000 | WASHER, SPRING 8 | 1 | 1 | | | | | | |
| 7 | 2 | 26716-080002 | NUT, M8 | 1 | 1 | | | | | | |
| 8 | 2 | 23871-030000 | PLUG, R03 | 1 | 1 | | | | | | W |
| | | (A=*) (B=*) | | | | | | | | | |
| 9 | 1 | 194420-24170 | GASKET | 1 | 1 | | | | | | |
| 10 | 1 | 194420-24180 | GASKET | 1 | 1 | | | | | | |
| 11 | 1 | 194430-24190 | BEARING, BALL 62/28 | 1 | 1 | | | | | | |
| 12 | 1 | 22252-000470 | RING, 47 | 2 | 2 | | | | | | |
| 13 | 1 | 22252-000580 | RING, 58 | 1 | 1 | | | | | | |
| 14 | 1 | 24101-062044 | BEARING, BALL 6204 | 1 | 1 | | | | | | |
| 15 | 1 | 194420-24040 | PUMP, POWERSHIFT | 1 | 1 | | | | | | |
| 16 | 2 | 194300-24340 | GEAR, DRIVE | 1 | 1 | | | | | | |
| 17 | 2 | 194300-24350 | GEAR, INTERNAL | 1 | 1 | | | | | | |
| 19 | 2 | 194420-24410 | GASKET | 1 | 1 | | | | | | |
| 20 | 2 | 194420-24420 | COVER, HOUSING | 1 | 1 | | | | | | |
| 21 | 2 | 194420-24430 | SHAFT, DRIVE | 1 | 1 | | | | | | |
| 22 | 2 | 194300-35180 | SLEEVE SI 17X22X12 | 1 | 1 | | | | | | |
| 22-1 | 2 | 194300-25180 | SLEEVE, SI 17X22X12 | 1 | 1 | | | | | | N |
| | | (A=EXXX) (B=EXXX) | | | | | | | | | |
| 23 | 2 | 194300-25190 | SEAL TC22 35 8, OIL | 1 | 1 | | | | | | |
| 23-1 | 2 | 24423-223508 | SEAL, OIL TC223508 | 1 | 1 | | | | | | R |
| | | (A=T/# 20686) (B=T/# 41542) | | | | | | | | | |
| 24 | 2 | 1E6190-55120 | KEY 5X5X15 | 1 | 1 | | | | | | |
| 25 | 2 | 22217-080000 | WASHER, SPRING 8 | 2 | 2 | | | | | | |
| 26 | 2 | 22242-000170 | RING, 17 | 1 | 1 | | | | | | |
| 27 | 2 | 22312-080200 | PIN, PARALLEL M8X20 | 2 | 2 | | | | | | |
| 28 | 2 | 24101-060034 | BEARING, BALL 6003 | 2 | 2 | | | | | | |
| 29 | 2 | 24341-000750 | O-RING, 1AS75.0 | 1 | 1 | | | | | | |
| 30 | 2 | 26116-080252 | BOLT, M8X 25 PLATED | 2 | 2 | | | | | | |
| 31 | 1 | 194300-25100 | COUPLING | 1 | 1 | | | | | | |
| 32 | 1 | 22217-080000 | WASHER, SPRING 8 | 4 | 4 | | | | | | |
| 33 | 1 | 22217-100000 | WASHER, SPRING 10 | 1 | 1 | | | | | | |
| 34 | 1 | 22252-000150 | RING, 15 | 1 | 1 | | | | | | |
| 35 | 1 | 26116-080702 | BOLT, M8X 70 PLATED | 4 | 4 | | | | | | |
| 36 | 1 | 26116-101052 | BOLT, M10X105 PLATED | 1 | 1 | | | | | | |
| 37 | 1 | 194310-24770 | SPRING | 1 | 1 | | | | | | |
| 38 | 1 | 1E6190-55660 | VALVE, 2ND RELIEF | 1 | 1 | | | | | | |
| 39 | 1 | 1E6190-55710 | SEAT, 2ND RELIEF | 1 | 1 | | | | | | |
| 40 | 1 | 22117-060000 | WASHER, 6 | 1 | 1 | | | | | | |
| 41 | 1 | 22417-200100 | COTTER PIN 2.0X10 | 1 | 1 | | | | | | |
| 42 | 1 | 194312-24070 | SHAFT, RELEASE | 1 | 1 | | | | | | |
| 42-1 | 1 | 194312-24071 | SHAFT, RELEASE | 1 | 1 | | | | | | S 1 |
| | | (A=T/# 20793) (B=T/# 42286) | | | | | | | | | |
| 43 | 1 | 194312-24090 | COLLER | 1 | 1 | | | | | | |
| 44 | 1 | 194420-24810 | CASE ASSY, OIL SEAL | 1 | 1 | | | | | | |

Fig.41. CENTER PLATE & POWER SHIFT P.

(A)=YM226
(B)=YM226D
(C)=

(D)=
(E)=
(F)=

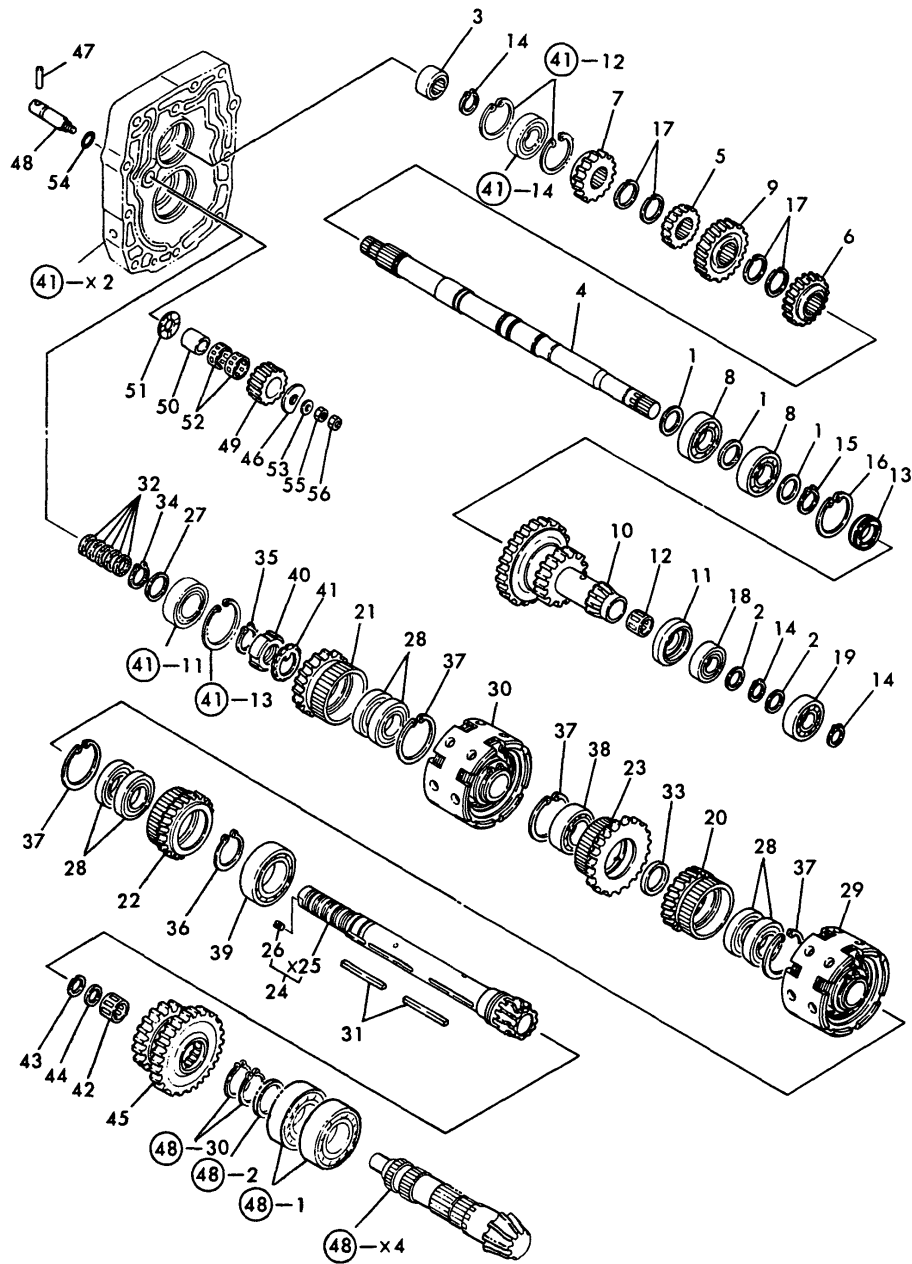
Fig. 41 CENTER PLATE & POWER SHIFT PUMP



| No. | Lev. | Parts No. | Description | Qty | | | | | | I | R |
|-----------------------------|------|--------------|---------------------|-----|-----|-----|-----|-----|-----|---|---|
| | | | | (A) | (B) | (C) | (D) | (E) | (F) | | |
| 46 | 2 | 23871-010000 | PLUG, R01 | 4 | 4 | | | | | | |
| 47 | 1 | 194420-24830 | GASKET | 1 | 1 | | | | | | |
| 48 | 1 | 194430-24840 | COVER, SEAL CASE | 1 | 1 | | | | | | |
| 49 | 1 | 194420-24850 | GASKET | 1 | 1 | | | | | | |
| 50 | 1 | 194430-24860 | PISTON | 1 | 1 | | | | | | |
| 51 | 1 | 194420-24870 | O-RING, 2037 | 1 | 1 | | | | | | |
| 52 | 1 | 194420-24880 | O-RING, 2053 | 1 | 1 | | | | | | |
| 53 | 1 | 194430-24900 | SPRING | 1 | 1 | | | | | | |
| 54 | 1 | 194430-24910 | BRAKE, NUTRAL | 1 | 1 | | | | | | |
| 55 | 1 | 22217-080000 | WASHER, SPRING 8 | 3 | 3 | | | | | | |
| 56 | 1 | 22217-080000 | WASHER, SPRING 8 | 4 | 4 | | | | | | |
| 57 | 1 | 22242-000140 | RING, 14 | 1 | 1 | | | | | | |
| 57-1 | 1 | 22242-000150 | RING, 15 | 1 | 1 | | | | | S | 1 |
| (A=T/# 20793) (B=T/# 42286) | | | | | | | | | | | |
| 58 | 1 | 22351-050056 | PIN, SPRING 5.0X56 | 1 | 1 | | | | | | |
| 59 | 1 | 22351-080016 | PIN, SPRING 8.0X16 | 1 | 1 | | | | | | |
| 60 | 1 | 22351-080056 | PIN, SPRING 8.0X56 | 1 | 1 | | | | | | |
| 61 | 1 | 24190-120001 | BALL, STEEL 3/8 | 1 | 1 | | | | | | |
| 62 | 1 | 24311-000110 | O-RING, 1AP11.0 | 2 | 2 | | | | | | |
| 63 | 1 | 26116-080252 | BOLT, M8X 25 PLATED | 2 | 2 | | | | | | |
| 64 | 1 | 26116-080252 | BOLT, M8X 25 PLATED | 4 | 4 | | | | | | |
| 65 | 1 | 26116-080352 | BOLT, M8X 35 PLATED | 1 | 1 | | | | | | |
| 66 | 1 | 194420-24950 | PIPE, SUCTION | 1 | 1 | | | | | | |
| 67 | 1 | 24341-000160 | O-RING, 1AS16.0 | 4 | 4 | | | | | | |

Fig.42. TRANSMISSION GEARS

Fig. 42 TRANS MISSION GEARS



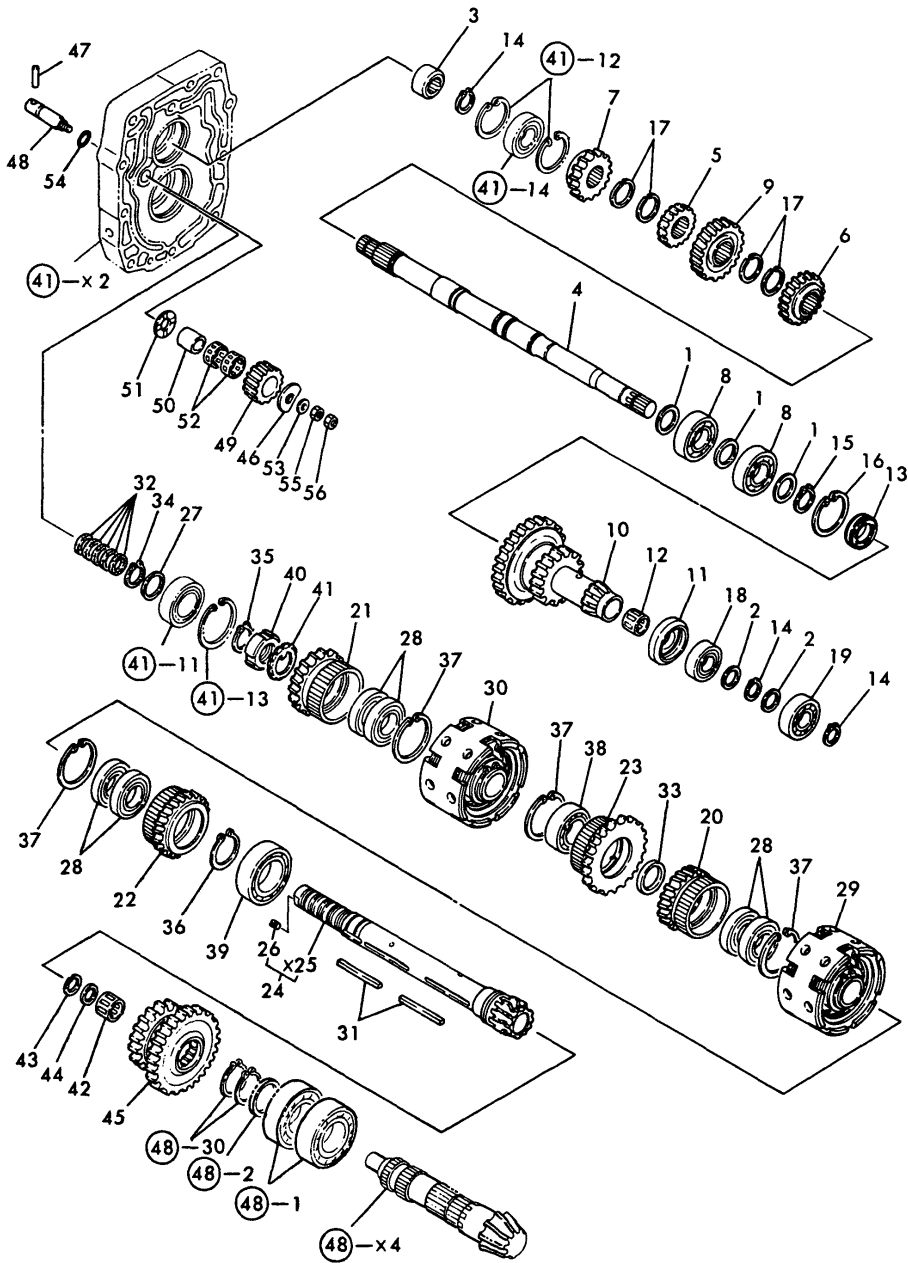
(A)=YM226
(B)=YM226D
(C)=

(D)=
(E)=
(F)=

| No. | Lev. | Parts No. | Description | Qty | | | | | | I | R |
|------|------|-----------------------------|----------------------|-----|-----|-----|-----|-----|-----|---|---|
| | | | | (A) | (B) | (C) | (D) | (E) | (F) | | |
| 1 | 1 | 1C6140-14050 | SPACER, 25.2X34X2 | 3 | 3 | | | | | | |
| 2 | 1 | 1C6140-15870 | LINER, 20.2X28X2 | 2 | 2 | | | | | | |
| 3 | 1 | 194310-25050 | COUPLING, PUMP | 1 | 1 | | | | | | |
| 4 | 1 | 194432-25120 | SHAFT, MAIN | 1 | 1 | | | | | | |
| 5 | 1 | 194430-25130 | GEAR, MAIN | 1 | 1 | | | | | | |
| 5-1 | 1 | 194430-25131 | GEAR, MAIN | 1 | 1 | | | | | | N |
| | | (A=*1981.) (B=*1981.) | | | | | | | | | |
| 6 | 1 | 194430-25140 | GEAR, MAIN | 1 | 1 | | | | | | |
| 6-1 | 1 | 194430-25141 | GEAR, MAIN | 1 | 1 | | | | | | N |
| | | (A=*1981.) (B=*1981.) | | | | | | | | | |
| 7 | 1 | 194430-25150 | GEAR, MAIN | 1 | 1 | | | | | | |
| 7-1 | 1 | 194430-25151 | GEAR, MAIN | 1 | 1 | | | | | | N |
| | | (A=*1981.) (B=*1981.) | | | | | | | | | |
| 8 | 1 | 194420-25160 | BALL BEARING | 2 | 2 | | | | | | |
| 9 | 1 | 194430-25160 | GEAR, MAIN | 1 | 1 | | | | | | |
| 9-1 | 1 | 194430-25161 | GEAR, MAIN | 1 | 1 | | | | | | N |
| | | (A=*1981.) (B=*1981.) | | | | | | | | | |
| 10 | 1 | 194432-25170 | GEAR, COUNTER | 1 | 1 | | | | | | |
| 11 | 1 | 194432-25210 | RING, THRUST | 1 | 1 | | | | | | |
| 12 | 1 | 194300-25290 | NEEDLE BEARING | 1 | 1 | | | | | | |
| 13 | 1 | 194430-25700 | CLUTCH, 1-WAY | 1 | 1 | | | | | | |
| 14 | 1 | 22242-000190 | RING, 19 | 3 | 3 | | | | | | |
| 15 | 1 | 22242-000240 | RING, 24 | 1 | 1 | | | | | | |
| 16 | 1 | 22252-000400 | RING, 40 | 1 | 1 | | | | | | |
| 17 | 1 | 22292-000260 | RING, S-26 | 4 | 4 | | | | | | |
| 18 | 1 | 24101-060044 | BEARING, BALL 6004 | 1 | 1 | | | | | | |
| 19 | 1 | 24101-062044 | BEARING, BALL 6204 | 1 | 1 | | | | | | |
| 20 | 1 | 194430-25350 | GEAR, CLUTCH | 1 | 1 | | | | | | |
| 20-1 | 1 | 194430-25351 | GEAR, CLUTCH | 1 | 1 | | | | | | N |
| | | (A=*1981.) (B=*1981.) | | | | | | | | | |
| 21 | 1 | 194430-25360 | GEAR, CLUTCH | 1 | 1 | | | | | | |
| 21-1 | 1 | 194430-25361 | GEAR, CLUTCH | 1 | 1 | | | | | | N |
| | | (A=*1981.) (B=*1981.) | | | | | | | | | |
| 22 | 1 | 194430-25370 | GEAR, CLUTCH | 1 | 1 | | | | | | |
| 22-1 | 1 | 194430-25371 | GEAR, CLUTCH | 1 | 1 | | | | | | N |
| | | (A=*1981.) (B=*1981.) | | | | | | | | | |
| 23 | 1 | 194430-25380 | GEAR, CLUTCH | 1 | 1 | | | | | | |
| 23-1 | 1 | 194430-25381 | GEAR, CLUTCH | 1 | 1 | | | | | | N |
| | | (A=*1981.) (B=*1981.) | | | | | | | | | |
| 24 | 1 | 194430-25400 | SHAFT ASSY, CLUTCH | 1 | 1 | | | | | | |
| 26 | 2 | 26911-060082 | SCREW, M6X 8 | 4 | 4 | | | | | | |
| 27 | 1 | 194430-25450 | SPACER 27X35X1.6 | 1 | 1 | | | | | | |
| 28 | 1 | 194430-25460 | BEARING, BALL 16006 | 6 | 6 | | | | | | |
| 29 | 1 | 194430-25510 | CYLINDER ASSY,CLUTCH | 1 | 1 | | | | | | |
| 29-1 | 1 | 194432-25510 | CYLINDER ASSY,CLUTCH | 1 | 1 | | | | | | N |
| | | (A=T/# 20235) (B=T/# 40540) | | | | | | | | | |
| 30 | 1 | 194430-25530 | CYLINDER ASSY,CLUTCH | 1 | 1 | | | | | | |
| 30-1 | 1 | 194432-25530 | CYLINDER ASSY,CLUTCH | 1 | 1 | | | | | | N |
| | | (A=T/# 20235) (B=T/# 40540) | | | | | | | | | |
| 31 | 1 | 194300-25820 | KEY, 5X5X61.5 | 2 | 2 | | | | | | |
| 32 | 1 | 194300-25830 | RING, SEAL 23273 | 5 | 5 | | | | | | |

Fig.42. TRANSMISSION GEARS

Fig. 42 TRANSMISSION GEARS



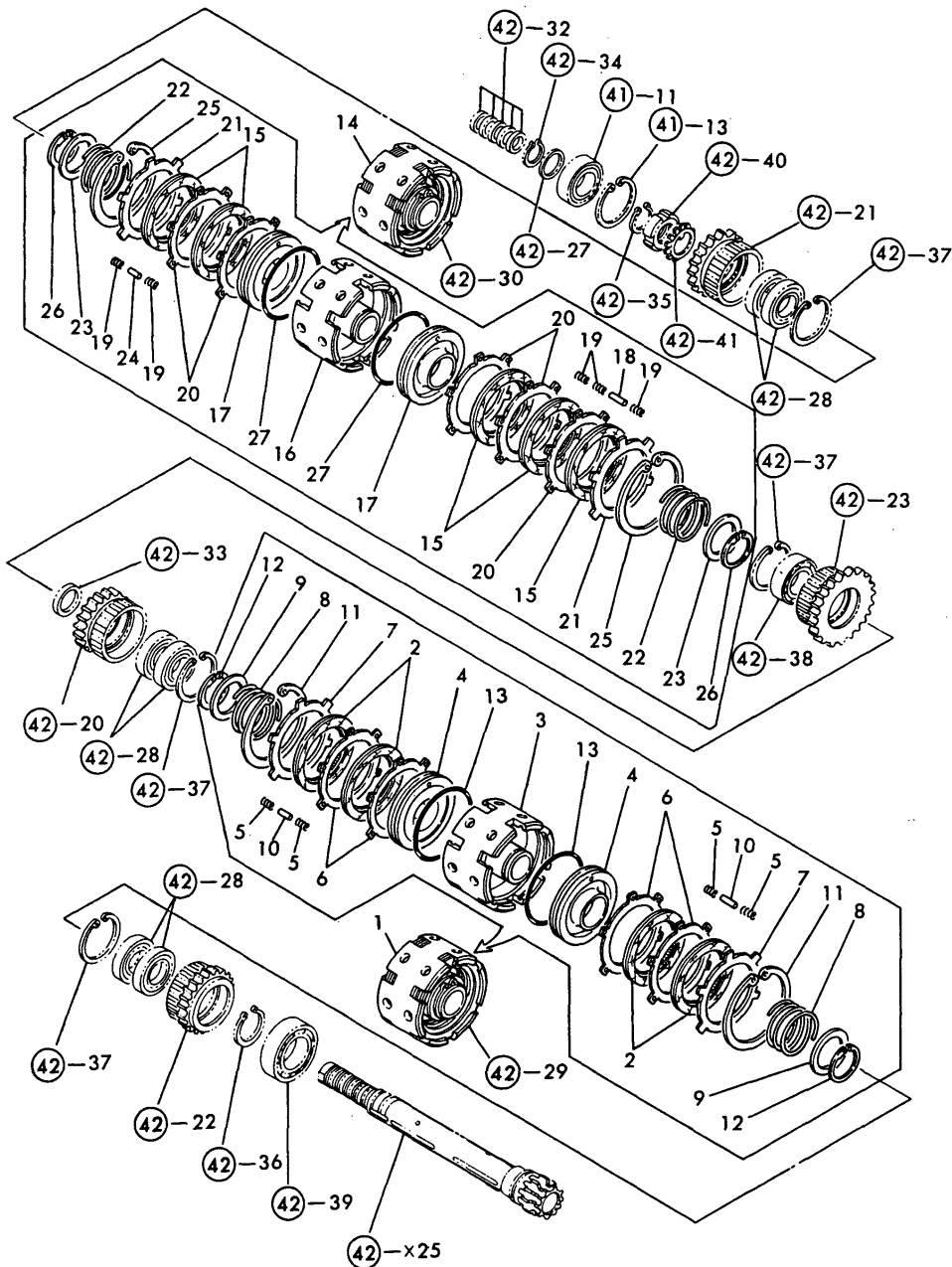
(A)=YM226
(B)=YM226D
(C)=

(D)=
(E)=
(F)=

| No. | Lev. | Parts No. | Description | Q'ty | | | | | | I | R |
|-----------------------------|------|--------------|---------------------|------|-----|-----|-----|-----|-----|---|---|
| | | | | (A) | (B) | (C) | (D) | (E) | (F) | | |
| 33 | 1 | 194300-25890 | COLLAR, 30X38X5 | 1 | 1 | | | | | | |
| 34 | 1 | 22242-000260 | RING, 26 | 1 | 1 | | | | | | |
| 35 | 1 | 22242-000280 | RING, 28 | 1 | 1 | | | | | | |
| 36 | 1 | 22242-000400 | RING, 40 | 1 | 1 | | | | | | |
| 37 | 1 | 22262-000550 | RING, R-55 | 4 | 4 | | | | | | |
| 38 | 1 | 24101-060064 | BEARING, BALL 6006 | 1 | 1 | | | | | | |
| 39 | 1 | 24101-060084 | BEARING, BALL 6008 | 1 | 1 | | | | | | |
| 40 | 1 | 24211-030002 | NUT, BEARING 30 | 1 | 1 | | | | | | |
| 41 | 1 | 24231-030000 | WASHER, 30 | 1 | 1 | | | | | | |
| 42 | 1 | 194310-25830 | NEEDLE BEARING | 1 | 1 | | | | | | |
| 43 | 1 | 194310-25840 | CIRCLIP WR18 | 1 | 1 | | | | | | |
| 44 | 1 | 194310-25850 | COLLAR 18X23X3 | 1 | 1 | | | | | | |
| 45 | 1 | 194432-25960 | GEAR, SLIDE | 1 | 1 | | | | | | |
| 46 | 1 | 194310-25350 | WASHER | 1 | 1 | | | | | | |
| 47 | 1 | 194420-25360 | PARALLEL PIN | 1 | 1 | | | | | | |
| 48 | 1 | 194430-25910 | SHAFT, REVERSE IDLE | 1 | 1 | | | | | | |
| 49 | 1 | 194430-25920 | GEAR, REVERSE IDLE | 1 | 1 | | | | | | |
| 49-1 | 1 | 194430-25921 | GEAR, REVERSE IDLE | 1 | 1 | | | | | | N |
| (A=*1981.) (B=*1981.) | | | | | | | | | | | |
| 50 | 1 | 194430-25930 | COLLAR 16.5X22X20 | 1 | 1 | | | | | | |
| 51 | 1 | 194430-25940 | WASHER 16.5X32X2.3 | 1 | 1 | | | | | | |
| 52 | 1 | 194430-25950 | NEEDLE BEARING | 2 | 2 | | | | | | |
| 52-1 | 1 | 24161-222610 | BEARING, 222610 | 2 | 2 | | | | | | R |
| (A=T/# 20585) (B=T/# 41095) | | | | | | | | | | | |
| 53 | 1 | 22137-060000 | WASHER, 6 | 1 | 1 | | | | | | |
| 54 | 1 | 24341-000140 | O-RING, 1AS14.0 | 1 | 1 | | | | | | |
| 55 | 1 | 26716-060002 | NUT, M6 | 1 | 1 | | | | | | |
| 56 | 1 | 26756-060002 | NUT, LOCK M6 | 1 | 1 | | | | | | |

Fig.43. CYLINDER OF POWER SHIFT CLUTCH

Fig. 43 CYLINDER OF POWER SHIFT CLUTCH



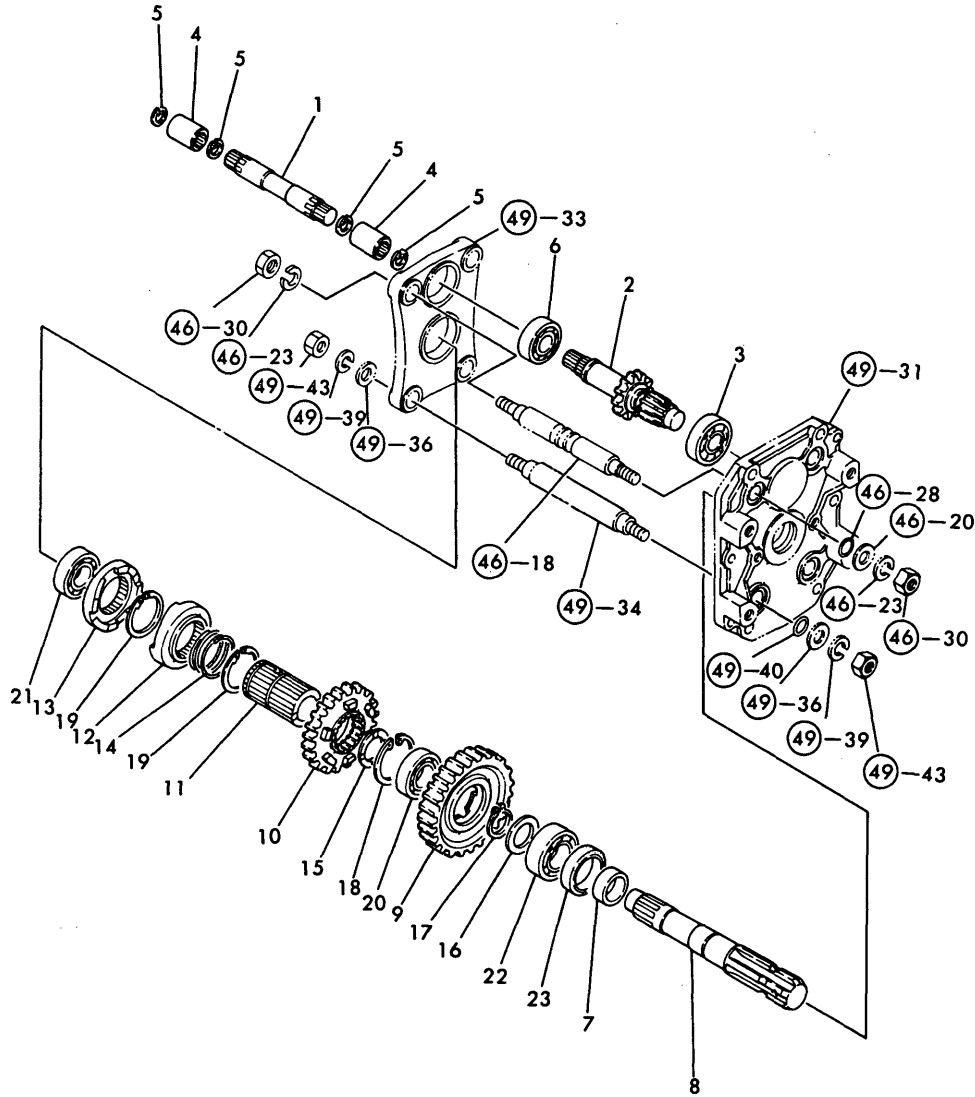
(A)=YM226
(B)=YM226D
(C)=

(D)=
(E)=
(F)=

| No. | Lev. | Parts No. | Description | Q'ty | | | | | | I | R |
|------|------|-----------------------------|----------------------|------|-----|-----|-----|-----|-----|---|---|
| | | | | (A) | (B) | (C) | (D) | (E) | (F) | | |
| 1 | 1 | 194430-25510 | CYLINDER ASSY,CLUTCH | 1 | 1 | | | | | | |
| 1-1 | 1 | 194432-25510 | CYLINDER ASSY,CLUTCH | 1 | 1 | | | | | | N |
| | | (A=T/# 20235) (B=T/# 40540) | | | | | | | | | |
| 2 | 2 | 194430-25390 | PLATE, FRICTION 95 | 4 | 4 | | | | | | |
| 3 | 2 | 194430-25520 | CYLINDER, CLUTCH | 1 | 1 | | | | | | |
| 3-1 | 2 | 194432-25520 | CYLINDER, CLUTCH | 1 | 1 | | | | | | N |
| | | (A=T/# 20235) (B=T/# 40540) | | | | | | | | | |
| 4 | 2 | 194430-25550 | PISTON, CLUTCH | 2 | 2 | | | | | | |
| 5 | 2 | 194310-25630 | SPRING, CLUTCH | 24 | 24 | | | | | | |
| 6 | 2 | 194430-25770 | PLATE, STEEL 1.6T | 4 | 4 | | | | | | |
| 7 | 2 | 194430-25780 | PLATE, STEEL 3.5 | 2 | 2 | | | | | | |
| 8 | 2 | 194430-25790 | SPRING, RETURN | 2 | 2 | | | | | | |
| 9 | 2 | 194440-25810 | RETAINER, 40X54X2.3 | 2 | 2 | | | | | | |
| 10 | 2 | 1E6190-54480 | PIN 2X9.7 | 12 | 12 | | | | | | |
| 11 | 2 | 22252-000950 | RING, 95 | 2 | 2 | | | | | | |
| 12 | 2 | 22292-000400 | RING, S-40 | 2 | 2 | | | | | | |
| 13 | 2 | 24325-000900 | O-RING, 1BG90.0 | 2 | 2 | | | | | | |
| 14 | 1 | 194430-25530 | CYLINDER ASSY,CLUTCH | 1 | 1 | | | | | | |
| 14-1 | 1 | 194432-25530 | CYLINDER ASSY,CLUTCH | 1 | 1 | | | | | | N |
| | | (A=T/# 20235) (B=T/# 40540) | | | | | | | | | |
| 15 | 2 | 194430-25390 | PLATE, FRICTION 95 | 5 | 5 | | | | | | |
| 16 | 2 | 194430-25540 | CYLINDER, CLUTCH | 1 | 1 | | | | | | |
| 16-1 | 2 | 194432-25540 | CYLINDER, CLUTCH | 1 | 1 | | | | | | N |
| | | (A=T/# 20235) (B=T/# 40540) | | | | | | | | | |
| 17 | 2 | 194430-25550 | PISTON, CLUTCH | 2 | 2 | | | | | | |
| 18 | 2 | 194310-25620 | PIN 2X14.3 | 6 | 6 | | | | | | |
| 19 | 2 | 194310-25630 | SPRING, CLUTCH | 30 | 30 | | | | | | |
| 20 | 2 | 194430-25770 | PLATE, STEEL 1.6T | 5 | 5 | | | | | | |
| 21 | 2 | 194430-25780 | PLATE, STEEL 3.5 | 2 | 2 | | | | | | |
| 22 | 2 | 194430-25790 | SPRING, RETURN | 2 | 2 | | | | | | |
| 23 | 2 | 194440-25810 | RETAINER, 40X54X2.3 | 2 | 2 | | | | | | |
| 24 | 2 | 1E6190-54480 | PIN 2X9.7 | 6 | 6 | | | | | | |
| 25 | 2 | 22252-000950 | RING, 95 | 2 | 2 | | | | | | |
| 26 | 2 | 22292-000400 | RING, S-40 | 2 | 2 | | | | | | |
| 27 | 2 | 24325-000900 | O-RING, 1BG90.0 | 2 | 2 | | | | | | |

Fig.44. P.T.O.DRIVE SHAFT

Fig. 44 P.T.O. DRIVE SHAFT



(A)=YM226
(B)=YM226D
(C)=

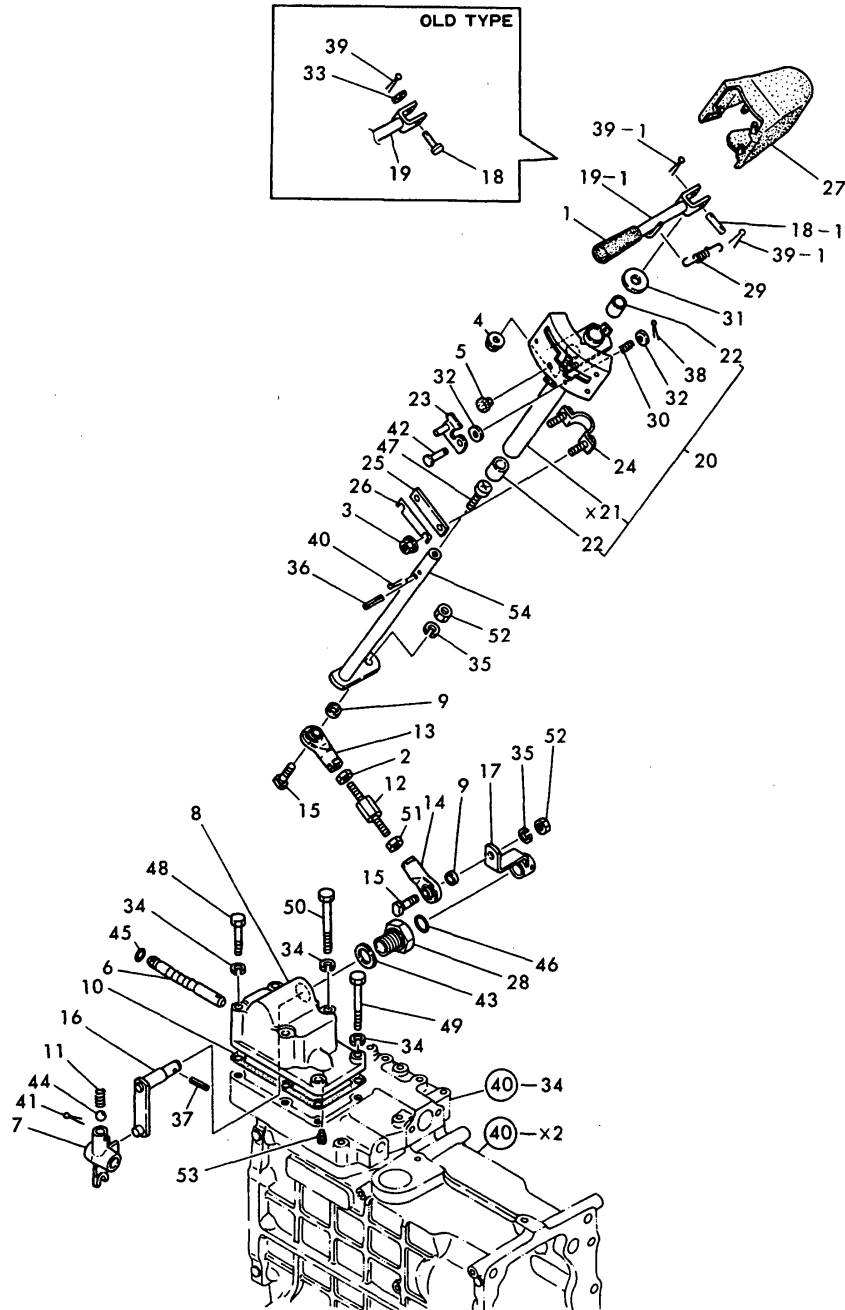
(D)=
(E)=
(F)=

| No. | Lev. | Parts No. | Description | Q'ty | | | | | | I | R |
|------|------|--------------|----------------------|------|-----|-----|-----|-----|-----|---|---|
| | | | | (A) | (B) | (C) | (D) | (E) | (F) | | |
| 1 | 1 | 194432-25990 | SHAFT, CONNECTING | 1 | 1 | | | | | | |
| 2 | 1 | 194432-26110 | SHAFT, PTO PINION | 1 | 1 | | | | | | |
| 3 | 1 | 194361-26120 | BALL BEARING | 1 | 1 | | | | | | |
| 4 | 1 | 194190-26180 | JOINT | 2 | 2 | | | | | | |
| 5 | 1 | 22252-000170 | RING, 17 | 4 | 4 | | | | | | |
| 6 | 1 | 24101-062044 | BEARING, BALL 6204 | 1 | 1 | | | | | | |
| 7 | 1 | 195040-13320 | COLLAR, 30X38X14 | 1 | 1 | | | | | | |
| 8 | 1 | 194432-26500 | SHAFT, P.T.O. | 1 | 1 | | | | | | |
| 9 | 1 | 194432-26550 | GEAR, P.T.O. | 1 | 1 | | | | | | |
| 10 | 1 | 194432-26560 | GEAR, SLIDE | 1 | 1 | | | | | | |
| 11 | 1 | 194432-26670 | COLLAR, SLIDER | 1 | 1 | | | | | | |
| 12 | 1 | 194197-26690 | CAM (A), PTO CLUTCH | 1 | 1 | | | | | | |
| 13 | 1 | 194197-26700 | CAM (B), PTO CLUTCH | 1 | 1 | | | | | | |
| 14 | 1 | 194197-26710 | SPRING, 23 | 1 | 1 | | | | | | |
| 15 | 1 | 194191-28350 | WASHER, 30X45X2.5 | 1 | 1 | | | | | | |
| 16 | 1 | 194310-37560 | WASHER | 1 | 1 | | | | | | |
| 17 | 1 | 22242-000290 | RING, 29 | 1 | 1 | | | | | | |
| 18 | 1 | 22252-000550 | RING, 55 | 1 | 1 | | | | | | |
| 19 | 1 | 22292-000450 | RING, S-45 | 2 | 2 | | | | | | |
| 20 | 1 | 24101-060064 | BEARING, BALL 6006 | 1 | 1 | | | | | | |
| 21 | 1 | 24101-062054 | BEARING, BALL 6205 | 1 | 1 | | | | | | |
| 22 | 1 | 24101-062064 | BEARING, BALL 6206 | 1 | 1 | | | | | | |
| 23 | 1 | 194990-52600 | SEAL TC 38 55 8, OIL | 1 | 1 | | | | | | |
| 23-1 | 1 | 24423-385508 | SEAL, OIL TC385508 | 1 | 1 | | | | | | R |

(A)=T/# 20686) (B)=T/# 41542)

Fig.45. COLUMN SHIFT

Fig. 45 COLUMN SHIFT



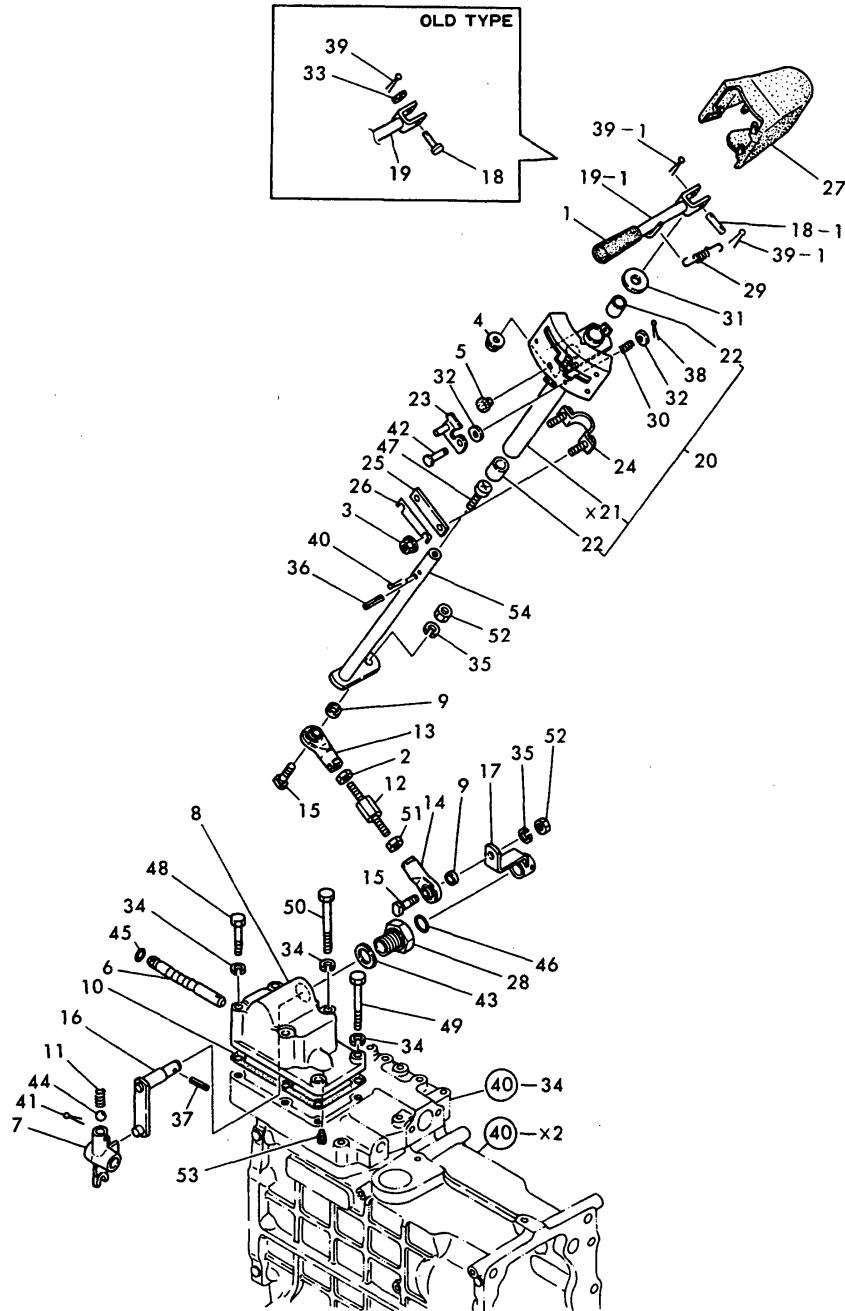
(A)=YM226
(B)=YM226D
(C)=

(D)=
(E)=
(F)=

| No. | Lev. | Parts No. | Description | Q'ty | | | | | | I | R |
|------|------|-----------------------------|--------------------|------|-----|-----|-----|-----|-----|---|-----|
| | | | | (A) | (B) | (C) | (D) | (E) | (F) | | |
| 1 | 1 | 194464-01190 | KNOB, LEVER | 1 | 1 | | | | | | |
| 2 | 1 | 194990-20170 | NUT, M8 | 1 | 1 | | | | | | |
| 3 | 1 | 194990-22130 | NUT, M6 | 2 | 2 | | | | | | |
| 4 | 1 | 194990-22140 | NUT, M8 | 1 | 1 | | | | | | |
| 5 | 1 | 1C6053-26020 | CAP, RUBBER 8X3 | 1 | 1 | | | | | | |
| 6 | 1 | 194170-27100 | SHAFT, FORK | 1 | 1 | | | | | | |
| 7 | 1 | 194170-27120 | FORK, SHIFT | 1 | 1 | | | | | | |
| 8 | 1 | 194170-27130-X | COVER | 1 | 1 | | | | | | |
| 9 | 1 | 194170-27140 | COLLAR 14X10X5 | 2 | 2 | | | | | | |
| 9-1 | 1 | 194145-04810 | WASHER 10 | 2 | 2 | | | | | | N |
| | | (A=T/# 20686) (B=T/# 41542) | | | | | | | | | |
| 10 | 1 | 194300-27140 | GASKET | 1 | 1 | | | | | | |
| 11 | 1 | 194310-27140 | SPRING, SHIFT FORK | 1 | 1 | | | | | | |
| 12 | 1 | 194170-27150 | BOLT, ADJUST | 1 | 1 | | | | | | |
| 13 | 1 | 194170-27170-X | END (L), ROD | 1 | 1 | | | | | | |
| 14 | 1 | 194170-27180-X | END (R), ROD | 1 | 1 | | | | | | |
| 15 | 1 | 194170-27190 | BOLT, M10X28 | 2 | 2 | | | | | | |
| 16 | 1 | 194170-27210-X | ARM, SHIFT | 1 | 1 | | | | | | |
| 17 | 1 | 194170-27220-X | ARM (B), SHIFT | 1 | 1 | | | | | | |
| 18 | 1 | 194300-27240 | PIN 5X24.5 | 1 | 1 | | | | | | |
| 18-1 | 1 | 194170-27380 | PIN, 5X30.5 | 1 | 1 | | | | | | S 1 |
| | | (A=T/# 20734) (B=T/# 41961) | | | | | | | | | |
| 19 | 1 | 194170-27260-U | LEVER, MAIN SHIFT | 1 | 1 | | | | | | |
| 19-1 | 1 | 194170-27261-U | LEVER, MAIN SHIFT | 1 | 1 | | | | | | N |
| | | (A=T/# 20734) (B=T/# 41961) | | | | | | | | | |
| 20 | 1 | 194432-27270-X | GUIDE ASSY, LEVER | 1 | 1 | | | | | | |
| 22 | 2 | 194145-47160 | BUSH 13X15X15 | 2 | 2 | | | | | | |
| 22-1 | 2 | 24550-013150 | BUSH, 13X15 | 2 | 2 | | | | | | N |
| | | (A=T/# 20774) (B=T/# 42152) | | | | | | | | | |
| 23 | 1 | 194170-27290-X | PLATE, LOCK | 1 | 1 | | | | | | |
| 24 | 1 | 194170-27310-X | CLAMP | 1 | 1 | | | | | | |
| 25 | 1 | 194170-27320-X | PLATE | 2 | 2 | | | | | | |
| 26 | 1 | 194170-27330-U | SHIM, CLAMP | 2 | 2 | | | | | | |
| 27 | 1 | 194170-27340-X | COVER | 1 | 1 | | | | | | |
| 28 | 1 | 194300-27370 | HOLDER | 1 | 1 | | | | | | |
| 29 | 1 | 194440-29580 | SPRING, LEVER | 1 | 1 | | | | | | |
| 30 | 1 | 194162-53310 | SPRING | 1 | 1 | | | | | | |
| 31 | 1 | 194500-27150 | WASHER, 13X19X2 | 1 | 1 | | | | | | |
| 31-1 | 1 | 22137-140000 | WASHER, 14 | 1 | 1 | | | | | | S |
| | | (A=*1981.) (B=*1981.) | | | | | | | | | |
| 32 | 1 | 22137-040000 | WASHER, 4 | 2 | 2 | | | | | | |
| 33 | 1 | 22137-050000 | WASHER, 5 | 1 | 1 | | | | | | Z |
| | | (A=*) (B=*) | | | | | | | | | |
| 34 | 1 | 22217-080000 | WASHER, SPRING 8 | 6 | 6 | | | | | | |
| 35 | 1 | 22217-100000 | WASHER, SPRING 10 | 2 | 2 | | | | | | |
| 36 | 1 | 22351-030020 | PIN, SPRING 3.0X20 | 1 | 1 | | | | | | |
| 37 | 1 | 22351-050025 | PIN, SPRING 5.0X25 | 1 | 1 | | | | | | |
| 38 | 1 | 22417-120100 | PIN, COTTER 1.2X10 | 1 | 1 | | | | | | |
| 39 | 1 | 22417-160180 | PIN, COTTER 1.6X18 | 1 | 1 | | | | | | |
| 39-1 | 1 | 22417-160180 | PIN, COTTER 1.6X18 | 2 | 2 | | | | | | K 1 |
| | | (A=T/# 20734) (B=T/# 41961) | | | | | | | | | |

Fig.45. COLUMN SHIFT

Fig. 45 COLUMN SHIFT



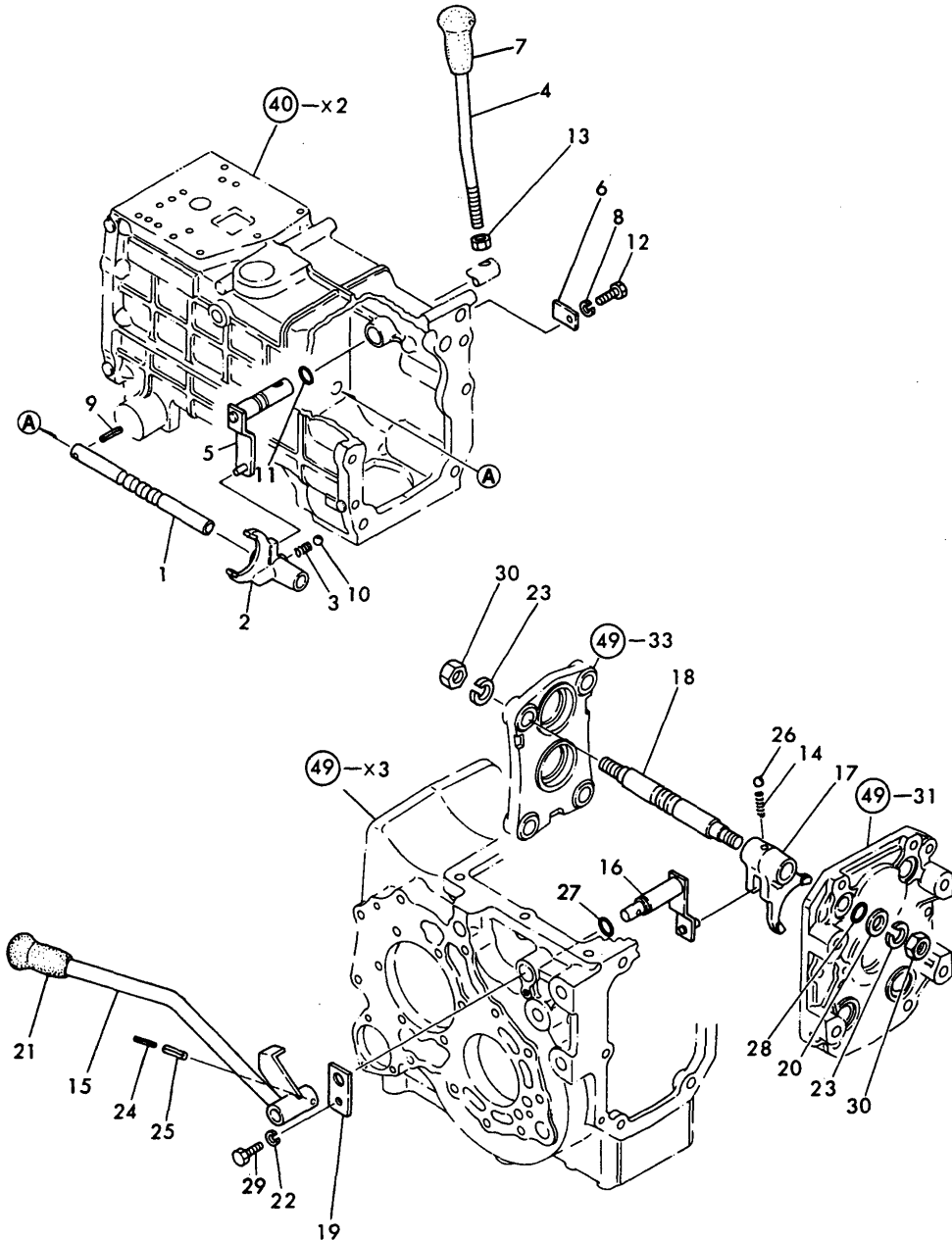
(A)=YM226
(B)=YM226D
(C)=

(D)=
(E)=
(F)=

| No. | Lev. | Parts No. | Description | Q'ty | | | | | | I | R |
|-----|------|--------------|---------------------|------|-----|-----|-----|-----|-----|---|---|
| | | | | (A) | (B) | (C) | (D) | (E) | (F) | | |
| 40 | 1 | 22417-300250 | PIN, COTTER 3.0X25 | 1 | 1 | | | | | | |
| 41 | 1 | 22417-300250 | PIN, COTTER 3.0X25 | 1 | 1 | | | | | | |
| 42 | 1 | 22487-040140 | PIN, H 4X 14 | 1 | 1 | | | | | | |
| 43 | 1 | 23414-220000 | GASKET, 22X1.0 | 1 | 1 | | | | | | |
| 44 | 1 | 24190-140001 | BALL, STEEL 7/16 | 1 | 1 | | | | | | |
| 45 | 1 | 24311-000090 | O-RING, 1AP9.0 | 1 | 1 | | | | | | |
| 46 | 1 | 24311-000140 | O-RING, 1AP14.0 | 1 | 1 | | | | | | |
| 47 | 1 | 26557-060082 | SCREW, M6X 8 | 1 | 1 | | | | | | |
| 48 | 1 | 26116-080602 | BOLT, M8X 60 PLATED | 2 | 2 | | | | | | |
| 49 | 1 | 26116-080702 | BOLT, M8X 70 PLATED | 2 | 2 | | | | | | |
| 50 | 1 | 26116-081052 | BOLT, M8X105 PLATED | 2 | 2 | | | | | | |
| 51 | 1 | 26716-080002 | NUT, M8 | 1 | 1 | | | | | | |
| 52 | 1 | 26716-100002 | NUT, M10 | 2 | 2 | | | | | | |
| 53 | 1 | 26921-080142 | SCREW M 8X14 | 1 | 1 | | | | | | |
| 54 | 1 | 194432-27201 | SHAFT, MAIN SHIFT | 1 | 1 | | | | | | |

Fig.46. RANGE SHIFT

Fig. 46 RANGE SHIFT



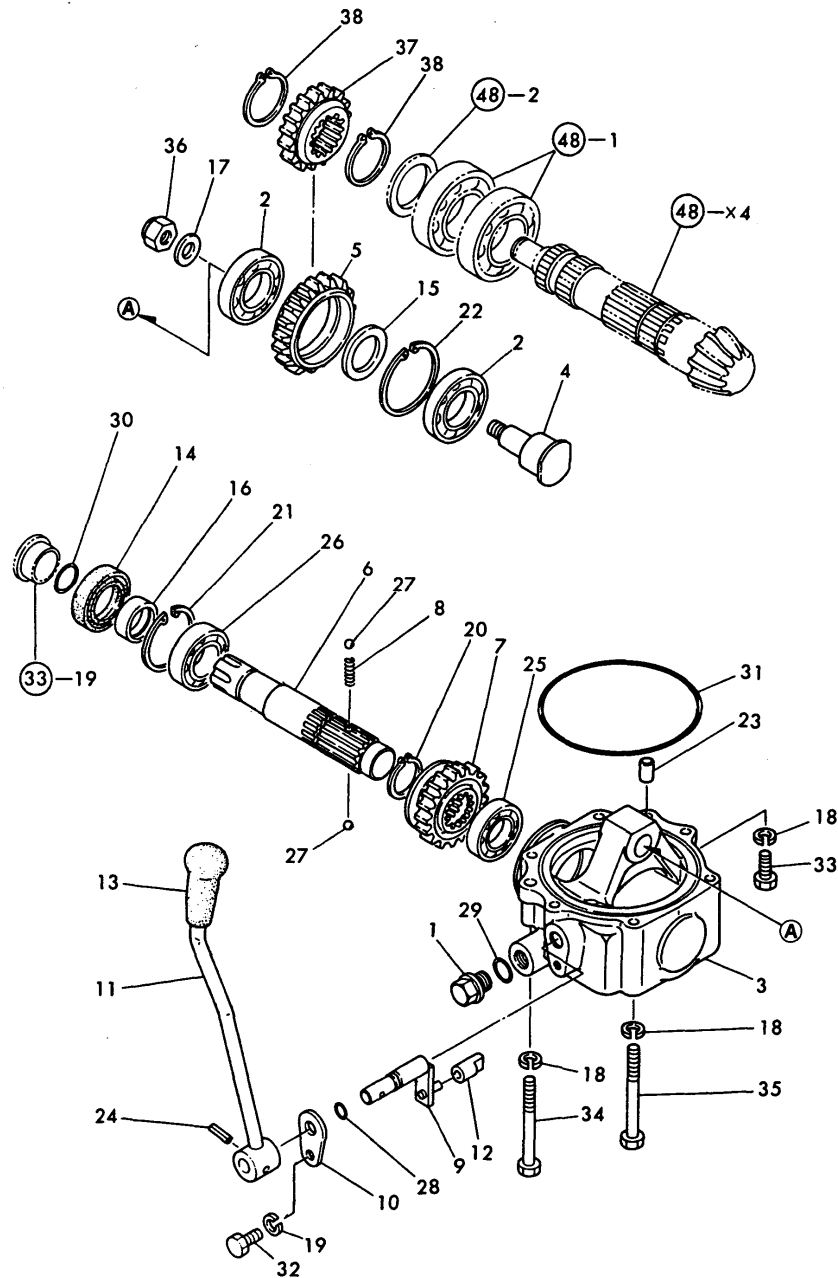
(A)=YM226
(B)=YM226D
(C)=

(D)=
(E)=
(F)=

| No. | Lev. | Parts No. | Description | Qty | | | | | | I | R |
|-----------------------------|------|----------------|---------------------|-----|-----|-----|-----|-----|-----|---|---|
| | | | | (A) | (B) | (C) | (D) | (E) | (F) | | |
| 1 | 1 | 194432-27110-X | LEVER, GEAR SHIFT | 1 | 1 | | | | | | |
| 2 | 1 | 194420-27160 | FORK, SHIFT | 1 | 1 | | | | | | |
| 3 | 1 | 194310-27180 | SPRING, 22.2 | 1 | 1 | | | | | | |
| 4 | 1 | 194432-27350-X | LEVER, RANGE SHIFT | 1 | 1 | | | | | | |
| 5 | 1 | 194420-27360 | ARM, SHIFT | 1 | 1 | | | | | | |
| 6 | 1 | 194241-27540 | PLATE, KEEP | 1 | 1 | | | | | | |
| 7 | 1 | 194990-85561 | KNOB, HIGH/LOW | 1 | 1 | | | | | | |
| 8 | 1 | 22217-080000 | WASHER, SPRING 8 | 1 | 1 | | | | | | |
| 9 | 1 | 22351-060025 | PIN, SPRING 6.0X25 | 1 | 1 | | | | | | |
| 10 | 1 | 24190-100001 | BALL, STEEL 5/16 | 1 | 1 | | | | | | |
| 11 | 1 | 24311-000160 | O-RING, 1AP16.0 | 1 | 1 | | | | | | |
| 12 | 1 | 26116-080162 | BOLT, M8X 16 PLATED | 1 | 1 | | | | | | |
| 13 | 1 | 26716-120002 | NUT, M12 | 1 | 1 | | | | | | |
| 14 | 1 | 194310-27180 | SPRING, 22.2 | 1 | 1 | | | | | | |
| 15 | 1 | 194432-27560-X | LEVER, PTO CHANGE | 1 | 1 | | | | | | |
| 16 | 1 | 194430-27570 | ARM, P.T.O. SHIFT | 1 | 1 | | | | | | |
| 16-1 | 1 | 194430-27571 | ARM, SHIFT | 1 | 1 | | | | | | N |
| (A=T/# 20768) (B=T/# 42029) | | | | | | | | | | | |
| 17 | 1 | 194361-27640 | FORK, SHIFT | 1 | 1 | | | | | | |
| 18 | 1 | 194432-27660 | SHAFT, FORK | 1 | 1 | | | | | | |
| 19 | 1 | 194150-27760 | PLATE, KEEP | 1 | 1 | | | | | | |
| 20 | 1 | 194150-27870 | WASHER, 16X26X2 | 1 | 1 | | | | | | |
| 21 | 1 | 194145-27960 | KNOB | 1 | 1 | | | | | | |
| 22 | 1 | 22217-080000 | WASHER, SPRING 8 | 1 | 1 | | | | | | |
| 23 | 1 | 22217-160000 | WASHER, SPRING 16 | 2 | 2 | | | | | | |
| 24 | 1 | 22351-035032 | PIN, SPRING 3.5X32 | 1 | 1 | | | | | | |
| 25 | 1 | 22351-060032 | PIN, SPRING 6.0X32 | 1 | 1 | | | | | | |
| 26 | 1 | 24190-100001 | BALL, STEEL 5/16 | 1 | 1 | | | | | | |
| 27 | 1 | 24311-000160 | O-RING, 1AP16.0 | 1 | 1 | | | | | | |
| 28 | 1 | 24341-000160 | O-RING, 1AS16.0 | 1 | 1 | | | | | | |
| 29 | 1 | 26116-080162 | BOLT, M8X 16 PLATED | 1 | 1 | | | | | | |
| 30 | 1 | 26736-160002 | NUT, M16 | 2 | 2 | | | | | | |

Fig.47. FRONT DRIVE & SHIFT

Fig. 47 FRONT DRIVE & SHIFT



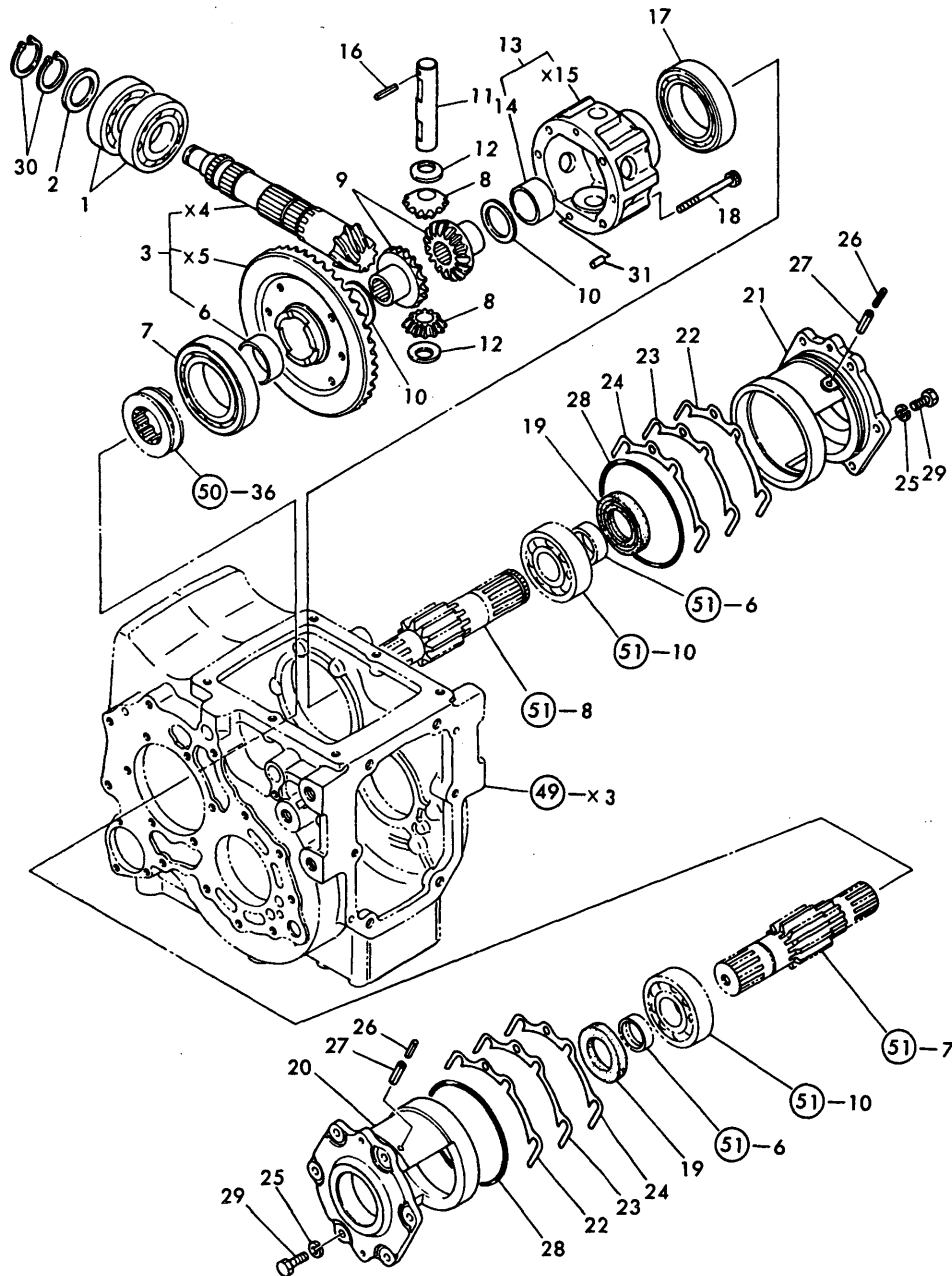
(A)=YM226
(B)=YM226D
(C)=

(D)=
(E)=
(F)=

| No. | Lev. | Parts No. | Description | Q'ty | | | | | | I | R |
|------|------|-----------------------------|----------------------|------|-----|-----|-----|-----|-----|---|---|
| | | | | (A) | (B) | (C) | (D) | (E) | (F) | | |
| 1 | 1 | 194151-24770 | PLUG 14, OIL | | 1 | | | | | | |
| 1-1 | 1 | 23491-140002 | PLUG, 14 | | 1 | | | | | | N |
| | | (A=T/# 20734) (B=T/# 41961) | | | | | | | | | |
| 2 | 1 | 194430-25460 | BEARING, BALL 16006 | | 2 | | | | | | |
| 3 | 1 | 194433-28110-X | HOUSING, FRONT DRIVE | | 1 | | | | | | |
| 4 | 1 | 194433-28150 | SHAFT, GEAR | | 1 | | | | | | |
| 5 | 1 | 194433-28160 | GEAR, FRONT IDLE | | 1 | | | | | | |
| 6 | 1 | 194421-28211 | SHAFT, FRONT DRIVE | | 1 | | | | | | |
| 7 | 1 | 194433-28220 | GEAR, FRONT DRIVE | | 1 | | | | | | |
| 8 | 1 | 194311-28230 | SPRING, 21.2 | | 1 | | | | | | |
| 9 | 1 | 194421-28310 | ARM, SHIFT | | 1 | | | | | | |
| 10 | 1 | 194311-28320 | PLATE, KEEP | | 1 | | | | | | |
| 11 | 1 | 194433-28330-X | LEVER, FRONT SHIFT | | 1 | | | | | | |
| 12 | 1 | 194191-28451 | BLOCK, SHIFT | | 1 | | | | | | |
| 13 | 1 | 194191-28480 | KNOB, SHIFT | | 1 | | | | | | |
| 14 | 1 | 1A1040-28820 | SEAL TC30 52 8, OIL | | 1 | | | | | | |
| 14-1 | 1 | 24421-305208 | SEAL, OIL TC305208 | | 1 | | | | | | R |
| | | (A=T/# 20686) (B=T/# 41542) | | | | | | | | | |
| 15 | 1 | 194310-37560 | WASHER | | 1 | | | | | | |
| 16 | 1 | 1E6190-54080 | SLEEVE SI25X30X13 | | 1 | | | | | | |
| 17 | 1 | 22117-120000 | WASHER, 12 | | 1 | | | | | | |
| 18 | 1 | 22217-080000 | WASHER, SPRING 8 | | 6 | | | | | | |
| 19 | 1 | 22217-080000 | WASHER, SPRING 8 | | 1 | | | | | | |
| 20 | 1 | 22242-000290 | RING, 29 | | 1 | | | | | | |
| 21 | 1 | 22252-000520 | RING, 52 | | 1 | | | | | | |
| 22 | 1 | 22252-000550 | RING, 55 | | 1 | | | | | | |
| 23 | 1 | 22312-100140 | PIN, PARALLEL M10X14 | | 2 | | | | | | |
| 24 | 1 | 22351-060025 | PIN, SPRING 6.0X25 | | 1 | | | | | | |
| 25 | 1 | 24101-060054 | BEARING, BALL 6005 | | 1 | | | | | | |
| 26 | 1 | 24101-062054 | BEARING, BALL 6205 | | 1 | | | | | | |
| 27 | 1 | 24190-080001 | BALL, STEEL 1/4 | | 2 | | | | | | |
| 28 | 1 | 24311-000110 | O-RING, 1AP11.0 | | 1 | | | | | | |
| 29 | 1 | 24311-000160 | O-RING, 1AP16.0 | | 1 | | | | | | |
| 30 | 1 | 24311-000210 | O-RING, 1AP21.0 | | 1 | | | | | | |
| 31 | 1 | 24321-001150 | O-RING, 1AG115.0 | | 1 | | | | | | |
| 32 | 1 | 26116-080162 | BOLT, M8X 16 PLATED | | 1 | | | | | | |
| 33 | 1 | 26116-080202 | BOLT, M8X 20 PLATED | | 1 | | | | | | |
| 34 | 1 | 26116-080752 | BOLT, M8X 75 PLATED | | 3 | | | | | | |
| 35 | 1 | 26116-080802 | BOLT, M8X 80 PLATED | | 2 | | | | | | |
| 36 | 1 | 26346-120002 | NUT, M12 | | 1 | | | | | | |
| 37 | 1 | 194433-28280 | PINION, DRIVE | | 1 | | | | | | |
| 38 | 1 | 22242-000340 | RING, 34 | | 2 | | | | | | |

Fig.48. DIFFERENTIAL GEARS (REAR AXLE)

Fig. 48 DIFFERENTIAL GEARS OF REAR AXLE



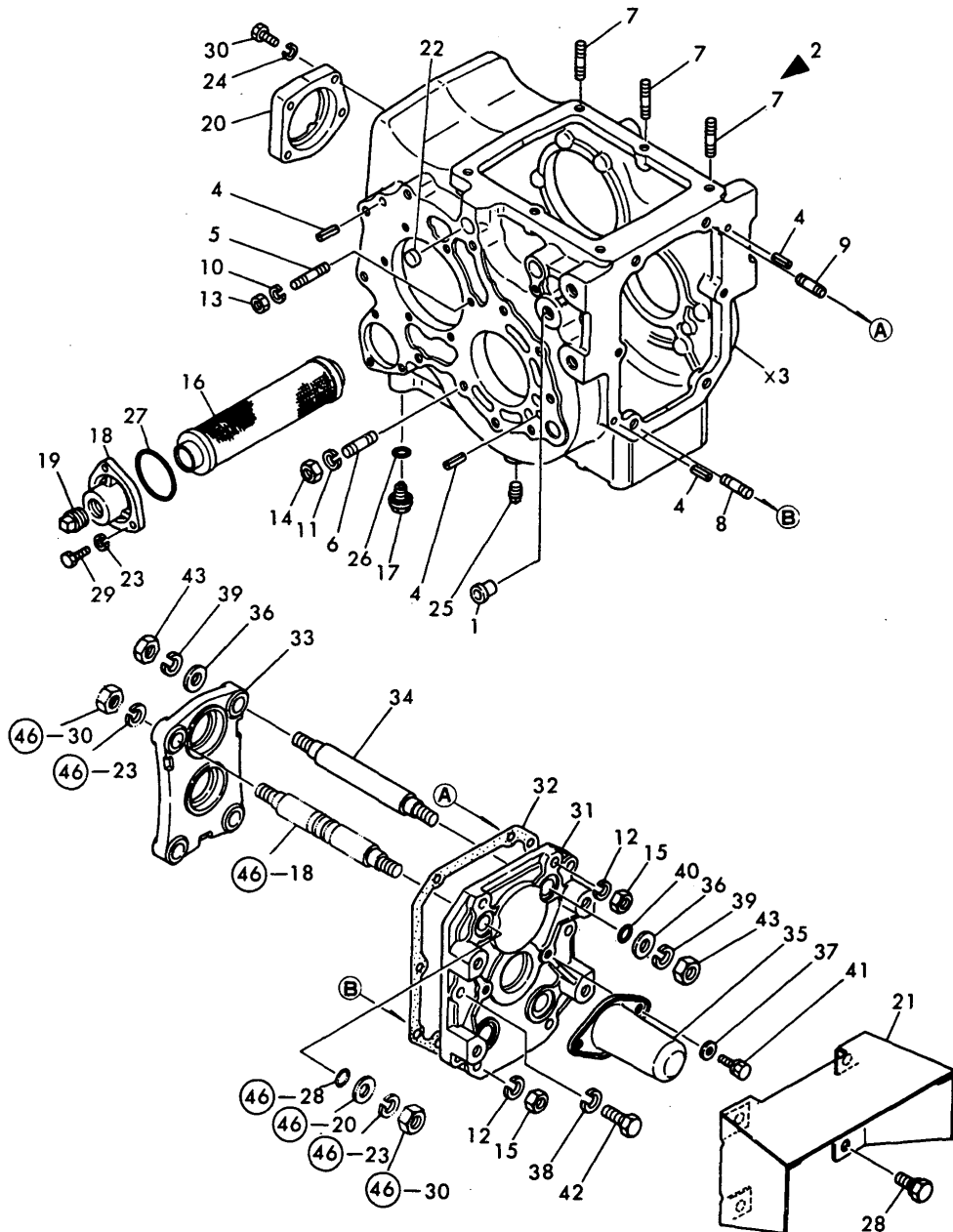
(A)=YM226
(B)=YM226D
(C)=

(D)=
(E)=
(F)=

| No. | Lev. | Parts No. | Description | Q'ty | | | | | | I | R |
|------|------|----------------|----------------------|------|-----|-----|-----|-----|-----|---|---|
| | | | | (A) | (B) | (C) | (D) | (E) | (F) | | |
| 1 | 1 | 194430-25810 | BEARING, BALL TMB207 | 2 | 2 | | | | | | |
| 2 | 1 | 194420-25860 | COLLAR 35X47X4.5 | 1 | 1 | | | | | | |
| 3 | 1 | 194432-31300 | GEAR W/COUNTERSHAFT | 1 | 1 | | | | | | |
| 3-1 | 1 | 194432-31301 | GEAR W/COUNTERSHAFT | 1 | | | | | | | N |
| | | (A=T/# 20705) | | | | | | | | | |
| 6 | 2 | 194430-31490 | BUSH, 38X41X18 | 1 | 1 | | | | | | |
| 7 | 1 | 24101-062114 | BEARING, BALL 6211 | 1 | 1 | | | | | | |
| 8 | 1 | 194321-13230 | PINION, DIFFERENTIAL | 2 | 2 | | | | | | |
| 9 | 1 | 194430-31510 | GEAR, DIFFERENTIAL | 2 | 2 | | | | | | |
| 10 | 1 | 194430-31610 | WASHER, DIFFERENTIAL | 2 | 2 | | | | | | |
| 11 | 1 | 194430-31820 | SHAFT, DIFFERENTIAL | 1 | 1 | | | | | | |
| 12 | 1 | 194430-31850 | WASHER, DIFFERENTIAL | 2 | 2 | | | | | | |
| 13 | 1 | 194430-32100 | HOUSING ASSY, DIFF. | 1 | 1 | | | | | | |
| 13-1 | 1 | 194430-32101 | HOUSING ASSY | 1 | 1 | | | | | | N |
| | | (A=T/# 20705) | (B=T/# 41804) | | | | | | | | |
| 14 | 2 | 194430-31490 | BUSH, 38X41X18 | 1 | 1 | | | | | | |
| 16 | 1 | 22351-050030 | PIN, SPRING 5.0X30 | 1 | 1 | | | | | | |
| 17 | 1 | 24101-060124 | BEARING, BALL 6012 | 1 | 1 | | | | | | |
| 18 | 1 | 26450-080652 | BOLT, M8X 65 | 6 | 6 | | | | | | |
| 19 | 1 | 194420-24340 | SEAL, OIL TC35558 | 2 | 2 | | | | | | |
| 20 | 1 | 194430-32300-X | CARRIER,DIFFERENTIAL | 1 | 1 | | | | | | |
| 21 | 1 | 194430-32310-X | CARRIER,DIFFERENTIAL | 1 | 1 | | | | | | |
| 22 | 1 | 194420-32350 | SHIM T=0.1 | 8 | 8 | | | | | | 1 |
| 23 | 1 | 194420-32360 | SHIM T=0.3 | 4 | 4 | | | | | | 1 |
| 24 | 1 | 194420-32370 | SHIM T=0.5 | 4 | 4 | | | | | | 1 |
| 25 | 1 | 22217-080000 | WASHER, SPRING 8 | 8 | 8 | | | | | | |
| 26 | 1 | 22351-035025 | PIN, SPRING 3.5X25 | 4 | 4 | | | | | | |
| 27 | 1 | 22351-060025 | PIN, SPRING 6.0X25 | 4 | 4 | | | | | | |
| 28 | 1 | 24321-001000 | O-RING, 1AG100.0 | 2 | 2 | | | | | | |
| 29 | 1 | 26116-080252 | BOLT, M8X 25 PLATED | 8 | 8 | | | | | | |
| 30 | 1 | 22242-000340 | RING, 34 | 2 | 2 | | | | | | |
| 31 | 1 | 22312-080160 | PIN, PARALLEL M8X16 | 2 | 2 | | | | | | W |
| | | (A=T/# 20705) | (B=T/# 41804) | | | | | | | | |

Fig.49. REAR AXLE HOUSING (1)

Fig. 49 REAR AXLE HOUSING (1)



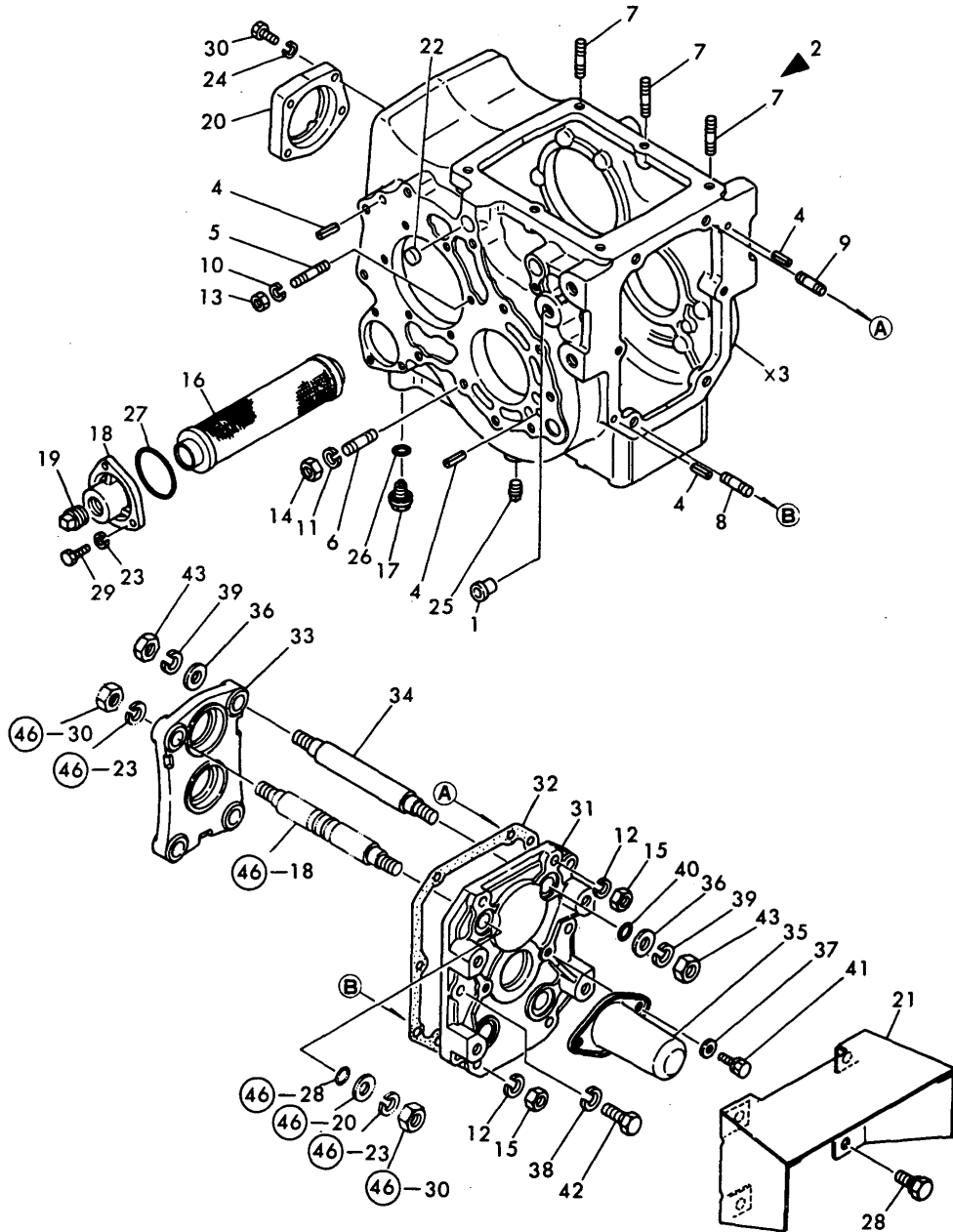
(A)=YM226
(B)=YM226D
(C)=

(D)=
(E)=
(F)=

| No. | Lev. | Parts No. | Description | Qty | | | | | | I | R |
|-----------------------------|------|----------------|----------------------|-----|-----|-----|-----|-----|-----|---|---|
| | | | | (A) | (B) | (C) | (D) | (E) | (F) | | |
| 1 | 1 | 194450-11190 | PLUG, 15.0 | 6 | 6 | | | | | | |
| 2 | 1 | 194432-24300-X | CASE ASSY, REAR AXLE | 1 | 1 | | | | | | |
| 2-1 | 1 | 194432-24301-X | CASE ASSY, REAR AXLE | 1 | 1 | | | | | | N |
| (A=T/# 20700) (B=T/# 41742) | | | | | | | | | | | |
| 4 | 2 | 22351-100020 | PIN, SPRING 10.0X20 | 6 | 6 | | | | | | |
| 5 | 2 | 26216-080182 | STUD, M8X 18 | 4 | 4 | | | | | | |
| 6 | 2 | 26216-100252 | STUD, M10X 25 | 4 | 4 | | | | | | |
| 7 | 2 | 26216-100352 | STUD, M10X 35 | 3 | 3 | | | | | | |
| 7-1 | 2 | 26216-100322 | STUD, M10X 32 | 3 | 3 | | | | | | N |
| (A=*) (B=*) | | | | | | | | | | | |
| 8 | 2 | 26216-120352 | STUD, M12X 35 | 2 | 2 | | | | | | |
| 9 | 2 | 26216-120352 | STUD, M12X 35 | 2 | 2 | | | | | | |
| 10 | 2 | 22217-080000 | WASHER, SPRING 8 | 4 | 4 | | | | | | |
| 11 | 2 | 22217-100000 | WASHER, SPRING 10 | 4 | 4 | | | | | | |
| 12 | 2 | 22217-120000 | WASHER, SPRING 12 | 4 | 4 | | | | | | |
| 13 | 2 | 26716-080002 | NUT, M8 | 4 | 4 | | | | | | |
| 14 | 2 | 26716-100002 | NUT, M10 | 4 | 4 | | | | | | |
| 15 | 2 | 26716-120002 | NUT, M12 | 4 | 4 | | | | | | |
| 16 | 1 | 194430-24930 | STRAINER, OIL | 1 | 1 | | | | | | |
| 17 | 1 | 194151-24770 | PLUG 14, OIL | 1 | 1 | | | | | | |
| 17-1 | 1 | 23491-140002 | PLUG, 14 | 1 | 1 | | | | | | N |
| (A=T/# 20734) (B=T/# 41961) | | | | | | | | | | | |
| 18 | 1 | 194197-24970-X | CAP, STRAINER | 1 | 1 | | | | | | |
| 19 | 1 | 194322-24980 | PLUG, 1-2NPT | 1 | 1 | | | | | | |
| 20 | 1 | 194430-25830-X | RETAINER, BEARING | 1 | 1 | | | | | | |
| 21 | 1 | 194197-26910-X | GUARD, P.T.O. SHAFT | 1 | 1 | | | | | | |
| 21-1 | 1 | 194197-26911-X | GUARD, P.T.O. SHAFT | 1 | 1 | | | | | | S |
| (A=*1980.) (B=*1980.) | | | | | | | | | | | |
| 22 | 1 | 194130-33190 | CAP, SEAL 20X8 | 1 | 1 | | | | | | |
| 23 | 1 | 22217-060000 | WASHER, SPRING 6 | 3 | 3 | | | | | | |
| 24 | 1 | 22217-080000 | WASHER, SPRING 8 | 4 | 4 | | | | | | |
| 25 | 1 | 23871-030000 | PLUG, R03 | 1 | 1 | | | | | | |
| 26 | 1 | 24311-000160 | O-RING, 1AP16.0 | 1 | 1 | | | | | | |
| 27 | 1 | 24341-000550 | O-RING, 1AS55.0 | 1 | 1 | | | | | | |
| 28 | 1 | 26013-120222 | BOLT, M12X 22 | 4 | 4 | | | | | | |
| 28-1 | 1 | 26013-120252 | BOLT, M12X 25 | 4 | 4 | | | | | | N |
| (A=*1982.12) (B=*1982.12) | | | | | | | | | | | |
| 29 | 1 | 26116-060202 | BOLT, M6X 20 PLATED | 3 | 3 | | | | | | |
| 30 | 1 | 26116-080302 | BOLT, M8X 30 PLATED | 4 | 4 | | | | | | |
| 31 | 1 | 194420-24350-X | COVER, TRANSMISSION | 1 | 1 | | | | | | |
| 32 | 1 | 194420-24360 | GASKET, REAR COVER | 1 | 1 | | | | | | |
| 33 | 1 | 194420-24371 | PLATE, P.T.O. | 1 | 1 | | | | | | |
| 34 | 1 | 194420-24380 | SUPPORT, P.T.O | 3 | 3 | | | | | | |
| 35 | 1 | 194190-26860-X | COVER, SHAFT | 1 | 1 | | | | | | |
| 36 | 1 | 194150-27870 | WASHER, 16X26X2 | 6 | 6 | | | | | | |
| 37 | 1 | 22137-080000 | WASHER, 8 | 2 | 2 | | | | | | Z |
| (A=T/# 20793) (B=T/# 42307) | | | | | | | | | | | |
| 38 | 1 | 22217-120000 | WASHER, SPRING 12 | 2 | 2 | | | | | | |
| 39 | 1 | 22217-160000 | WASHER, SPRING 16 | 6 | 6 | | | | | | |
| 40 | 1 | 24311-000160 | O-RING, 1AP16.0 | 3 | 3 | | | | | | |
| 41 | 1 | 26013-080122 | BOLT, M8X 12 | 2 | 2 | | | | | | |

Fig.49. REAR AXLE HOUSING (1)

Fig. 49 REAR AXLE HOUSING (1)

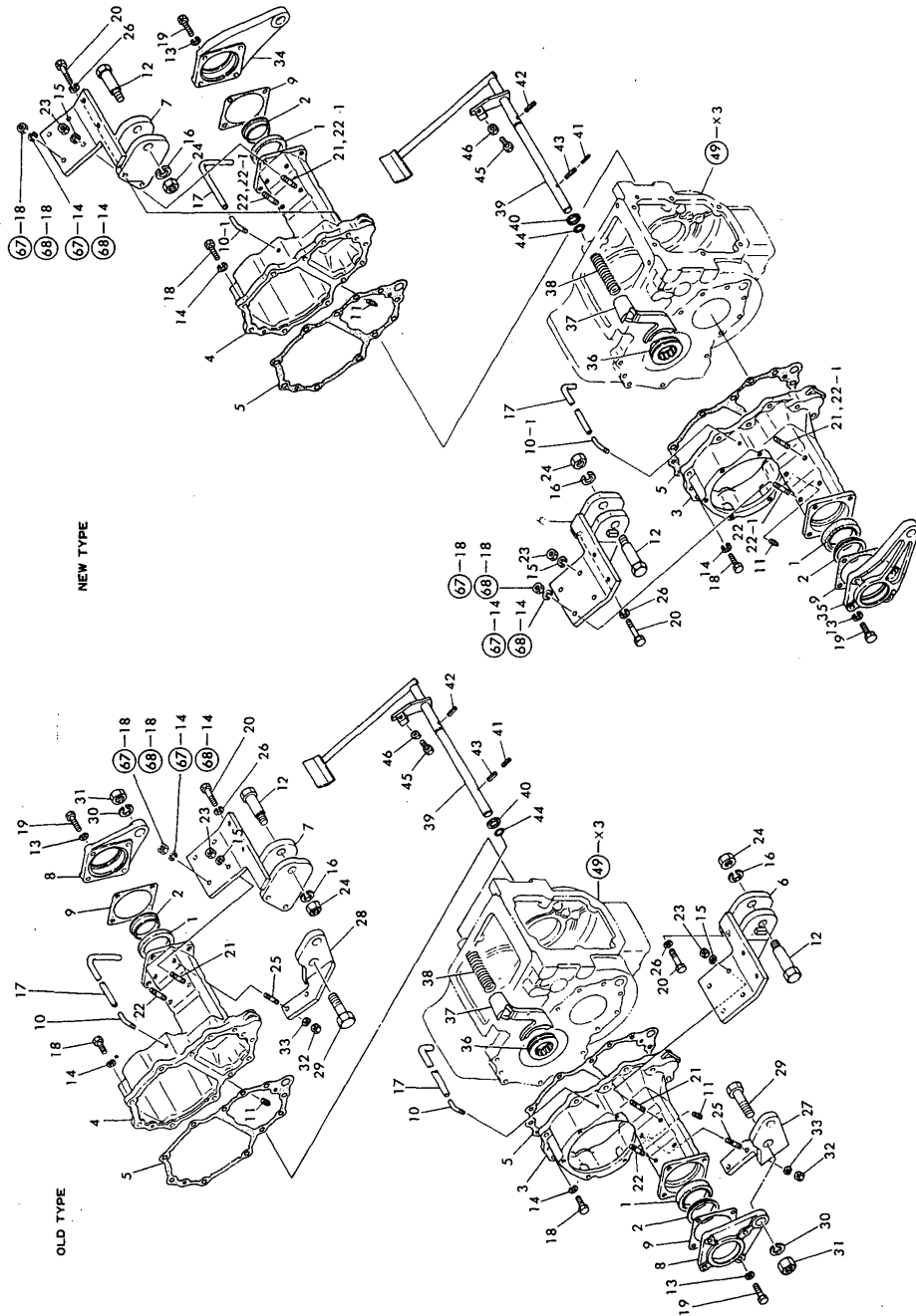


(A)=YM226
(B)=YM226D
(C)=

(D)=
(E)=
(F)=

| No. | Lev. | Parts No. | Description | Q'ty | | | | | | I | R |
|------|------|---|----------------------|------|-----|-----|-----|-----|-----|---|---|
| | | | | (A) | (B) | (C) | (D) | (E) | (F) | | |
| 41-1 | 1 | 26106-080122 (A=T/# 20793) (B=T/# 42307) | BOLT, M8X 12 PLATED | 2 | 2 | | | | | | N |
| 42 | 1 | 26116-120352 | BOLT, M12X 35 PLATED | 2 | 2 | | | | | | |
| 43 | 1 | 26736-160002 | NUT, M16 | 6 | 6 | | | | | | |

Fig.50. REAR AXLE HOUSING(2)

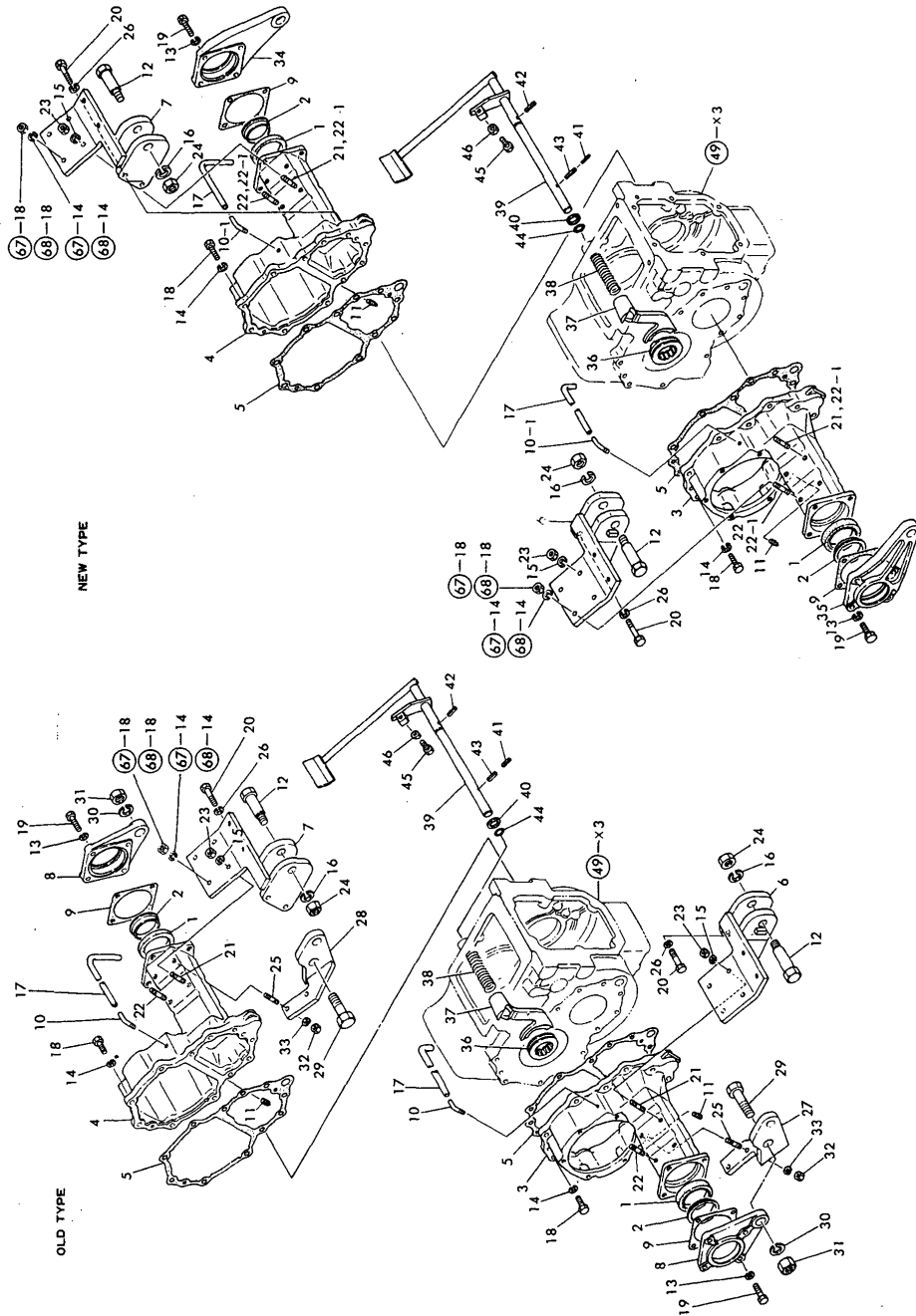


(A)=YM226
(B)=YM226D
(C)=

(D)=
(E)=
(F)=

| No. | Lev. | Parts No. | Description | Q'ty | | | | | | I | R |
|------|------|-----------------------------|----------------------|------|-----|-----|-----|-----|-----|---|---|
| | | | | (A) | (B) | (C) | (D) | (E) | (F) | | |
| 1 | 1 | 194447-14140 | SEAL, OIL TC6Y577512 | 2 | 2 | | | | | | |
| 2 | 1 | 194447-14180 | SLEEVE, SL 52X57X18 | 2 | 2 | | | | | | |
| 3 | 1 | 194432-32600-X | HOUSING, REAR AXLE | 1 | 1 | | | | | | |
| 4 | 1 | 194432-32610-X | HOUSING, REAR AXLE | 1 | 1 | | | | | | |
| 5 | 1 | 194420-32620 | GASKET, HOUSING | 2 | 2 | | | | | | |
| 6 | 1 | 194432-32820-X | BRACKET, LINK | 1 | 1 | | | | | | |
| 7 | 1 | 194432-32830-X | BRACKET, LINK | 1 | 1 | | | | | | |
| 8 | 1 | 194420-34310-X | CASE, OIL SEAL | 2 | 2 | | | | | | Z |
| | | (A=T/# 20172) (B=T/# 40230) | | | | | | | | | |
| 9 | 1 | 194420-34340 | GASKET | 2 | 2 | | | | | | |
| 10 | 1 | 194150-36651 | BREATHER, AIR | 2 | 2 | | | | | | |
| 10-1 | 1 | 194145-36651 | BREATHER, AIR | 2 | 2 | | | | | | N |
| | | (A=*1981.) (B=*1981.) | | | | | | | | | |
| 11 | 1 | 194151-36670 | PLUG, PF02 | 2 | 2 | | | | | | |
| 12 | 1 | 194275-73180 | BOLT | 2 | 2 | | | | | | |
| 13 | 1 | 22217-100000 | WASHER, SPRING 10 | 8 | 8 | | | | | | |
| 14 | 1 | 22217-100000 | WASHER, SPRING 10 | 14 | 14 | | | | | | |
| 15 | 1 | 22217-100000 | WASHER, SPRING 10 | 4 | 4 | | | | | | |
| 16 | 1 | 22217-160000 | WASHER, SPRING 16 | 2 | 2 | | | | | | |
| 17 | 1 | 23064-060500 | PIPE, 6X 500 | 2 | 2 | | | | | | Z |
| | | (A=*) (B=*) | | | | | | | | | |
| 18 | 1 | 26116-100302 | BOLT, M10X 30 PLATED | 14 | 14 | | | | | | |
| 19 | 1 | 26116-100352 | BOLT, M10X 35 PLATED | 8 | 8 | | | | | | |
| 20 | 1 | 194432-32850 | BOLT M10X 65 | 4 | 4 | | | | | | |
| 21 | 1 | 26216-100252 | STUD, M10X 25 | 4 | 4 | | | | | | Z |
| | | (A=T/# 20722) (B=T/# 41898) | | | | | | | | | |
| 22 | 1 | 26216-100302 | STUD, M10X 30 | 4 | 4 | | | | | | |
| 22-1 | 1 | 26216-100302 | STUD, M10X 30 | 8 | 8 | | | | | | K |
| | | (A=T/# 20722) (B=T/# 41898) | | | | | | | | | |
| 23 | 1 | 26716-100002 | NUT, M10 | 4 | 4 | | | | | | |
| 24 | 1 | 26716-160002 | NUT, M16 | 2 | 2 | | | | | | |
| 25 | 1 | 26216-100252 | STUD, M10X 25 | 4 | 4 | | | | | | Z |
| | | (A=T/# 20172) (B=T/# 40230) | | | | | | | | | |
| 26 | 1 | 194274-13570 | WASHER, SPRING 10 | 4 | 4 | | | | | | |
| 27 | 1 | 194432-74810-X | BRACKET (L), R. AXLE | 1 | 1 | | | | | | Z |
| | | (A=T/# 20172) (B=T/# 40230) | | | | | | | | | |
| 28 | 1 | 194432-74830-X | BRACKET (R), R. AXLE | 1 | 1 | | | | | | Z |
| | | (A=T/# 20172) (B=T/# 40230) | | | | | | | | | |
| 29 | 1 | 26116-220602 | BOLT, M22X 60 PLATED | 2 | 2 | | | | | | Z |
| | | (A=T/# 20172) (B=T/# 40230) | | | | | | | | | |
| 30 | 1 | 22217-220000 | WASHER, SPRING 22 | 2 | 2 | | | | | | Z |
| | | (A=T/# 20172) (B=T/# 40230) | | | | | | | | | |
| 31 | 1 | 26716-220002 | NUT, M22 | 2 | 2 | | | | | | Z |
| | | (A=T/# 20172) (B=T/# 40230) | | | | | | | | | |
| 32 | 1 | 26716-100002 | NUT, M10 | 4 | 4 | | | | | | Z |
| | | (A=T/# 20172) (B=T/# 40230) | | | | | | | | | |
| 33 | 1 | 22217-100000 | WASHER, SPRING 10 | 4 | 4 | | | | | | Z |
| | | (A=T/# 20172) (B=T/# 40230) | | | | | | | | | |
| 34 | 1 | 194432-34320-X | CASE, OIL SEAL | 1 | 1 | | | | | | W |
| | | (A=T/# 20172) (B=T/# 40230) | | | | | | | | | |
| 35 | 1 | 194432-34310-X | CASE, OIL SEAL | 1 | 1 | | | | | | W |

Fig.50. REAR AXLE HOUSING(2)



(A)=YM226
(B)=YM226D
(C)=

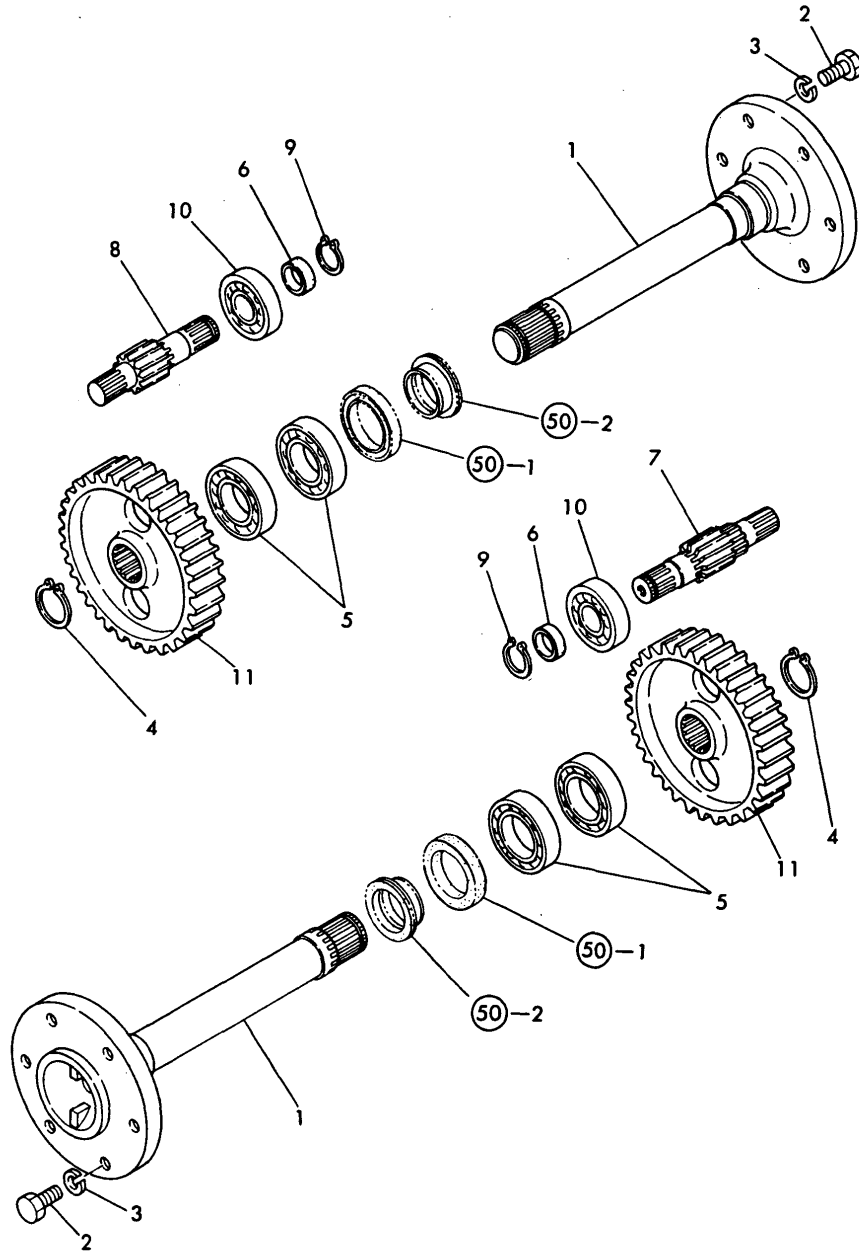
(D)=
(E)=
(F)=

| No. | Lev. | Parts No. | Description | Qty | | | | | | I | R | |
|-----|------|----------------|----------------------|-----|-----|-----|-----|-----|-----|---|---|--|
| | | | | (A) | (B) | (C) | (D) | (E) | (F) | | | |
| | | (A=T/# 20172) | (B=T/# 40230) | | | | | | | | | |
| 36 | 1 | 194361-33100 | SLIDER, DIFFERENTIAL | 1 | 1 | | | | | | | |
| 37 | 1 | 194430-33140 | FORK, SHIFT | 1 | 1 | | | | | | | |
| 38 | 1 | 194150-33150 | SPRING, RETURN | 1 | 1 | | | | | | | |
| 39 | 1 | 194432-33160-X | PEDAL, DIFF. LOCK | 1 | 1 | | | | | | | |
| 40 | 1 | 194300-33200 | SPACER, 20X32X3.2 | 1 | 1 | | | | | | | |
| 41 | 1 | 22351-050040 | PIN, SPRING 5.0X40 | 1 | 1 | | | | | | | |
| 42 | 1 | 22351-080032 | PIN, SPRING 8.0X32 | 1 | 1 | | | | | | | |
| 43 | 1 | 22351-080040 | PIN, SPRING 8.0X40 | 1 | 1 | | | | | | | |
| 44 | 1 | 24311-000160 | O-RING, 1AP16.0 | 1 | 1 | | | | | | | |
| 45 | 1 | 26116-100352 | BOLT, M10X 35 PLATED | 1 | 1 | | | | | | | |
| 46 | 1 | 26756-100002 | NUT, LOCK M10 | 1 | 1 | | | | | | | |

Fig. 50 REAR AXLE HOUSING (2)

Fig.51. REAR AXLE SHAFT

Fig. 51 REAR AXLE SHAFT



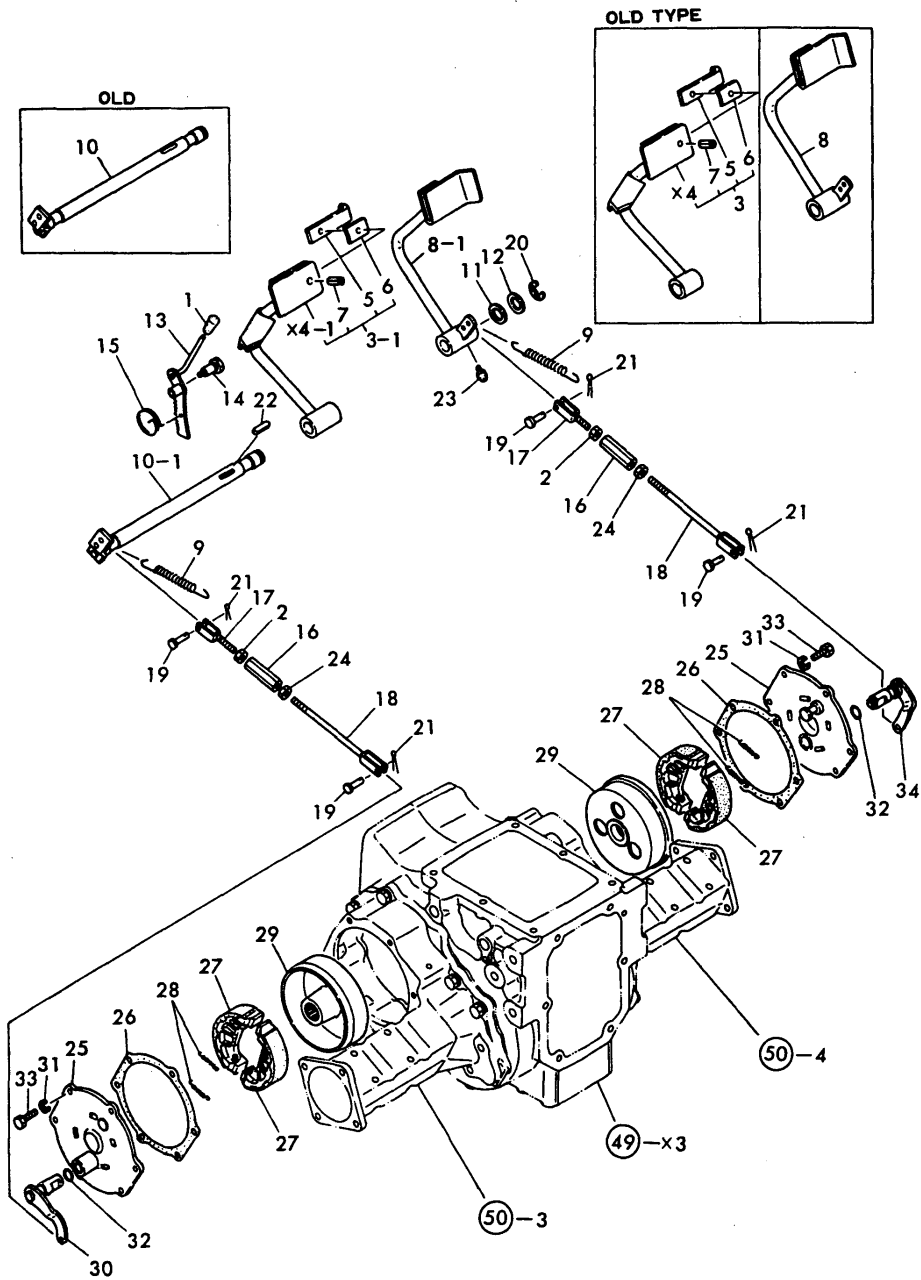
(A)=YM226
(B)=YM226D
(C)=

(D)=
(E)=
(F)=

| No. | Lev. | Parts No. | Description | Q'ty | | | | | | I | R |
|------|------|-----------------------------|----------------------|------|-----|-----|-----|-----|-----|---|---|
| | | | | (A) | (B) | (C) | (D) | (E) | (F) | | |
| 1 | 1 | 194361-34100-X | SHAFT, REAR AXLE | 2 | 2 | | | | | | |
| 2 | 1 | 194322-34180 | BOLT M16X 30 | 12 | 12 | | | | | | |
| 3 | 1 | 194280-34170 | WASHER, 16 | 12 | 12 | | | | | | |
| 3-1 | 1 | 194065-34170 | WASHER, 16 | 12 | 12 | | | | | | N |
| | | (A=T/# 20734) (B=T/# 41961) | | | | | | | | | |
| 4 | 1 | 22242-000450 | RING, 45 | 2 | 2 | | | | | | |
| 5 | 1 | 24101-062094 | BEARING, BALL 6209 | 4 | 4 | | | | | | |
| 6 | 1 | 194420-26650 | SLEEVE 30X35X13 | 2 | 2 | | | | | | |
| 7 | 1 | 194430-33400 | PINION, FINAL | 1 | 1 | | | | | | |
| 8 | 1 | 194430-33410 | PINION, FINAL | 1 | 1 | | | | | | |
| 9 | 1 | 22242-000290 | RING, 29 | 2 | 2 | | | | | | |
| 10 | 1 | 24104-063064 | BEARING, BALL 6306UU | 2 | 2 | | | | | | |
| 10-1 | 1 | 24101-063064 | BEARING, BALL 6306 | 2 | 2 | | | | | | N |
| | | (A=T/# 20210) (B=T/# 40462) | | | | | | | | | |
| 11 | 1 | 194430-33500 | GEAR, FINAL | 2 | 2 | | | | | | |

Fig.52. BRAKES

Fig. 52 BRAKES



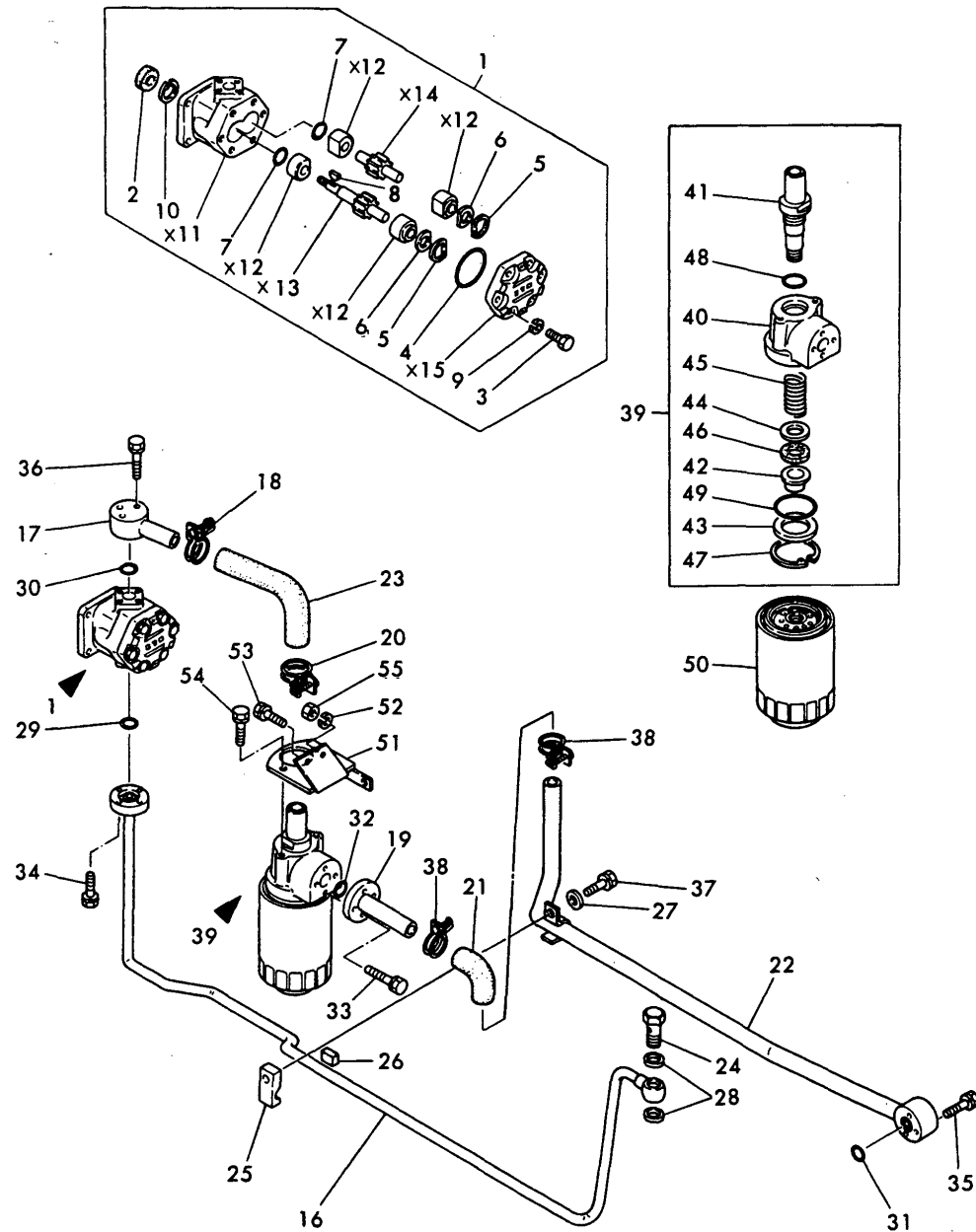
(A)=YM226
(B)=YM226D
(C)=

(D)=
(E)=
(F)=

| No. | Lev. | Parts No. | Description | Q'ty | | | | | | I | R |
|------|------|---|----------------------|------|-----|-----|-----|-----|-----|---|-----|
| | | | | (A) | (B) | (C) | (D) | (E) | (F) | | |
| 1 | 1 | 194150-01190 | KNOB, LEVER | 1 | 1 | | | | | | |
| 2 | 1 | 194150-22480 | NUT, M10 L | 2 | 2 | | | | | | |
| 3 | 1 | 194432-37420-X | PEDAL, BRAKE | 1 | 1 | | | | | | |
| 3-1 | 1 | 194432-37421-X (A=T/# 20198) (B=T/# 40341) | PEDAL ASSY, BRAKE(L) | 1 | 1 | | | | | | S |
| 5 | 2 | 194432-37540-R | CONNECTOR | 1 | 1 | | | | | | |
| 6 | 2 | 194150-37530 | SPACER | 1 | 1 | | | | | | |
| 7 | 2 | 22351-080018 | PIN, SPRING 8.0X18 | 1 | 1 | | | | | | |
| 8 | 1 | 194432-37470-X | PEDAL, BRAKE | 1 | 1 | | | | | | |
| 8-1 | 1 | 194432-37471-X (A=T/# 20198) (B=T/# 40341) | PEDAL ASSY, BRAKE(R) | 1 | 1 | | | | | | S |
| 9 | 1 | 194420-37510 | SPRING, RETURN | 2 | 2 | | | | | | |
| 10 | 1 | 194420-37550-X | SHAFT, BRAKE PEDAL | 1 | 1 | | | | | | |
| 10-1 | 1 | 194361-37550-X (A=T/# 20198) (B=T/# 40341) | SHAFT, BRAKE PEDAL | 1 | 1 | | | | | | S |
| 11 | 1 | 194130-37560 | WASHER | 1 | 1 | | | | | | |
| 12 | 1 | 194150-37570 | WASHER, 25X38X1.2 | 1 | 1 | | | | | | |
| 13 | 1 | 194170-37660-X | LEVER, BRAKE LOCK | 1 | 1 | | | | | | |
| 14 | 1 | 194420-37670 | PIN, ROCK LEVER | 1 | 1 | | | | | | |
| 14-1 | 1 | 194432-37670 (A=T/# 20788) (B=T/# 42244) | COLLAR | 1 | 1 | | | | | | S 1 |
| 15 | 1 | 194110-37691 | SPRING | 1 | 1 | | | | | | |
| 16 | 1 | 194151-37730 | TURNBUCKLE M10X90 | 2 | 2 | | | | | | |
| 17 | 1 | 194130-37740 | ROD, BRAKE L | 2 | 2 | | | | | | |
| 18 | 1 | 194420-37770 | ROD, BRAKE R | 2 | 2 | | | | | | |
| 19 | 1 | 194080-37781 | PIN, 8X25 | 4 | 4 | | | | | | |
| 20 | 1 | 22272-000190 | RING, E-19 | 1 | 1 | | | | | | |
| 21 | 1 | 22417-200300 | PIN, COTTER 2.0X30 | 4 | 4 | | | | | | |
| 22 | 1 | 22512-070400 | KEY, 7X 40 | 1 | 1 | | | | | | |
| 23 | 1 | 24761-010000 | NIPPLE, GREASE M6F | 1 | 1 | | | | | | |
| 24 | 1 | 26716-100002 | NUT, M10 | 2 | 2 | | | | | | |
| 25 | 1 | 194420-36300-X | COVER, BRAKE | 2 | 2 | | | | | | |
| 26 | 1 | 194420-36320 | GASKET, BRAKE COVER | 2 | 2 | | | | | | |
| 27 | 1 | 194420-36510 | SHOE, BRAKE | 4 | 4 | | | | | | |
| 28 | 1 | 194150-36550 | SPRING, SHOE | 4 | 4 | | | | | | |
| 29 | 1 | 194420-36570 | DRUM, BRAKE | 2 | 2 | | | | | | |
| 30 | 1 | 194312-36710-X | CAMSHAFT, BRAKE L | 1 | 1 | | | | | | |
| 31 | 1 | 22217-080000 | WASHER, SPRING 8 | 12 | 12 | | | | | | |
| 32 | 1 | 24341-000200 | O-RING, 1AS20.0 | 2 | 2 | | | | | | |
| 33 | 1 | 26116-080252 | BOLT, M8X 25 PLATED | 12 | 12 | | | | | | |
| 34 | 1 | 194312-36720-X | CAMSHAFT, BRAKE R | 1 | 1 | | | | | | |
| 35 | 1 | 22217-100000 | WASHER, SPRING 10 | 1 | 1 | | | | | | W |
| 35-1 | 1 | 22217-100000 (A=T/# 20793) (B=T/# 42307) | WASHER, SPRING 10 | 1 | 1 | | | | | | Z |
| 36 | 1 | 26116-100802 | BOLT, M10X 80 PLATED | 1 | 1 | | | | | | W |
| 36-1 | 1 | 26106-100802 (A=T/# 20788) (B=T/# 42244) | BOLT, M10X 80 PLATED | 1 | 1 | | | | | | N 1 |
| | | | | | | | | | | | |

Fig.53. HYDRAULIC PIPES

Fig. 53 HYDRAULIC PIPES



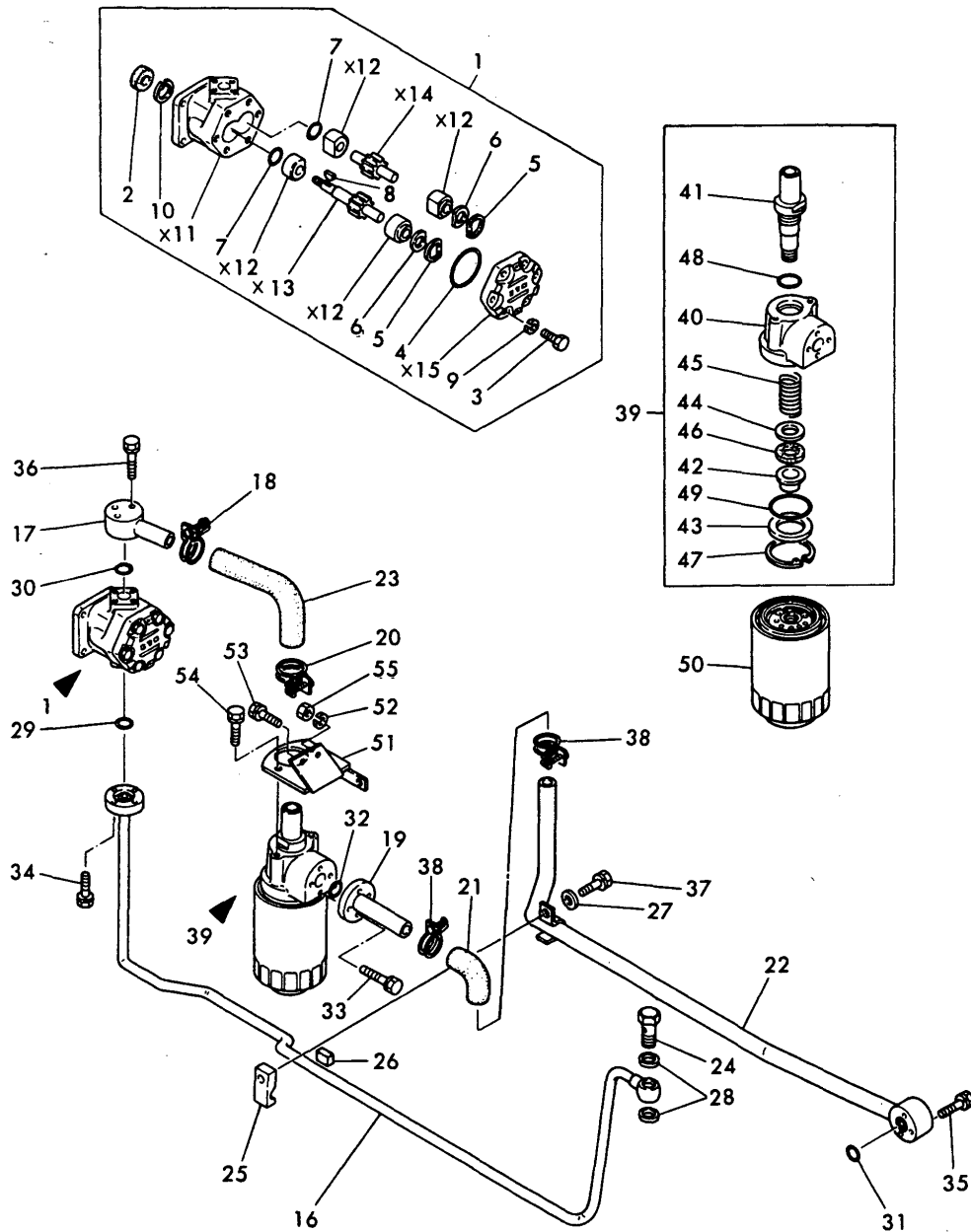
(A)=YM226
(B)=YM226D
(C)=

(D)=
(E)=
(F)=

| No. | Lev. | Parts No. | Description | Q'ty | | | | | | I | R |
|------|------|-----------------------------|----------------------|------|-----|-----|-----|-----|-----|---|---|
| | | | | (A) | (B) | (C) | (D) | (E) | (F) | | |
| 1 | 1 | 194432-41120-X | PUMP ASSY, HYDRAULIC | 1 | 1 | | | | | | |
| 1-1 | 1 | 194361-41120-X | PUMP ASSY, HYDRAULIC | 1 | 1 | | | | | | N |
| | | (A=T/# 20768) (B=T/# 42059) | | | | | | | | | |
| 2 | 2 | 194432-41150 | SEAL, OIL | 1 | 1 | | | | | | |
| 2-1 | 2 | 24421-142507 | SEAL, OIL TC142507 | 1 | 1 | | | | | | N |
| | | (A=T/# 20686) (B=T/# 41496) | | | | | | | | | |
| 3 | 2 | 26126-080252 | BOLT M 8X 25 PLATED | 6 | 6 | | | | | | |
| 3-1 | 2 | 26116-080252 | BOLT, M8X 25 PLATED | 6 | 6 | | | | | | N |
| | | (A=*) (B=*) | | | | | | | | | |
| 3-2 | 2 | 26450-080252 | BOLT, M8X 25 | 6 | 6 | | | | | | N |
| | | (A=T/# 20768) (B=T/# 42059) | | | | | | | | | |
| 4 | 2 | 194200-41170 | O-RING | 1 | 1 | | | | | | |
| 4-1 | 2 | 24341-000480 | O-RING, 1AS48.0 | 1 | 1 | | | | | | N |
| | | (A=T/# 20768) (B=T/# 42059) | | | | | | | | | |
| 5 | 2 | 194200-41180 | SEAL RING | 2 | 2 | | | | | | Z |
| | | (A=T/# 20768) (B=T/# 42059) | | | | | | | | | |
| 6 | 2 | 194200-41190 | RING, SUPPORT | 2 | 2 | | | | | | Z |
| | | (A=T/# 20768) (B=T/# 42059) | | | | | | | | | |
| 7 | 2 | 194200-41200 | O-RING | 2 | 2 | | | | | | |
| 7-1 | 2 | 24315-000200 | O-RING, 1BP20.0 | 4 | 4 | | | | | | N |
| | | (A=T/# 20768) (B=T/# 42059) | | | | | | | | | |
| 8 | 2 | 194432-41210 | KEY, WOODRUFF | 1 | 1 | | | | | | |
| 8-1 | 2 | 22522-030130 | KEY, WOODRUFF 3X13 | 1 | 1 | | | | | | N |
| | | (A=T/# 20768) (B=T/# 42059) | | | | | | | | | |
| 9 | 2 | 22217-080000 | WASHER, SPRING 8 | 6 | 6 | | | | | | |
| 10 | 2 | 22252-000280 | RING, 28 | 1 | 1 | | | | | | Z |
| | | (A=T/# 20768) (B=T/# 42059) | | | | | | | | | |
| 15C | 2 | 24341-000100 | O-RING, 1AS10.0 | 1 | 1 | | | | | | W |
| | | (A=T/# 20768) (B=T/# 42059) | | | | | | | | | |
| 16 | 1 | 194432-48110-X | PIPE, HIGH-PRESSURE | 1 | 1 | | | | | | |
| 17 | 1 | 194440-48210-X | PIPE, LOW PRESSURE | 1 | 1 | | | | | | |
| 18 | 1 | 194464-48210 | CLAMP 32 | 1 | 1 | | | | | | |
| 19 | 1 | 194432-48220-X | PIPE, LOW PRESSURE | 1 | 1 | | | | | | |
| 20 | 1 | 194464-48220 | CLAMP 37 | 1 | 1 | | | | | | |
| 21 | 1 | 194440-48230 | HOSE, LOW PRESURE | 1 | 1 | | | | | | |
| 22 | 1 | 194432-48240-X | PIPE, LOW PRESSURE | 1 | 1 | | | | | | |
| 23 | 1 | 194432-48250-X | RUBBER PIPE | 1 | 1 | | | | | | |
| 23-1 | 1 | 194446-48230-X | HOSE, PRESSURE A | 1 | 1 | | | | | | N |
| | | (A=*1982.12) (B=*1982.12) | | | | | | | | | |
| 24 | 1 | 194130-48650 | BOLT, JOINT M12 | 1 | 1 | | | | | | |
| 24-1 | 1 | 198220-48750 | BOLT ASSY, JOINT | 1 | 1 | | | | | | N |
| | | (A=T/# 20793) (B=T/# 42272) | | | | | | | | | |
| 25 | 1 | 194440-48830 | BASE, PIPE CLAMP | 1 | 1 | | | | | | |
| 26 | 1 | 194440-48840 | RUBBER | 1 | 1 | | | | | | |
| 27 | 1 | 22137-080000 | WASHER, 8 | 1 | 1 | | | | | | Z |
| | | (A=T/# 20793) (B=T/# 42307) | | | | | | | | | |
| 28 | 1 | 23414-180023 | GASKET, 18X1.0 | 2 | 2 | | | | | | |
| 29 | 1 | 24311-000200 | O-RING, 1AP20.0 | 1 | 1 | | | | | | |
| 30 | 1 | 24311-000200 | O-RING, 1AP20.0 | 1 | 1 | | | | | | |
| 31 | 1 | 24311-000200 | O-RING, 1AP20.0 | 1 | 1 | | | | | | |
| 32 | 1 | 24311-000220 | O-RING, 1AP22.0 | 1 | 1 | | | | | | |

Fig.53. HYDRAULIC PIPES

Fig. 53 HYDRAULIC PIPES



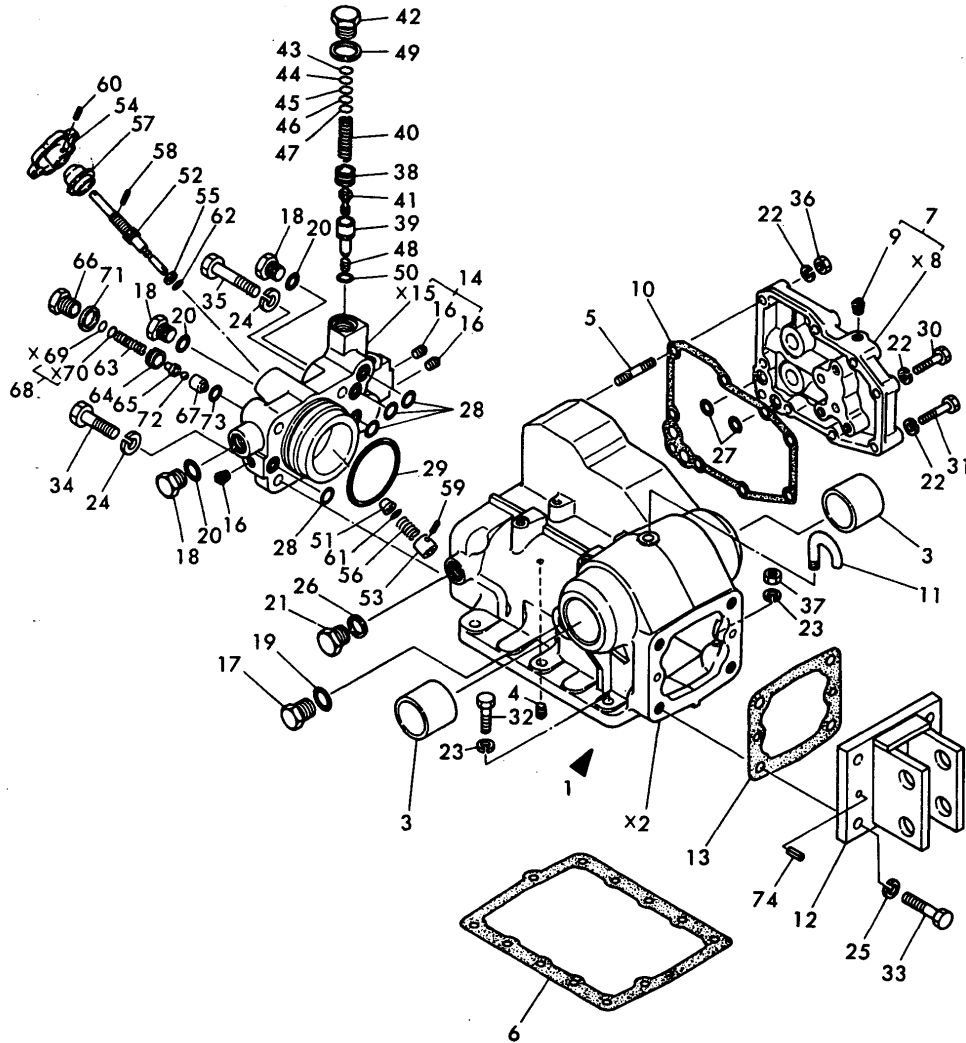
(A)=YM226
(B)=YM226D
(C)=

(D)=
(E)=
(F)=

| No. | Lev. | Parts No. | Description | Qty | | | | | | I | R |
|------|------|-----------------------------|---------------------|-----|-----|-----|-----|-----|-----|---|---|
| | | | | (A) | (B) | (C) | (D) | (E) | (F) | | |
| 33 | 1 | 26013-060252 | BOLT, M6X 25 | 4 | 4 | | | | | | |
| 33-1 | 1 | 26106-060252 | BOLT, M6X 25 PLATED | 4 | 4 | | | | | | N |
| | | (A=T/# 20793) (B=T/# 42290) | | | | | | | | | |
| 34 | 1 | 26013-060252 | BOLT, M6X 25 | 4 | 4 | | | | | | |
| 34-1 | 1 | 26106-060252 | BOLT, M6X 25 PLATED | 4 | 4 | | | | | | N |
| | | (A=T/# 20793) (B=T/# 42290) | | | | | | | | | |
| 35 | 1 | 26013-060402 | BOLT, M6X 40 | 3 | 3 | | | | | | |
| 35-1 | 1 | 26106-060402 | BOLT, M6X 40 PLATED | 3 | 3 | | | | | | N |
| | | (A=T/# 20793) (B=T/# 42290) | | | | | | | | | |
| 36 | 1 | 26013-060402 | BOLT, M6X 40 | 3 | 3 | | | | | | |
| 36-1 | 1 | 26106-060402 | BOLT, M6X 40 PLATED | 3 | 3 | | | | | | N |
| | | (A=T/# 20793) (B=T/# 42290) | | | | | | | | | |
| 37 | 1 | 26013-080352 | BOLT, M8X 35 | 1 | 1 | | | | | | |
| 37-1 | 1 | 26106-080352 | BOLT, M8X 35 PLATED | 1 | 1 | | | | | | N |
| | | (A=T/# 20793) (B=T/# 42307) | | | | | | | | | |
| 38 | 1 | 194151-48710 | CLAMP | 2 | 2 | | | | | | |
| 39 | 1 | 194464-48300-X | COVER ASSY, FILTER | 1 | 1 | | | | | | |
| 40 | 2 | 194464-48322 | COVER, FILTER | 1 | 1 | | | | | | |
| 41 | 2 | 194464-48331 | BOLT, FILTER | 1 | 1 | | | | | | |
| 42 | 2 | 194464-48341 | COLLAR, SEAL | 1 | 1 | | | | | | |
| 43 | 2 | 194464-48351 | SPACER 56 | 1 | 1 | | | | | | |
| 44 | 2 | 194464-48361 | WASHER 21.5X35X1.6 | 1 | 1 | | | | | | |
| 45 | 2 | 194464-48370 | SPRING, FILTER | 1 | 1 | | | | | | |
| 46 | 2 | 194464-48390 | GASKET | 1 | 1 | | | | | | |
| 47 | 2 | 22252-000600 | RING, 60 | 1 | 1 | | | | | | |
| 48 | 2 | 24311-000280 | O-RING, 1AP28.0 | 1 | 1 | | | | | | |
| 49 | 2 | 24341-000560 | O-RING, 1AS56.0 | 1 | 1 | | | | | | Z |
| | | (A=*) (B=*) | | | | | | | | | |
| 50 | 1 | 194464-48310-M | FILTER, HYDRAULIC | 1 | 1 | | | | | | |
| 51 | 1 | 194432-48380-X | BRACKET, STRAINER | 1 | 1 | | | | | | |
| 52 | 1 | 22217-080000 | WASHER, SPRING 8 | 1 | 1 | | | | | | |
| 53 | 1 | 26013-080162 | BOLT, M8X 16 | 1 | 1 | | | | | | |
| 53-1 | 1 | 26106-080162 | BOLT, M8X 16 PLATED | 1 | 1 | | | | | | N |
| | | (A=T/# 20793) (B=T/# 42307) | | | | | | | | | |
| 54 | 1 | 26013-080222 | BOLT, M8X 22 | 2 | 2 | | | | | | |
| 54-1 | 1 | 26013-080202 | BOLT, M8X 20 | 2 | 2 | | | | | | N |
| | | (A=*1982.12) (B=*1982.12) | | | | | | | | | |
| 54-2 | 1 | 26106-080202 | BOLT, M8X 20 PLATED | 2 | 2 | | | | | | N |
| | | (A=T/# 20793) (B=T/# 42307) | | | | | | | | | |
| 55 | 1 | 26716-080002 | NUT, M8 | 1 | 1 | | | | | | |

Fig.54. HYDRAULIC CYLINDER

Fig. 54 HYDRAULIC CYLINDER



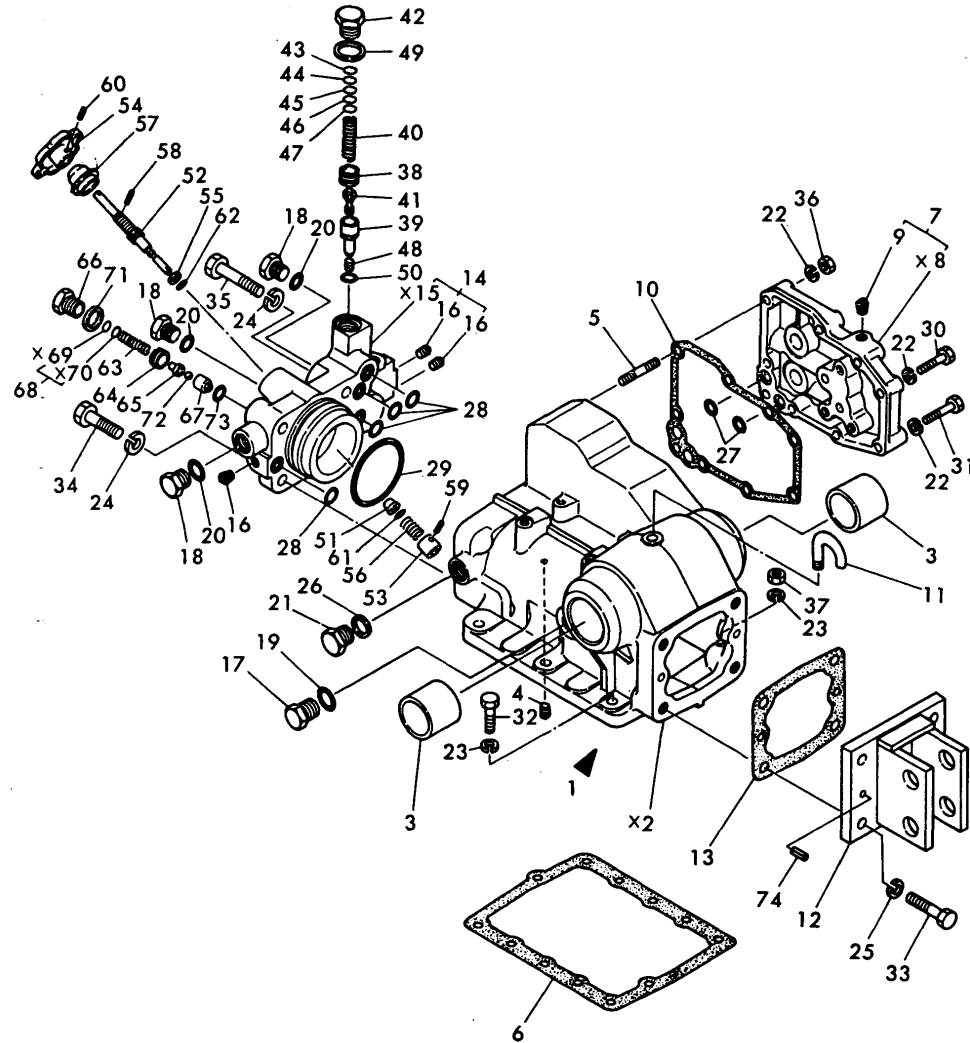
(A)=YM226
(B)=YM226D
(C)=

(D)=
(E)=
(F)=

| No. | Lev. | Parts No. | Description | Q'ty | | | | | | I | R |
|------|------|-----------------------------|----------------------|------|-----|-----|-----|-----|-----|---|---|
| | | | | (A) | (B) | (C) | (D) | (E) | (F) | | |
| 1 | 1 | 194432-42100-X | HOUSING, HYDRAULIC | 1 | 1 | | | | | | |
| 3 | 2 | 194150-42130 | BUSH, 50X55X40 | 2 | 2 | | | | | | |
| 4 | 2 | 23871-010000 | PLUG, R01 | 1 | 1 | | | | | | |
| 5 | 2 | 26216-080452 | STUD, M8X 45 | 4 | 4 | | | | | | |
| 6 | 1 | 194312-42150 | GASKET, HOUSING | 1 | 1 | | | | | | |
| 7 | 1 | 194170-42200-X | CASE, CYLINDER | 1 | 1 | | | | | | |
| 9 | 2 | 23871-010000 | PLUG, R01 | 4 | 4 | | | | | | |
| 10 | 1 | 194170-42220 | GASKET, SIDE CASE | 1 | 1 | | | | | | |
| 11 | 1 | 194150-42280 | BREATHER, AIR | 1 | 1 | | | | | | |
| 12 | 1 | 194281-42810-X | HINGE, TOP LINK | 1 | 1 | | | | | | |
| 13 | 1 | 194151-42831 | GASKET, HINGE | 1 | 1 | | | | | | |
| 14 | 1 | 194170-43200-X | HEAD ASSY, CYLINDER | 1 | 1 | | | | | | |
| 16 | 2 | 23871-010000 | PLUG, R01 | 3 | 3 | | | | | | |
| 17 | 1 | 194464-45920 | PLUG, 3/4-16UNF | 1 | 1 | | | | | | |
| 18 | 1 | 194464-45920 | PLUG, 3/4-16UNF | 3 | 3 | | | | | | |
| 19 | 1 | 194464-45930 | O-RING, 8-1 | 1 | 1 | | | | | | |
| 20 | 1 | 194464-45930 | O-RING, 8-1 | 3 | 3 | | | | | | |
| 21 | 1 | 194130-46750 | PLUG | 1 | 1 | | | | | | |
| 22 | 1 | 22217-080000 | WASHER, SPRING 8 | 9 | 9 | | | | | | |
| 23 | 1 | 22217-100000 | WASHER, SPRING 10 | 6 | 6 | | | | | | |
| 24 | 1 | 22217-140000 | WASHER, SPRING 14 | 4 | 4 | | | | | | |
| 25 | 1 | 22217-140000 | WASHER, SPRING 14 | 4 | 4 | | | | | | |
| 26 | 1 | 23414-180023 | GASKET, 18X1.0 | 1 | 1 | | | | | | |
| 27 | 1 | 24315-000110 | O-RING, 1BP11.0 | 2 | 2 | | | | | | |
| 28 | 1 | 24315-000140 | O-RING, 1BP14.0 | 4 | 4 | | | | | | |
| 29 | 1 | 24325-000750 | O-RING, 1BG75.0 | 1 | 1 | | | | | | |
| 30 | 1 | 26116-080352 | BOLT, M8X 35 PLATED | 1 | 1 | | | | | | |
| 31 | 1 | 26116-080452 | BOLT, M8X 45 PLATED | 4 | 4 | | | | | | |
| 32 | 1 | 26116-100352 | BOLT, M10X 35 PLATED | 3 | 3 | | | | | | |
| 33 | 1 | 26126-140352 | BOLT M14X 35 PLATED | 4 | 4 | | | | | | |
| 33-1 | 1 | 26116-140352 | BOLT, M14X 35 PLATED | 4 | 4 | | | | | | N |
| | | (A=T/# 20585) (B=T/# 41065) | | | | | | | | | |
| 34 | 1 | 26126-140452 | BOLT M14X 45 PLATED | 2 | 2 | | | | | | |
| 34-1 | 1 | 26116-140452 | BOLT, M14X 45 PLATED | 2 | 2 | | | | | | N |
| | | (A=T/# 20585) (B=T/# 41065) | | | | | | | | | |
| 35 | 1 | 26126-140652 | BOLT M14X 65 PLATED | 2 | 2 | | | | | | |
| 35-1 | 1 | 26116-140652 | BOLT, M14X 65 PLATED | 2 | 2 | | | | | | N |
| | | (A=T/# 20585) (B=T/# 41065) | | | | | | | | | |
| 36 | 1 | 26716-080002 | NUT, M8 | 4 | 4 | | | | | | |
| 37 | 1 | 26716-100002 | NUT, M10 | 3 | 3 | | | | | | |
| 38 | 1 | 194275-45340 | SCREW, VALVE SEAT | 1 | 1 | | | | | | |
| 39 | 1 | 194170-45600 | SEAT, RELIEF VALVE | 1 | 1 | | | | | | |
| 40 | 1 | 194170-45610 | SPRING, RELIEF VALVE | 1 | 1 | | | | | | |
| 41 | 1 | 194170-45620 | HOLDER, VALVE | 1 | 1 | | | | | | |
| 42 | 1 | 194170-45630 | PLUG | 1 | 1 | | | | | | |
| 43 | 1 | 194170-45700 | SHIM, T=0.1 | 1 | 1 | | | | | | 1 |
| 44 | 1 | 194170-45710 | SHIM, T=0.2 | 1 | 1 | | | | | | 1 |
| 45 | 1 | 194170-45720 | SHIM, T=0.3 | 1 | 1 | | | | | | 1 |
| 46 | 1 | 194170-45730 | SHIM, T=0.5 | 1 | 1 | | | | | | 1 |
| 47 | 1 | 194170-45740 | SHIM, T=1.0 | 1 | 1 | | | | | | 1 |
| 48 | 1 | 1E6191-54330 | SCREW 7X8 | 1 | 1 | | | | | | Z |

Fig.54. HYDRAULIC CYLINDER

Fig. 54 HYDRAULIC CYLINDER



(A)=YM226
(B)=YM226D
(C)=

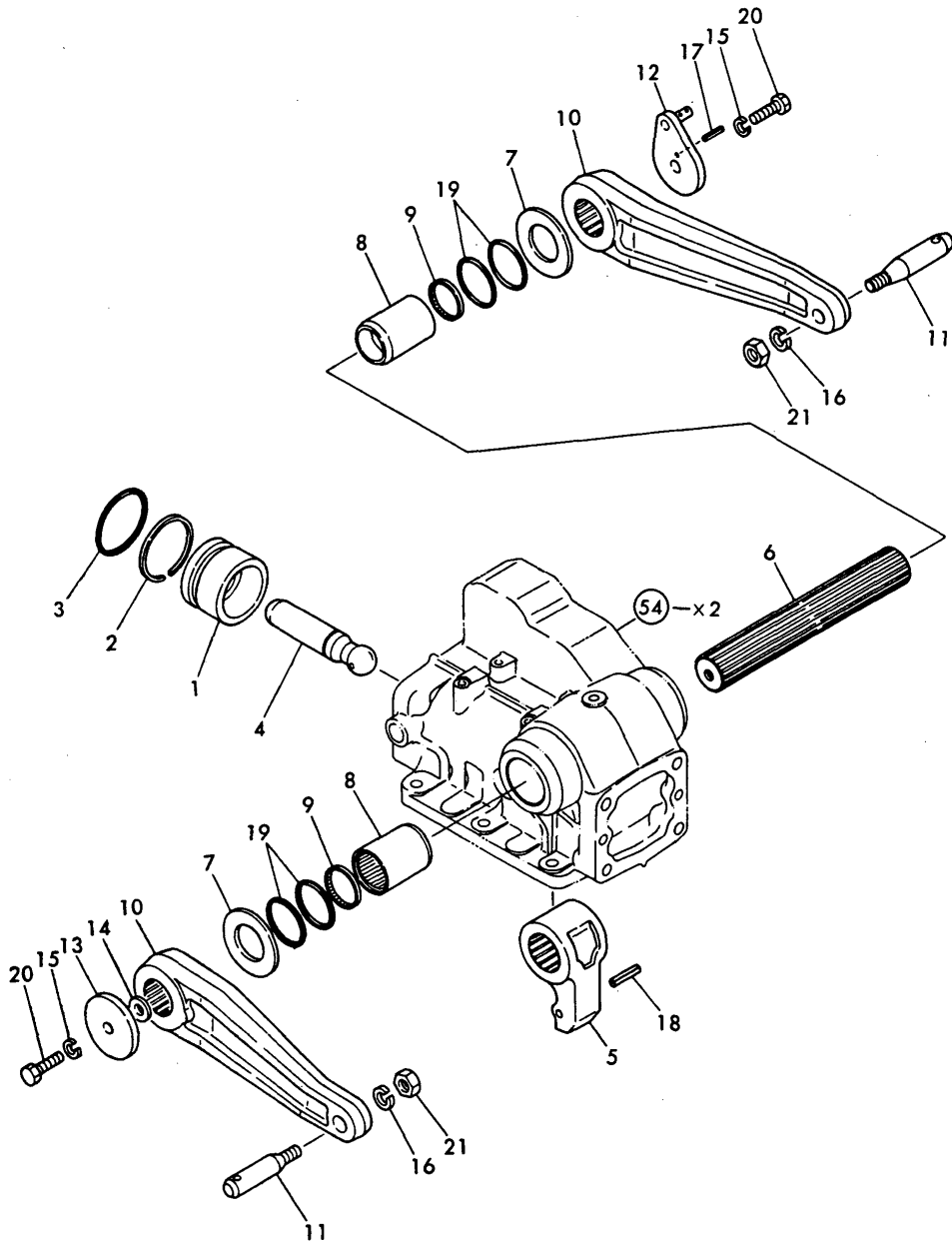
(D)=
(E)=
(F)=

| No. | Lev. | Parts No. | Description | Q'ty | | | | | | I | R |
|------|------|-----------------------|----------------------|------|-----|-----|-----|-----|-----|---|---|
| | | | | (A) | (B) | (C) | (D) | (E) | (F) | | |
| | | (A=*) (B=*) | | | | | | | | | |
| 49 | 1 | 23414-200026 | GASKET, 20X1.0 | 1 | 1 | | | | | | |
| 50 | 1 | 24311-000120 | O-RING, 1AP12.0 | 1 | 1 | | | | | | |
| 51 | 1 | 194170-46300 | VALVE, STOP | 1 | 1 | | | | | | |
| 52 | 1 | 194170-46620 | BOLT, STOP | 1 | 1 | | | | | | |
| 53 | 1 | 194170-46630 | HOLDER | 1 | 1 | | | | | | |
| 54 | 1 | 194151-46640-X | KNOB | 1 | 1 | | | | | | |
| 55 | 1 | 194170-46650 | RING, BACK-UP | 1 | 1 | | | | | | |
| 55-1 | 1 | 194170-46651 | RING, BACK UP | 1 | 1 | | | | | | N |
| | | (A=*1981.) (B=*1981.) | | | | | | | | | |
| 56 | 1 | 194170-46660 | SPRING | 1 | 1 | | | | | | |
| 57 | 1 | 194170-46670 | CAP | 1 | 1 | | | | | | |
| 58 | 1 | 22351-040016 | PIN, SPRING 4.0X16 | 1 | 1 | | | | | | |
| 59 | 1 | 22351-040016 | PIN, SPRING 4.0X16 | 1 | 1 | | | | | | |
| 60 | 1 | 22351-040022 | PIN, SPRING 4.0X22 | 1 | 1 | | | | | | |
| 61 | 1 | 24311-000060 | O-RING, 1AP6.0 | 1 | 1 | | | | | | |
| 62 | 1 | 24311-000090 | O-RING, 1AP9.0 | 1 | 1 | | | | | | |
| 63 | 1 | 194150-45320 | SPRING, RELIEF VALVE | 1 | 1 | | | | | | |
| 64 | 1 | 194150-45340 | SCREW, VALVE | 1 | 1 | | | | | | |
| 65 | 1 | 194150-45361 | HOLDER, VALVE | 1 | 1 | | | | | | |
| 66 | 1 | 194151-45370 | PLUG, RELIEF VALVE | 1 | 1 | | | | | | |
| 67 | 1 | 194151-46261 | SEAT, RELIEF VALVE | 1 | 1 | | | | | | |
| 68 | 1 | 110250-53150 | PLATE ASSY, ADJUST | 1 | 1 | | | | | | |
| 71 | 1 | 23414-200026 | GASKET, 20X1.0 | 1 | 1 | | | | | | |
| 72 | 1 | 24190-080003 | BALL, STEEL 1/4 | 1 | 1 | | | | | | |
| 73 | 1 | 24311-000120 | O-RING, 1AP12.0 | 1 | 1 | | | | | | |
| 74 | 1 | 22351-100020 | PIN, SPRING 10.0X20 | 2 | 2 | | | | | | Z |

(A=*) (B=*)

Fig.55. HYDRAULIC LIFT

Fig. 55 HYDRAULIC LIFT



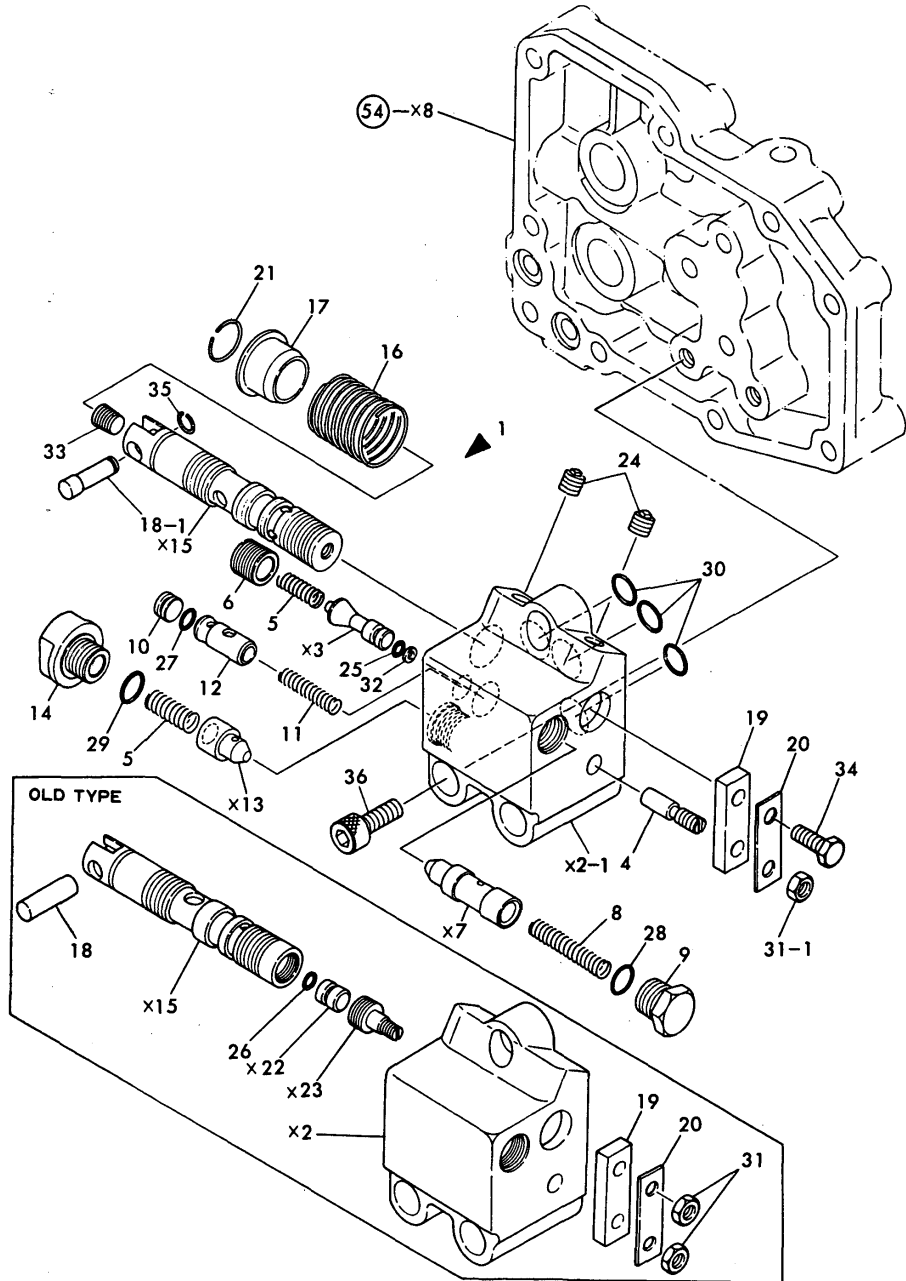
(A)=YM226
(B)=YM226D
(C)=

(D)=
(E)=
(F)=

| No. | Lev. | Parts No. | Description | Q'ty | | | | | | I | R |
|------|------|-----------------------------|----------------------|------|-----|-----|-----|-----|-----|---|---|
| | | | | (A) | (B) | (C) | (D) | (E) | (F) | | |
| 1 | 1 | 194310-43310 | PISTON, HYDRAULIC | 1 | 1 | | | | | | |
| 2 | 1 | 194130-43350 | RING, BACK UP P65 | 1 | 1 | | | | | | |
| 3 | 1 | 24311-000650 | O-RING, 1AP65.0 | 1 | 1 | | | | | | |
| 4 | 1 | 194310-43410 | ROD, PISTON | 1 | 1 | | | | | | |
| 5 | 1 | 194151-44111 | CRANK, LIFT | 1 | 1 | | | | | | |
| 6 | 1 | 194150-44211 | SHAFT, LIFT | 1 | 1 | | | | | | |
| 7 | 1 | 194282-44230 | WASHER, 40X73X3.2 | 2 | 2 | | | | | | |
| 8 | 1 | 194282-44250 | SLEEVE, LIFT SHAFT | 2 | 2 | | | | | | |
| 9 | 1 | 194150-44261 | SEAL, SPLINE SHAFT | 2 | 2 | | | | | | |
| 10 | 1 | 194310-44420-X | ARM, LIFT | 2 | 2 | | | | | | |
| 10-1 | 1 | 194361-44420-X | ARM,LIFT | 2 | 2 | | | | | | N |
| | | (A=T/# 20771) (B=T/# 42090) | | | | | | | | | |
| 11 | 1 | 194130-44480 | PIN, LIFT ARM | 2 | 2 | | | | | | |
| 12 | 1 | 194432-44510 | ARM, FEED BACK | 1 | 1 | | | | | | |
| 13 | 1 | 194282-44530-X | WASHER 12.5X60X10 | 1 | 1 | | | | | | |
| 14 | 1 | 22127-140000 | WASHER, 14 | 1 | 1 | | | | | | |
| 14-1 | 1 | 22127-160000 | WASHER, 16 | 1 | 1 | | | | | | S |
| | | (A=*) (B=*) | | | | | | | | | |
| 14-2 | 1 | 22137-160000 | WASHER, 16 | 1 | 1 | | | | | | N |
| | | (A=*) (B=*) | | | | | | | | | |
| 15 | 1 | 22217-120000 | WASHER, SPRING 12 | 2 | 2 | | | | | | |
| 16 | 1 | 22217-160000 | WASHER, SPRING 16 | 2 | 2 | | | | | | |
| 17 | 1 | 22351-040022 | PIN, SPRING 4.0X22 | 1 | 1 | | | | | | |
| 18 | 1 | 22351-050056 | PIN, SPRING 5.0X56 | 1 | 1 | | | | | | |
| 19 | 1 | 24321-000500 | O-RING, 1AG50.0 | 4 | 4 | | | | | | |
| 20 | 1 | 26116-120322 | BOLT, M12X 32 PLATED | 2 | 2 | | | | | | |
| 21 | 1 | 26736-160002 | NUT, M16 | 2 | 2 | | | | | | |

Fig.56. HYDRAULIC CONTROL VALVE

Fig. 56 HYDRAULIC CONTROL VALVE



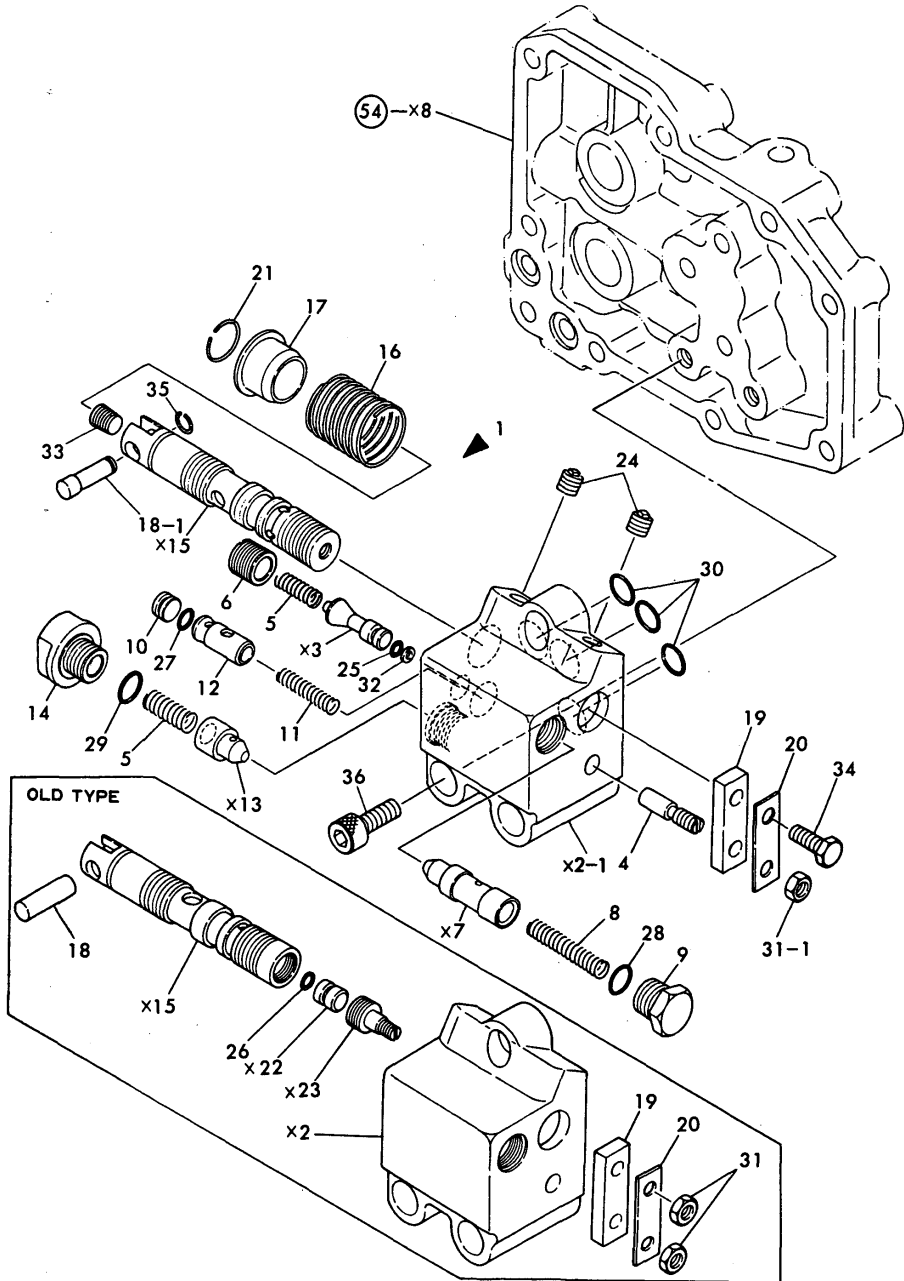
(A)=YM226
(B)=YM226D
(C)=

(D)=
(E)=
(F)=

| No. | Lev. | Parts No. | Description | Q'ty | | | | | | I | R |
|------|------|-----------------------------|---------------------|------|-----|-----|-----|-----|-----|---|---|
| | | | | (A) | (B) | (C) | (D) | (E) | (F) | | |
| 1 | 1 | 194170-45100-X | VALVE ASSY, CONTROL | 1 | 1 | | | | | | |
| 1-1 | 1 | 194170-45101-X | VALVE ASSY, CONTROL | 1 | 1 | | | | | | N |
| | | (A=T/# 20774) (B=T/# 42152) | | | | | | | | | |
| 1A | 2 | 194170-45120 | BODY ASSY, VALVE | 1 | 1 | | | | | | W |
| | | (A=T/# 20774) (B=T/# 42152) | | | | | | | | | |
| 3D | 3 | 194170-45500 | SPOOL ASSY | 1 | 1 | | | | | | W |
| | | (A=T/# 20774) (B=T/# 42152) | | | | | | | | | |
| 3G | 4 | 194170-45410 | PLUG | 1 | 1 | | | | | | W |
| | | (A=T/# 20774) (B=T/# 42152) | | | | | | | | | |
| 3G-1 | 4 | 194170-45410 | PLUG | 1 | 1 | | | | | | Z |
| | | (A=T/# 20793) (B=T/# 42287) | | | | | | | | | |
| 3H | 3 | 23871-010000 | PLUG, R01 | 2 | 2 | | | | | | W |
| | | (A=T/# 20774) (B=T/# 42152) | | | | | | | | | |
| 4 | 2 | 194170-45220 | BAR, PUSH | 1 | 1 | | | | | | |
| 5 | 2 | 194170-45230 | SPRING | 2 | 2 | | | | | | |
| 6 | 2 | 194170-45250 | HOLDER, M.CHECK | 1 | 1 | | | | | | |
| 6-1 | 2 | 198421-45440 | HOLDER | 1 | 1 | | | | | | S |
| | | (A=T/# 20774) (B=T/# 42152) | | | | | | | | | |
| 8 | 2 | 194170-45320 | SPRING | 1 | 1 | | | | | | |
| 8-1 | 2 | 194170-45321 | SPRING | 1 | 1 | | | | | | N |
| | | (A=T/# 20615) (B=T/# 41206) | | | | | | | | | |
| 9 | 2 | 194170-45330 | PLUG | 1 | 1 | | | | | | |
| 10 | 2 | 194170-45350 | SPOOL | 1 | 1 | | | | | | |
| 11 | 2 | 194170-45360 | SPRING | 1 | 1 | | | | | | |
| 12 | 2 | 194170-45370 | PLUG | 1 | 1 | | | | | | |
| 14 | 2 | 194170-45440 | PLUG | 1 | 1 | | | | | | |
| 16 | 2 | 194170-45520 | SPRING, SPOOL | 1 | 1 | | | | | | |
| 17 | 2 | 194170-45530 | STOPPER, SPOOL | 1 | 1 | | | | | | |
| 18 | 2 | 194170-45540 | PIN, SPOOL | 1 | 1 | | | | | | |
| 18-1 | 2 | 194170-45541 | PIN, SPOOL | 1 | 1 | | | | | | S |
| | | (A=T/# 20258) (B=T/# 40560) | | | | | | | | | |
| 18-2 | 2 | 194170-45541 | PIN, SPOOL | 1 | 1 | | | | | | Z |
| | | (A=T/# 20774) (B=T/# 42152) | | | | | | | | | |
| 19 | 2 | 194170-45550 | BAR, SPOOL | 1 | 1 | | | | | | |
| 20 | 2 | 194170-45560 | WASHER, 12X40X0.6 | 1 | 1 | | | | | | |
| 21 | 2 | 194170-45570 | CIRCLIP | 1 | 1 | | | | | | Z |
| | | (A=T/# 20793) (B=T/# 42287) | | | | | | | | | |
| 24 | 2 | 23871-010000 | PLUG, R01 | 2 | 2 | | | | | | Z |
| | | (A=T/# 20774) (B=T/# 42152) | | | | | | | | | |
| 25 | 2 | 24311-000050 | O-RING, 1AP5.0 | 1 | 1 | | | | | | |
| 26 | 2 | 24311-000050 | O-RING, 1AP5.0 | 1 | 1 | | | | | | Z |
| | | (A=T/# 20258) (B=T/# 40560) | | | | | | | | | |
| 27 | 2 | 24311-000070 | O-RING, 1AP7.0 | 1 | 1 | | | | | | |
| 27-1 | 2 | 24315-000070 | O-RING, 1BP7.0 | 1 | 1 | | | | | | N |
| | | (A=*) (B=*) | | | | | | | | | |
| 28 | 2 | 24311-000120 | O-RING, 1AP12.0 | 1 | 1 | | | | | | |
| 29 | 2 | 24311-000120 | O-RING, 1AP12.0 | 1 | 1 | | | | | | |
| 30 | 2 | 24315-000110 | O-RING, 1BP11.0 | 3 | 3 | | | | | | |
| 31 | 2 | 26756-060002 | NUT, LOCK M6 | 2 | 2 | | | | | | |
| 31-1 | 2 | 26756-060002 | NUT, LOCK M6 | 1 | 1 | | | | | | K |
| | | (A=T/# 20258) (B=T/# 40560) | | | | | | | | | |

Fig.56. HYDRAULIC CONTROL VALVE

Fig. 56 HYDRAULIC CONTROL VALVE



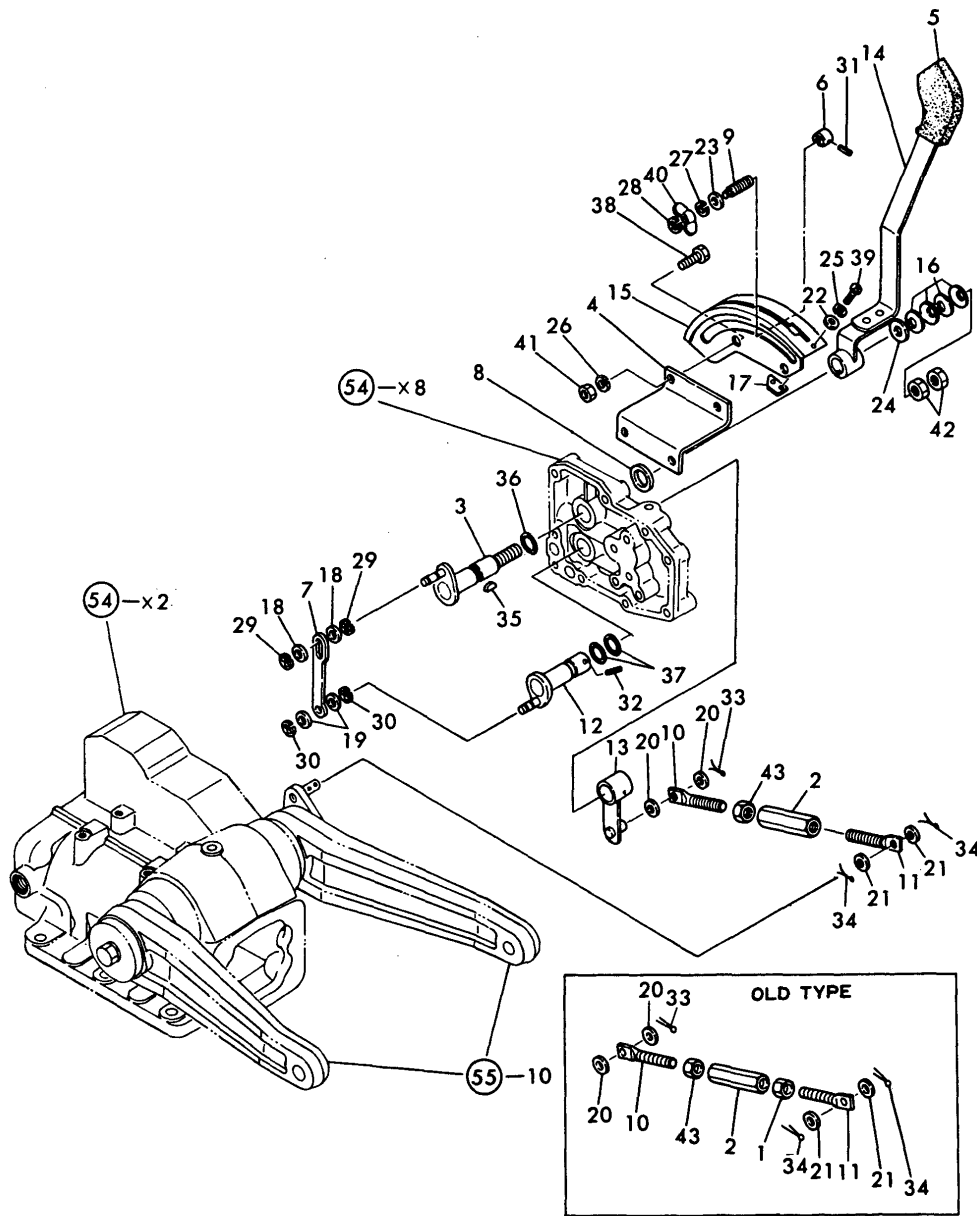
(A)=YM226
(B)=YM226D
(C)=

(D)=
(E)=
(F)=

| No. | Lev. | Parts No. | Description | Q'ty | | | | | | I | R |
|------|------|---|---------------------|------|-----|-----|-----|-----|-----|---|---|
| | | | | (A) | (B) | (C) | (D) | (E) | (F) | | |
| 32 | 2 | 194170-45430 (A=T/# 20258) (B=T/# 40560) | RING, BACK UP | 1 | 1 | | | | | | W |
| 33 | 2 | 194170-45410 | PLUG | 1 | 1 | | | | | | W |
| 33-1 | 2 | 194170-45410 (A=T/# 20774) (B=T/# 42152) | PLUG | 1 | 1 | | | | | | Z |
| 34 | 2 | 26116-060142 (A=T/# 20258) (B=T/# 40560) | BOLT, M6X 14 PLATED | 1 | 1 | | | | | | W |
| 34-1 | 2 | 26116-060162 (A=*1982.12) (B=*1982.12) | BOLT, M6X 16 PLATED | 1 | 1 | | | | | | N |
| 35 | 2 | 177088-06160 (A=T/# 20258) (B=T/# 40560) | CIRCLIP | 1 | 1 | | | | | | W |
| 35-1 | 2 | 177088-06160 (A=T/# 20793) (B=T/# 42287) | CIRCLIP | 1 | 1 | | | | | | Z |
| 35A | 2 | 24311-000100 (A=T/# 20774) (B=T/# 42152) | O-RING, 1AP10.0 | 1 | 1 | | | | | | W |
| 35B | 2 | 24311-000140 (A=T/# 20774) (B=T/# 42152) | O-RING, 1AP14.0 | 1 | 1 | | | | | | W |
| 36 | 1 | 26450-080202 | BOLT, M8X 20 | 3 | 3 | | | | | | |

Fig.57. OIL PRESSURE CONTROL

Fig. 57 OIL PRESSURE CONTROL



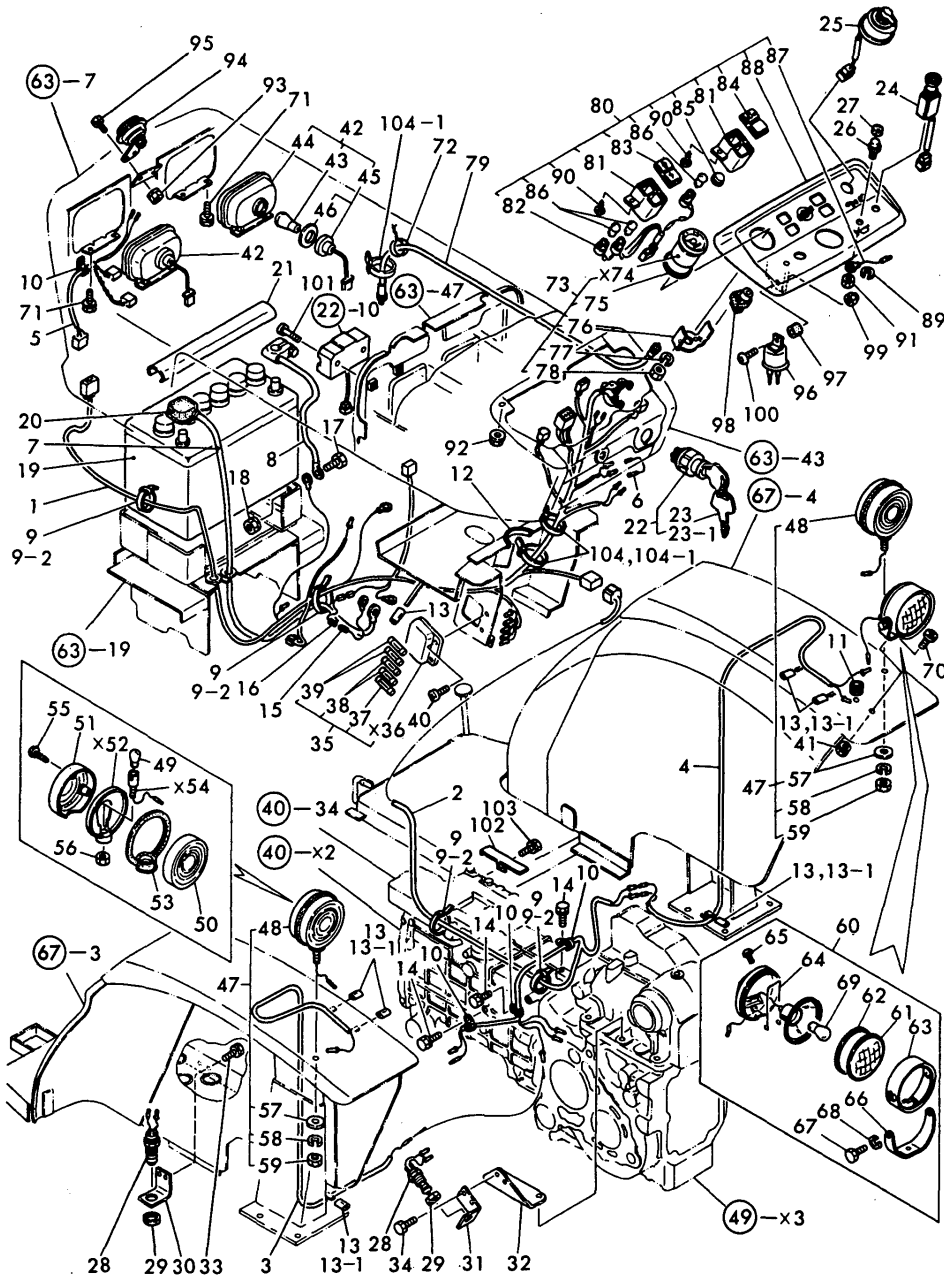
(A)=YM226
(B)=YM226D
(C)=

(D)=
(E)=
(F)=

| No. | Lev. | Parts No. | Description | Q'ty | | | | | | I | R |
|------|------|---|----------------------|------|-----|-----|-----|-----|-----|---|---|
| | | | | (A) | (B) | (C) | (D) | (E) | (F) | | |
| 1 | 1 | 194150-22480 (A=T/# 20267) (B=T/# 40585) | NUT, M10 L | 1 | 1 | | | | | | Z |
| 2 | 1 | 194130-37730 | TURNBUCKLE M10X70 | 1 | 1 | | | | | | |
| 3 | 1 | 194432-47120 | SHAFT, CONTROL LEVER | 1 | 1 | | | | | | |
| 3-1 | 1 | 194432-47121 (A=T/# 20258) (B=T/# 40560) | SHAFT, CONTROL LEVER | 1 | 1 | | | | | | N |
| 4 | 1 | 194170-47310-X | BRACKET, LEVER GUIDE | 1 | 1 | | | | | | |
| 5 | 1 | 194420-47370 | KNOB, LEVER | 1 | 1 | | | | | | |
| 6 | 1 | 194432-47390 | STOPPER | 1 | 1 | | | | | | |
| 7 | 1 | 194170-47420 | BAR, CONTROL | 1 | 1 | | | | | | |
| 8 | 1 | 194170-47440 | PLATE, FRICTION | 1 | 1 | | | | | | |
| 9 | 1 | 194464-47440 | BOLT, STOPPER | 1 | 1 | | | | | | |
| 10 | 1 | 194180-47490-X | ROD (A) | 1 | 1 | | | | | | |
| 11 | 1 | 194180-47500-X | ROD, FEED BACK | 1 | 1 | | | | | | |
| 12 | 1 | 194432-47530-X | SHAFT, FEED BACK | 1 | 1 | | | | | | |
| 13 | 1 | 194432-47540-X | LEVER, FEED BACK | 1 | 1 | | | | | | |
| 14 | 1 | 194432-47610-X | LEVER, CONTROL | 1 | 1 | | | | | | |
| 15 | 1 | 194432-47710-X | GUIDE, CONTROL LEVER | 1 | 1 | | | | | | |
| 16 | 1 | 194151-47760 | WASHER, 12 | 4 | 4 | | | | | | |
| 17 | 1 | 194310-47870 | STOPPER, B | 1 | 1 | | | | | | |
| 18 | 1 | 22117-080000 | WASHER, 8 | 2 | 2 | | | | | | |
| 19 | 1 | 22117-080000 | WASHER, 8 | 2 | 2 | | | | | | |
| 20 | 1 | 22117-100000 | WASHER, 10 | 2 | 2 | | | | | | |
| 21 | 1 | 22117-100000 | WASHER, 10 | 2 | 2 | | | | | | |
| 22 | 1 | 22137-050000 | WASHER, 5 | 2 | 2 | | | | | | |
| 23 | 1 | 22137-080000 | WASHER, 8 | 1 | 1 | | | | | | |
| 24 | 1 | 22137-120000 | WASHER, 12 | 1 | 1 | | | | | | |
| 25 | 1 | 22217-050000 | WASHER, SPRING 5 | 2 | 2 | | | | | | |
| 26 | 1 | 22217-080000 | WASHER, SPRING 8 | 2 | 2 | | | | | | |
| 27 | 1 | 22217-080000 | WASHER, SPRING 8 | 1 | 1 | | | | | | |
| 28 | 1 | 22272-000040 | RING, E- 4 | 1 | 1 | | | | | | |
| 29 | 1 | 22272-000060 | RING, E- 6 | 2 | 2 | | | | | | |
| 30 | 1 | 22272-000060 | RING, E- 6 | 2 | 2 | | | | | | |
| 31 | 1 | 22351-040014 | PIN, SPRING 4.0X14 | 1 | 1 | | | | | | |
| 32 | 1 | 22351-050028 | PIN, SPRING 5.0X28 | 1 | 1 | | | | | | |
| 33 | 1 | 22417-300200 | PIN, COTTER 3.0X20 | 1 | 1 | | | | | | |
| 34 | 1 | 22417-300200 | PIN, COTTER 3.0X20 | 2 | 2 | | | | | | |
| 35 | 1 | 22522-030130 | KEY, WOODRUFF 3X13 | 1 | 1 | | | | | | |
| 36 | 1 | 24311-000150 | O-RING, 1AP15.0 | 1 | 1 | | | | | | |
| 37 | 1 | 24311-000150 | O-RING, 1AP15.0 | 2 | 2 | | | | | | |
| 38 | 1 | 26116-080182 | BOLT, M8X 18 PLATED | 2 | 2 | | | | | | |
| 38-1 | 1 | 26116-080162 | BOLT, M8X 16 PLATED | 2 | 2 | | | | | | N |
| 39 | 1 | 26587-050102 (A=*1982.12) (B=*1982.12) | SCREW, M5X10 | 2 | 2 | | | | | | |
| 40 | 1 | 26635-080002 | NUT, WING M8 | 1 | 1 | | | | | | |
| 41 | 1 | 26716-080002 | NUT, M8 | 2 | 2 | | | | | | |
| 42 | 1 | 26716-120002 | NUT, M12 | 2 | 2 | | | | | | |
| 43 | 1 | 26756-100002 | NUT, LOCK M10 | 1 | 1 | | | | | | |

Fig.58. ELECTRIC PARTS (U.S.A.)

Fig. 58 ELECTRIC PARTS (U.S.A.)



(A)=YM226
(B)=YM226D
(C)=

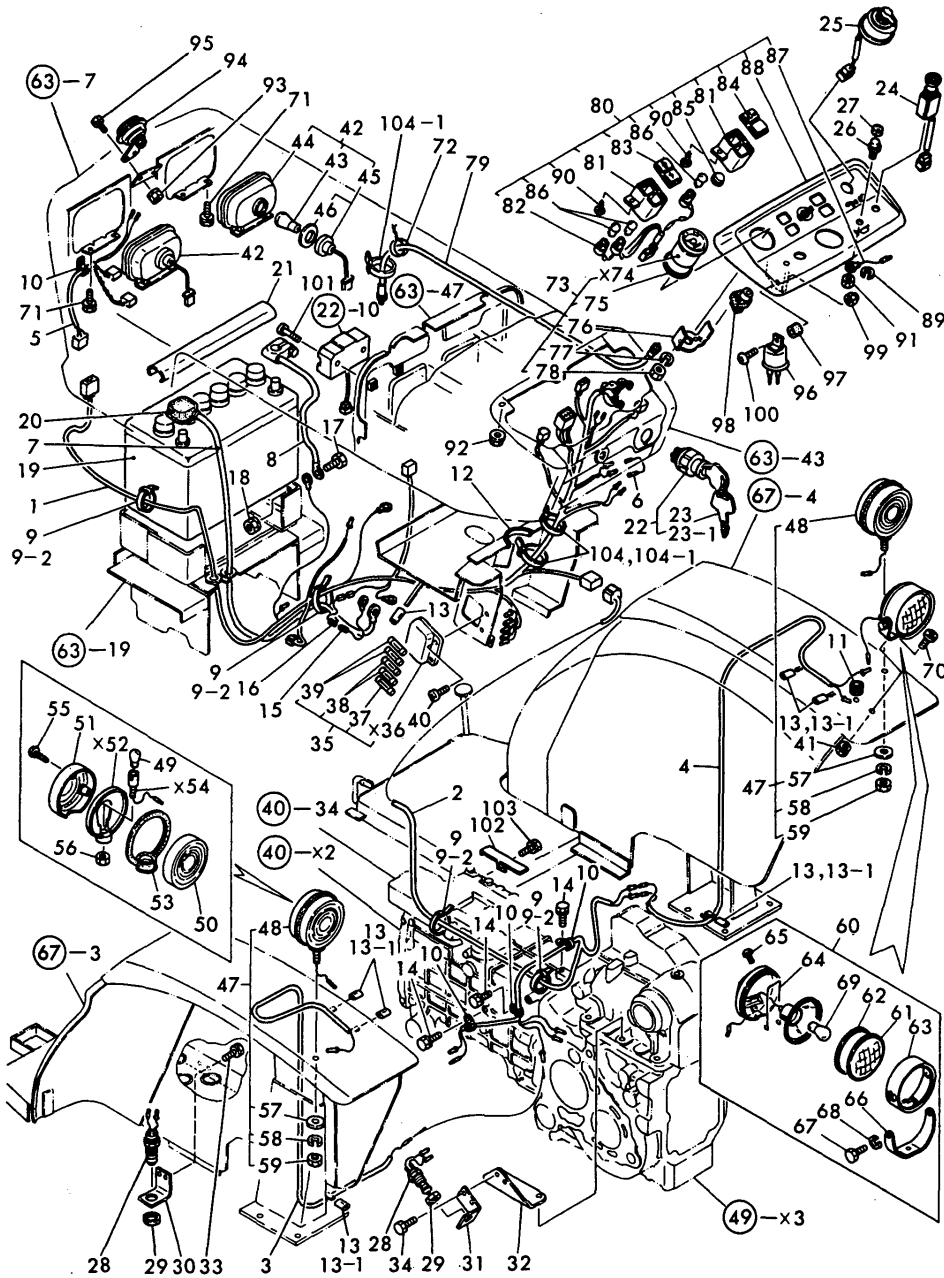
(D)=
(E)=
(F)=

| No. | Lev. | Parts No. | Description | Q'ty | | | | | | I | R |
|------|------|-----------------------------|-----------------------|------|-----|-----|-----|-----|-----|---|---|
| | | | | (A) | (B) | (C) | (D) | (E) | (F) | | |
| 1 | 1 | 194432-51110 | HARNESS (A), WIRE | 1 | 1 | | | | | | |
| 1-1 | 1 | 194363-51111 | HARNESS (A), WIRE | 1 | 1 | | | | | | N |
| | | (A=T/# 20615) (B=T/# 41206) | | | | | | | | | |
| 2 | 1 | 194432-51120 | HARNESS, WIRE | 1 | 1 | | | | | | |
| 3 | 1 | 194322-51130 | HARNESS, WIRE | 1 | 1 | | | | | | |
| 4 | 1 | 194322-51140 | HARNESS (D), WIRE | 1 | 1 | | | | | | |
| 4-1 | 1 | 194275-51141 | HARNESS, WIRE | 1 | 1 | | | | | | N |
| | | (A=T/# 20615) (B=T/# 41206) | | | | | | | | | |
| 5 | 1 | 194440-51150 | HARNESS, WIRE | 1 | 1 | | | | | | |
| 6 | 1 | 194446-51160 | WIRE, LEAD | 1 | 1 | | | | | | |
| 7 | 1 | 194080-51411 | CABLE, BATTERY | 1 | 1 | | | | | | |
| 8 | 1 | 194240-83420 | CABLE | 1 | 1 | | | | | | |
| 9 | 1 | 194150-51620 | CLAMP, HARNESS | 6 | 6 | | | | | | |
| 9-1 | 1 | 121750-59890 | BAND, 140 | 4 | 4 | | | | | | N |
| | | (A=*1981.) (B=*1981.) | | | | | | | | | |
| 9-2 | 1 | 121750-59890 | BAND, 140 | 5 | 5 | | | | | | K |
| | | (A=T/# 20771) (B=T/# 42090) | | | | | | | | | |
| 10 | 1 | 194440-51630 | CLAMP, HARNESS | 4 | 4 | | | | | | |
| 11 | 1 | 194080-58810 | GROMMET, 8 | 1 | 1 | | | | | | |
| 12 | 1 | 194420-58820 | GROMMET, L=83 | 1 | 1 | | | | | | |
| 13 | 1 | 23061-070035 | PIPE, 7X 35 | 7 | 7 | | | | | | |
| 13-1 | 1 | 23061-070035 | PIPE, 7X 35 | 6 | 6 | | | | | | K |
| | | (A=*1982.08) (B=*1982.08) | | | | | | | | | |
| 14 | 1 | 26013-060102 | BOLT, M6X 10 | 3 | 3 | | | | | | |
| 14-1 | 1 | 26013-060122 | BOLT, M6X 12 | 3 | 3 | | | | | | N |
| | | (A=*) (B=*) | | | | | | | | | |
| 14-2 | 1 | 26014-060122 | BOLT, M6X 12 | 3 | 3 | | | | | | N |
| | | (A=*1982.12) (B=*1982.12) | | | | | | | | | |
| 14-3 | 1 | 26106-060122 | BOLT, M6X 12 PLATED | 3 | 3 | | | | | | N |
| | | (A=T/# 20793) (B=T/# 42307) | | | | | | | | | |
| 15 | 1 | 194312-51210 | WIRE, MAIN LEAD | 1 | 1 | | | | | | |
| 16 | 1 | 194312-51220 | LINK, FUSIBLE | 1 | 1 | | | | | | |
| 16-1 | 1 | 194550-51220 | LINK, FUSIBLE 0.85 | 1 | 1 | | | | | | N |
| | | (A=T/# 20682) (B=T/# 41433) | | | | | | | | | |
| 17 | 1 | 26013-080142 | BOLT, M8X 14 | 1 | 1 | | | | | | |
| 17-1 | 1 | 26011-080162 | BOLT M 8X 16 | 1 | 1 | | | | | | N |
| | | (A=*1982.12) (B=*1982.12) | | | | | | | | | |
| 17-2 | 1 | 26106-080162 | BOLT, M8X 16 PLATED | 1 | 1 | | | | | | N |
| | | (A=T/# 20793) (B=T/# 42307) | | | | | | | | | |
| 18 | 1 | 194990-22050 | NUT, M8 | 1 | 1 | | | | | | |
| 19 | 1 | 194432-51310 | BATTERY (DRN50Z), DRY | 1 | 1 | | | | | | |
| 20 | 1 | 194080-51430 | INSULATOR | 1 | 1 | | | | | | Z |
| | | (A=EXXX) (B=EXXX) | | | | | | | | | |
| 21 | 1 | 194432-51550-X | COVER, BATTERY | 1 | 1 | | | | | | |
| 22 | 1 | 194322-52110 | SWITCH, STARTING | 1 | 1 | | | | | | |
| 23 | 2 | 194155-52190 | KEY | 1 | 1 | | | | | | |
| 23-1 | 2 | 194155-52190 | KEY | 2 | 2 | | | | | | K |
| | | (A=T/# 20768) (B=T/# 41981) | | | | | | | | | |
| 24 | 1 | 194440-52120 | SWITCH, LIGHTING | 1 | 1 | | | | | | |
| 24-1 | 1 | 194420-52120 | SWITCH, LIGHTING | 1 | 1 | | | | | | N |
| | | (A=T/# 20687) (B=T/# 41567) | | | | | | | | | |

N:Old $\frac{Yes}{No}$ New, Q:Old $\frac{No}{Yes}$ New, R:Old $\frac{Yes}{Yes}$ New, S:Old $\frac{No}{No}$ New, W:Add, Z:Discontinued, F:Interchangeable by set, K:Q'ty Change
 ++ CONTINUE ++
 Copyright (C) YANMAR CO., LTD. All Rights Reserved.

Fig.58. ELECTRIC PARTS (U.S.A.)

Fig. 58 ELECTRIC PARTS (U.S.A.)



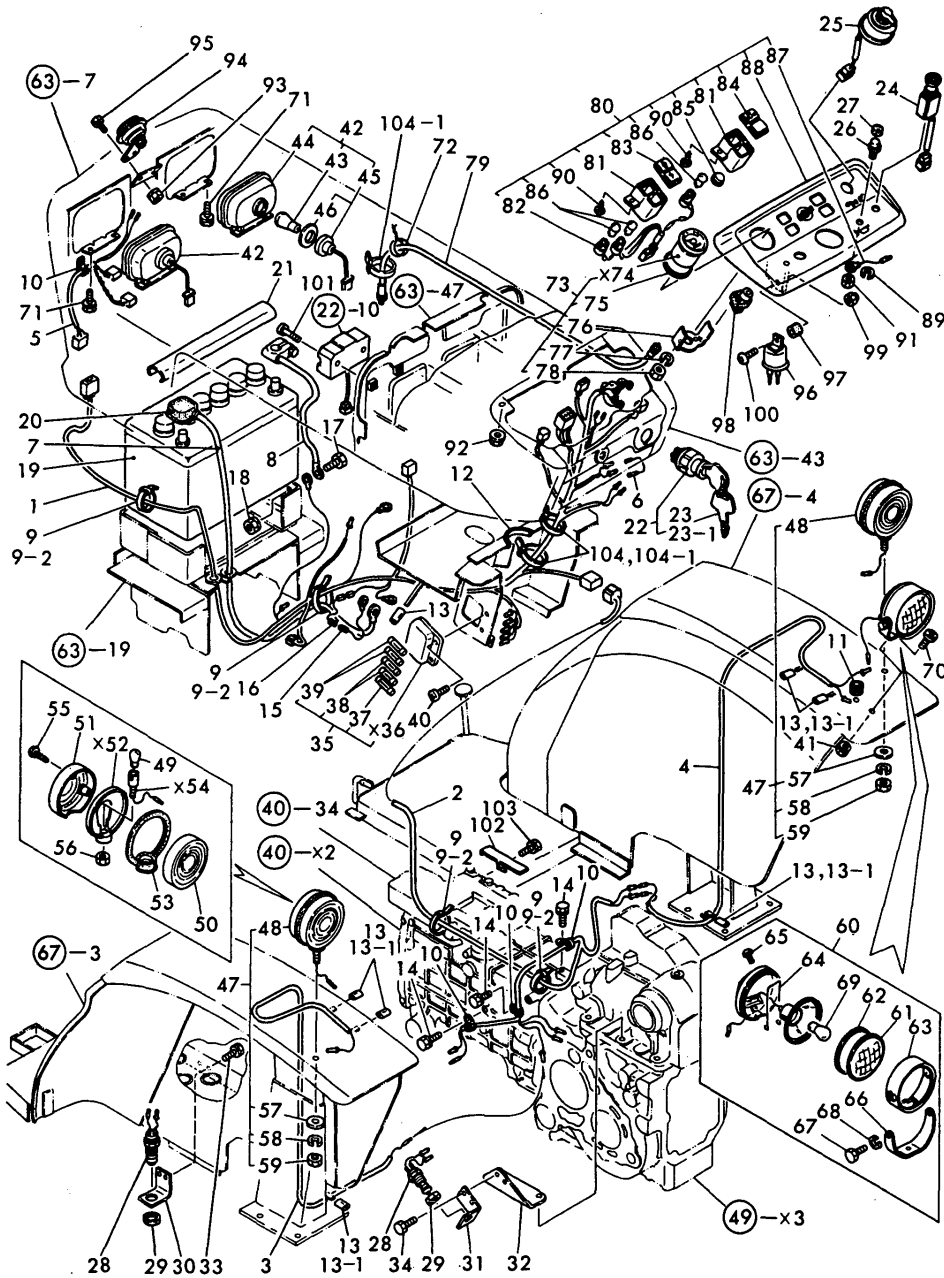
(A)=YM226
(B)=YM226D
(C)=

(D)=
(E)=
(F)=

| No. | Lev. | Parts No. | Description | Q'ty | | | | | | I | R |
|------|------|-----------------------------|----------------------|------|-----|-----|-----|-----|-----|---|---|
| | | | | (A) | (B) | (C) | (D) | (E) | (F) | | |
| 25 | 1 | 194170-52130 | SWITCH, TURN SIGNAL | 1 | 1 | | | | | | |
| 26 | 1 | 194150-52160 | SWITCH, HORN | 1 | 1 | | | | | | |
| 27 | 1 | 194150-52170 | CAP, SWITCH | 1 | 1 | | | | | | |
| 28 | 1 | 194440-52190 | SWITCH, SAFETY START | 2 | 2 | | | | | | |
| 28-1 | 1 | 194440-52191 | SWITCH, SAFETY START | 2 | 2 | | | | | | N |
| | | (A=T/# 20700) (B=T/# 41742) | | | | | | | | | |
| 29 | 1 | 194240-52210 | NUT, M22 | 2 | 2 | | | | | | |
| 30 | 1 | 194432-52220-X | STAY, SAFETY SWITCH | 1 | 1 | | | | | | |
| 31 | 1 | 194446-52230-X | STAY, SAFETY SWITCH | 1 | 1 | | | | | | |
| 32 | 1 | 194432-52240-X | BRACKET | 1 | 1 | | | | | | |
| 32-1 | 1 | 194432-52241 | BRACKET, SWITCH STAY | 1 | 1 | | | | | | N |
| | | (A=T/# 20771) (B=T/# 42090) | | | | | | | | | |
| 33 | 1 | 26013-060122 | BOLT, M6X 12 | 2 | 2 | | | | | | |
| 33-1 | 1 | 194155-05210 | BOLT, M6X16 | 2 | 2 | | | | | | N |
| | | (A=*1982.12) (B=*1982.12) | | | | | | | | | |
| 34 | 1 | 26116-060162 | BOLT, M6X 16 PLATED | 2 | 2 | | | | | | |
| 34-1 | 1 | 26106-060162 | BOLT, M6X 16 PLATED | 2 | 2 | | | | | | N |
| | | (A=T/# 20793) (B=T/# 42307) | | | | | | | | | |
| 35 | 1 | 194440-52400 | BOX ASSY, FUSE | 1 | 1 | | | | | | |
| 36A | 2 | 194440-52420 | COVER | 1 | 1 | | | | | | W |
| | | (A=FROM 1ST) (B=FROM 1ST) | | | | | | | | | |
| 37 | 2 | 194145-52820 | FUSE 5A | 1 | 1 | | | | | | |
| 37-1 | 2 | 29411-050000 | FUSE, CARTRIDGE 5A | 1 | 1 | | | | | | N |
| | | (A=T/# 20767) (B=T/# 42029) | | | | | | | | | |
| 38 | 2 | 194145-52830 | FUSE 10A | 2 | 2 | | | | | | |
| 38-1 | 2 | 29411-100000 | FUSE, CARTRIDGE 10A | 2 | 2 | | | | | | N |
| | | (A=T/# 20767) (B=T/# 42029) | | | | | | | | | |
| 39 | 2 | 194145-52840 | FUSE 15A | 2 | 2 | | | | | | |
| 39-1 | 2 | 29411-150000 | FUSE, CARTRIDGE 15A | 2 | 2 | | | | | | N |
| | | (A=T/# 20767) (B=T/# 42029) | | | | | | | | | |
| 40 | 1 | 26587-060202 | SCREW, M6X20 | 2 | 2 | | | | | | |
| 41 | 1 | 194990-22050 | NUT, M8 | 1 | 1 | | | | | | |
| 42 | 1 | 194201-53050 | LIGHT ASSY, HEAD | 2 | 2 | | | | | | |
| 42-1 | 1 | 194201-53051 | LIGHT ASSY, HEAD | 2 | 2 | | | | | | N |
| | | (A=*1981.) (B=*1981.) | | | | | | | | | |
| 43 | 2 | 194262-53080 | BULB, 12V25W | 2 | 2 | | | | | | |
| 44 | 2 | 194262-53090 | BEAM UNIT | 2 | 2 | | | | | | |
| 45 | 2 | 194262-53100 | SOCKET | 2 | 2 | | | | | | |
| 45-1 | 2 | 194201-53100 | SOCKET | 2 | 2 | | | | | | S |
| | | (A=*1981.) (B=*1981.) | | | | | | | | | |
| 46 | 3 | 194201-53110 | GASKET | 2 | 2 | | | | | | W |
| | | (A=*) (B=*) | | | | | | | | | |
| 47 | 1 | 794275-53401 | LAMP ASSY, WORKING | 2 | 2 | | | | | | |
| 48 | 2 | 194275-53401 | LAMP ASSY, WORKING | 2 | 2 | | | | | | |
| 49 | 3 | 194275-53410 | BULB | 2 | 2 | | | | | | |
| 50 | 3 | 194275-53421 | LENS | 2 | 2 | | | | | | |
| 51 | 3 | 194275-53431 | LENS | 2 | 2 | | | | | | |
| 53 | 3 | 194275-53451 | GASKET, LENS | 2 | 2 | | | | | | |
| 55 | 3 | 194275-53481 | SCREW, TAPPING M4X40 | 6 | 6 | | | | | | |
| 56 | 3 | 26756-100002 | NUT, LOCK M10 | 2 | 2 | | | | | | |
| 57 | 2 | 22137-100000 | WASHER, 10 | 2 | 2 | | | | | | |

Fig.58. ELECTRIC PARTS (U.S.A.)

Fig. 58 ELECTRIC PARTS (U.S.A.)



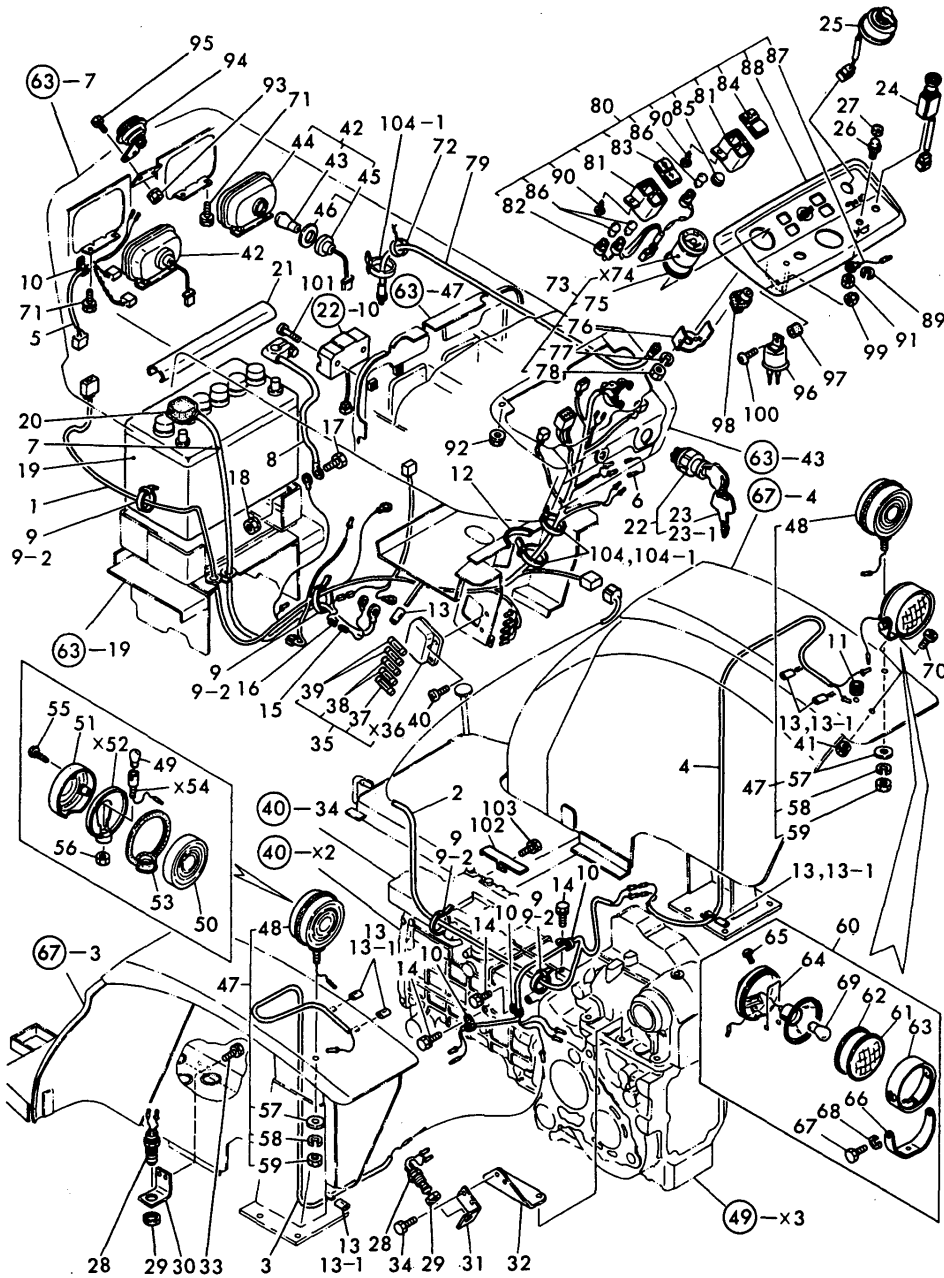
(A)=YM226
(B)=YM226D
(C)=

(D)=
(E)=
(F)=

| No. | Lev. | Parts No. | Description | Qty | | | | | | I | R |
|------|------|---|---------------------|-----|-----|-----|-----|-----|-----|---|---|
| | | | | (A) | (B) | (C) | (D) | (E) | (F) | | |
| 57-1 | 2 | 22137-100000 (A=T/# 20793) | WASHER, 10 | 2 | | | | | | | Z |
| 58 | 2 | 22217-100000 | WASHER, SPRING 10 | 2 | 2 | | | | | | |
| 59 | 2 | 26716-100002 | NUT, M10 | 2 | 2 | | | | | | |
| 60 | 1 | 794081-54101 | LAMP ASSY, WORKING | 1 | 1 | | | | | | |
| 61 | 2 | 194081-54110 | LENS | 1 | 1 | | | | | | |
| 62 | 2 | 194081-54120 | GASKET | 1 | 1 | | | | | | |
| 63 | 2 | 194081-54131 | RIM | 1 | 1 | | | | | | |
| 64 | 2 | 194081-54151 | SPRING | 1 | 1 | | | | | | |
| 65 | 2 | 194081-54210 | SCREW | 1 | 1 | | | | | | |
| 66 | 2 | 194081-54221 | STAY | 1 | 1 | | | | | | |
| 67 | 2 | 194081-54230 | BOLT M6X 12 | 2 | 2 | | | | | | |
| 68 | 2 | 194081-54240 | SPRING WASHER 6 | 2 | 2 | | | | | | |
| 69 | 2 | 194081-55820 | BULB, 12V20W | 1 | 1 | | | | | | |
| 69A | 2 | 194081-54140 | REFLECTOR | 1 | 1 | | | | | | W |
| 69B | 2 | 194081-54160 | SOCKET | 1 | 1 | | | | | | W |
| 69C | 2 | 194081-54171 | SWITCH | 1 | 1 | | | | | | W |
| 69D | 2 | 194081-54181 | BODY | 1 | 1 | | | | | | W |
| 69E | 2 | 194081-54190 | GROMMET | 1 | 1 | | | | | | W |
| 70 | 1 | 26587-080162 | SCREW, M8X16 | 1 | 1 | | | | | | |
| 71 | 1 | 26013-060122 | BOLT, M6X 12 | 4 | 4 | | | | | | |
| 71-1 | 1 | 26014-060122 | BOLT, M6X 12 | 4 | 4 | | | | | | N |
| 71-2 | 1 | 26106-060122 (A=T/# 20585) (B=T/# 41024) | BOLT, M6X 12 PLATED | 4 | 4 | | | | | | N |
| 72 | 1 | 194150-51620 (A=T/# 20793) (B=T/# 42307) | CLAMP, HARNESS | 1 | 1 | | | | | | |
| 72-1 | 1 | 121750-59890 (A=*1981.) (B=*1981.) | BAND, 140 | 1 | 1 | | | | | | N |
| 73 | 1 | 194432-56100 | METER ASSY, HOUR | 1 | 1 | | | | | | |
| 75 | 2 | 194432-56150 | RUBBER, BASE | 1 | 1 | | | | | | |
| 76 | 2 | 194432-56170 | WASHER | 1 | 1 | | | | | | |
| 77 | 2 | 22217-040000 | WASHER, SPRING 4 | 2 | 2 | | | | | | |
| 78 | 2 | 26716-040002 | NUT, M4 | 2 | 2 | | | | | | |
| 79 | 1 | 194190-56900 | CABLE ASSY, METER | 1 | 1 | | | | | | |
| 79-1 | 1 | 121400-91140 (A=*1981.) (B=*1981.) | SHAFT | 1 | 1 | | | | | | N |
| 80 | 1 | 194432-61600 | DASHBOARD ASSY | 1 | 1 | | | | | | |
| 81 | 2 | 194170-55120 | BOX, PILOT | 2 | 2 | | | | | | |
| 82 | 2 | 194170-55130 | CORD | 1 | 1 | | | | | | |
| 83 | 2 | 194170-55150 | LENS, PILOT | 1 | 1 | | | | | | |
| 84 | 2 | 194170-55160 | LENS (B) | 1 | 1 | | | | | | |
| 85 | 2 | 194170-55170 | COVER | 1 | 1 | | | | | | |
| 86 | 2 | 194155-55820 | BULB, 12V1.7W | 3 | 3 | | | | | | |
| 87 | 2 | 194432-56130 | CORD | 1 | 1 | | | | | | |
| 88 | 2 | 194432-61610 | PANEL, DASHBOARD | 1 | 1 | | | | | | |
| 89 | 2 | 22217-080000 | WASHER, SPRING 8 | 2 | 2 | | | | | | |

Fig.58. ELECTRIC PARTS (U.S.A.)

Fig. 58 ELECTRIC PARTS (U.S.A.)



(A)=YM226
(B)=YM226D
(C)=

(D)=
(E)=
(F)=

| No. | Lev. | Parts No. | Description | Qty | | | | | | I | R |
|-----------------------------|------|--------------|---------------------|-----|-----|-----|-----|-----|-----|---|---|
| | | | | (A) | (B) | (C) | (D) | (E) | (F) | | |
| 90 | 2 | 22857-400120 | SCREW, 4X12 | 4 | 4 | | | | | | |
| 91 | 2 | 26716-080002 | NUT, M8 | 1 | 1 | | | | | | |
| 92 | 1 | 194990-22120 | NUT, M5 | 6 | 6 | | | | | | |
| 93 | 1 | 194990-22040 | NUT, M6 | 2 | 2 | | | | | | |
| 94 | 1 | 194151-57100 | HOON | 1 | 1 | | | | | | |
| 95 | 1 | 26116-060122 | BOLT, M6X 12 PLATED | 2 | 2 | | | | | | |
| 95-1 | 1 | 26106-060122 | BOLT, M6X 12 PLATED | 2 | 2 | | | | | | N |
| (A=T/# 20793) (B=T/# 42307) | | | | | | | | | | | |
| 96 | 1 | 194080-57202 | RELAY | 1 | 1 | | | | | | |
| 97 | 1 | 194151-57210 | SPACER | 1 | 1 | | | | | | |
| 98 | 1 | 194464-57250 | RELAY, CHECK | 1 | 1 | | | | | | |
| 99 | 1 | 26346-050002 | NUT, M5 | 1 | 1 | | | | | | |
| 100 | 1 | 26557-050162 | SCREW, M5X16 | 1 | 1 | | | | | | |
| 101 | 1 | 26557-060302 | SCREW, M6X30 | 2 | 2 | | | | | | |
| 102 | 1 | 194432-27380 | STAY | 1 | 1 | | | | | | |
| 103 | 1 | 26013-080122 | BOLT, M8X 12 | 1 | 1 | | | | | | |
| 103-1 | 1 | 26106-080122 | BOLT, M8X 12 PLATED | 1 | 1 | | | | | | N |
| (A=T/# 20793) (B=T/# 42307) | | | | | | | | | | | |
| 104 | 1 | 194250-51660 | BAND 250 | 2 | 2 | | | | | | W |
| (A=*) (B=*) | | | | | | | | | | | |
| 104-1 | 1 | 194250-51660 | BAND 250 | 3 | 3 | | | | | | K |
| (A=T/# 20682) (B=T/# 41433) | | | | | | | | | | | |

Fig.59. ELECTRIC PARTS (FRANCE)

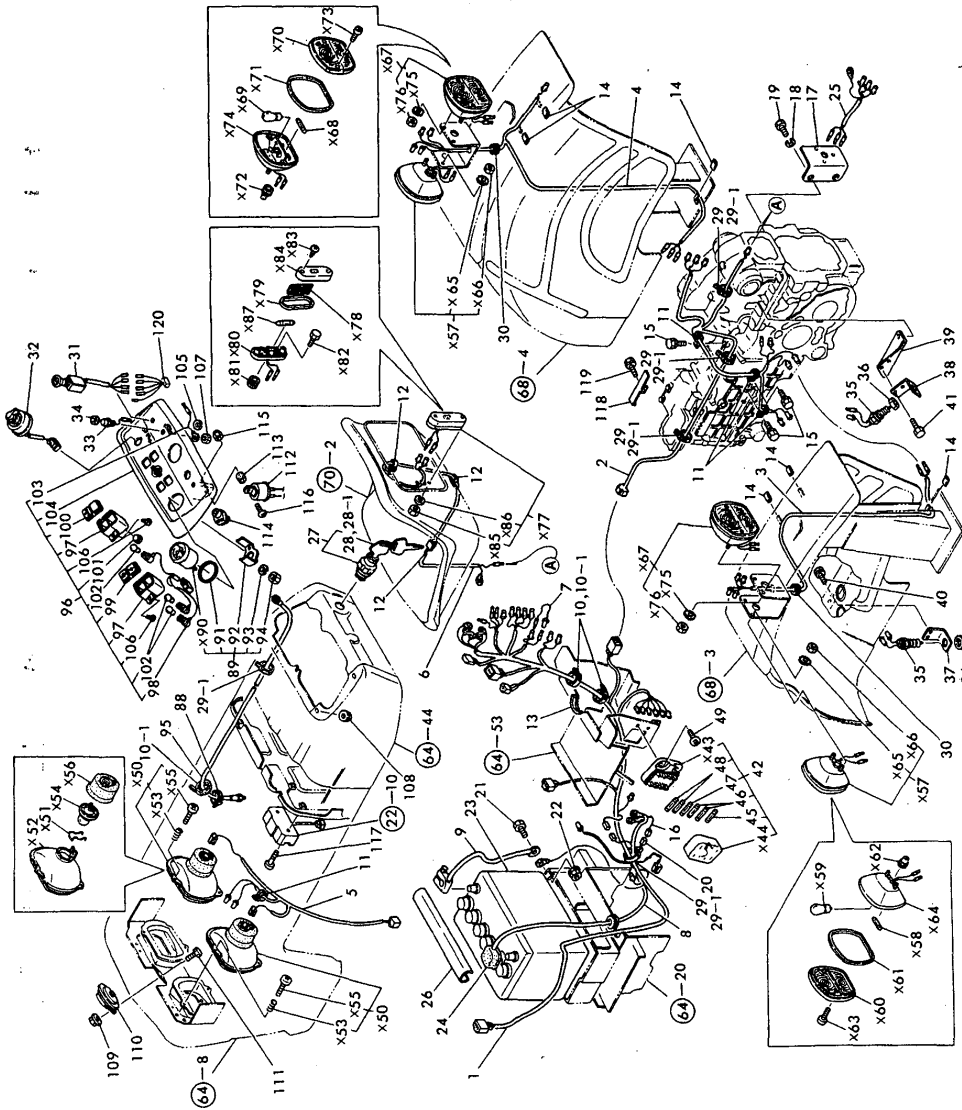


Fig. 59 ELECTRIC PARTS (France)

(A)=YM226
(B)=YM226D
(C)=

(D)=
(E)=
(F)=

| No. | Lev. | Parts No. | Description | Q'ty | | | | | | I | R |
|-----------------------------|------|----------------|-----------------------|------|-----|-----|-----|-----|-----|---|---|
| | | | | (A) | (B) | (C) | (D) | (E) | (F) | | |
| 1 | 1 | 194436-51110 | HARNESS (A), WIRE | 1 | 1 | | | | | | |
| 1-1 | 1 | 194363-51111 | HARNESS (A), WIRE | 1 | 1 | | | | | | N |
| (A=T/# 20615) (B=T/# 41206) | | | | | | | | | | | |
| 2 | 1 | 194436-51120 | HARNESS (B), WIRE | 1 | 1 | | | | | | |
| 3 | 1 | 194324-51131 | HARNESS (C), WIRE | 1 | 1 | | | | | | |
| 4 | 1 | 194324-51141 | HARNESS (D), WIRE | 1 | 1 | | | | | | |
| 5 | 1 | 194448-51151 | HARNESS (E), WIRE | 1 | 1 | | | | | | |
| 6 | 1 | 194436-51160 | HARNESS, LAMP | 1 | 1 | | | | | | |
| 7 | 1 | 194446-51160 | WIRE, LEAD | 1 | 1 | | | | | | |
| 8 | 1 | 194080-51411 | CABLE, BATTERY | 1 | 1 | | | | | | |
| 9 | 1 | 194240-83420 | CABLE | 1 | 1 | | | | | | |
| 10 | 1 | 194250-51660 | BAND 250 | 2 | 2 | | | | | | |
| 10-1 | 1 | 194250-51660 | BAND 250 | 3 | 3 | | | | | | K |
| (A=T/# 20682) (B=T/# 41433) | | | | | | | | | | | |
| 11 | 1 | 194440-51630 | CLAMP, HARNESS | 4 | 4 | | | | | | |
| 12 | 1 | 194242-51660 | CLAMP, WIRE HARNESS | 3 | 3 | | | | | | |
| 13 | 1 | 194420-58820 | GROMMET, L=83 | 1 | 1 | | | | | | |
| 14 | 1 | 23061-070035 | PIPE, 7X 35 | 6 | 6 | | | | | | |
| 15 | 1 | 26013-060122 | BOLT, M6X 12 | 3 | 3 | | | | | | |
| 15-1 | 1 | 26014-060122 | BOLT, M6X 12 | 3 | 3 | | | | | | N |
| (A=*1982.12) (B=*1982.12) | | | | | | | | | | | |
| 16 | 1 | 194312-51210 | WIRE, MAIN LEAD | 1 | 1 | | | | | | |
| 17 | 1 | 194436-51700-X | BRACKET, SOCKET | 1 | 1 | | | | | | |
| 18 | 1 | 22217-160000 | WASHER, SPRING 16 | 2 | 2 | | | | | | |
| 19 | 1 | 26116-160302 | BOLT, M16X 30 PLATED | 2 | 2 | | | | | | |
| 20 | 1 | 194312-51220 | LINK, FUSIBLE | 1 | 1 | | | | | | |
| 20-1 | 1 | 194550-51220 | LINK, FUSIBLE 0.85 | 1 | 1 | | | | | | N |
| (A=T/# 20682) (B=T/# 41433) | | | | | | | | | | | |
| 21 | 1 | 26013-080142 | BOLT, M8X 14 | 1 | 1 | | | | | | |
| 21-1 | 1 | 26011-080162 | BOLT M 8X 16 | 1 | 1 | | | | | | N |
| (A=*1982.12) (B=*1982.12) | | | | | | | | | | | |
| 21-2 | 1 | 26106-080162 | BOLT, M8X 16 PLATED | 4 | 4 | | | | | | N |
| (A=T/# 20793) (B=T/# 42307) | | | | | | | | | | | |
| 22 | 1 | 194990-22050 | NUT, M8 | 1 | 1 | | | | | | |
| 23 | 1 | 194432-51310 | BATTERY (DRN50Z), DRY | 1 | 1 | | | | | | |
| 24 | 1 | 194080-51430 | INSULATOR | 1 | 1 | | | | | | Z |
| (A=EXXX) (B=EXXX) | | | | | | | | | | | |
| 25 | 1 | 194240-51820 | HARNESS, SOCKET | 1 | 1 | | | | | | |
| 26 | 1 | 194432-51550-X | COVER, BATTERY | 1 | 1 | | | | | | |
| 27 | 1 | 194322-52110 | SWITCH, STARTING | 1 | 1 | | | | | | |
| 28 | 2 | 194155-52190 | KEY | 1 | 1 | | | | | | |
| 28-1 | 2 | 194155-52190 | KEY | 2 | 2 | | | | | | K |
| (A=T/# 20768) (B=T/# 41981) | | | | | | | | | | | |
| 29 | 1 | 121750-59890 | BAND, 140 | 4 | 4 | | | | | | |
| 29-1 | 1 | 121750-59890 | BAND, 140 | 6 | 6 | | | | | | K |
| (A=T/# 20771) (B=T/# 42090) | | | | | | | | | | | |
| 30 | 1 | 194448-58810 | GROMMET 8 | 2 | 2 | | | | | | |
| 30-1 | 1 | 194448-58811 | GROMMET, 15 | 2 | 2 | | | | | | S |
| (A=*1982.) (B=*1982.) | | | | | | | | | | | |
| 31 | 1 | 194240-52120 | SWITCH, LIGHTING | 1 | 1 | | | | | | |
| 32 | 1 | 194170-52130 | SWITCH, TURN SIGNAL | 1 | 1 | | | | | | |

Fig.59. ELECTRIC PARTS (FRANCE)

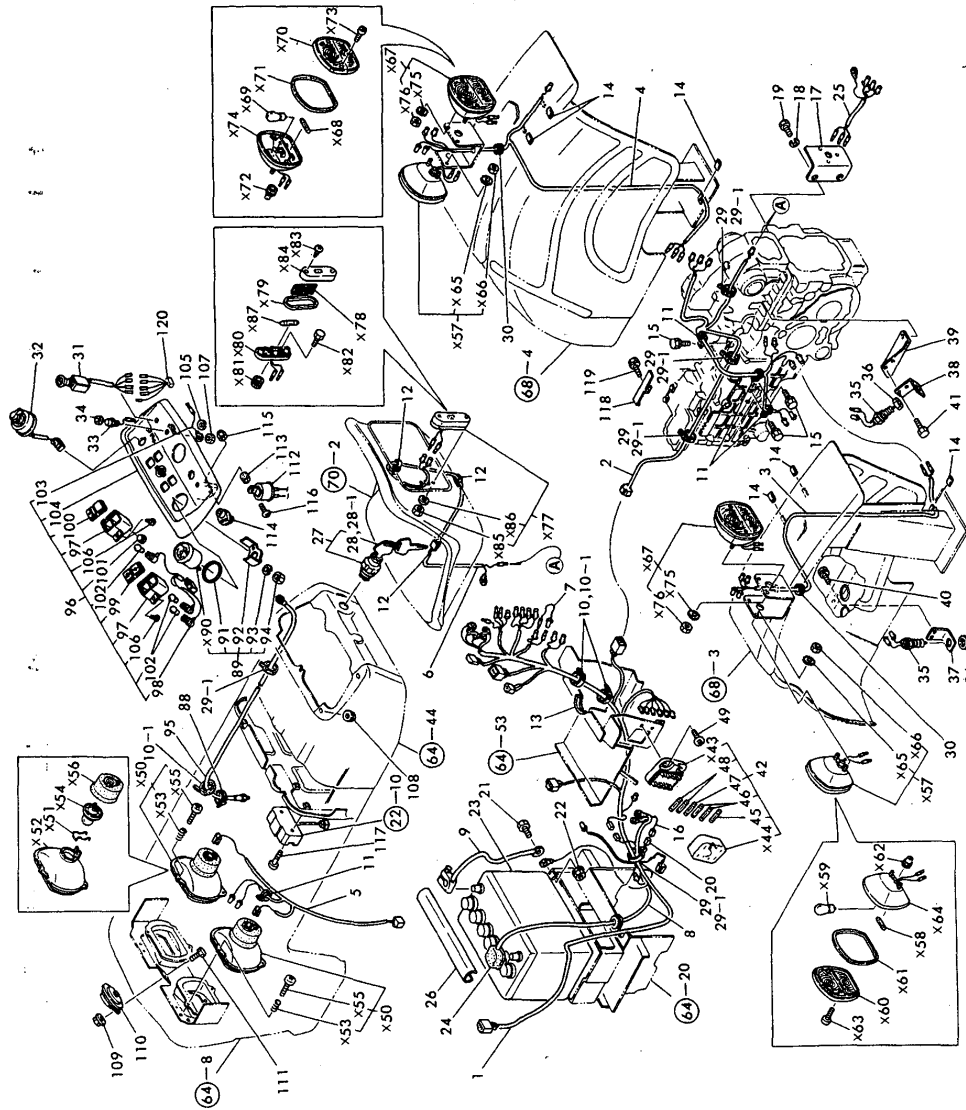


Fig. 59 ELECTRIC PARTS (France)

(A)=YM226
(B)=YM226D
(C)=

(D)=
(E)=
(F)=

| No. | Lev. | Parts No. | Description | Q'ty | | | | | | I | R |
|------|------|---|----------------------|------|-----|-----|-----|-----|-----|---|---|
| | | | | (A) | (B) | (C) | (D) | (E) | (F) | | |
| 33 | 1 | 194150-52160 | SWITCH, HORN | 1 | 1 | | | | | | |
| 34 | 1 | 194150-52170 | CAP, SWITCH | 1 | 1 | | | | | | |
| 35 | 1 | 194440-52190 | SWITCH, SAFETY START | 2 | 2 | | | | | | |
| 35-1 | 1 | 194440-52191 (A=T/# 20700) (B=T/# 41742) | SWITCH, SAFETY START | 2 | 2 | | | | | | N |
| 36 | 1 | 194240-52210 | NUT, M22 | 2 | 2 | | | | | | |
| 37 | 1 | 194432-52220-X | STAY, SAFETY SWITCH | 1 | 1 | | | | | | |
| 38 | 1 | 194446-52230-X | STAY, SAFETY SWITCH | 1 | 1 | | | | | | |
| 39 | 1 | 194432-52240-X | BRACKET | 1 | 1 | | | | | | |
| 39-1 | 1 | 194432-52241 (A=T/# 20771) (B=T/# 42090) | BRACKET, SWITCH STAY | 1 | 1 | | | | | | N |
| 40 | 1 | 26013-060122 | BOLT, M6X 12 | 2 | 2 | | | | | | |
| 40-1 | 1 | 194155-05210 (A=*1982.12) (B=*1982.12) | BOLT, M6X16 | 2 | 2 | | | | | | N |
| 41 | 1 | 26116-060162 | BOLT, M6X 16 PLATED | 2 | 2 | | | | | | |
| 42 | 1 | 194240-52400 | BOX ASSY, FUSE | 1 | 1 | | | | | | |
| 45 | 2 | 194145-52820 | FUSE 5A | 1 | 1 | | | | | | |
| 45-1 | 2 | 29411-050000 | FUSE, CARTRIDGE 5A | 1 | 1 | | | | | | N |
| 46 | 2 | 194145-52830 (A=T/# 20767) (B=T/# 42029) | FUSE 10A | 2 | 2 | | | | | | |
| 46-1 | 2 | 29411-100000 | FUSE, CARTRIDGE 10A | 1 | 1 | | | | | | N |
| 47 | 2 | 194145-52840 (A=T/# 20767) (B=T/# 42029) | FUSE 15A | 1 | 1 | | | | | | |
| 47-1 | 2 | 29411-150000 | FUSE, CARTRIDGE 15A | 1 | 1 | | | | | | N |
| 48 | 2 | 194145-52850 (A=T/# 20767) (B=T/# 42029) | FUSE 20A | 2 | 2 | | | | | | |
| 48-1 | 2 | 29411-200000 | FUSE, CARTRIDGE 20A | 2 | 2 | | | | | | N |
| 49 | 1 | 26587-060202 (A=T/# 20767) (B=T/# 42029) | SCREW, M6X20 | 2 | 2 | | | | | | |
| 88 | 1 | 121750-59890 | BAND, 140 | 1 | 1 | | | | | | |
| 89 | 1 | 194432-56100 | METER ASSY, HOUR | 1 | 1 | | | | | | |
| 91 | 2 | 194432-56150 | RUBBER, BASE | 1 | 1 | | | | | | |
| 92 | 2 | 194432-56170 | WASHER | 1 | 1 | | | | | | |
| 93 | 2 | 22217-040000 | WASHER, SPRING 4 | 2 | 2 | | | | | | |
| 94 | 2 | 26716-040002 | NUT, M4 | 2 | 2 | | | | | | |
| 95 | 1 | 121400-91140 | SHAFT | 1 | 1 | | | | | | |
| 96 | 1 | 194432-61600 | DASHBOARD ASSY | 1 | 1 | | | | | | |
| 97 | 2 | 194170-55120 | BOX, PILOT | 2 | 2 | | | | | | |
| 98 | 2 | 194170-55130 | CORD | 1 | 1 | | | | | | |
| 99 | 2 | 194170-55150 | LENS, PILOT | 1 | 1 | | | | | | |
| 100 | 2 | 194170-55160 | LENS (B) | 1 | 1 | | | | | | |
| 101 | 2 | 194170-55170 | COVER | 1 | 1 | | | | | | |
| 102 | 2 | 194155-55820 | BULB, 12V1.7W | 3 | 3 | | | | | | |
| 103 | 2 | 194432-56130 | CORD | 1 | 1 | | | | | | |
| 104 | 2 | 194432-61610 | PANEL, DASHBOARD | 1 | 1 | | | | | | |
| 105 | 2 | 22217-080000 | WASHER, SPRING 8 | 2 | 2 | | | | | | |
| 106 | 2 | 22857-400120 | SCREW, 4X12 | 4 | 4 | | | | | | |
| 107 | 2 | 26716-080002 | NUT, M8 | 1 | 1 | | | | | | |
| 108 | 1 | 194990-22120 | NUT, M5 | 6 | 6 | | | | | | |
| 109 | 1 | 194990-22040 | NUT, M6 | 2 | 2 | | | | | | |
| 110 | 1 | 194340-57100 | HORN ASSY | 1 | 1 | | | | | | |

Fig.59. ELECTRIC PARTS (FRANCE)

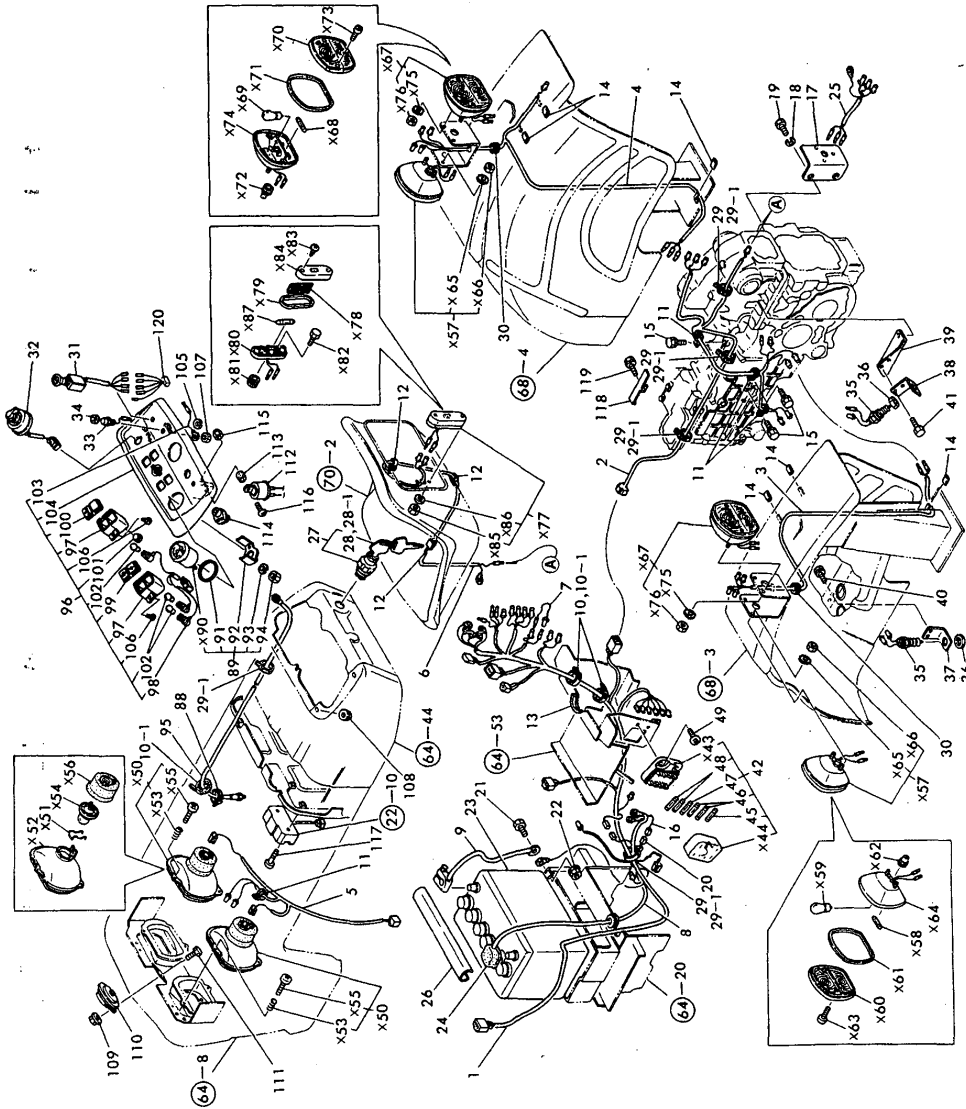


Fig. 59 ELECTRIC PARTS (France)

(A)=YM226
(B)=YM226D
(C)=

(D)=
(E)=
(F)=

| No. | Lev. | Parts No. | Description | Qty | | | | | | I | R |
|-------|------|-----------------------------|---------------------|-----|-----|-----|-----|-----|-----|---|---|
| | | | | (A) | (B) | (C) | (D) | (E) | (F) | | |
| 111 | 1 | 26116-060122 | BOLT, M6X 12 PLATED | 2 | 2 | | | | | | |
| 112 | 1 | 194080-57202 | RELAY | 1 | 1 | | | | | | |
| 113 | 1 | 194151-57210 | SPACER | 1 | 1 | | | | | | |
| 114 | 1 | 194464-57250 | RELAY, CHECK | 1 | 1 | | | | | | |
| 115 | 1 | 26346-050002 | NUT, M5 | 1 | 1 | | | | | | |
| 116 | 1 | 26557-050162 | SCREW, M5X16 | 1 | 1 | | | | | | |
| 117 | 1 | 26557-060302 | SCREW, M6X30 | 2 | 2 | | | | | | |
| 118 | 1 | 194432-27380 | STAY | 1 | 1 | | | | | | |
| 119 | 1 | 26013-080122 | BOLT, M8X 12 | 1 | 1 | | | | | | |
| 119-1 | 1 | 26106-080122 | BOLT, M8X 12 PLATED | 1 | 1 | | | | | | N |
| | | (A=T/# 20793) (B=T/# 42307) | | | | | | | | | |
| 120 | 1 | 194292-51191 | WIRE, LEAD | 1 | 1 | | | | | | W |
| | | (A=T/# 20615) (B=T/# 41206) | | | | | | | | | |

Fig.60. ELECTRIC PARTS (EUROPE)

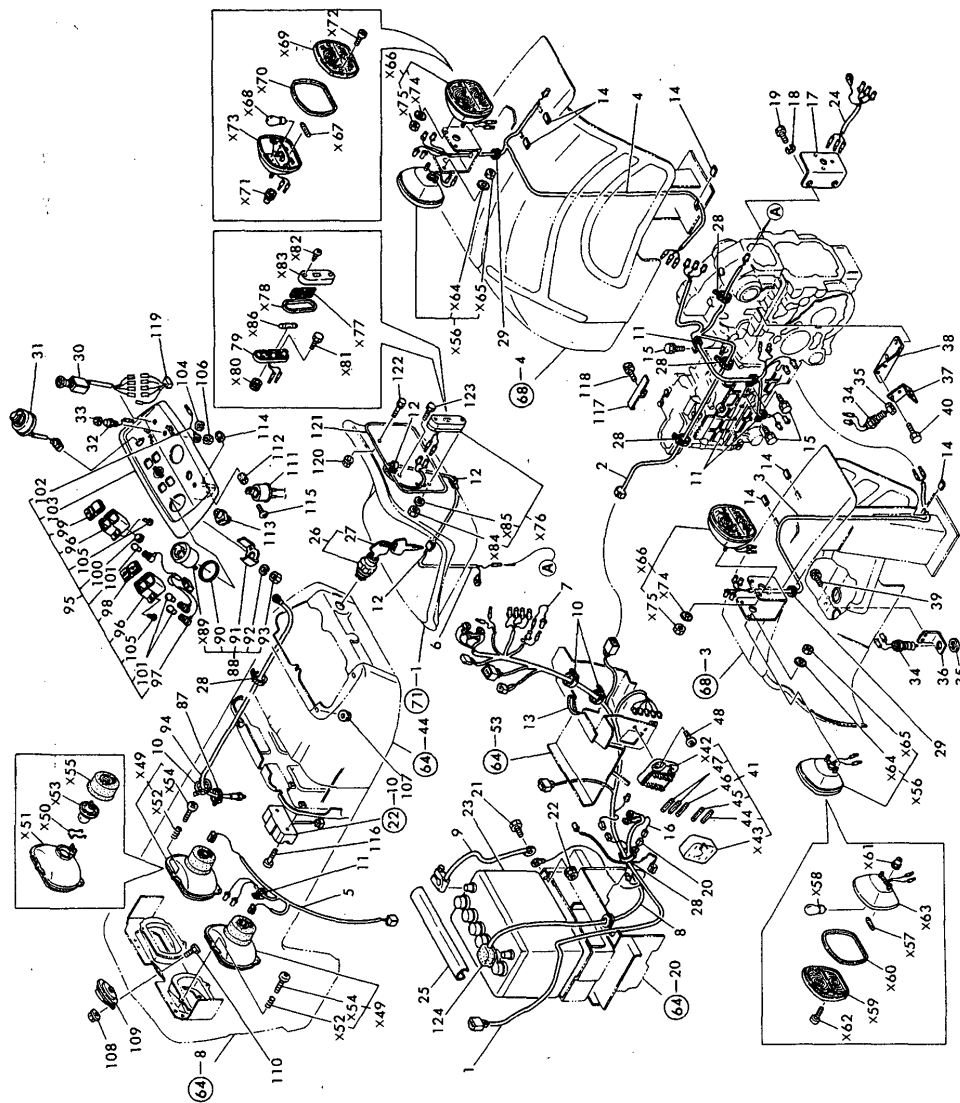


Fig. 60 ELECTRIC PARTS (Europe)

| No. | Lev. | Parts No. | Description | Qty | | | | | | I | R |
|------|------|-----------------------------|-----------------------|-----|-----|-----|-----|-----|-----|---|---|
| | | | | (A) | (B) | (C) | (D) | (E) | (F) | | |
| 1 | 1 | 194363-51111 | HARNES (A), WIRE | 1 | 1 | | | | | | |
| 2 | 1 | 194436-51120 | HARNES (B), WIRE | 1 | 1 | | | | | | |
| 3 | 1 | 194324-51131 | HARNES (C), WIRE | 1 | 1 | | | | | | |
| 4 | 1 | 194324-51141 | HARNES (D), WIRE | 1 | 1 | | | | | | |
| 5 | 1 | 194448-51151 | HARNES (E), WIRE | 1 | 1 | | | | | | |
| 6 | 1 | 194436-51160 | HARNES, LAMP | 1 | 1 | | | | | | |
| 7 | 1 | 194446-51160 | WIRE, LEAD | 1 | 1 | | | | | | |
| 8 | 1 | 194080-51411 | CABLE, BATTERY | 1 | 1 | | | | | | |
| 9 | 1 | 194240-83420 | CABLE | 1 | 1 | | | | | | |
| 10 | 1 | 194250-51660 | BAND 250 | 3 | 3 | | | | | | |
| 11 | 1 | 194440-51630 | CLAMP, HARNES | 4 | 4 | | | | | | |
| 12 | 1 | 194242-51660 | CLAMP, WIRE HARNES | 3 | 3 | | | | | | |
| 13 | 1 | 194420-58820 | GROMMET, L=83 | 1 | 1 | | | | | | |
| 14 | 1 | 23061-070035 | PIPE, 7X 35 | 6 | 6 | | | | | | |
| 15 | 1 | 26014-060122 | BOLT, M6X 12 | 3 | 3 | | | | | | |
| 16 | 1 | 194312-51210 | WIRE, MAIN LEAD | 1 | 1 | | | | | | |
| 17 | 1 | 194436-51700-X | BRACKET, SOCKET | 1 | 1 | | | | | | |
| 18 | 1 | 22217-160000 | WASHER, SPRING 16 | 2 | 2 | | | | | | |
| 19 | 1 | 26116-160302 | BOLT, M16X 30 PLATED | 2 | 2 | | | | | | |
| 20 | 1 | 194550-51220 | LINK, FUSIBLE 0.85 | 1 | 1 | | | | | | |
| 21 | 1 | 26011-080162 | BOLT M 8X 16 | 1 | 1 | | | | | | |
| 21-1 | 1 | 26106-080162 | BOLT, M8X 16 PLATED | 1 | 1 | | | | | | N |
| | | (A=T/# 20793) (B=T/# 42307) | | | | | | | | | |
| 22 | 1 | 194990-22050 | NUT, M8 | 1 | 1 | | | | | | |
| 23 | 1 | 194432-51310 | BATTERY (DRN50Z), DRY | 1 | 1 | | | | | | |
| 24 | 1 | 194240-51820 | HARNES, SOCKET | 1 | 1 | | | | | | |
| 25 | 1 | 194432-51550 | COVER, BATTERY | 1 | 1 | | | | | | |
| 26 | 1 | 194322-52110 | SWITCH, STARTING | 1 | 1 | | | | | | |
| 27 | 2 | 194155-52190 | KEY | 2 | 2 | | | | | | |
| 28 | 1 | 121750-59890 | BAND, 140 | 6 | 6 | | | | | | |
| 29 | 1 | 194448-58811 | GROMMET, 15 | 2 | 2 | | | | | | |
| 30 | 1 | 194240-52120 | SWITCH, LIGHTING | 1 | 1 | | | | | | |
| 31 | 1 | 194170-52130 | SWITCH, TURN SIGNAL | 1 | 1 | | | | | | |
| 32 | 1 | 194150-52160 | SWITCH, HORN | 1 | 1 | | | | | | |
| 33 | 1 | 194150-52170 | CAP, SWITCH | 1 | 1 | | | | | | |
| 34 | 1 | 194440-52191 | SWITCH, SAFETY START | 2 | 2 | | | | | | |
| 35 | 1 | 194240-52210 | NUT, M22 | 2 | 2 | | | | | | |
| 36 | 1 | 194432-52220-X | STAY, SAFETY SWITCH | 1 | 1 | | | | | | |
| 37 | 1 | 194446-52230-X | STAY, SAFETY SWITCH | 1 | 1 | | | | | | |
| 38 | 1 | 194432-52241 | BRACKET, SWITCH STAY | 1 | 1 | | | | | | |
| 39 | 1 | 194155-05210 | BOLT, M6X16 | 2 | 2 | | | | | | |
| 40 | 1 | 26116-060162 | BOLT, M6X 16 PLATED | 2 | 2 | | | | | | |
| 41 | 1 | 194240-52400 | BOX ASSY, FUSE | 1 | 1 | | | | | | |
| 44 | 2 | 29411-050000 | FUSE, CARTRIDGE 5A | 1 | 1 | | | | | | |
| 45 | 2 | 29411-100000 | FUSE, CARTRIDGE 10A | 1 | 1 | | | | | | |
| 46 | 2 | 29411-150000 | FUSE, CARTRIDGE 15A | 1 | 1 | | | | | | |
| 47 | 2 | 29411-200000 | FUSE, CARTRIDGE 20A | 2 | 2 | | | | | | |
| 48 | 1 | 26587-060202 | SCREW, M6X20 | 2 | 2 | | | | | | |
| 49 | 1 | 194436-53100 | LAMP ASSY, HEAD | 2 | 2 | | | | | | |
| 50 | 2 | 194436-53120 | CLIP | 2 | 2 | | | | | | |
| 51 | 2 | 194436-53160 | BODY, LAMP | 2 | 2 | | | | | | |

Fig.60. ELECTRIC PARTS (EUROPE)

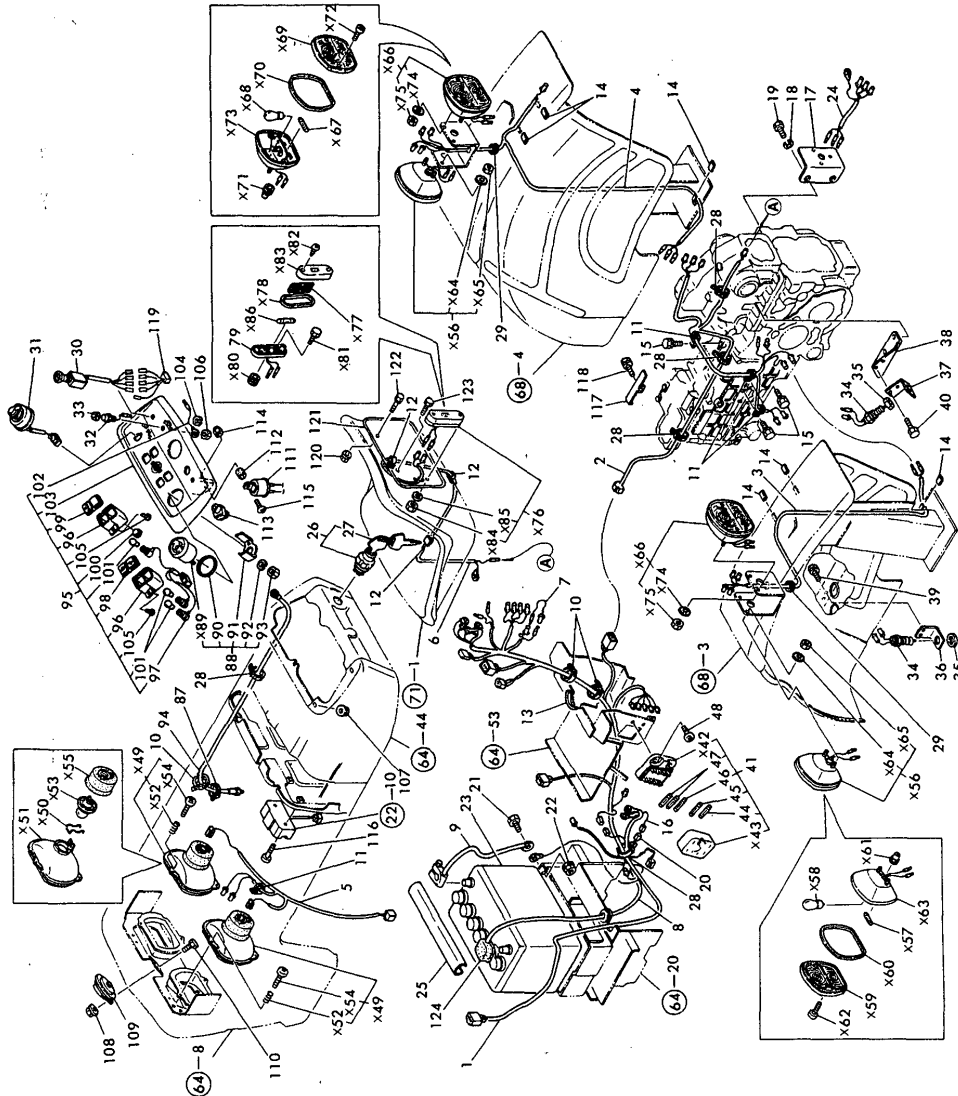


Fig. 60 ELECTRIC PARTS (Europe)

(A)=YM226
(B)=YM226D
(C)=

(D)=
(E)=
(F)=

| No. | Lev. | Parts No. | Description | Qty | | | | | | I | R |
|-----|------|--------------|---------------------|-----|-----|-----|-----|-----|-----|---|---|
| | | | | (A) | (B) | (C) | (D) | (E) | (F) | | |
| 52 | 2 | 194436-53130 | SPRING | 6 | 6 | | | | | | |
| 53 | 2 | 194436-53110 | BULB 12V-45/40 | 2 | 2 | | | | | | |
| 54 | 2 | 194436-53140 | SCREW | 6 | 6 | | | | | | |
| 55 | 2 | 194436-53150 | BOOT, RUBBER | 2 | 2 | | | | | | |
| 56 | 1 | 194436-53600 | LAMP, CLEARANCE | 2 | 2 | | | | | | |
| 57 | 2 | 194436-53650 | BULB 12V-4W | 2 | 2 | | | | | | |
| 58 | 2 | 194436-53640 | BULB 12V-21W | 2 | 2 | | | | | | |
| 59 | 2 | 194436-53630 | LENS | 2 | 2 | | | | | | |
| 60 | 2 | 194436-53610 | GASKET | 2 | 2 | | | | | | |
| 61 | 2 | 194436-53620 | GROMMET | 2 | 2 | | | | | | |
| 62 | 2 | 26557-040202 | SCREW, M4X20 | 4 | 4 | | | | | | |
| 63 | 2 | 194436-53660 | BODY | 2 | 2 | | | | | | |
| 64 | 2 | 194436-53670 | WASHER 5 | 4 | 4 | | | | | | |
| 65 | 2 | 26716-050002 | NUT, M5 | 4 | 4 | | | | | | |
| 66 | 1 | 194436-53700 | LAMP, CLEARANCE | 2 | 2 | | | | | | |
| 67 | 2 | 194436-53650 | BULB 12V-4W | 2 | 2 | | | | | | |
| 68 | 2 | 194436-53640 | BULB 12V-21W | 2 | 2 | | | | | | |
| 69 | 2 | 194436-53710 | LENS | 2 | 2 | | | | | | |
| 70 | 2 | 194436-53610 | GASKET | 2 | 2 | | | | | | |
| 71 | 2 | 194436-53620 | GROMMET | 2 | 2 | | | | | | |
| 72 | 2 | 26557-040202 | SCREW, M4X20 | 4 | 4 | | | | | | |
| 73 | 2 | 194436-53660 | BODY | 2 | 2 | | | | | | |
| 74 | 2 | 194436-53670 | WASHER 5 | 4 | 4 | | | | | | |
| 75 | 2 | 26716-050002 | NUT, M5 | 4 | 4 | | | | | | |
| 76 | 1 | 194436-53800 | LAMP, LICENSE | 1 | 1 | | | | | | |
| 77 | 2 | 194436-53850 | LENS, LICENSE | 1 | 1 | | | | | | |
| 78 | 2 | 194436-53840 | GASKET | 1 | 1 | | | | | | |
| 79 | 2 | 194436-53810 | BODY | 1 | 1 | | | | | | |
| 80 | 2 | 194436-53860 | GROMMET, LICENSE | 1 | 1 | | | | | | |
| 81 | 2 | 26116-050162 | BOLT, M5X 16 PLATED | 2 | 2 | | | | | | |
| 82 | 2 | 194436-53820 | SCREW | 1 | 1 | | | | | | |
| 83 | 2 | 194436-53830 | COVER, PLATE | 1 | 1 | | | | | | |
| 84 | 2 | 26716-050002 | NUT, M5 | 2 | 2 | | | | | | |
| 85 | 2 | 22217-050000 | WASHER, SPRING 5 | 2 | 2 | | | | | | |
| 86 | 2 | 194436-53650 | BULB 12V-4W | 1 | 1 | | | | | | |
| 87 | 1 | 121750-59890 | BAND, 140 | 1 | 1 | | | | | | |
| 88 | 1 | 194432-56100 | METER ASSY, HOUR | 1 | 1 | | | | | | |
| 90 | 2 | 194432-56150 | RUBBER, BASE | 1 | 1 | | | | | | |
| 91 | 2 | 194432-56170 | WASHER | 1 | 1 | | | | | | |
| 92 | 2 | 22217-040000 | WASHER, SPRING 4 | 2 | 2 | | | | | | |
| 93 | 2 | 26716-040002 | NUT, M4 | 2 | 2 | | | | | | |
| 94 | 1 | 121400-91140 | SHAFT | 1 | 1 | | | | | | |
| 95 | 1 | 194432-61600 | DASHBOARD ASSY | 1 | 1 | | | | | | |
| 96 | 2 | 194170-55120 | BOX, PILOT | 2 | 2 | | | | | | |
| 97 | 2 | 194170-55130 | CORD | 1 | 1 | | | | | | |
| 98 | 2 | 194170-55150 | LENS, PILOT | 1 | 1 | | | | | | |
| 99 | 2 | 194170-55160 | LENS (B) | 1 | 1 | | | | | | |
| 100 | 2 | 194170-55170 | COVER | 1 | 1 | | | | | | |
| 101 | 2 | 194155-55820 | BULB, 12V1.7W | 3 | 3 | | | | | | |
| 102 | 2 | 194432-56130 | CORD | 1 | 1 | | | | | | |
| 103 | 2 | 194432-61610 | PANEL, DASHBOARD | 1 | 1 | | | | | | |

N:Old $\frac{Yes}{No}$ New, Q:Old $\frac{No}{Yes}$ New, R:Old $\frac{Yes}{No}$ New, S:Old $\frac{No}{Yes}$ New, W:Add, Z:Discontinued, F:Interchangeable by set, K:Q'ty Change
 ++ CONTINUE ++
 Copyright (C) YANMAR CO., LTD. All Rights Reserved.

Fig.60. ELECTRIC PARTS (EUROPE)

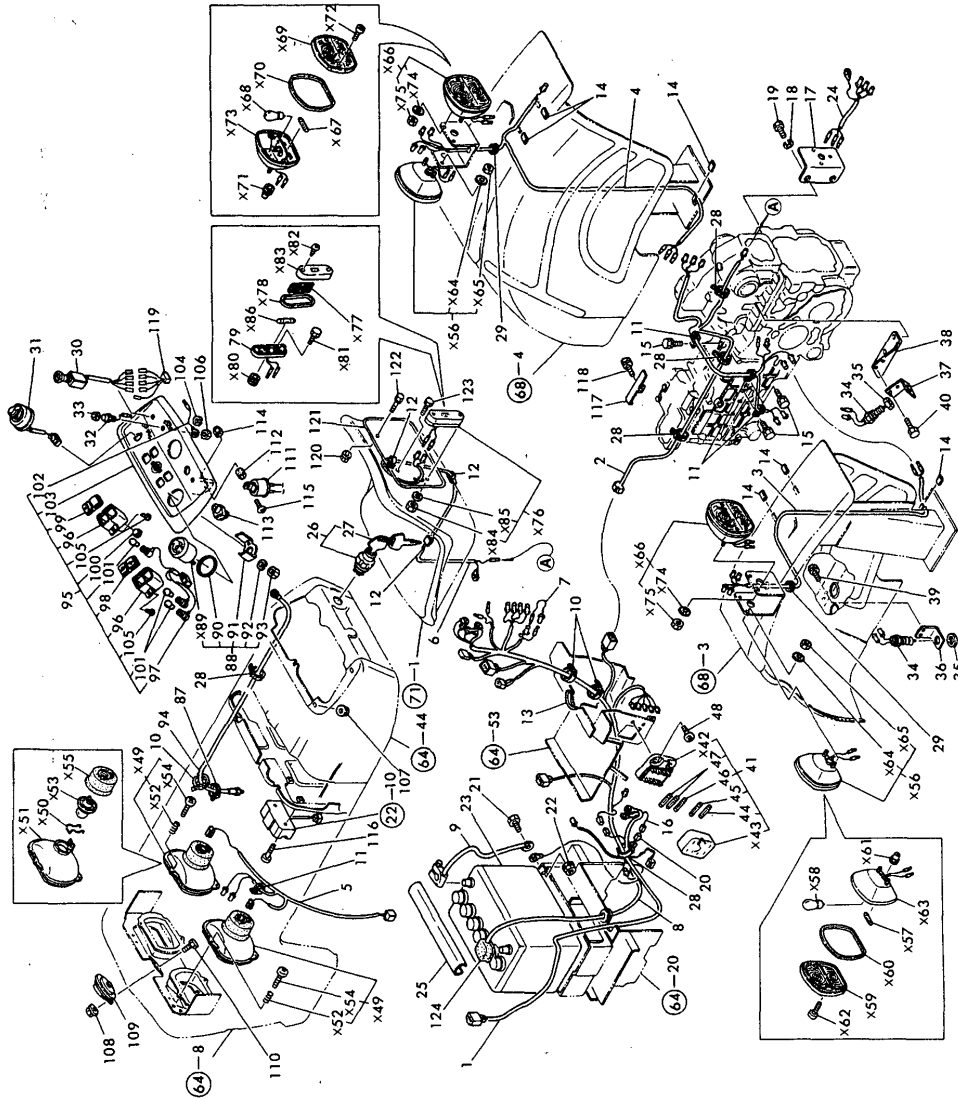


Fig. 60 ELECTRIC PARTS (Europe)

(A)=YM226
(B)=YM226D
(C)=

(D)=
(E)=
(F)=

| No. | Lev. | Parts No. | Description | Q'ty | | | | | | I | R |
|-------|------|-----------------------------|---------------------|------|-----|-----|-----|-----|-----|---|---|
| | | | | (A) | (B) | (C) | (D) | (E) | (F) | | |
| 104 | 2 | 22217-080000 | WASHER, SPRING 8 | 2 | 2 | | | | | | |
| 105 | 2 | 22857-400120 | SCREW, 4X12 | 4 | 4 | | | | | | |
| 106 | 2 | 26716-080002 | NUT, M8 | 1 | 1 | | | | | | |
| 107 | 1 | 194990-22120 | NUT, M5 | 6 | 6 | | | | | | |
| 108 | 1 | 194990-22040 | NUT, M6 | 2 | 2 | | | | | | |
| 109 | 1 | 194340-57100 | HORN ASSY | 1 | 1 | | | | | | |
| 110 | 1 | 26116-060122 | BOLT, M6X 12 PLATED | 2 | 2 | | | | | | |
| 111 | 1 | 194080-57202 | RELAY | 1 | 1 | | | | | | |
| 112 | 1 | 194151-57210 | SPACER | 1 | 1 | | | | | | |
| 113 | 1 | 194464-57250 | RELAY, CHECK | 1 | 1 | | | | | | |
| 114 | 1 | 26346-050002 | NUT, M5 | 1 | 1 | | | | | | |
| 115 | 1 | 26557-050162 | SCREW, M5X16 | 1 | 1 | | | | | | |
| 116 | 1 | 26557-060302 | SCREW, M6X30 | 2 | 2 | | | | | | |
| 117 | 1 | 194432-27380 | STAY | 1 | 1 | | | | | | |
| 118 | 1 | 26013-080122 | BOLT, M8X 12 | 1 | 1 | | | | | | |
| 118-1 | 1 | 26106-080122 | BOLT, M8X 12 PLATED | 1 | 1 | | | | | | N |
| | | (A=T/# 20793) (B=T/# 42307) | | | | | | | | | |
| 119 | 1 | 194292-51191 | WIRE, LEAD | 1 | 1 | | | | | | |
| 120 | 1 | 194990-22130 | NUT, M6 | 1 | 1 | | | | | | |
| 121 | 1 | 194436-64510 | PLATE, LICENSE | 1 | 1 | | | | | | |
| 122 | 1 | 26014-060122 | BOLT, M6X 12 | 1 | 1 | | | | | | |
| 123 | 1 | 26116-060122 | BOLT, M6X 12 PLATED | 1 | 1 | | | | | | |
| 124 | 1 | 194080-51430 | INSULATOR | 1 | 1 | | | | | | Z |
| | | (A=EXXX) (B=EXXX) | | | | | | | | | |

Fig.61. ELECTRIC PARTS (ENGLAND)

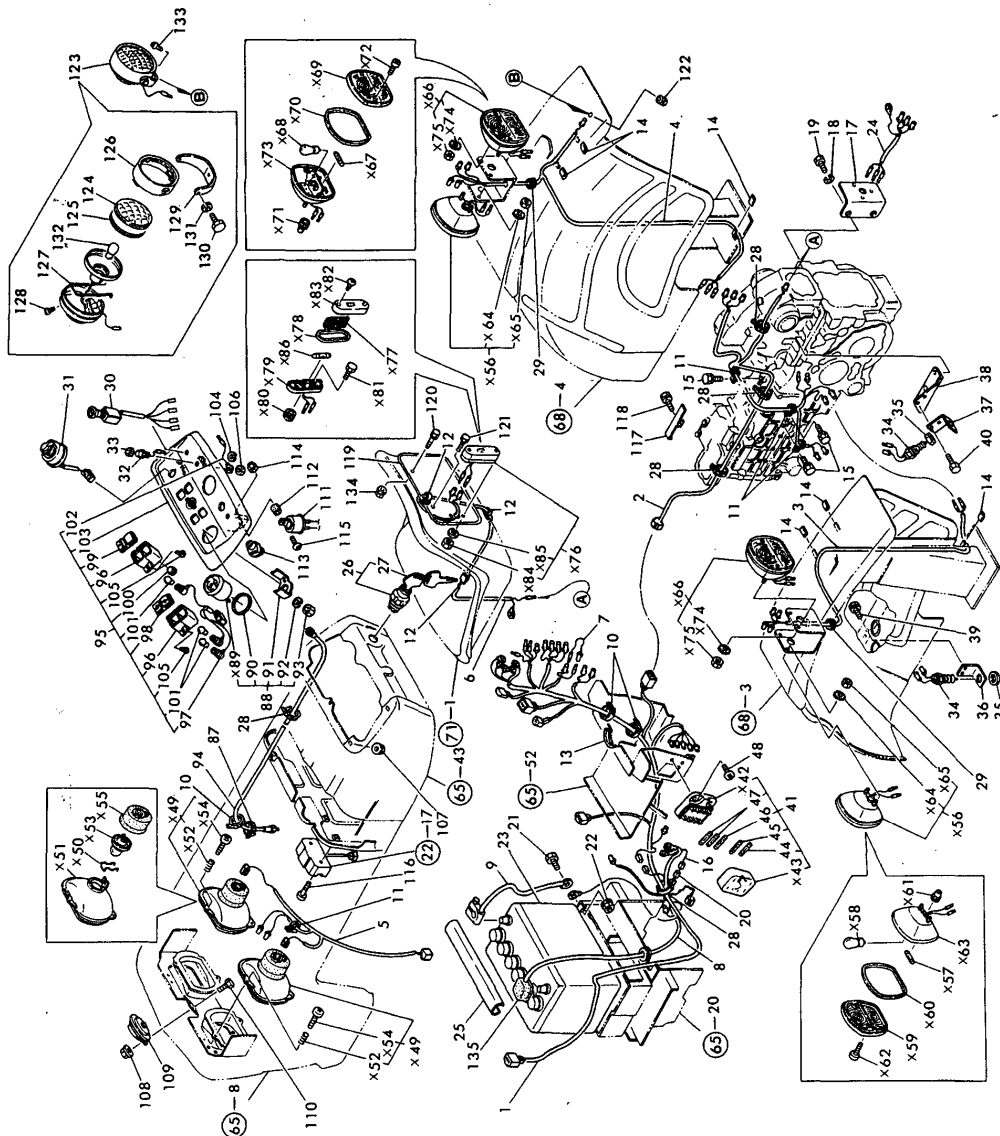


Fig. 61 ELECTRIC PARTS (England)

(A)=YM226
(B)=YM226D
(C)=*

(D)=*
(E)=*
(F)=*

| No. | Lev. | Parts No. | Description | Qty | | | | | | I | R |
|------|------|-----------------------------|-----------------------|-----|-----|-----|-----|-----|-----|---|---|
| | | | | (A) | (B) | (C) | (D) | (E) | (F) | | |
| 1 | 1 | 194436-51140 | HARNES, WIRE | 1 | 1 | | | | | | |
| 2 | 1 | 194436-51120 | HARNES (B), WIRE | 1 | 1 | | | | | | |
| 3 | 1 | 194324-51131 | HARNES (C), WIRE | 1 | 1 | | | | | | |
| 4 | 1 | 194324-51141 | HARNES (D), WIRE | 1 | 1 | | | | | | |
| 5 | 1 | 194448-51151 | HARNES (E), WIRE | 1 | 1 | | | | | | |
| 6 | 1 | 194436-51160 | HARNES, LAMP | 1 | 1 | | | | | | |
| 7 | 1 | 194446-51160 | WIRE, LEAD | 1 | 1 | | | | | | |
| 8 | 1 | 194080-51411 | CABLE, BATTERY | 1 | 1 | | | | | | |
| 9 | 1 | 194240-83420 | CABLE | 1 | 1 | | | | | | |
| 10 | 1 | 194250-51660 | BAND 250 | 3 | 3 | | | | | | |
| 11 | 1 | 194440-51630 | CLAMP, HARNES | 4 | 4 | | | | | | |
| 12 | 1 | 194242-51660 | CLAMP, WIRE HARNES | 3 | 3 | | | | | | |
| 13 | 1 | 194420-58820 | GROMMET, L=83 | 1 | 1 | | | | | | |
| 14 | 1 | 23061-070035 | PIPE, 7X 35 | 6 | 6 | | | | | | |
| 15 | 1 | 26014-060122 | BOLT, M6X 12 | 3 | 3 | | | | | | |
| 16 | 1 | 194312-51210 | WIRE, MAIN LEAD | 1 | 1 | | | | | | |
| 17 | 1 | 194436-51700-X | BRACKET, SOCKET | 1 | 1 | | | | | | |
| 18 | 1 | 22217-160000 | WASHER, SPRING 16 | 2 | 2 | | | | | | |
| 19 | 1 | 26116-160302 | BOLT, M16X 30 PLATED | 2 | 2 | | | | | | |
| 20 | 1 | 194550-51220 | LINK, FUSIBLE 0.85 | 1 | 1 | | | | | | |
| 21 | 1 | 26011-080162 | BOLT M 8X 16 | 1 | 1 | | | | | | |
| 21-1 | 1 | 26106-080162 | BOLT, M8X 16 PLATED | 1 | 1 | | | | | | N |
| | | (A=T/# 20793) (B=T/# 42307) | | | | | | | | | |
| 22 | 1 | 194990-22050 | NUT, M8 | 1 | 1 | | | | | | |
| 23 | 1 | 194432-51310 | BATTERY (DRN50Z), DRY | 1 | 1 | | | | | | |
| 24 | 1 | 194240-51820 | HARNES, SOCKET | 1 | 1 | | | | | | |
| 25 | 1 | 194432-51550 | COVER, BATTERY | 1 | 1 | | | | | | |
| 26 | 1 | 194322-52110 | SWITCH, STARTING | 1 | 1 | | | | | | |
| 27 | 2 | 194155-52190 | KEY | 2 | 2 | | | | | | |
| 28 | 1 | 121750-59890 | BAND, 140 | 6 | 6 | | | | | | |
| 29 | 1 | 194448-58811 | GROMMET, 15 | 2 | 2 | | | | | | |
| 30 | 1 | 194240-52120 | SWITCH, LIGHTING | 1 | 1 | | | | | | |
| 31 | 1 | 194170-52130 | SWITCH, TURN SIGNAL | 1 | 1 | | | | | | |
| 32 | 1 | 194150-52160 | SWITCH, HORN | 1 | 1 | | | | | | |
| 33 | 1 | 194150-52170 | CAP, SWITCH | 1 | 1 | | | | | | |
| 34 | 1 | 194440-52191 | SWITCH, SAFETY START | 2 | 2 | | | | | | |
| 35 | 1 | 194240-52210 | NUT, M22 | 2 | 2 | | | | | | |
| 36 | 1 | 194432-52220-X | STAY, SAFETY SWITCH | 1 | 1 | | | | | | |
| 37 | 1 | 194446-52230-X | STAY, SAFETY SWITCH | 1 | 1 | | | | | | |
| 38 | 1 | 194432-52241 | BRACKET, SWITCH STAY | 1 | 1 | | | | | | |
| 39 | 1 | 194155-05210 | BOLT, M6X16 | 2 | 2 | | | | | | |
| 40 | 1 | 26116-060162 | BOLT, M6X 16 PLATED | 2 | 2 | | | | | | |
| 41 | 1 | 194240-52400 | BOX ASSY, FUSE | 1 | 1 | | | | | | |
| 44 | 2 | 29411-050000 | FUSE, CARTRIDGE 5A | 1 | 1 | | | | | | |
| 45 | 2 | 29411-100000 | FUSE, CARTRIDGE 10A | 1 | 1 | | | | | | |
| 46 | 2 | 29411-150000 | FUSE, CARTRIDGE 15A | 1 | 1 | | | | | | |
| 47 | 2 | 29411-200000 | FUSE, CARTRIDGE 20A | 2 | 2 | | | | | | |
| 48 | 1 | 26587-060202 | SCREW, M6X20 | 2 | 2 | | | | | | |
| 49 | 1 | 194436-53100 | LAMP ASSY, HEAD | 2 | 2 | | | | | | |
| 50 | 2 | 194436-53120 | CLIP | 2 | 2 | | | | | | |
| 51 | 2 | 194436-53160 | BODY, LAMP | 2 | 2 | | | | | | |

Fig.61. ELECTRIC PARTS (ENGLAND)

(A)=YM226
(B)=YM226D
(C)=*

(D)=*
(E)=*
(F)=*

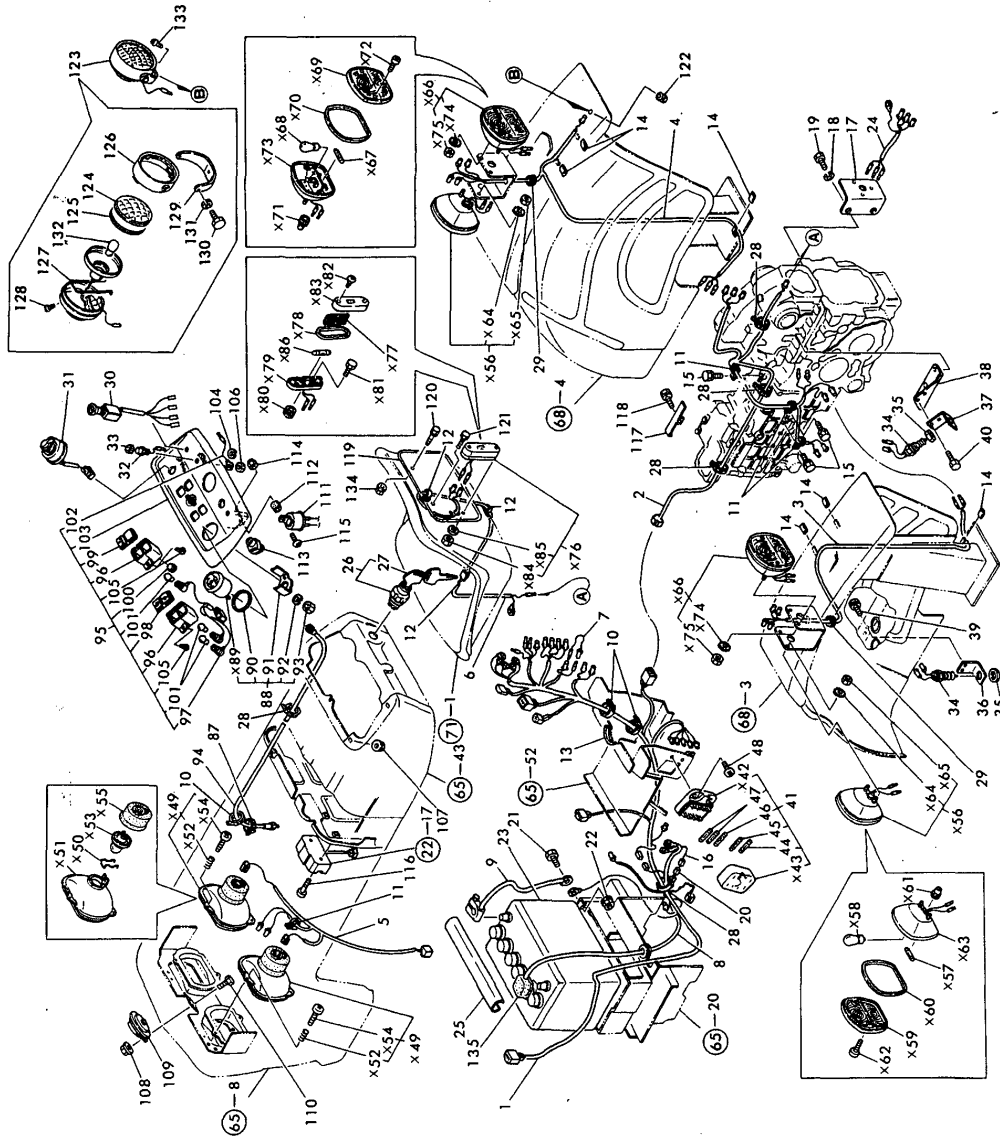


Fig. 61 ELECTRIC PARTS (England)

| No. | Lev. | Parts No. | Description | Qty | | | | | | I | R |
|-----|------|--------------|---------------------|-----|-----|-----|-----|-----|-----|---|---|
| | | | | (A) | (B) | (C) | (D) | (E) | (F) | | |
| 52 | 2 | 194436-53130 | SPRING | 6 | 6 | | | | | | |
| 53 | 2 | 194436-53110 | BULB 12V-45/40 | 2 | 2 | | | | | | |
| 54 | 2 | 194436-53140 | SCREW | 6 | 6 | | | | | | |
| 55 | 2 | 194436-53150 | BOOT, RUBBER | 2 | 2 | | | | | | |
| 56 | 1 | 194436-53600 | LAMP, CLEARANCE | 2 | 2 | | | | | | |
| 57 | 2 | 194436-53650 | BULB 12V-4W | 2 | 2 | | | | | | |
| 58 | 2 | 194436-53640 | BULB 12V-21W | 2 | 2 | | | | | | |
| 59 | 2 | 194436-53630 | LENS | 2 | 2 | | | | | | |
| 60 | 2 | 194436-53610 | GASKET | 2 | 2 | | | | | | |
| 61 | 2 | 194436-53620 | GROMMET | 2 | 2 | | | | | | |
| 62 | 2 | 26557-040202 | SCREW, M4X20 | 4 | 4 | | | | | | |
| 63 | 2 | 194436-53660 | BODY | 2 | 2 | | | | | | |
| 64 | 2 | 194436-53670 | WASHER 5 | 4 | 4 | | | | | | |
| 65 | 2 | 26716-050002 | NUT, M5 | 4 | 4 | | | | | | |
| 66 | 1 | 194436-53700 | LAMP, CLEARANCE | 2 | 2 | | | | | | |
| 67 | 2 | 194436-53650 | BULB 12V-4W | 2 | 2 | | | | | | |
| 68 | 2 | 194436-53640 | BULB 12V-21W | 2 | 2 | | | | | | |
| 69 | 2 | 194436-53710 | LENS | 2 | 2 | | | | | | |
| 70 | 2 | 194436-53610 | GASKET | 2 | 2 | | | | | | |
| 71 | 2 | 194436-53620 | GROMMET | 2 | 2 | | | | | | |
| 72 | 2 | 26557-040202 | SCREW, M4X20 | 4 | 4 | | | | | | |
| 73 | 2 | 194436-53660 | BODY | 2 | 2 | | | | | | |
| 74 | 2 | 194436-53670 | WASHER 5 | 4 | 4 | | | | | | |
| 75 | 2 | 26716-050002 | NUT, M5 | 4 | 4 | | | | | | |
| 76 | 1 | 194436-53800 | LAMP, LICENSE | 1 | 1 | | | | | | |
| 77 | 2 | 194436-53850 | LENS, LICENSE | 1 | 1 | | | | | | |
| 78 | 2 | 194436-53840 | GASKET | 1 | 1 | | | | | | |
| 79 | 2 | 194436-53810 | BODY | 1 | 1 | | | | | | |
| 80 | 2 | 194436-53860 | GROMMET, LICENSE | 1 | 1 | | | | | | |
| 81 | 2 | 26116-050162 | BOLT, M5X 16 PLATED | 2 | 2 | | | | | | |
| 82 | 2 | 194436-53820 | SCREW | 1 | 1 | | | | | | |
| 83 | 2 | 194436-53830 | COVER, PLATE | 1 | 1 | | | | | | |
| 84 | 2 | 26716-050002 | NUT, M5 | 2 | 2 | | | | | | |
| 85 | 2 | 22217-050000 | WASHER, SPRING 5 | 2 | 2 | | | | | | |
| 86 | 2 | 194436-53650 | BULB 12V-4W | 1 | 1 | | | | | | |
| 87 | 1 | 121750-59890 | BAND, 140 | 1 | 1 | | | | | | |
| 88 | 1 | 194432-56100 | METER ASSY, HOUR | 1 | 1 | | | | | | |
| 90 | 2 | 194432-56150 | RUBBER, BASE | 1 | 1 | | | | | | |
| 91 | 2 | 194432-56170 | WASHER | 1 | 1 | | | | | | |
| 92 | 2 | 22217-040000 | WASHER, SPRING 4 | 2 | 2 | | | | | | |
| 93 | 2 | 26716-040002 | NUT, M4 | 2 | 2 | | | | | | |
| 94 | 1 | 121400-91140 | SHAFT | 1 | 1 | | | | | | |
| 95 | 1 | 194432-61600 | DASHBOARD ASSY | 1 | 1 | | | | | | |
| 96 | 2 | 194170-55120 | BOX, PILOT | 2 | 2 | | | | | | |
| 97 | 2 | 194170-55130 | CORD | 1 | 1 | | | | | | |
| 98 | 2 | 194170-55150 | LENS, PILOT | 1 | 1 | | | | | | |
| 99 | 2 | 194170-55160 | LENS (B) | 1 | 1 | | | | | | |
| 100 | 2 | 194170-55170 | COVER | 1 | 1 | | | | | | |
| 101 | 2 | 194155-55820 | BULB, 12V1.7W | 3 | 3 | | | | | | |
| 102 | 2 | 194432-56130 | CORD | 1 | 1 | | | | | | |
| 103 | 2 | 194432-61610 | PANEL, DASHBOARD | 1 | 1 | | | | | | |

Fig.61. ELECTRIC PARTS (ENGLAND)

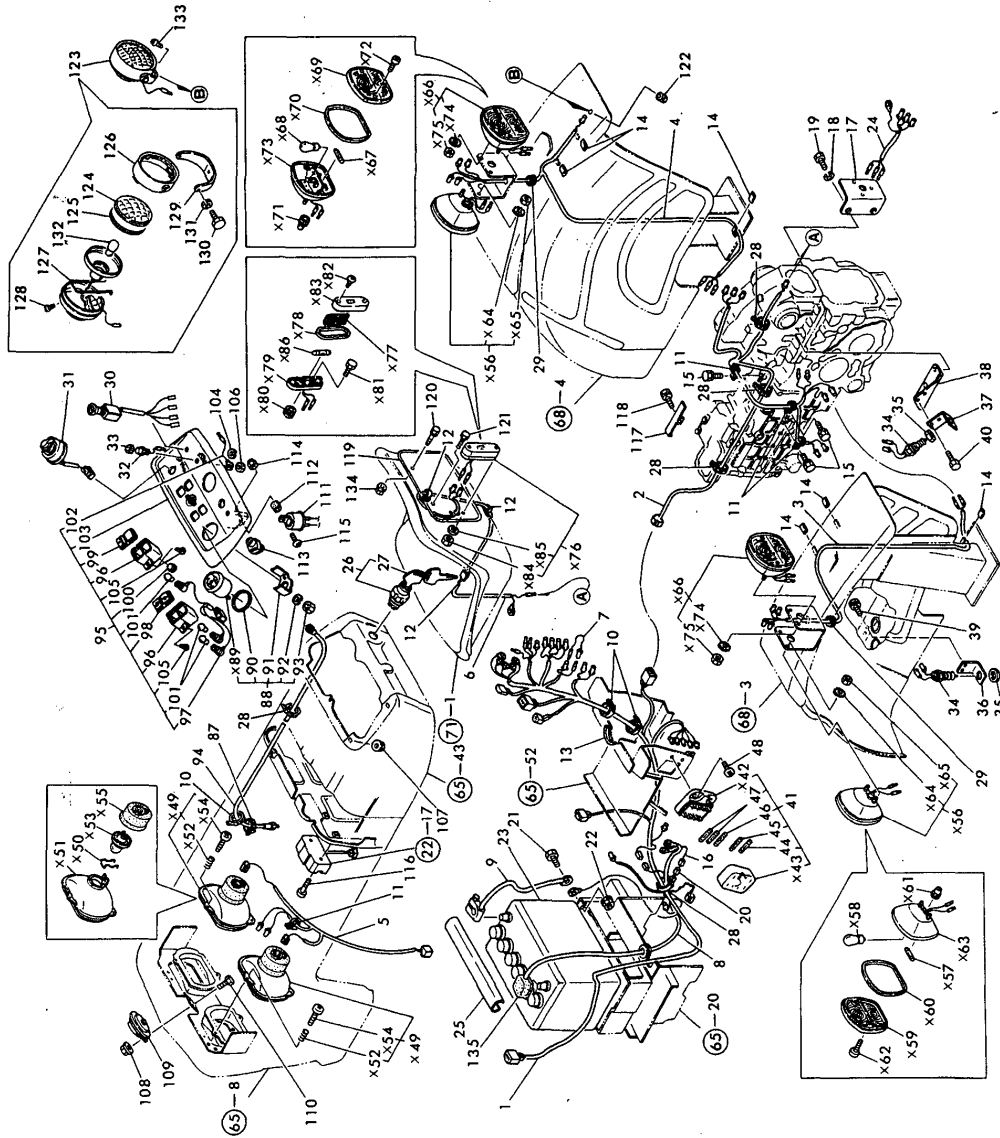


Fig. 61 ELECTRIC PARTS (England)

(A)=YM226
(B)=YM226D
(C)=*

(D)=*
(E)=*
(F)=*

| No. | Lev. | Parts No. | Description | Qty | | | | | | I | R |
|-------|------|-----------------------------|---------------------|-----|-----|-----|-----|-----|-----|---|---|
| | | | | (A) | (B) | (C) | (D) | (E) | (F) | | |
| 104 | 2 | 22217-080000 | WASHER, SPRING 8 | 2 | 2 | | | | | | |
| 105 | 2 | 22857-400120 | SCREW, 4X12 | 4 | 4 | | | | | | |
| 106 | 2 | 26716-080002 | NUT, M8 | 1 | 1 | | | | | | |
| 107 | 1 | 194990-22120 | NUT, M5 | 6 | 6 | | | | | | |
| 108 | 1 | 194990-22040 | NUT, M6 | 2 | 2 | | | | | | |
| 109 | 1 | 194340-57100 | HORN ASSY | 1 | 1 | | | | | | |
| 110 | 1 | 26116-060122 | BOLT, M6X 12 PLATED | 2 | 2 | | | | | | |
| 111 | 1 | 194080-57202 | RELAY | 1 | 1 | | | | | | |
| 112 | 1 | 194151-57210 | SPACER | 1 | 1 | | | | | | |
| 113 | 1 | 194464-57250 | RELAY, CHECK | 1 | 1 | | | | | | |
| 114 | 1 | 26346-050002 | NUT, M5 | 1 | 1 | | | | | | |
| 115 | 1 | 26557-050162 | SCREW, M5X16 | 1 | 1 | | | | | | |
| 116 | 1 | 26557-060122 | SCREW, M6X12 | 2 | 2 | | | | | | |
| 117 | 1 | 194432-27380 | STAY | 1 | 1 | | | | | | |
| 118 | 1 | 26013-080122 | BOLT, M8X 12 | 1 | 1 | | | | | | |
| 118-1 | 1 | 26106-080122 | BOLT, M8X 12 PLATED | 1 | 1 | | | | | | N |
| | | (A=T/# 20793) (B=T/# 42307) | | | | | | | | | |
| 119 | 1 | 194436-64510 | PLATE, LICENSE | 1 | 1 | | | | | | |
| 120 | 1 | 26014-060122 | BOLT, M6X 12 | 1 | 1 | | | | | | |
| 121 | 1 | 26116-060122 | BOLT, M6X 12 PLATED | 1 | 1 | | | | | | |
| 122 | 1 | 194990-22050 | NUT, M8 | 1 | 1 | | | | | | |
| 123 | 1 | 794081-54101 | LAMP ASSY, WORKING | 1 | 1 | | | | | | |
| 124 | 2 | 194081-54110 | LENS | 1 | 1 | | | | | | |
| 125 | 2 | 194081-54120 | GASKET | 1 | 1 | | | | | | |
| 126 | 2 | 194081-54131 | RIM | 1 | 1 | | | | | | |
| 127 | 2 | 194081-54151 | SPRING | 1 | 1 | | | | | | |
| 128 | 2 | 194081-54210 | SCREW | 1 | 1 | | | | | | |
| 129 | 2 | 194081-54221 | STAY | 1 | 1 | | | | | | |
| 130 | 2 | 194081-54230 | BOLT M6X 12 | 2 | 2 | | | | | | |
| 131 | 2 | 194081-54240 | SPRING WASHER 6 | 2 | 2 | | | | | | |
| 132 | 2 | 194081-55820 | BULB, 12V20W | 1 | 1 | | | | | | |
| 133 | 1 | 26587-080162 | SCREW, M8X16 | 1 | 1 | | | | | | |
| 134 | 1 | 194990-22130 | NUT, M6 | 1 | 1 | | | | | | |
| 135 | 1 | 194080-51430 | INSULATOR | 1 | 1 | | | | | | Z |
| | | (A=EXXX) (B=EXXX) | | | | | | | | | |

Fig.62. ELECTRIC PARTS (SCANDINAVIA)

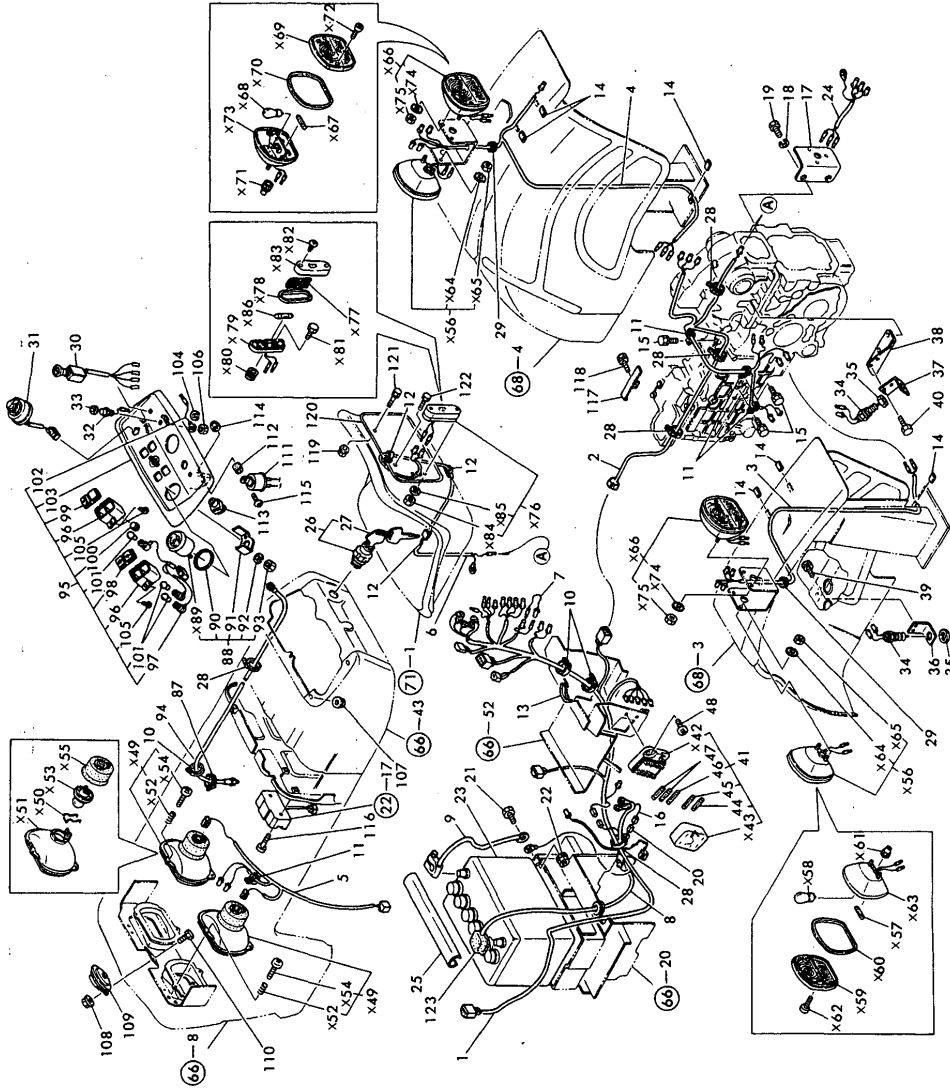


Fig. 62 ELECTRIC PARTS (Scandinavia)

(A)=YM226
(B)=YM226D
(C)=

(D)=
(E)=
(F)=

| No. | Lev. | Parts No. | Description | Qty | | | | | | I | R |
|-----|------|----------------|-----------------------|-----|-----|-----|-----|-----|-----|---|---|
| | | | | (A) | (B) | (C) | (D) | (E) | (F) | | |
| 1 | 1 | 194436-51140 | HARNES, WIRE | 1 | 1 | | | | | | |
| 2 | 1 | 194436-51120 | HARNES (B), WIRE | 1 | 1 | | | | | | |
| 3 | 1 | 194324-51131 | HARNES (C), WIRE | 1 | 1 | | | | | | |
| 4 | 1 | 194324-51141 | HARNES (D), WIRE | 1 | 1 | | | | | | |
| 5 | 1 | 194448-51151 | HARNES (E), WIRE | 1 | 1 | | | | | | |
| 6 | 1 | 194436-51160 | HARNES, LAMP | 1 | 1 | | | | | | |
| 7 | 1 | 194446-51160 | WIRE, LEAD | 1 | 1 | | | | | | |
| 8 | 1 | 194080-51411 | CABLE, BATTERY | 1 | 1 | | | | | | |
| 9 | 1 | 194240-83420 | CABLE | 1 | 1 | | | | | | |
| 10 | 1 | 194250-51660 | BAND 250 | 3 | 3 | | | | | | |
| 11 | 1 | 194440-51630 | CLAMP, HARNES | 4 | 4 | | | | | | |
| 12 | 1 | 194242-51660 | CLAMP, WIRE HARNES | 3 | 3 | | | | | | |
| 13 | 1 | 194420-58820 | GROMMET, L=83 | 1 | 1 | | | | | | |
| 14 | 1 | 23061-070035 | PIPE, 7X 35 | 6 | 6 | | | | | | |
| 15 | 1 | 26014-060122 | BOLT, M6X 12 | 3 | 3 | | | | | | |
| 16 | 1 | 194312-51210 | WIRE, MAIN LEAD | 1 | 1 | | | | | | |
| 17 | 1 | 194436-51700-X | BRACKET, SOCKET | 1 | 1 | | | | | | |
| 18 | 1 | 22217-160000 | WASHER, SPRING 16 | 2 | 2 | | | | | | |
| 19 | 1 | 26116-160302 | BOLT, M16X 30 PLATED | 2 | 2 | | | | | | |
| 20 | 1 | 194550-51220 | LINK, FUSIBLE 0.85 | 1 | 1 | | | | | | |
| 21 | 1 | 26011-080162 | BOLT M 8X 16 | 1 | 1 | | | | | | |
| 22 | 1 | 194990-22050 | NUT, M8 | 1 | 1 | | | | | | |
| 23 | 1 | 194432-51310 | BATTERY (DRN50Z), DRY | 1 | 1 | | | | | | |
| 24 | 1 | 194240-51820 | HARNES, SOCKET | 1 | 1 | | | | | | |
| 25 | 1 | 194432-51550 | COVER, BATTERY | 1 | 1 | | | | | | |
| 26 | 1 | 194322-52110 | SWITCH, STARTING | 1 | 1 | | | | | | |
| 27 | 2 | 194155-52190 | KEY | 2 | 2 | | | | | | |
| 28 | 1 | 121750-59890 | BAND, 140 | 6 | 6 | | | | | | |
| 29 | 1 | 194448-58811 | GROMMET, 15 | 2 | 2 | | | | | | |
| 30 | 1 | 194240-52120 | SWITCH, LIGHTING | 1 | 1 | | | | | | |
| 31 | 1 | 194170-52130 | SWITCH, TURN SIGNAL | 1 | 1 | | | | | | |
| 32 | 1 | 194150-52160 | SWITCH, HORN | 1 | 1 | | | | | | |
| 33 | 1 | 194150-52170 | CAP, SWITCH | 1 | 1 | | | | | | |
| 34 | 1 | 194440-52191 | SWITCH, SAFETY START | 2 | 2 | | | | | | |
| 35 | 1 | 194240-52210 | NUT, M22 | 2 | 2 | | | | | | |
| 36 | 1 | 194432-52220-X | STAY, SAFETY SWITCH | 1 | 1 | | | | | | |
| 37 | 1 | 194446-52230-X | STAY, SAFETY SWITCH | 1 | 1 | | | | | | |
| 38 | 1 | 194432-52241 | BRACKET, SWITCH STAY | 1 | 1 | | | | | | |
| 39 | 1 | 194155-05210 | BOLT, M6X16 | 2 | 2 | | | | | | |
| 40 | 1 | 26116-060162 | BOLT, M6X 16 PLATED | 2 | 2 | | | | | | |
| 41 | 1 | 194240-52400 | BOX ASSY, FUSE | 1 | 1 | | | | | | |
| 44 | 2 | 29411-050000 | FUSE, CARTRIDGE 5A | 1 | 1 | | | | | | |
| 45 | 2 | 29411-100000 | FUSE, CARTRIDGE 10A | 1 | 1 | | | | | | |
| 46 | 2 | 29411-150000 | FUSE, CARTRIDGE 15A | 1 | 1 | | | | | | |
| 47 | 2 | 29411-200000 | FUSE, CARTRIDGE 20A | 2 | 2 | | | | | | |
| 48 | 1 | 26587-060202 | SCREW, M6X20 | 2 | 2 | | | | | | |
| 87 | 1 | 121750-59890 | BAND, 140 | 1 | 1 | | | | | | |
| 88 | 1 | 194432-56100 | METER ASSY, HOUR | 1 | 1 | | | | | | |
| 90 | 2 | 194432-56150 | RUBBER, BASE | 1 | 1 | | | | | | |
| 91 | 2 | 194432-56170 | WASHER | 1 | 1 | | | | | | |
| 92 | 2 | 22217-040000 | WASHER, SPRING 4 | 2 | 2 | | | | | | |

Fig.62. ELECTRIC PARTS (SCANDINAVIA)

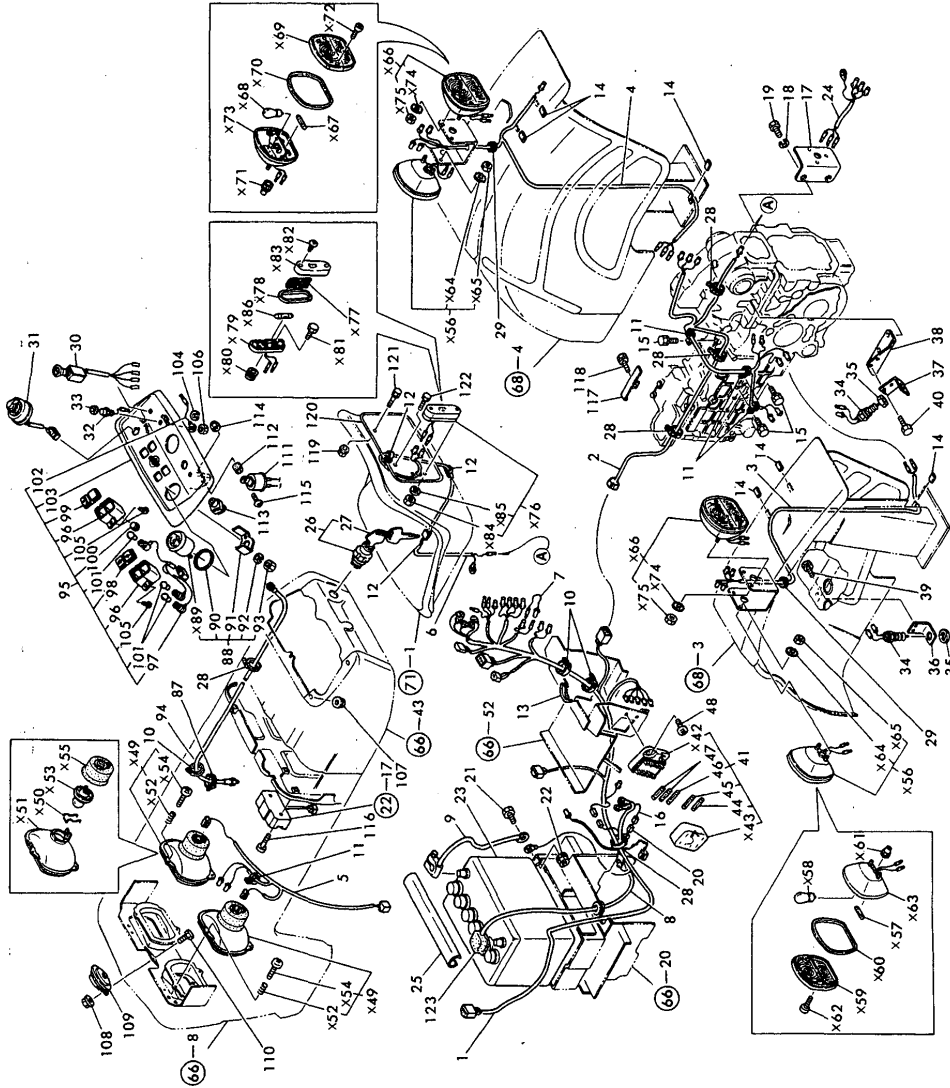


Fig. 62 ELECTRIC PARTS (Scandinavia)

(A)=YM226
(B)=YM226D
(C)=

(D)=
(E)=
(F)=

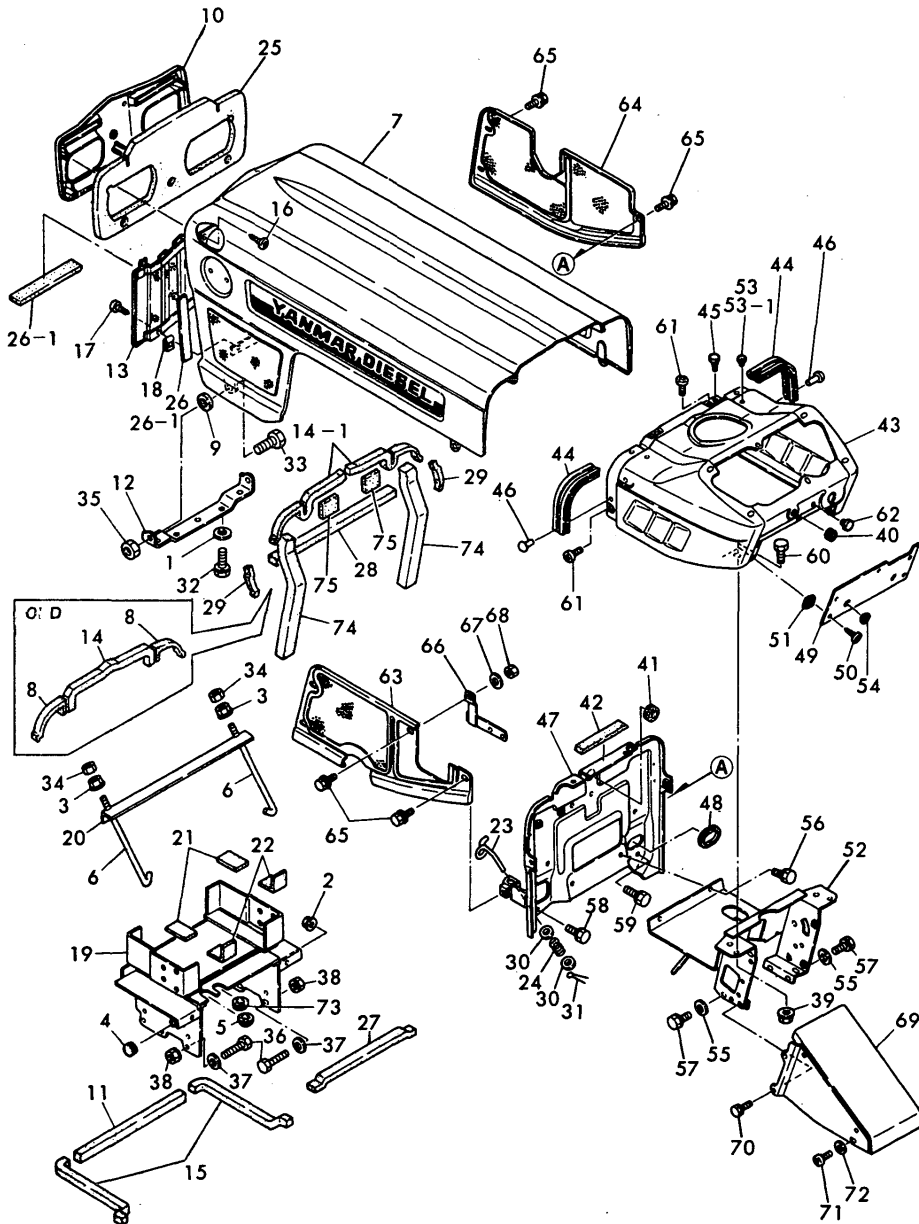
| No. | Lev. | Parts No. | Description | Qty | | | | | | I | R |
|-----|------|--------------|---------------------|-----|-----|-----|-----|-----|-----|---|---|
| | | | | (A) | (B) | (C) | (D) | (E) | (F) | | |
| 93 | 2 | 26716-040002 | NUT, M4 | 2 | 2 | | | | | | |
| 94 | 1 | 121400-91140 | SHAFT | 1 | 1 | | | | | | |
| 95 | 1 | 194432-61600 | DASHBOARD ASSY | 1 | 1 | | | | | | |
| 96 | 2 | 194170-55120 | BOX, PILOT | 2 | 2 | | | | | | |
| 97 | 2 | 194170-55130 | CORD | 1 | 1 | | | | | | |
| 98 | 2 | 194170-55150 | LENS, PILOT | 1 | 1 | | | | | | |
| 99 | 2 | 194170-55160 | LENS (B) | 1 | 1 | | | | | | |
| 100 | 2 | 194170-55170 | COVER | 1 | 1 | | | | | | |
| 101 | 2 | 194155-55820 | BULB, 12V1.7W | 3 | 3 | | | | | | |
| 102 | 2 | 194432-56130 | CORD | 1 | 1 | | | | | | |
| 103 | 2 | 194432-61610 | PANEL, DASHBOARD | 1 | 1 | | | | | | |
| 104 | 2 | 22217-080000 | WASHER, SPRING 8 | 2 | 2 | | | | | | |
| 105 | 2 | 22857-400120 | SCREW, 4X12 | 4 | 4 | | | | | | |
| 106 | 2 | 26716-080002 | NUT, M8 | 1 | 1 | | | | | | |
| 107 | 1 | 194990-22120 | NUT, M5 | 6 | 6 | | | | | | |
| 108 | 1 | 194990-22040 | NUT, M6 | 2 | 2 | | | | | | |
| 109 | 1 | 194340-57100 | HORN ASSY | 1 | 1 | | | | | | |
| 110 | 1 | 26116-060122 | BOLT, M6X 12 PLATED | 2 | 2 | | | | | | |
| 111 | 1 | 194080-57202 | RELAY | 1 | 1 | | | | | | |
| 112 | 1 | 194151-57210 | SPACER | 1 | 1 | | | | | | |
| 113 | 1 | 194464-57250 | RELAY, CHECK | 1 | 1 | | | | | | |
| 114 | 1 | 26346-050002 | NUT, M5 | 1 | 1 | | | | | | |
| 115 | 1 | 26557-050162 | SCREW, M5X16 | 1 | 1 | | | | | | |
| 116 | 1 | 26557-060122 | SCREW, M6X12 | 2 | 2 | | | | | | |
| 117 | 1 | 194432-27380 | STAY | 1 | 1 | | | | | | |
| 118 | 1 | 26013-080122 | BOLT, M8X 12 | 1 | 1 | | | | | | |
| 119 | 1 | 194990-22130 | NUT, M6 | 1 | 1 | | | | | | |
| 120 | 1 | 194436-64510 | PLATE, LICENSE | 1 | 1 | | | | | | |
| 121 | 1 | 26014-060122 | BOLT, M6X 12 | 1 | 1 | | | | | | |
| 122 | 1 | 26116-060122 | BOLT, M6X 12 PLATED | 1 | 1 | | | | | | |
| 123 | 1 | 194080-51430 | INSULATOR | 1 | 1 | | | | | | |

Fig.63. HOOD (U.S.A.)

(A)=YM226
(B)=YM226D
(C)=

(D)=
(E)=
(F)=

Fig. 63 HOOD (U.S.A.)



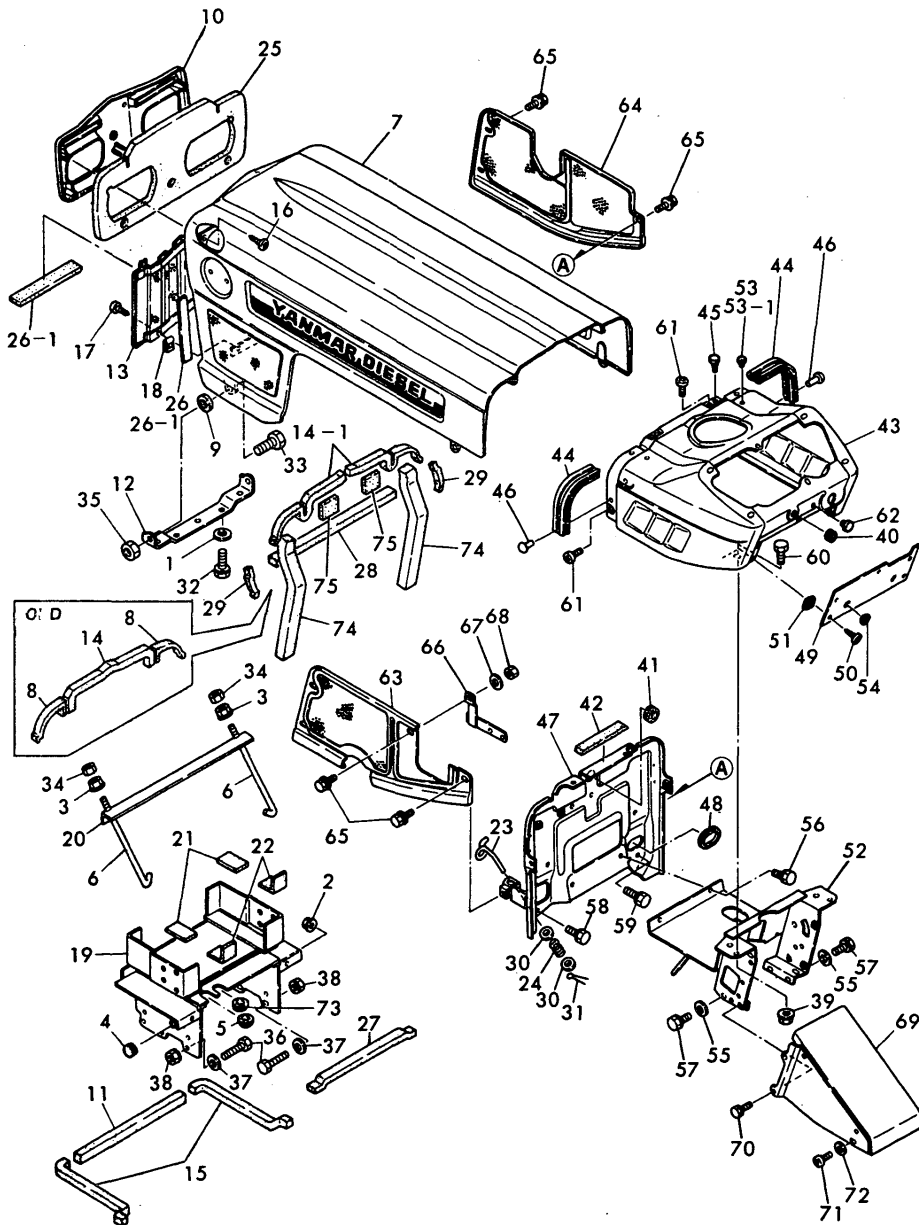
| No. | Lev. | Parts No. | Description | (A) | (B) | Q'ty | (D) | (E) | (F) | I | R |
|------|------|-----------------------------|----------------------|-----|-----|------|-----|-----|-----|---|-----|
| 1 | 1 | 194150-04810 | WASHER | 2 | 2 | | | | | | |
| 1-1 | 1 | 194145-61570 | WASHER, 10 | 2 | 2 | | | | | | N |
| | | (A=*1981.) (B=*1981.) | | | | | | | | | |
| 2 | 1 | 194990-22130 | NUT, M6 | 2 | 2 | | | | | | |
| 3 | 1 | 194990-22140 | NUT, M8 | 2 | 2 | | | | | | |
| 4 | 1 | 192060-46110 | CAP, RUBBER | 1 | 1 | | | | | | |
| 5 | 1 | 194275-51210 | GROMMET 25 | 1 | 1 | | | | | | Z |
| | | (A=*) (B=*) | | | | | | | | | |
| 6 | 1 | 194145-51570 | ROD, BATTERY CLAMP | 2 | 2 | | | | | | |
| 7 | 1 | 194432-61100-R | HOOD | 1 | 1 | | | | | | |
| 8 | 1 | 194440-61220 | PAD, (RUBBER) | 2 | 2 | | | | | | Z |
| | | (A=*) (B=*) | | | | | | | | | |
| 9 | 1 | 194190-61250 | GASKET | 2 | 2 | | | | | | |
| 10 | 1 | 194420-61250-Q | GRILLE, FRONT | 1 | 1 | | | | | | |
| 11 | 1 | 194322-61290 | PAD, (RUBBER) | 1 | 1 | | | | | | |
| 12 | 1 | 194440-61320-X | HINGE, HOOD | 1 | 1 | | | | | | |
| 13 | 1 | 194422-61371-Q | GRILLE, FRONT | 1 | 1 | | | | | | |
| 13-1 | 1 | 194446-61310-Q | GRILLE, FRONT LOWER | 1 | 1 | | | | | | N 1 |
| | | (A=*1982.10) (B=*1982.08) | | | | | | | | | |
| 14 | 1 | 194275-61480 | PAD, (RUBBER) | 1 | 1 | | | | | | |
| 14-1 | 1 | 194275-61480 | PAD, (RUBBER) | 2 | 2 | | | | | | K |
| | | (A=T/# 20584) (B=T/# 41024) | | | | | | | | | |
| 15 | 1 | 194464-61480 | PAD, (RUBBER) | 2 | 2 | | | | | | |
| 15-1 | 1 | 194432-61480 | PAD, (RUBBER) | 2 | 2 | | | | | | N |
| | | (A=*1981.) (B=*1981.) | | | | | | | | | |
| 16 | 1 | 194420-61640 | SCREW, TAPPING M5X16 | 5 | 5 | | | | | | |
| 17 | 1 | 194420-61640 | SCREW, TAPPING M5X16 | 2 | 2 | | | | | | |
| 17-1 | 1 | 194250-61640 | SCREW, TAPPING M5X12 | 2 | 2 | | | | | | N |
| | | (A=T/# 20703) (B=T/# 41778) | | | | | | | | | |
| 18 | 1 | 194145-61650 | NUT, SPEED M5 | 2 | 2 | | | | | | |
| 19 | 1 | 194432-61700-X | COVER ASSY, DUST | 1 | 1 | | | | | | |
| 20 | 1 | 194190-61750 | CLAMP, BATTERY | 1 | 1 | | | | | | |
| 21 | 1 | 194190-61761 | RUBBER, CUSHION | 2 | 2 | | | | | | |
| 22 | 1 | 194190-61780 | RUBBER, CUSHION | 2 | 2 | | | | | | |
| 23 | 1 | 194440-61820 | LEVER, BONNET LOCK | 2 | 2 | | | | | | |
| 24 | 1 | 194432-61830 | SPRING | 2 | 2 | | | | | | |
| 24-1 | 1 | 194440-61831 | SPRING, HOOD LOCK | 2 | 2 | | | | | | N |
| | | (A=*1980.) (B=*1980.) | | | | | | | | | |
| 25 | 1 | 194448-61910 | PAD, (RUBBER) | 1 | 1 | | | | | | |
| 25-1 | 1 | 194446-61910 | PAD, RUBBER | 1 | 1 | | | | | | N |
| | | (A=T/# 20686) (B=T/# 41496) | | | | | | | | | |
| 26 | 1 | 194446-61920 | PAD, (RUBBER) | 2 | 2 | | | | | | |
| 26-1 | 1 | 194312-61290 | PAD, RUBBER | 3 | 3 | | | | | | S 1 |
| | | (A=*1982.10) (B=*1982.10) | | | | | | | | | |
| 27 | 1 | 194446-61930 | PAD, (RUBBER) | 1 | 1 | | | | | | |
| 28 | 1 | 194432-61940 | PAD, RUBBER | 3 | 3 | | | | | | |
| 28-1 | 1 | 194432-61940 | PAD, RUBBER | 1 | 1 | | | | | | K |
| | | (A=*) (B=*) | | | | | | | | | |
| 29 | 1 | 194446-61950 | PAD, RUBBER | 2 | 2 | | | | | | |
| 30 | 1 | 22157-060000 | WASHER, 6 | 4 | 4 | | | | | | |
| 31 | 1 | 22417-200200 | PIN, COTTER 2.0X20 | 2 | 2 | | | | | | |

Fig.63. HOOD (U.S.A.)

(A)=YM226
(B)=YM226D
(C)=

(D)=
(E)=
(F)=

Fig. 63 HOOD (U.S.A.)



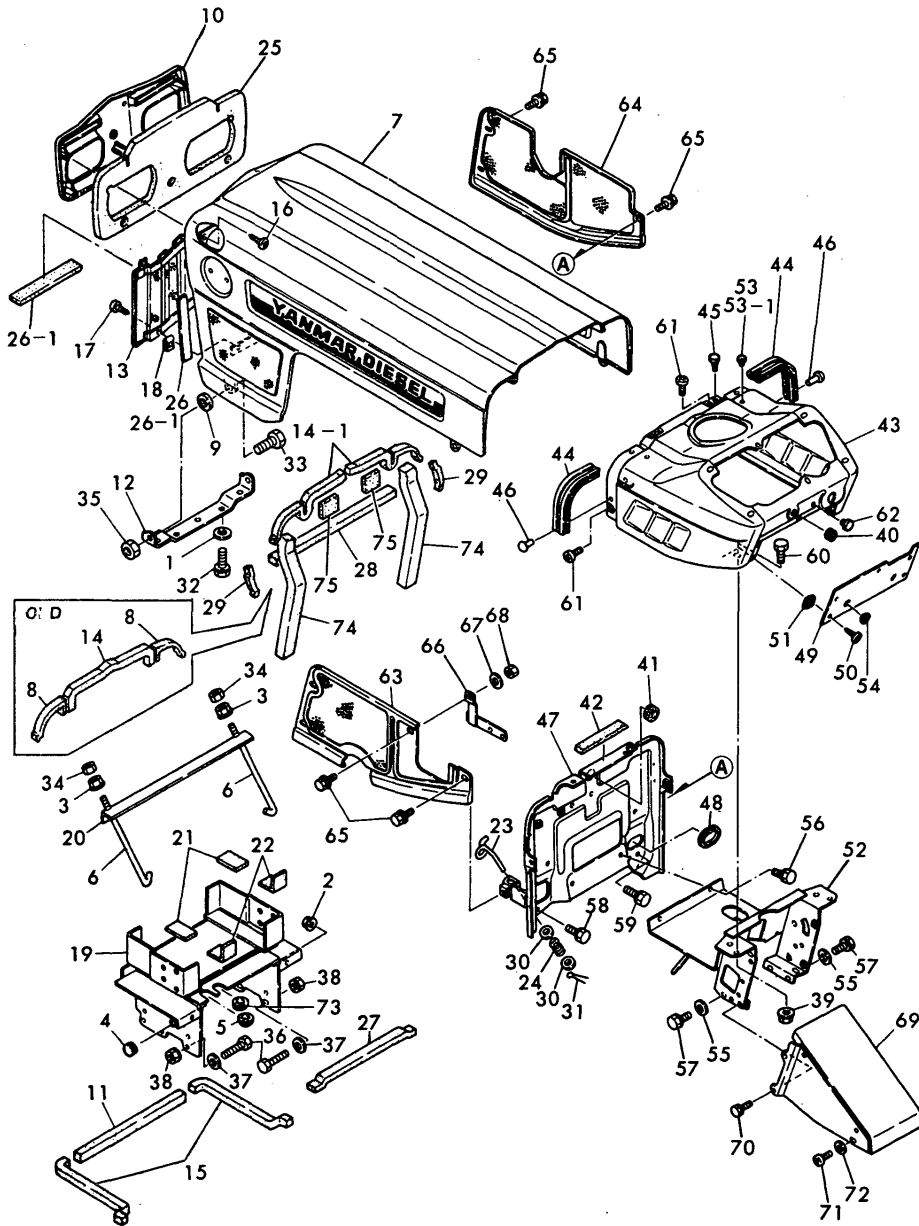
| No. | Lev. | Parts No. | Description | Q'ty | | | | | | I | R |
|------|------|-----------------------------|----------------------|------|-----|-----|-----|-----|-----|---|---|
| | | | | (A) | (B) | (C) | (D) | (E) | (F) | | |
| 32 | 1 | 26013-100202 | BOLT, M10X 20 | 2 | 2 | | | | | | |
| 32-1 | 1 | 26106-100202 | BOLT, M10X 20 PLATED | 2 | 2 | | | | | | N |
| | | (A=T/# 20793) (B=T/# 42307) | | | | | | | | | |
| 33 | 1 | 26116-120252 | BOLT, M12X 25 PLATED | 2 | 2 | | | | | | |
| 34 | 1 | 26716-080002 | NUT, M8 | 2 | 2 | | | | | | |
| 35 | 1 | 26716-120002 | NUT, M12 | 2 | 2 | | | | | | |
| 36 | 1 | 26116-080302 | BOLT, M8X 30 PLATED | 6 | 6 | | | | | | |
| 36-1 | 1 | 26106-080302 | BOLT, M8X 30 PLATED | 6 | 6 | | | | | | N |
| | | (A=T/# 20793) (B=T/# 42307) | | | | | | | | | |
| 37 | 1 | 22137-080000 | WASHER, 8 | 6 | 6 | | | | | | Z |
| | | (A=T/# 20793) (B=T/# 42307) | | | | | | | | | |
| 38 | 1 | 194990-22050 | NUT, M8 | 6 | 6 | | | | | | |
| 39 | 1 | 194990-22140 | NUT, M8 | 2 | 2 | | | | | | |
| 40 | 1 | 194080-58810 | GROMMET, 8 | 1 | 1 | | | | | | |
| 41 | 1 | 194162-58830 | GROMMET, 20 | 1 | 1 | | | | | | |
| 42 | 1 | 194440-61220 | PAD, (RUBBER) | 1 | 1 | | | | | | |
| 43 | 1 | 194430-61500-R | DASHBOARD ASSY | 1 | 1 | | | | | | |
| 44 | 1 | 194440-61550 | GASKET, BONNET | 2 | 2 | | | | | | |
| 45 | 1 | 194145-61560 | RUBBER, ABSORBER | 2 | 2 | | | | | | |
| 46 | 1 | 194190-61560 | RIVET, 5X6 | 4 | 4 | | | | | | |
| 47 | 1 | 194432-61570 | PLATE, AIR CUT | 1 | 1 | | | | | | |
| 48 | 1 | 194446-61580 | GROMMET, L=125 | 1 | 1 | | | | | | Z |
| | | (A=*) (B=*) | | | | | | | | | |
| 49 | 1 | 194446-61621-R | COVER, DASHBOARD | 1 | 1 | | | | | | |
| 50 | 1 | 194420-61640 | SCREW, TAPPING M5X16 | 5 | 5 | | | | | | |
| 51 | 1 | 194145-61650 | NUT, SPEED M5 | 5 | 5 | | | | | | |
| 52 | 1 | 194432-61660-X | STAY, DASHBOARD | 1 | 1 | | | | | | |
| 53 | 1 | 194446-62310 | CAP, RUBBER 8 | 2 | 2 | | | | | | |
| 53-1 | 1 | 194324-62310 | CAP, RUBBER 4.5 | 4 | 4 | | | | | | S |
| | | (A=T/# 20584) (B=T/# 41049) | | | | | | | | | |
| 54 | 1 | 194145-64430 | GROMMET, 12 | 2 | 2 | | | | | | |
| 55 | 1 | 22137-080000 | WASHER, 8 | 4 | 4 | | | | | | Z |
| | | (A=T/# 20584) (B=T/# 41049) | | | | | | | | | |
| 56 | 1 | 26013-080142 | BOLT, M8X 14 | 2 | 2 | | | | | | |
| 56-1 | 1 | 26013-080122 | BOLT, M8X 12 | 2 | 2 | | | | | | N |
| | | (A=*1982.12) (B=*1982.12) | | | | | | | | | |
| 56-2 | 1 | 26106-080122 | BOLT, M8X 12 PLATED | 2 | 2 | | | | | | N |
| | | (A=T/# 20793) (B=T/# 42307) | | | | | | | | | |
| 57 | 1 | 26013-080162 | BOLT, M8X 16 | 4 | 4 | | | | | | |
| 57-1 | 1 | 26014-080162 | BOLT, M8X 16 | 4 | 4 | | | | | | N |
| | | (A=T/# 20584) (B=T/# 41049) | | | | | | | | | |
| 57-2 | 1 | 26106-080122 | BOLT, M8X 12 PLATED | 4 | 4 | | | | | | N |
| | | (A=T/# 20793) (B=T/# 42307) | | | | | | | | | |
| 58 | 1 | 26013-080162 | BOLT, M8X 16 | 1 | 1 | | | | | | |
| 58-1 | 1 | 26106-080162 | BOLT, M8X 16 PLATED | 1 | 1 | | | | | | N |
| | | (A=T/# 20793) (B=T/# 42307) | | | | | | | | | |
| 59 | 1 | 26013-080252 | BOLT, M8X 25 | 1 | 1 | | | | | | |
| 59-1 | 1 | 26106-080252 | BOLT, M8X 25 PLATED | 1 | 1 | | | | | | N |
| | | (A=T/# 20793) (B=T/# 42307) | | | | | | | | | |
| 60 | 1 | 26116-080162 | BOLT, M8X 16 PLATED | 2 | 2 | | | | | | |
| 60-1 | 1 | 26011-080162 | BOLT M 8 X 16 | 2 | 2 | | | | | | N |

Fig.63. HOOD (U.S.A.)

(A)=YM226
(B)=YM226D
(C)=

(D)=
(E)=
(F)=

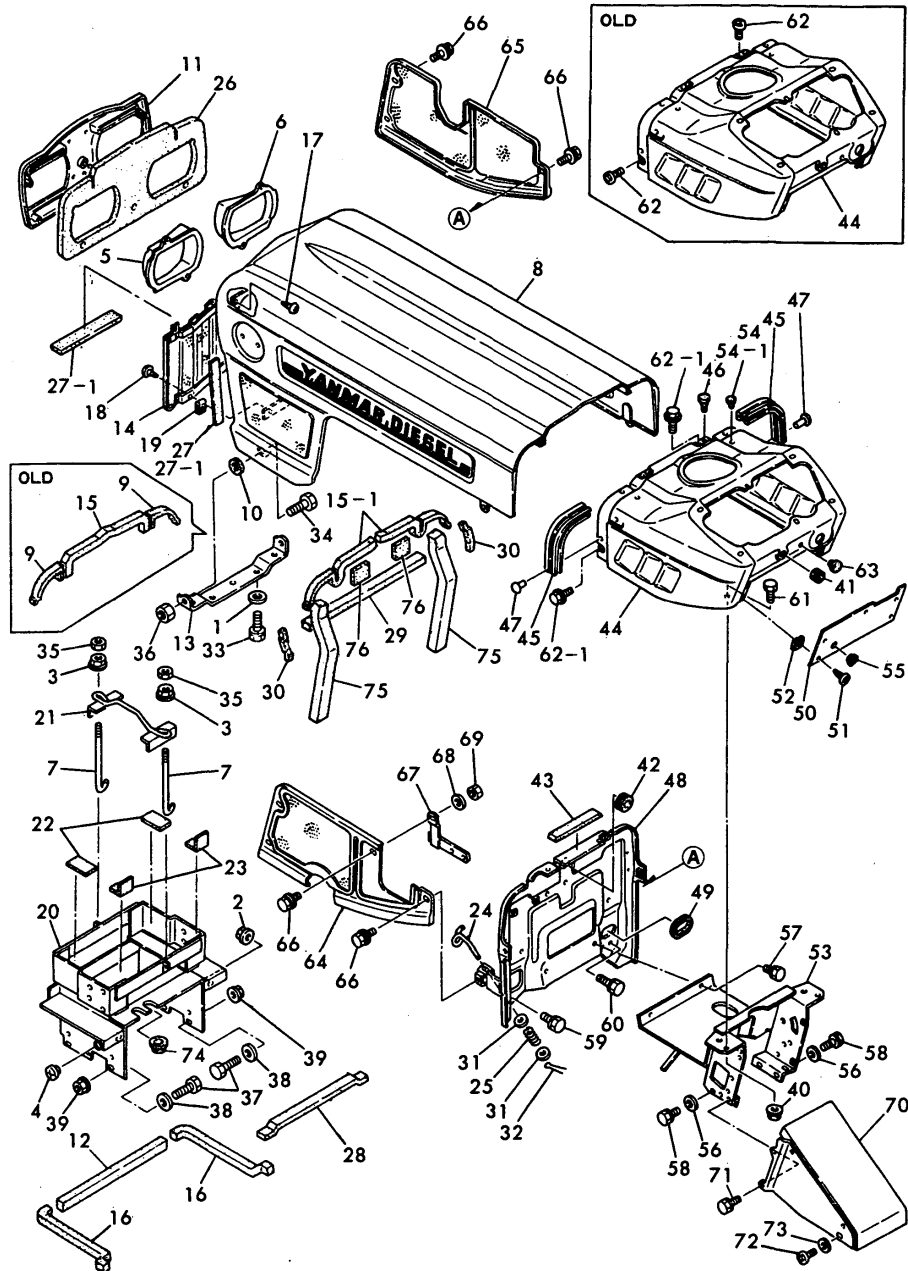
Fig. 63 HOOD (U.S.A.)



| No. | Lev. | Parts No. | Description | Q'ty | | | | | | I | R |
|------|------|---|---------------------|------|-----|-----|-----|-----|-----|---|---|
| | | | | (A) | (B) | (C) | (D) | (E) | (F) | | |
| 60-2 | 1 | (A=T/# 20584) (B=T/# 41049) 26106-080162 | BOLT, M8X 16 PLATED | 2 | 2 | | | | | | N |
| | | (A=T/# 20793) (B=T/# 42307) | | | | | | | | | |
| 61 | 1 | 26587-060162 | SCREW, M6X16 | 4 | 4 | | | | | | |
| 61-1 | 1 | 26011-060122 | BOLT M 6X 12 | 4 | 4 | | | | | | N |
| | | (A=") (B=") | | | | | | | | | |
| 61-2 | 1 | 26106-060122 | BOLT, M6X 12 PLATED | 4 | 4 | | | | | | N |
| | | (A=T/# 20793) (B=T/# 42307) | | | | | | | | | |
| 62 | 1 | 194275-62310 | CAP, RUBBER 10 | 1 | 1 | | | | | | |
| 63 | 1 | 194446-05110-R | COVER, BELT | 1 | 1 | | | | | | |
| 64 | 1 | 194446-05121-R | COVER, BELT | 1 | 1 | | | | | | |
| 65 | 1 | 194420-05210 | BOLT, M6X16 | 7 | 7 | | | | | | |
| 66 | 1 | 194446-05220 | STAY | 1 | 1 | | | | | | |
| 67 | 1 | 22157-060000 | WASHER, 6 | 1 | 1 | | | | | | |
| 68 | 1 | 26716-060002 | NUT, M6 | 2 | 2 | | | | | | |
| 69 | 1 | 194432-61670-X | COVER, GEAR BOX | 1 | 1 | | | | | | |
| 70 | 1 | 26013-060142 | BOLT, M6X 14 | 4 | 4 | | | | | | |
| 70-1 | 1 | 194155-05210 | BOLT, M6X16 | 4 | 4 | | | | | | N |
| 71 | 1 | (A=*1982.12) (B=*1982.12) 26557-050082 | SCREW, M5X 8 | 2 | 2 | | | | | | |
| | | | | | | | | | | | |
| 72 | 1 | 22137-050000 | WASHER, 5 | 2 | 2 | | | | | | |
| 73 | 1 | 194170-51210 | GROMMET 25 | 1 | 1 | | | | | | |
| 74 | 1 | 194432-61950 | PAD, (RUBBER) | 2 | 2 | | | | | | W |
| | | (A=*1981.) (B=*1981.) | | | | | | | | | |
| 75 | 1 | 194322-61430 | PAD, RUBBER | 2 | 2 | | | | | | W |
| | | (A=T/# 20670) (B=T/# 41387) | | | | | | | | | |

Fig.64. HOOD (FRANCE & EUROPE)

Fig. 64 HOOD (France & Europe)



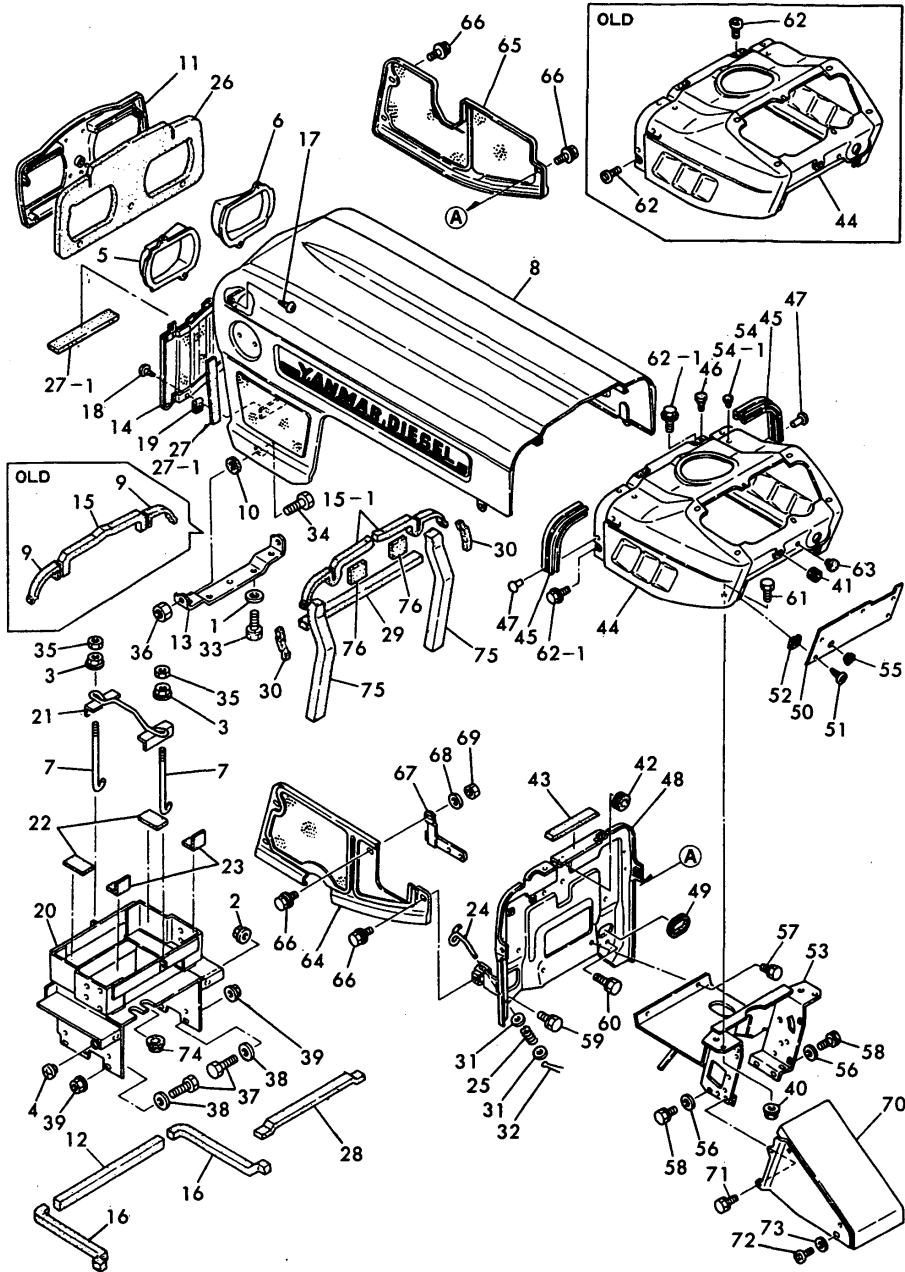
(A)=YM226
(B)=YM226D
(C)=

(D)=
(E)=
(F)=

| No. | Lev. | Parts No. | Description | Qty | | | | | | I | R |
|------|------|-----------------------------|----------------------|-----|-----|-----|-----|-----|-----|---|-----|
| | | | | (A) | (B) | (C) | (D) | (E) | (F) | | |
| 1 | 1 | 194145-61570 | WASHER, 10 | 2 | 2 | | | | | | |
| 2 | 1 | 194990-22130 | NUT, M6 | 2 | 2 | | | | | | |
| 3 | 1 | 194990-22140 | NUT, M8 | 2 | 2 | | | | | | |
| 4 | 1 | 192060-46110 | CAP, RUBBER | 1 | 1 | | | | | | |
| 5 | 1 | 194448-53350 | HOOD (L), HEAD LAMP | 1 | 1 | | | | | | |
| 6 | 1 | 194448-53360 | HOOD (R), HEAD LAMP | 1 | 1 | | | | | | |
| 7 | 1 | 194150-61740 | ROD, BATTERY CLAMP | 2 | 2 | | | | | | |
| 8 | 1 | 194432-61100-P | HOOD | 1 | 1 | | | | | | |
| 8-1 | 1 | 194436-61100-P | HOOD | 1 | 1 | | | | | | N |
| | | (A=*) (B=*) | | | | | | | | | |
| 9 | 1 | 194440-61220 | PAD, (RUBBER) | 2 | 2 | | | | | | Z |
| | | (A=*) (B=*) | | | | | | | | | |
| 10 | 1 | 194190-61250 | GASKET | 2 | 2 | | | | | | |
| 11 | 1 | 194420-61250-P | GRILLE, FRONT | 1 | 1 | | | | | | |
| 11-1 | 1 | 194448-61250-P | GRILLE, FRONT | 1 | 1 | | | | | | N |
| | | (A=*) (B=*) | | | | | | | | | |
| 12 | 1 | 194322-61290 | PAD, (RUBBER) | 1 | 1 | | | | | | |
| 13 | 1 | 194440-61320-X | HINGE, HOOD | 1 | 1 | | | | | | |
| 14 | 1 | 194422-61371-P | GRILLE, FRONT | 1 | 1 | | | | | | |
| 14-1 | 1 | 194446-61310-P | GRILLE, FRONT | 1 | 1 | | | | | | N 1 |
| | | (A=*1982.12) (B=*1982.12) | | | | | | | | | |
| 15 | 1 | 194275-61480 | PAD, (RUBBER) | 1 | 1 | | | | | | |
| 15-1 | 1 | 194275-61480 | PAD, (RUBBER) | 2 | 2 | | | | | | K |
| | | (A=T/# 20584) (B=T/# 41024) | | | | | | | | | |
| 16 | 1 | 194432-61480 | PAD, (RUBBER) | 2 | 2 | | | | | | |
| 17 | 1 | 194420-61640 | SCREW, TAPPING M5X16 | 5 | 5 | | | | | | |
| 18 | 1 | 194420-61640 | SCREW, TAPPING M5X16 | 2 | 2 | | | | | | |
| 18-1 | 1 | 194250-61640 | SCREW, TAPPING M5X12 | 2 | 2 | | | | | | N |
| | | (A=T/# 20703) (B=T/# 41778) | | | | | | | | | |
| 19 | 1 | 194145-61650 | NUT, SPEED M5 | 2 | 2 | | | | | | |
| 20 | 1 | 194436-61700-X | COVER, DUST | 1 | 1 | | | | | | |
| 21 | 1 | 194322-51560-U | CLAMP, BATTERY | 1 | 1 | | | | | | |
| 22 | 1 | 194190-61761 | RUBBER, CUSHION | 2 | 2 | | | | | | |
| 23 | 1 | 194190-61780 | RUBBER, CUSHION | 2 | 2 | | | | | | |
| 24 | 1 | 194440-61820 | LEVER, BONNET LOCK | 2 | 2 | | | | | | |
| 25 | 1 | 194432-61830 | SPRING | 2 | 2 | | | | | | |
| 25-1 | 1 | 194440-61831 | SPRING, HOOD LOCK | 2 | 2 | | | | | | N |
| | | (A=*1980.) (B=*1980.) | | | | | | | | | |
| 26 | 1 | 194448-61910 | PAD, (RUBBER) | 1 | 1 | | | | | | |
| 27 | 1 | 194446-61920 | PAD, (RUBBER) | 2 | 2 | | | | | | |
| 27-1 | 1 | 194312-61290 | PAD, RUBBER | 3 | 3 | | | | | | S 1 |
| | | (A=*1982.10) (B=*1982.10) | | | | | | | | | |
| 28 | 1 | 194446-61930 | PAD, (RUBBER) | 1 | 1 | | | | | | |
| 29 | 1 | 194432-61940 | PAD, RUBBER | 1 | 1 | | | | | | |
| 30 | 1 | 194446-61950 | PAD, RUBBER | 2 | 2 | | | | | | |
| 31 | 1 | 22157-060000 | WASHER, 6 | 4 | 4 | | | | | | |
| 32 | 1 | 22417-200200 | PIN, COTTER 2.0X20 | 2 | 2 | | | | | | |
| 33 | 1 | 26013-100202 | BOLT, M10X 20 | 2 | 2 | | | | | | |
| 34 | 1 | 26116-120252 | BOLT, M12X 25 PLATED | 2 | 2 | | | | | | |
| 35 | 1 | 26716-080002 | NUT, M8 | 2 | 2 | | | | | | |
| 36 | 1 | 26716-120002 | NUT, M12 | 2 | 2 | | | | | | |

Fig.64. HOOD (FRANCE & EUROPE)

Fig. 64 HOOD (France & Europe)



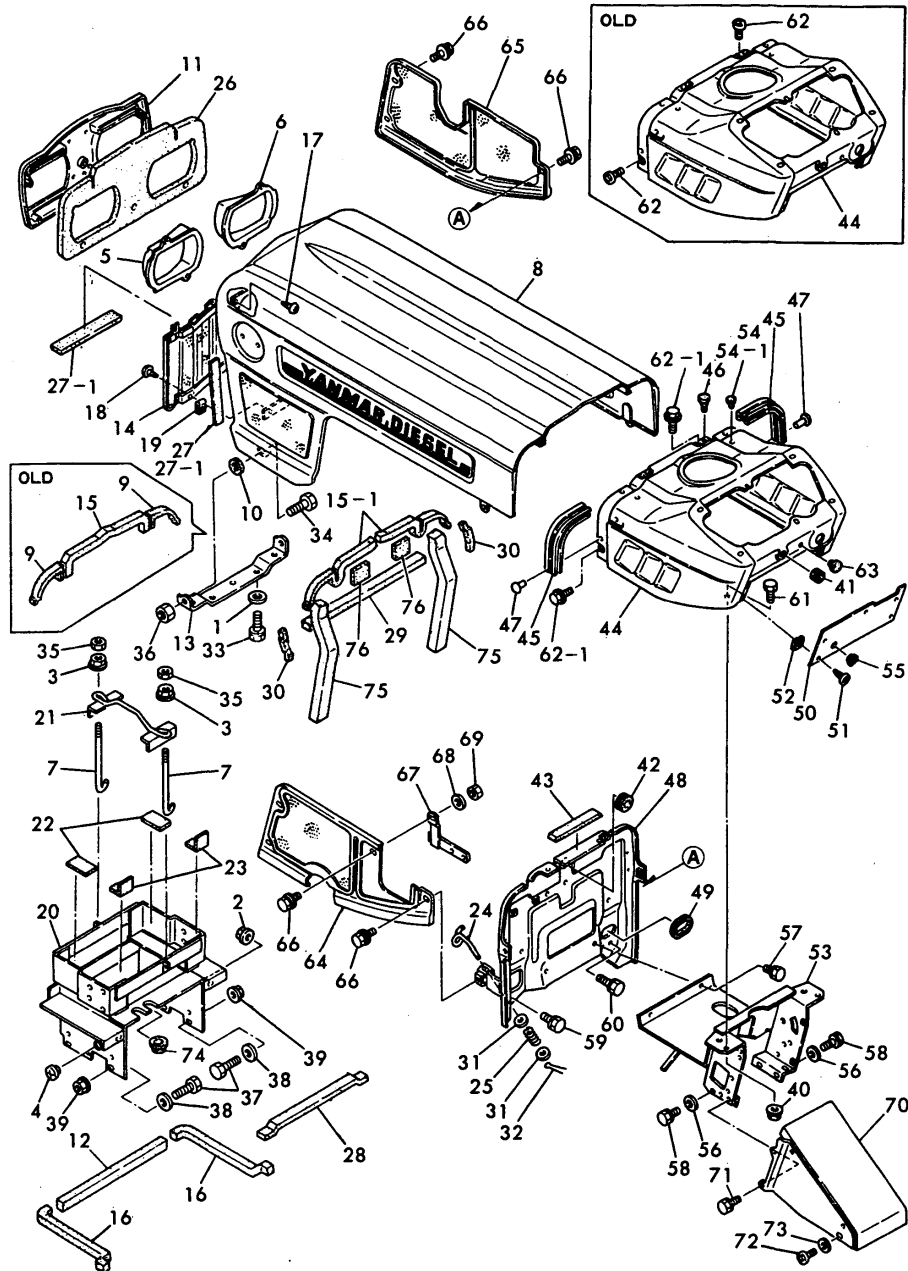
(A)=YM226
(B)=YM226D
(C)=

(D)=
(E)=
(F)=

| No. | Lev. | Parts No. | Description | Qty | | | | | | I | R |
|------|------|-----------------------------|----------------------|-----|-----|-----|-----|-----|-----|---|---|
| | | | | (A) | (B) | (C) | (D) | (E) | (F) | | |
| 37 | 1 | 26116-080302 | BOLT, M8X 30 PLATED | 6 | 6 | | | | | | |
| 38 | 1 | 22137-080000 | WASHER, 8 | 6 | 6 | | | | | | |
| 39 | 1 | 194990-22050 | NUT, M8 | 6 | 6 | | | | | | |
| 40 | 1 | 194990-22140 | NUT, M8 | 2 | 2 | | | | | | |
| 41 | 1 | 194080-58810 | GROMMET, 8 | 1 | 1 | | | | | | |
| 42 | 1 | 194162-58830 | GROMMET, 20 | 1 | 1 | | | | | | |
| 43 | 1 | 194440-61220 | PAD, (RUBBER) | 1 | 1 | | | | | | |
| 44 | 1 | 194430-61500-P | DASHBOARD ASSY | 1 | 1 | | | | | | |
| 45 | 1 | 194440-61550 | GASKET, BONNET | 2 | 2 | | | | | | |
| 46 | 1 | 194145-61560 | RUBBER, ABSORBER | 2 | 2 | | | | | | |
| 47 | 1 | 194190-61560 | RIVET, 5X6 | 4 | 4 | | | | | | |
| 48 | 1 | 194432-61570 | PLATE, AIR CUT | 1 | 1 | | | | | | |
| 49 | 1 | 194446-61580 | GROMMET, L=125 | 1 | 1 | | | | | | Z |
| | | (A=*) (B=*) | | | | | | | | | |
| 50 | 1 | 194446-61621-P | COVER, DASHBOARD | 1 | 1 | | | | | | |
| 51 | 1 | 194420-61640 | SCREW, TAPPING M5X16 | 5 | 5 | | | | | | |
| 52 | 1 | 194145-61650 | NUT, SPEED M5 | 5 | 5 | | | | | | |
| 53 | 1 | 194432-61660-X | STAY, DASHBOARD | 1 | 1 | | | | | | |
| 54 | 1 | 194446-62310 | CAP, RUBBER 8 | 2 | 2 | | | | | | |
| 54-1 | 1 | 194324-62310 | CAP, RUBBER 4.5 | 4 | 4 | | | | | | S |
| | | (A=T/# 20584) (B=T/# 41049) | | | | | | | | | |
| 55 | 1 | 194145-64430 | GROMMET, 12 | 2 | 2 | | | | | | |
| 56 | 1 | 22137-080000 | WASHER, 8 | 4 | 4 | | | | | | Z |
| | | (A=T/# 20584) (B=T/# 41049) | | | | | | | | | |
| 57 | 1 | 26013-080142 | BOLT, M8X 14 | 2 | 2 | | | | | | |
| 57-1 | 1 | 26013-080122 | BOLT, M8X 12 | 2 | 2 | | | | | | N |
| | | (A=*1982.12) (B=*1982.12) | | | | | | | | | |
| 57-2 | 1 | 26106-080122 | BOLT, M8X 12 PLATED | 2 | 2 | | | | | | N |
| | | (A=T/# 20793) (B=T/# 42307) | | | | | | | | | |
| 58 | 1 | 26013-080162 | BOLT, M8X 16 | 4 | 4 | | | | | | |
| 58-1 | 1 | 26014-080162 | BOLT, M8X 16 | 4 | 4 | | | | | | N |
| | | (A=T/# 20584) (B=T/# 41049) | | | | | | | | | |
| 58-2 | 1 | 26106-080122 | BOLT, M8X 12 PLATED | 4 | 4 | | | | | | N |
| | | (A=T/# 20793) (B=T/# 42307) | | | | | | | | | |
| 59 | 1 | 26013-080162 | BOLT, M8X 16 | 1 | 1 | | | | | | |
| 59-1 | 1 | 26106-080162 | BOLT, M8X 16 PLATED | 1 | 1 | | | | | | N |
| | | (A=T/# 20793) (B=T/# 42307) | | | | | | | | | |
| 60 | 1 | 26013-080252 | BOLT, M8X 25 | 1 | 1 | | | | | | |
| 60-1 | 1 | 26106-080252 | BOLT, M8X 25 PLATED | 1 | 1 | | | | | | N |
| | | (A=T/# 20793) (B=T/# 42307) | | | | | | | | | |
| 61 | 1 | 26116-080162 | BOLT, M8X 16 PLATED | 2 | 2 | | | | | | |
| 61-1 | 1 | 26011-080162 | BOLT M 8X 16 | 2 | 2 | | | | | | N |
| | | (A=T/# 20584) (B=T/# 41049) | | | | | | | | | |
| 61-2 | 1 | 26106-080162 | BOLT, M8X 16 PLATED | 2 | 2 | | | | | | N |
| | | (A=T/# 20793) (B=T/# 42307) | | | | | | | | | |
| 62 | 1 | 26587-060162 | SCREW, M6X16 | 4 | 4 | | | | | | |
| 62-1 | 1 | 26011-060122 | BOLT M 6X 12 | 4 | 4 | | | | | | N |
| | | (A=*) (B=*) | | | | | | | | | |
| 62-2 | 1 | 26106-060122 | BOLT, M6X 12 PLATED | 4 | 4 | | | | | | N |
| | | (A=T/# 20793) (B=T/# 42307) | | | | | | | | | |
| 63 | 1 | 194275-62310 | CAP, RUBBER 10 | 1 | 1 | | | | | | |

Fig.64. HOOD (FRANCE & EUROPE)

Fig. 64 HOOD (France & Europe)



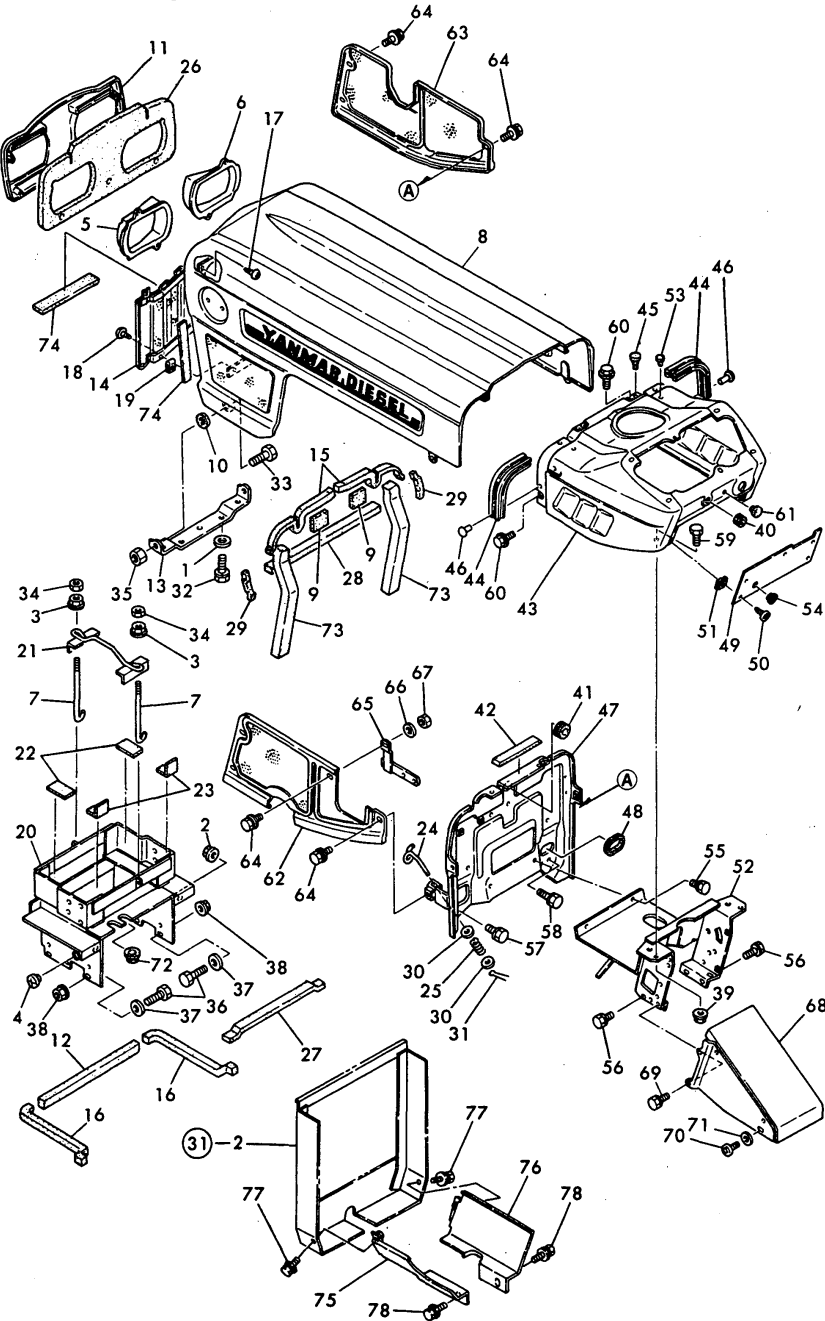
(A)=YM226
(B)=YM226D
(C)=

(D)=
(E)=
(F)=

| No. | Lev. | Parts No. | Description | Q'ty | | | | | | I | R |
|-----------------------------|------|----------------|-----------------|------|-----|-----|-----|-----|-----|---|---|
| | | | | (A) | (B) | (C) | (D) | (E) | (F) | | |
| 64 | 1 | 194446-05110-P | COVER, BELT | 1 | 1 | | | | | | |
| 65 | 1 | 194446-05121-P | COVER, BELT | 1 | 1 | | | | | | |
| 66 | 1 | 194420-05210 | BOLT, M6X16 | 7 | 7 | | | | | | |
| 67 | 1 | 194446-05220 | STAY | 1 | 1 | | | | | | |
| 68 | 1 | 22157-060000 | WASHER, 6 | 1 | 1 | | | | | | |
| 69 | 1 | 26716-060002 | NUT, M6 | 2 | 2 | | | | | | |
| 70 | 1 | 194432-61670-X | COVER, GEAR BOX | 1 | 1 | | | | | | |
| 71 | 1 | 26013-060142 | BOLT, M6X 14 | 4 | 4 | | | | | | |
| 71-1 | 1 | 194155-05210 | BOLT, M6X16 | 4 | 4 | | | | | | N |
| (A)=*1982.12) (B)=*1982.12) | | | | | | | | | | | |
| 72 | 1 | 26557-050082 | SCREW, M5X 8 | 2 | 2 | | | | | | |
| 73 | 1 | 22137-050000 | WASHER, 5 | 2 | 2 | | | | | | |
| 74 | 1 | 194170-51210 | GROMMET 25 | 1 | 1 | | | | | | |
| 75 | 1 | 194432-61950 | PAD, (RUBBER) | 2 | 2 | | | | | | |
| 76 | 1 | 194322-61430 | PAD, RUBBER | 2 | 2 | | | | | | W |
| (A=T/# 20670) (B=T/# 41387) | | | | | | | | | | | |

Fig.65. HOOD (ENGLAND)

Fig. 65 HOOD (England)



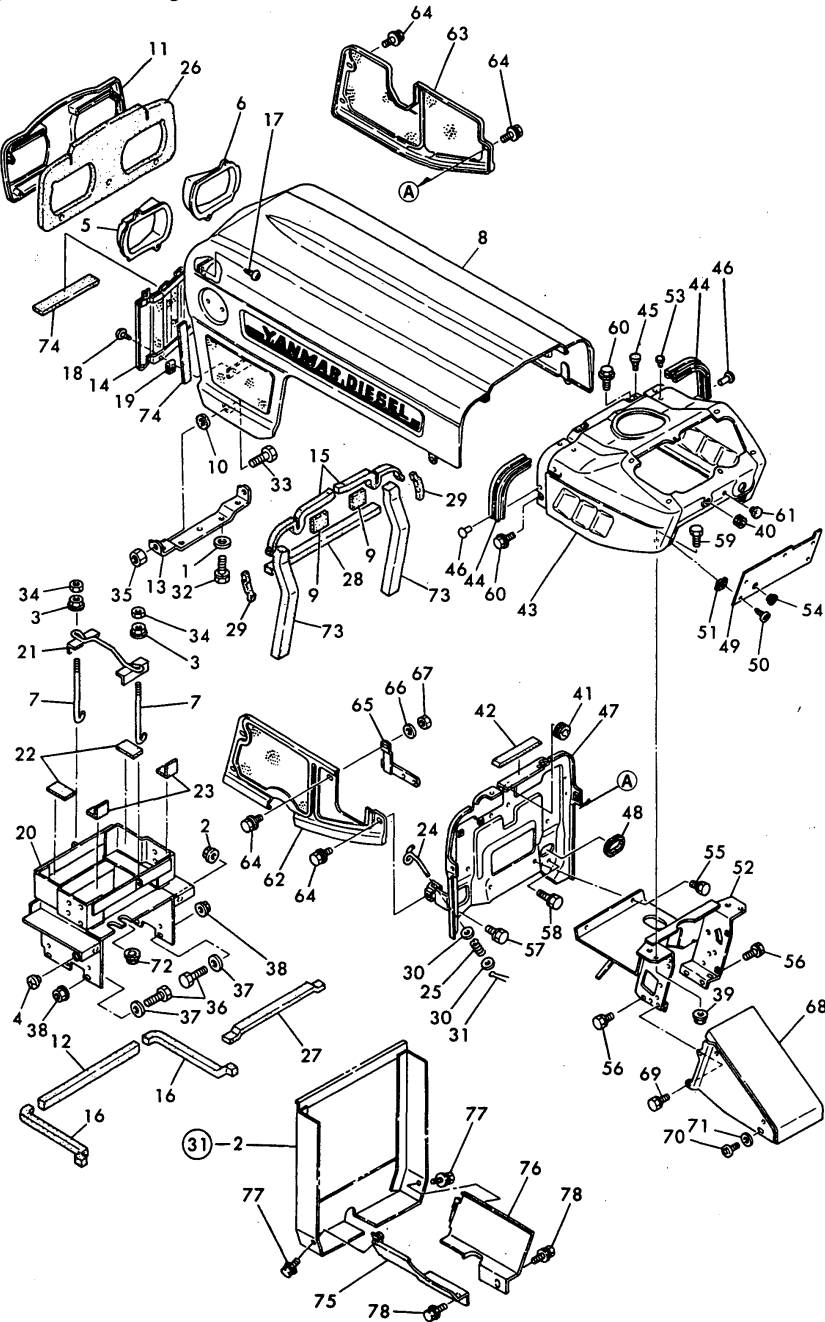
(A)=YM226
(B)=YM226D
(C)=

(D)=
(E)=
(F)=

| No. | Lev. | Parts No. | Description | Q'ty | | | | | | I | R |
|-------------------|------|----------------|----------------------|------|-----|-----|-----|-----|-----|---|---|
| | | | | (A) | (B) | (C) | (D) | (E) | (F) | | |
| 1 | 1 | 194145-61570 | WASHER, 10 | 2 | 2 | | | | | | |
| 2 | 1 | 194990-22130 | NUT, M6 | 2 | 2 | | | | | | |
| 3 | 1 | 194990-22140 | NUT, M8 | 2 | 2 | | | | | | |
| 4 | 1 | 192060-46110 | CAP, RUBBER | 1 | 1 | | | | | | |
| 5 | 1 | 194448-53350 | HOOD (L), HEAD LAMP | 1 | 1 | | | | | | |
| 6 | 1 | 194448-53360 | HOOD (R), HEAD LAMP | 1 | 1 | | | | | | |
| 7 | 1 | 194150-61740 | ROD, BATTERY CLAMP | 2 | 2 | | | | | | |
| 8 | 1 | 194436-61100 | BONNET ASSY | 1 | 1 | | | | | | |
| 9 | 1 | 194322-61430 | PAD, RUBBER | 2 | 2 | | | | | | |
| 10 | 1 | 194190-61250 | GASKET | 2 | 2 | | | | | | |
| 11 | 1 | 194448-61250 | GRILLE, FRONT | 1 | 1 | | | | | | |
| 12 | 1 | 194322-61290 | PAD, (RUBBER) | 1 | 1 | | | | | | |
| 13 | 1 | 194440-61320 | HINGE, HOOD | 1 | 1 | | | | | | |
| 14 | 1 | 194446-61310 | GRILLE, FRONT LOWER | 1 | 1 | | | | | | |
| 15 | 1 | 194275-61480 | PAD, (RUBBER) | 2 | 2 | | | | | | |
| 16 | 1 | 194432-61480 | PAD, (RUBBER) | 2 | 2 | | | | | | |
| 17 | 1 | 194420-61640 | SCREW, TAPPING M5X16 | 5 | 5 | | | | | | |
| 18 | 1 | 194250-61640 | SCREW, TAPPING M5X12 | 2 | 2 | | | | | | |
| 19 | 1 | 194145-61650 | NUT, SPEED M5 | 2 | 2 | | | | | | |
| 20 | 1 | 194436-61700-X | COVER, DUST | 1 | 1 | | | | | | |
| 21 | 1 | 194322-51560-U | CLAMP, BATTERY | 1 | 1 | | | | | | |
| 22 | 1 | 194190-61761 | RUBBER, CUSHION | 2 | 2 | | | | | | |
| 23 | 1 | 194190-61780 | RUBBER, CUSHION | 2 | 2 | | | | | | |
| 24 | 1 | 194440-61820 | LEVER, BONNET LOCK | 2 | 2 | | | | | | |
| 25 | 1 | 194440-61831 | SPRING, HOOD LOCK | 2 | 2 | | | | | | |
| 26 | 1 | 194448-61910 | PAD, (RUBBER) | 1 | 1 | | | | | | |
| 27 | 1 | 194446-61930 | PAD, (RUBBER) | 1 | 1 | | | | | | |
| 28 | 1 | 194432-61940 | PAD, RUBBER | 1 | 1 | | | | | | |
| 29 | 1 | 194446-61950 | PAD, RUBBER | 2 | 2 | | | | | | |
| 30 | 1 | 22157-060000 | WASHER, 6 | 4 | 4 | | | | | | |
| 31 | 1 | 22417-200200 | PIN, COTTER 2.0X20 | 2 | 2 | | | | | | |
| 32 | 1 | 26013-100202 | BOLT, M10X 20 | 2 | 2 | | | | | | |
| 33 | 1 | 26116-120252 | BOLT, M12X 25 PLATED | 2 | 2 | | | | | | |
| 34 | 1 | 26716-080002 | NUT, M8 | 2 | 2 | | | | | | |
| 35 | 1 | 26716-120002 | NUT, M12 | 2 | 2 | | | | | | |
| 36 | 1 | 26116-080302 | BOLT, M8X 30 PLATED | 6 | 6 | | | | | | |
| 37 | 1 | 22137-080000 | WASHER, 8 | 6 | 6 | | | | | | |
| 37-1 | 1 | 22137-080000 | WASHER, 8 | 6 | | | | | | | Z |
| (A=T/# 20793) | | | | | | | | | | | |
| 38 | 1 | 194990-22050 | NUT, M8 | 6 | 6 | | | | | | |
| 39 | 1 | 194990-22140 | NUT, M8 | 2 | 2 | | | | | | |
| 40 | 1 | 194080-58810 | GROMMET, 8 | 1 | 1 | | | | | | |
| 41 | 1 | 194162-58830 | GROMMET, 20 | 1 | 1 | | | | | | |
| 42 | 1 | 194440-61220 | PAD, (RUBBER) | 1 | 1 | | | | | | |
| 43 | 1 | 194430-61500 | DASHBOARD ASSY | 1 | 1 | | | | | | |
| 44 | 1 | 194440-61550 | GASKET, BONNET | 2 | 2 | | | | | | |
| 45 | 1 | 194145-61560 | RUBBER, ABSORBER | 2 | 2 | | | | | | |
| 46 | 1 | 194190-61560 | RIVET, 5X6 | 4 | 4 | | | | | | |
| 47 | 1 | 194432-61570 | PLATE, AIR CUT | 1 | 1 | | | | | | |
| 48 | 1 | 194446-61580 | GROMMET, L=125 | 1 | 1 | | | | | | Z |
| (A=EXXX) (B=EXXX) | | | | | | | | | | | |

Fig.65. HOOD (ENGLAND)

Fig. 65 HOOD (England)



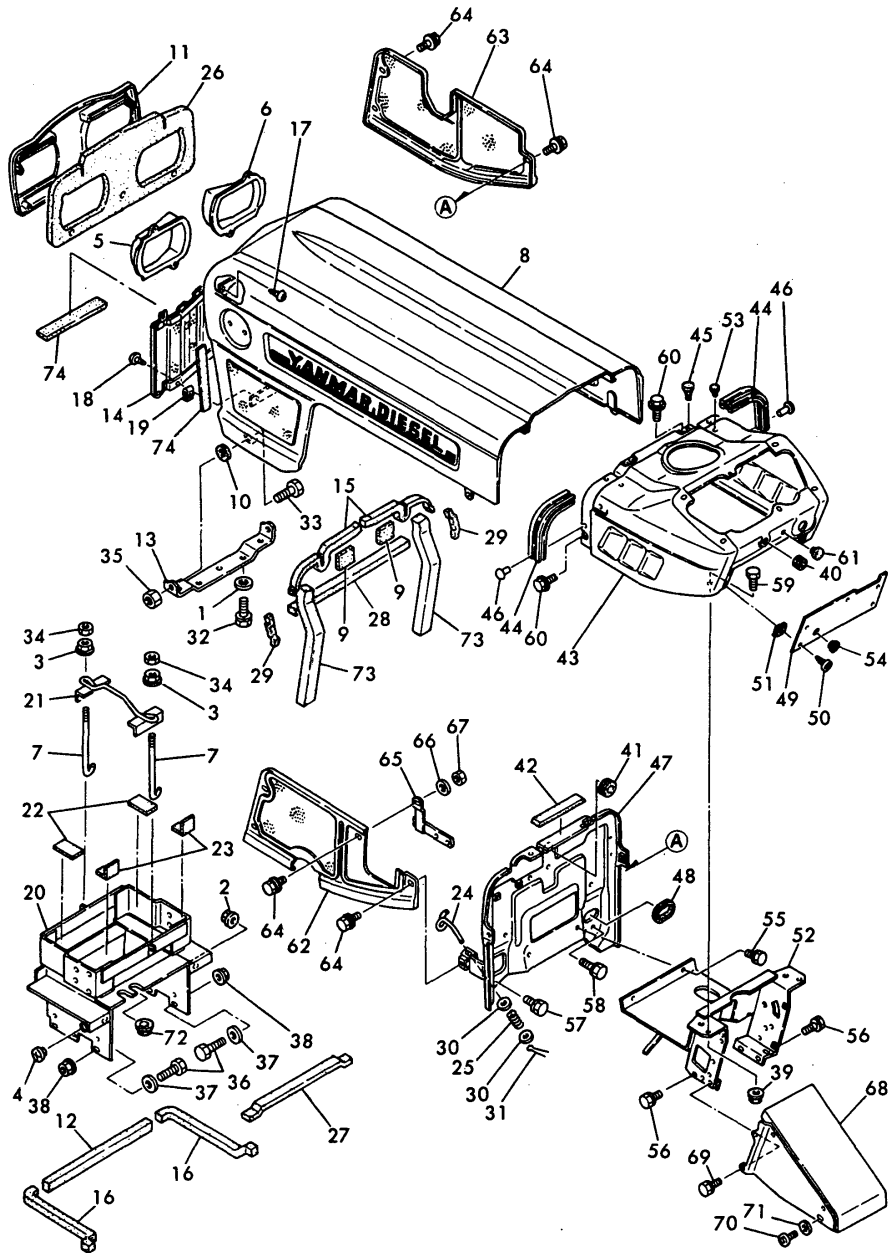
(A)=YM226
(B)=YM226D
(C)=

(D)=
(E)=
(F)=

| No. | Lev. | Parts No. | Description | Qty | | | | | | I | R |
|------|------|-----------------------------|----------------------|-----|-----|-----|-----|-----|-----|---|---|
| | | | | (A) | (B) | (C) | (D) | (E) | (F) | | |
| 49 | 1 | 194446-61621-R | COVER, DASHBOARD | 1 | 1 | | | | | | |
| 50 | 1 | 194420-61640 | SCREW, TAPPING M5X16 | 5 | 5 | | | | | | |
| 51 | 1 | 194145-61650 | NUT, SPEED M5 | 5 | 5 | | | | | | |
| 52 | 1 | 194432-61660-X | STAY, DASHBOARD | 1 | 1 | | | | | | |
| 53 | 1 | 194324-62310 | CAP, RUBBER 4.5 | 4 | 4 | | | | | | |
| 54 | 1 | 194145-64430 | GROMMET, 12 | 2 | 2 | | | | | | |
| 55 | 1 | 26013-080122 | BOLT, M8X 12 | 2 | 2 | | | | | | |
| 55-1 | 1 | 26106-080122 | BOLT, M8X 12 PLATED | 2 | 2 | | | | | | N |
| | | (A=T/# 20793) (B=T/# 42307) | | | | | | | | | |
| 56 | 1 | 26014-080162 | BOLT, M8X 16 | 4 | 4 | | | | | | |
| 57 | 1 | 26013-080162 | BOLT, M8X 16 | 1 | 1 | | | | | | |
| 57-1 | 1 | 26106-080162 | BOLT, M8X 16 PLATED | 1 | 1 | | | | | | N |
| | | (A=T/# 20793) (B=T/# 42307) | | | | | | | | | |
| 58 | 1 | 26013-080252 | BOLT, M8X 25 | 1 | 1 | | | | | | |
| 58-1 | 1 | 26106-080252 | BOLT, M8X 25 PLATED | 1 | 1 | | | | | | N |
| | | (A=T/# 20793) (B=T/# 42307) | | | | | | | | | |
| 59 | 1 | 26011-080162 | BOLT M 8X 16 | 2 | 2 | | | | | | |
| 59-1 | 1 | 26106-080162 | BOLT, M8X 16 PLATED | 2 | 2 | | | | | | N |
| | | (A=T/# 20793) (B=T/# 42307) | | | | | | | | | |
| 60 | 1 | 26011-060122 | BOLT M 6X 12 | 4 | 4 | | | | | | |
| 60-1 | 1 | 26106-060122 | BOLT, M6X 12 PLATED | 4 | 4 | | | | | | N |
| | | (A=T/# 20793) (B=T/# 42307) | | | | | | | | | |
| 61 | 1 | 194275-62310 | CAP, RUBBER 10 | 1 | 1 | | | | | | |
| 62 | 1 | 194436-05110-R | COVER, BELT | 1 | 1 | | | | | | |
| 63 | 1 | 194446-05121-R | COVER, BELT | 1 | 1 | | | | | | |
| 64 | 1 | 194420-05210 | BOLT, M6X16 | 7 | 7 | | | | | | |
| 65 | 1 | 194446-05220 | STAY | 1 | 1 | | | | | | |
| 66 | 1 | 22157-060000 | WASHER, 6 | 1 | 1 | | | | | | |
| 67 | 1 | 26716-060002 | NUT, M6 | 2 | 2 | | | | | | |
| 68 | 1 | 194432-61670-X | COVER, GEAR BOX | 1 | 1 | | | | | | |
| 69 | 1 | 194155-05210 | BOLT, M6X16 | 4 | 4 | | | | | | |
| 70 | 1 | 26557-050082 | SCREW, M5X 8 | 2 | 2 | | | | | | |
| 71 | 1 | 22137-050000 | WASHER, 5 | 2 | 2 | | | | | | |
| 72 | 1 | 194170-51210 | GROMMET 25 | 1 | 1 | | | | | | |
| 73 | 1 | 194432-61950 | PAD, (RUBBER) | 2 | 2 | | | | | | |
| 74 | 1 | 194312-61290 | PAD, RUBBER | 3 | 3 | | | | | | |
| 75 | 1 | 194436-05150 | COVER, SAFETY | 1 | 1 | | | | | | |
| 76 | 1 | 194436-05210 | COVER, SAFETY | 1 | 1 | | | | | | |
| 77 | 1 | 26014-060162 | BOLT, M6X 16 | 2 | 2 | | | | | | |
| 78 | 1 | 26014-080162 | BOLT, M8X 16 | 2 | 2 | | | | | | |
| 78-1 | 1 | 26106-080122 | BOLT, M8X 12 PLATED | 2 | 2 | | | | | | N |
| | | (A=T/# 20793) (B=T/# 42307) | | | | | | | | | |

Fig.66. HOOD (SCANDINAVIA)

Fig. 66 HOOD (Scandinavia)



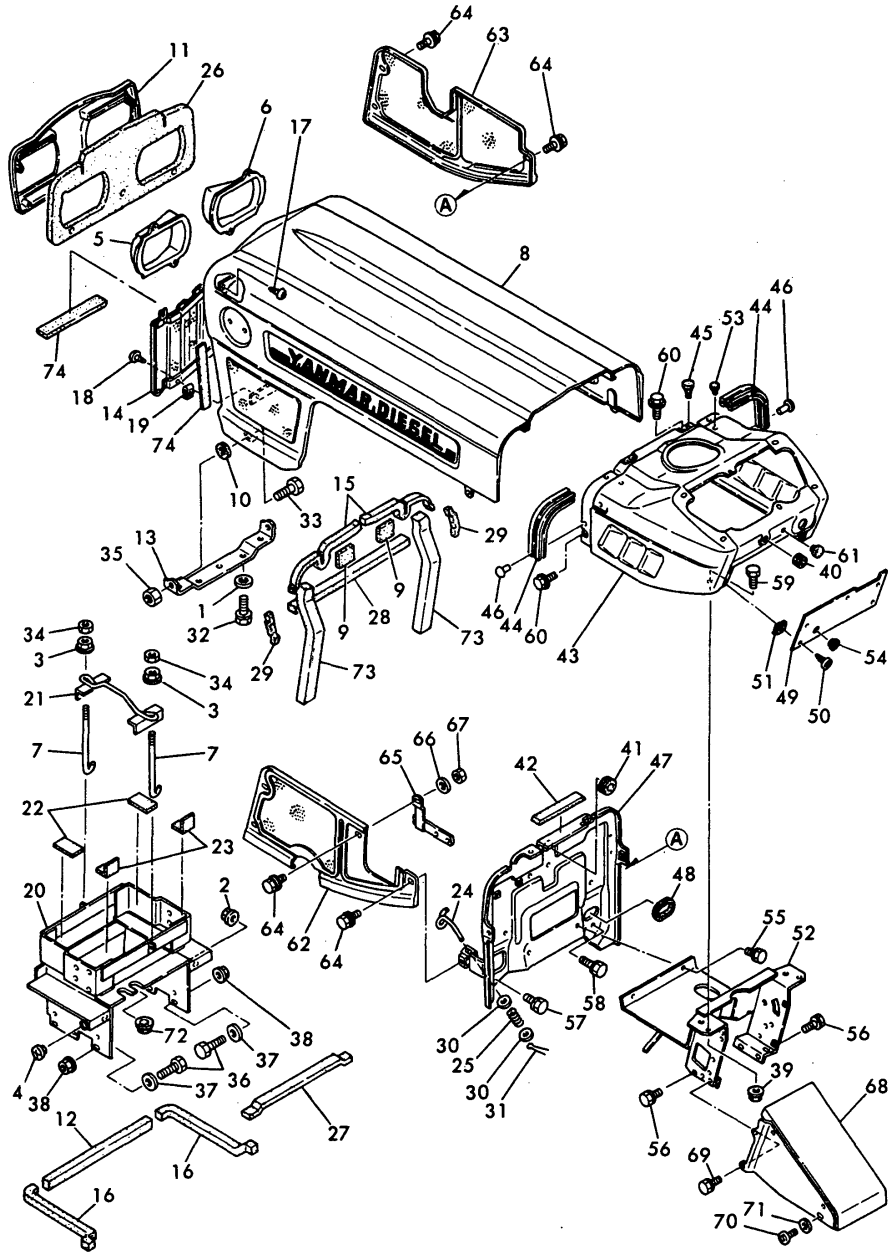
(A)=YM226
(B)=YM226D
(C)=

(D)=
(E)=
(F)=

| No. | Lev. | Parts No. | Description | Q'ty | | | | | | I | R |
|-----|------|----------------|----------------------|------|-----|-----|-----|-----|-----|---|---|
| | | | | (A) | (B) | (C) | (D) | (E) | (F) | | |
| 1 | 1 | 194145-61570 | WASHER, 10 | 2 | 2 | | | | | | |
| 2 | 1 | 194990-22130 | NUT, M6 | 2 | 2 | | | | | | |
| 3 | 1 | 194990-22140 | NUT, M8 | 2 | 2 | | | | | | |
| 4 | 1 | 192060-46110 | CAP, RUBBER | 1 | 1 | | | | | | |
| 5 | 1 | 194448-53350 | HOOD (L), HEAD LAMP | 1 | 1 | | | | | | |
| 6 | 1 | 194448-53360 | HOOD (R), HEAD LAMP | 1 | 1 | | | | | | |
| 7 | 1 | 194150-61740 | ROD, BATTERY CLAMP | 2 | 2 | | | | | | |
| 8 | 1 | 194436-61100 | BONNET ASSY | 1 | 1 | | | | | | |
| 9 | 1 | 194322-61430 | PAD, RUBBER | 2 | 2 | | | | | | |
| 10 | 1 | 194190-61250 | GASKET | 2 | 2 | | | | | | |
| 11 | 1 | 194448-61250 | GRILLE, FRONT | 1 | 1 | | | | | | |
| 12 | 1 | 194322-61290 | PAD, (RUBBER) | 1 | 1 | | | | | | |
| 13 | 1 | 194440-61320 | HINGE, HOOD | 1 | 1 | | | | | | |
| 14 | 1 | 194446-61310 | GRILLE, FRONT LOWER | 1 | 1 | | | | | | |
| 15 | 1 | 194275-61480 | PAD, (RUBBER) | 2 | 2 | | | | | | |
| 16 | 1 | 194432-61480 | PAD, (RUBBER) | 2 | 2 | | | | | | |
| 17 | 1 | 194420-61640 | SCREW, TAPPING M5X16 | 5 | 5 | | | | | | |
| 18 | 1 | 194250-61640 | SCREW, TAPPING M5X12 | 2 | 2 | | | | | | |
| 19 | 1 | 194145-61650 | NUT, SPEED M5 | 2 | 2 | | | | | | |
| 20 | 1 | 194436-61700-X | COVER, DUST | 1 | 1 | | | | | | |
| 21 | 1 | 194322-51560-U | CLAMP, BATTERY | 1 | 1 | | | | | | |
| 22 | 1 | 194190-61761 | RUBBER, CUSHION | 2 | 2 | | | | | | |
| 23 | 1 | 194190-61780 | RUBBER, CUSHION | 2 | 2 | | | | | | |
| 24 | 1 | 194440-61820 | LEVER, BONNET LOCK | 2 | 2 | | | | | | |
| 25 | 1 | 194440-61831 | SPRING, HOOD LOCK | 2 | 2 | | | | | | |
| 26 | 1 | 194448-61910 | PAD, (RUBBER) | 1 | 1 | | | | | | |
| 27 | 1 | 194446-61930 | PAD, (RUBBER) | 1 | 1 | | | | | | |
| 28 | 1 | 194432-61940 | PAD, RUBBER | 1 | 1 | | | | | | |
| 29 | 1 | 194446-61950 | PAD, RUBBER | 2 | 2 | | | | | | |
| 30 | 1 | 22157-060000 | WASHER, 6 | 4 | 4 | | | | | | |
| 31 | 1 | 22417-200200 | PIN, COTTER 2.0X20 | 2 | 2 | | | | | | |
| 32 | 1 | 26013-100202 | BOLT, M10X 20 | 2 | 2 | | | | | | |
| 33 | 1 | 26116-120252 | BOLT, M12X 25 PLATED | 2 | 2 | | | | | | |
| 34 | 1 | 26716-080002 | NUT, M8 | 2 | 2 | | | | | | |
| 35 | 1 | 26716-120002 | NUT, M12 | 2 | 2 | | | | | | |
| 36 | 1 | 26116-080302 | BOLT, M8X 30 PLATED | 6 | 6 | | | | | | |
| 37 | 1 | 22137-080000 | WASHER, 8 | 6 | 6 | | | | | | |
| 38 | 1 | 194990-22050 | NUT, M8 | 6 | 6 | | | | | | |
| 39 | 1 | 194990-22140 | NUT, M8 | 2 | 2 | | | | | | |
| 40 | 1 | 194080-58810 | GROMMET, 8 | 1 | 1 | | | | | | |
| 41 | 1 | 194162-58830 | GROMMET, 20 | 1 | 1 | | | | | | |
| 42 | 1 | 194440-61220 | PAD, (RUBBER) | 1 | 1 | | | | | | |
| 43 | 1 | 194430-61500 | DASHBOARD ASSY | 1 | 1 | | | | | | |
| 44 | 1 | 194440-61550 | GASKET, BONNET | 2 | 2 | | | | | | |
| 45 | 1 | 194145-61560 | RUBBER, ABSORBER | 2 | 2 | | | | | | |
| 46 | 1 | 194190-61560 | RIVET, 5X6 | 4 | 4 | | | | | | |
| 47 | 1 | 194432-61570 | PLATE, AIR CUT | 1 | 1 | | | | | | |
| 48 | 1 | 194446-61580 | GROMMET, L=125 | 1 | 1 | | | | | | |
| 49 | 1 | 194446-61621-R | COVER, DASHBOARD | 1 | 1 | | | | | | |
| 50 | 1 | 194420-61640 | SCREW, TAPPING M5X16 | 5 | 5 | | | | | | |
| 51 | 1 | 194145-61650 | NUT, SPEED M5 | 5 | 5 | | | | | | |

Fig.66. H00D (SCANDINAVIA)

Fig. 66 HOOD (Scandinavia)



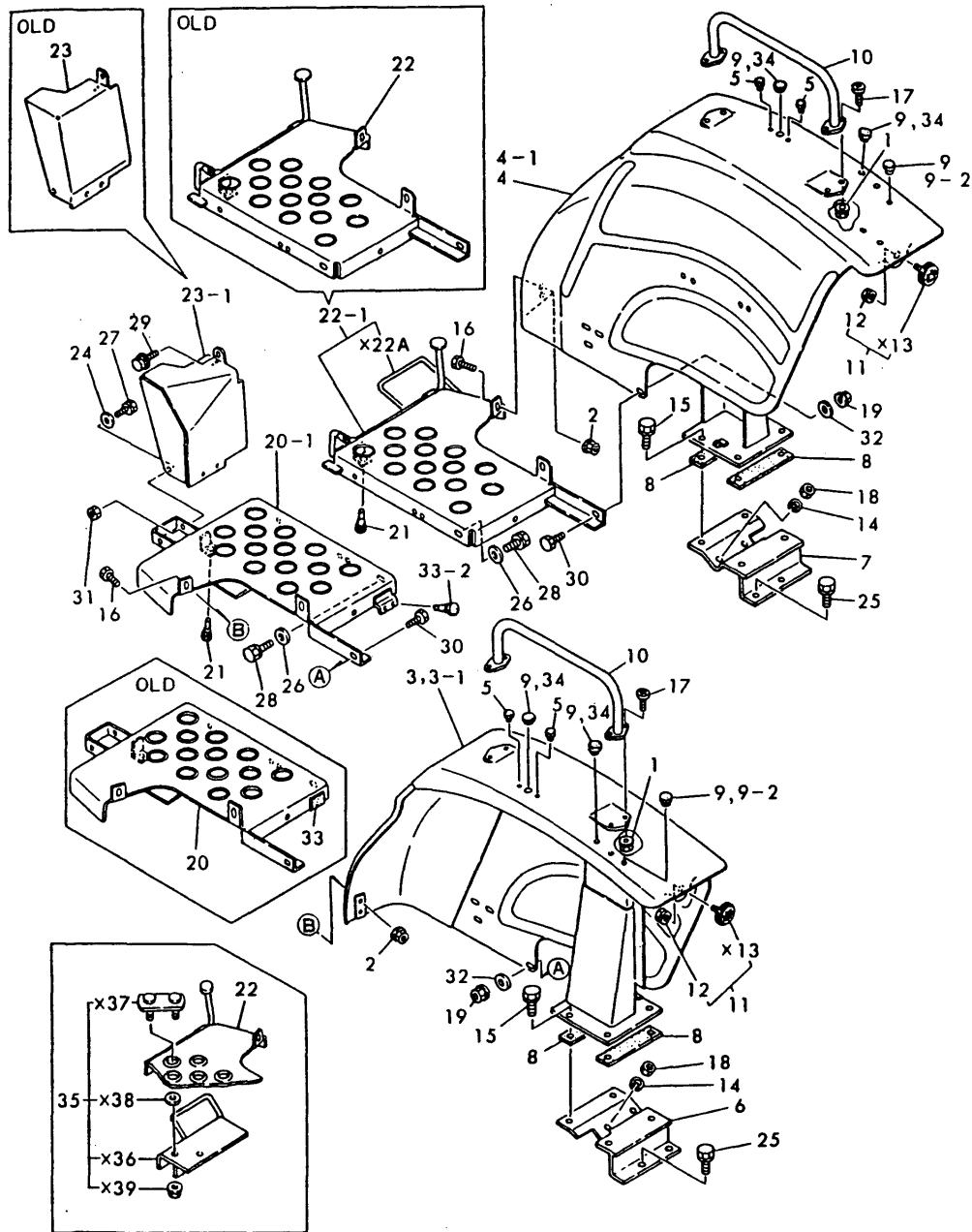
(A)=YM226
(B)=YM226D
(C)=

(D)=
(E)=
(F)=

| No. | Lev. | Parts No. | Description | Qty | | | | | | I | R |
|------|------|-----------------------------|---------------------|-----|-----|-----|-----|-----|-----|---|---|
| | | | | (A) | (B) | (C) | (D) | (E) | (F) | | |
| 52 | 1 | 194432-61660-X | STAY, DASHBOARD | 1 | 1 | | | | | | |
| 53 | 1 | 194324-62310 | CAP, RUBBER 4.5 | 4 | 4 | | | | | | |
| 54 | 1 | 194145-64430 | GROMMET, 12 | 2 | 2 | | | | | | |
| 55 | 1 | 26013-080122 | BOLT, M8X 12 | 2 | 2 | | | | | | |
| 55-1 | 1 | 26106-080122 | BOLT, M8X 12 PLATED | 2 | 2 | | | | | | N |
| | | (A=T/# 20793) (B=T/# 42307) | | | | | | | | | |
| 56 | 1 | 26014-080162 | BOLT, M8X 16 | 4 | 4 | | | | | | |
| 56-1 | 1 | 26106-080122 | BOLT, M8X 12 PLATED | 4 | 4 | | | | | | N |
| | | (A=T/# 20793) (B=T/# 42307) | | | | | | | | | |
| 57 | 1 | 26013-080162 | BOLT, M8X 16 | 1 | 1 | | | | | | |
| 57-1 | 1 | 26106-080162 | BOLT, M8X 16 PLATED | 1 | 1 | | | | | | N |
| | | (A=T/# 20793) (B=T/# 42307) | | | | | | | | | |
| 58 | 1 | 26013-080252 | BOLT, M8X 25 | 1 | 1 | | | | | | |
| 58-1 | 1 | 26106-080252 | BOLT, M8X 25 PLATED | 1 | 1 | | | | | | N |
| | | (A=T/# 20793) (B=T/# 42307) | | | | | | | | | |
| 59 | 1 | 26011-080162 | BOLT M 8X 16 | 2 | 2 | | | | | | |
| 59-1 | 1 | 26106-080162 | BOLT, M8X 16 PLATED | 2 | 2 | | | | | | N |
| | | (A=T/# 20793) (B=T/# 42307) | | | | | | | | | |
| 60 | 1 | 26011-060122 | BOLT M 6X 12 | 4 | 4 | | | | | | |
| 60-1 | 1 | 26106-060122 | BOLT, M6X 12 PLATED | 4 | 4 | | | | | | N |
| | | (A=T/# 20793) (B=T/# 42307) | | | | | | | | | |
| 61 | 1 | 194275-62310 | CAP, RUBBER 10 | 1 | 1 | | | | | | |
| 62 | 1 | 194436-05110-R | COVER, BELT | 1 | 1 | | | | | | |
| 63 | 1 | 194446-05121-R | COVER, BELT | 1 | 1 | | | | | | |
| 64 | 1 | 194420-05210 | BOLT, M6X16 | 7 | 7 | | | | | | |
| 65 | 1 | 194446-05220 | STAY | 1 | 1 | | | | | | |
| 66 | 1 | 22157-060000 | WASHER, 6 | 1 | 1 | | | | | | |
| 67 | 1 | 26716-060002 | NUT, M6 | 2 | 2 | | | | | | |
| 68 | 1 | 194432-61670-X | COVER, GEAR BOX | 1 | 1 | | | | | | |
| 69 | 1 | 194155-05210 | BOLT, M6X16 | 4 | 4 | | | | | | |
| 70 | 1 | 26557-050082 | SCREW, M5X 8 | 2 | 2 | | | | | | |
| 71 | 1 | 22137-050000 | WASHER, 5 | 2 | 2 | | | | | | |
| 72 | 1 | 194170-51210 | GROMMET 25 | 1 | 1 | | | | | | |
| 73 | 1 | 194432-61950 | PAD, (RUBBER) | 2 | 2 | | | | | | |
| 74 | 1 | 194312-61290 | PAD, RUBBER | 3 | 3 | | | | | | |

Fig.67. FENDER (U.S.A.)

Fig. 67 FENDER (U.S.A.)



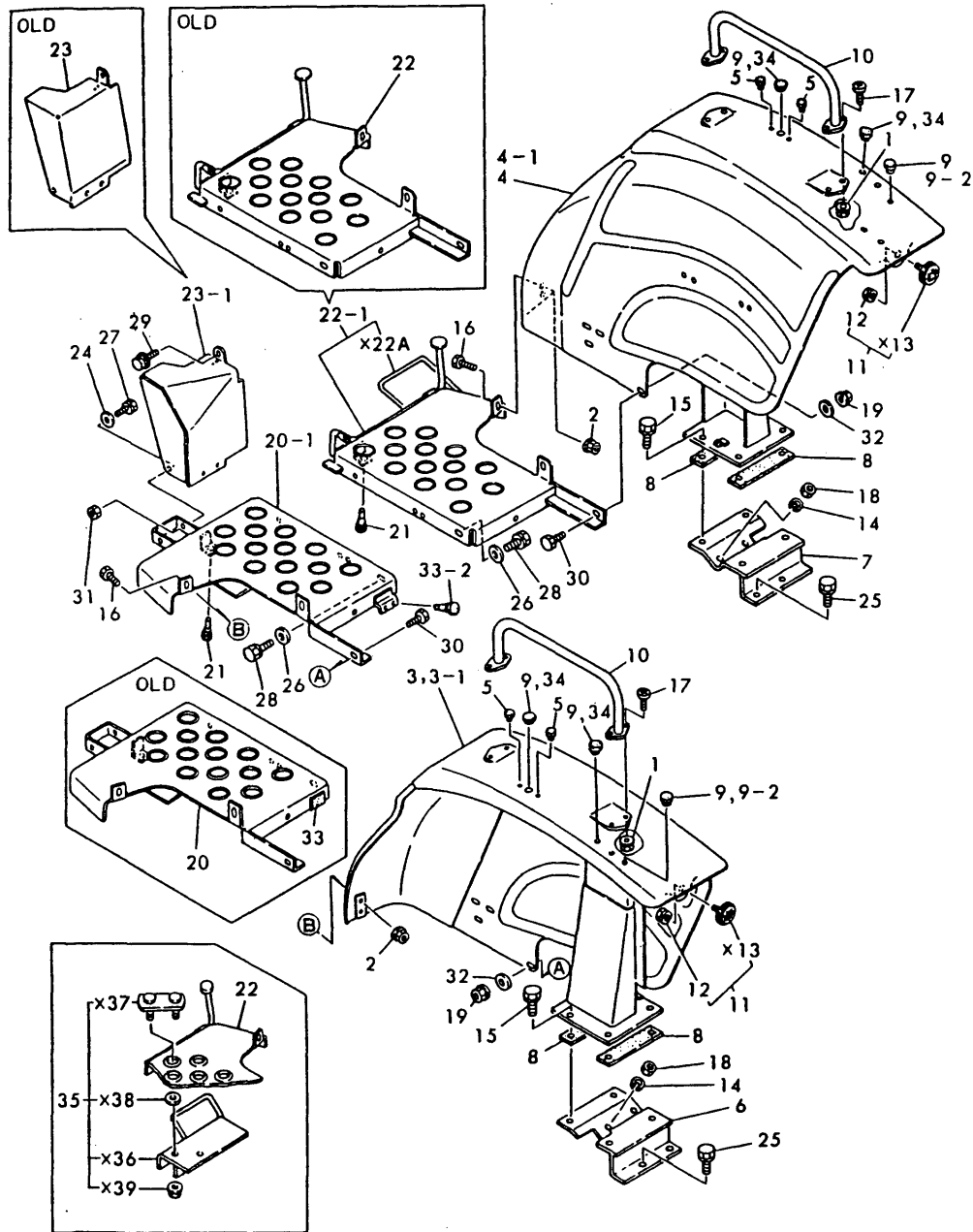
(A)=YM226
(B)=YM226D
(C)=

(D)=
(E)=
(F)=

| No. | Lev. | Parts No. | Description | Q'ty | | | | | | I | R |
|------|------|---|----------------------|------|-----|-----|-----|-----|-----|---|---|
| | | | | (A) | (B) | (C) | (D) | (E) | (F) | | |
| 1 | 1 | 194990-22130 | NUT, M6 | 8 | 8 | | | | | | |
| 2 | 1 | 194990-22140 | NUT, M8 | 2 | 2 | | | | | | |
| 3 | 1 | 194167-62110-R | FENDER (L) | 1 | 1 | | | | | | |
| 3-1 | 1 | 194167-62111-R (A=T/# 20584) (B=T/# 41024) | FENDER (L) | 1 | 1 | | | | | | N |
| 4 | 1 | 194167-62120-R | FENDER (R) | 1 | 1 | | | | | | |
| 4-1 | 1 | 194167-62121-R (A=T/# 20584) (B=T/# 41024) | FENDER (R) | 1 | 1 | | | | | | N |
| 5 | 1 | 194432-62150 | CAP, RUBBER 6 | 4 | 4 | | | | | | |
| 6 | 1 | 194432-62200-R | BRACKET, FENDER | 1 | 1 | | | | | | |
| 7 | 1 | 194432-62210-R | BRACKET, FENDER | 1 | 1 | | | | | | |
| 8 | 1 | 194432-62230 | RUBBER, CUSHION | 4 | 4 | | | | | | |
| 9 | 1 | 194275-62320 | CAP 12, RUBBER | 2 | 2 | | | | | | |
| 9-1 | 1 | 194145-64430 (A=*1981.) (B=*1981.) | GROMMET, 12 | 6 | 6 | | | | | | N |
| 9-2 | 1 | 194145-64430 (A=T/# 20584) (B=T/# 41024) | GROMMET, 12 | 2 | 2 | | | | | | K |
| 10 | 1 | 194740-70270-R | BAR, ASSIST | 2 | 2 | | | | | | |
| 11 | 1 | 194740-76200 | REFLECTOR | 2 | 2 | | | | | | |
| 12 | 2 | 194990-22030 | NUT, M5 | 2 | 2 | | | | | | |
| 14 | 1 | 22217-100000 | WASHER, SPRING 10 | 4 | 4 | | | | | | |
| 15 | 1 | 26013-100252 | BOLT, M10X 25 | 8 | 8 | | | | | | |
| 16 | 1 | 26116-080202 | BOLT, M8X 20 PLATED | 2 | 2 | | | | | | |
| 16-1 | 1 | 26011-080162 (A=T/# 20686) (B=T/# 41496) | BOLT M 8X 16 | 2 | 2 | | | | | | N |
| 16-2 | 1 | 26106-080162 (A=T/# 20793) (B=T/# 42307) | BOLT, M8X 16 PLATED | 2 | 2 | | | | | | N |
| 17 | 1 | 26587-060162 | SCREW, M6X16 | 8 | 8 | | | | | | |
| 18 | 1 | 26716-100002 | NUT, M10 | 4 | 4 | | | | | | |
| 19 | 1 | 194990-22140 | NUT, M8 | 4 | 4 | | | | | | |
| 20 | 1 | 194432-62510-X | STEP (L) | 1 | 1 | | | | | | |
| 20-1 | 1 | 194432-62511-X (A=T/# 20410) (B=T/# 40760) | STEP (L) | 1 | 1 | | | | | | N |
| 21 | 1 | 194330-62530 | STOPPER, PEDAL | 3 | 3 | | | | | | |
| 22 | 1 | 194432-62530-X | STEP (R) | 1 | 1 | | | | | | |
| 22-1 | 1 | 194432-62531-X (A=T/# 20783) (B=T/# 42212) | STEP (R) | 1 | 1 | | | | | | N |
| 23 | 1 | 194432-62550-X | PROTECTOR | 1 | 1 | | | | | | |
| 23-1 | 1 | 194432-62551-X (A=T/# 20410) (B=T/# 40759) | PROTECTOR | 1 | 1 | | | | | | N |
| 24 | 1 | 22137-080000 | WASHER, 8 | 3 | 3 | | | | | | |
| 25 | 1 | 26013-100202 | BOLT, M10X 20 | 4 | 4 | | | | | | |
| 25-1 | 1 | 26106-100202 (A=T/# 20793) (B=T/# 42307) | BOLT, M10X 20 PLATED | 4 | 4 | | | | | | N |
| 26 | 1 | 22137-100000 | WASHER, 10 | 4 | 4 | | | | | | |
| 26-1 | 1 | 22137-100000 (A=T/# 20793) (B=T/# 42307) | WASHER, 10 | 4 | 4 | | | | | | Z |
| 27 | 1 | 26013-080202 | BOLT, M8X 20 | 3 | 3 | | | | | | |
| 27-1 | 1 | 26106-080162 (A=T/# 20793) (B=T/# 42307) | BOLT, M8X 16 PLATED | 3 | 3 | | | | | | N |
| 28 | 1 | 26013-100252 | BOLT, M10X 25 | 4 | 4 | | | | | | |

Fig.67. FENDER (U.S.A.)

Fig. 67 FENDER (U.S.A.)



(A)=YM226
(B)=YM226D
(C)=

(D)=
(E)=
(F)=

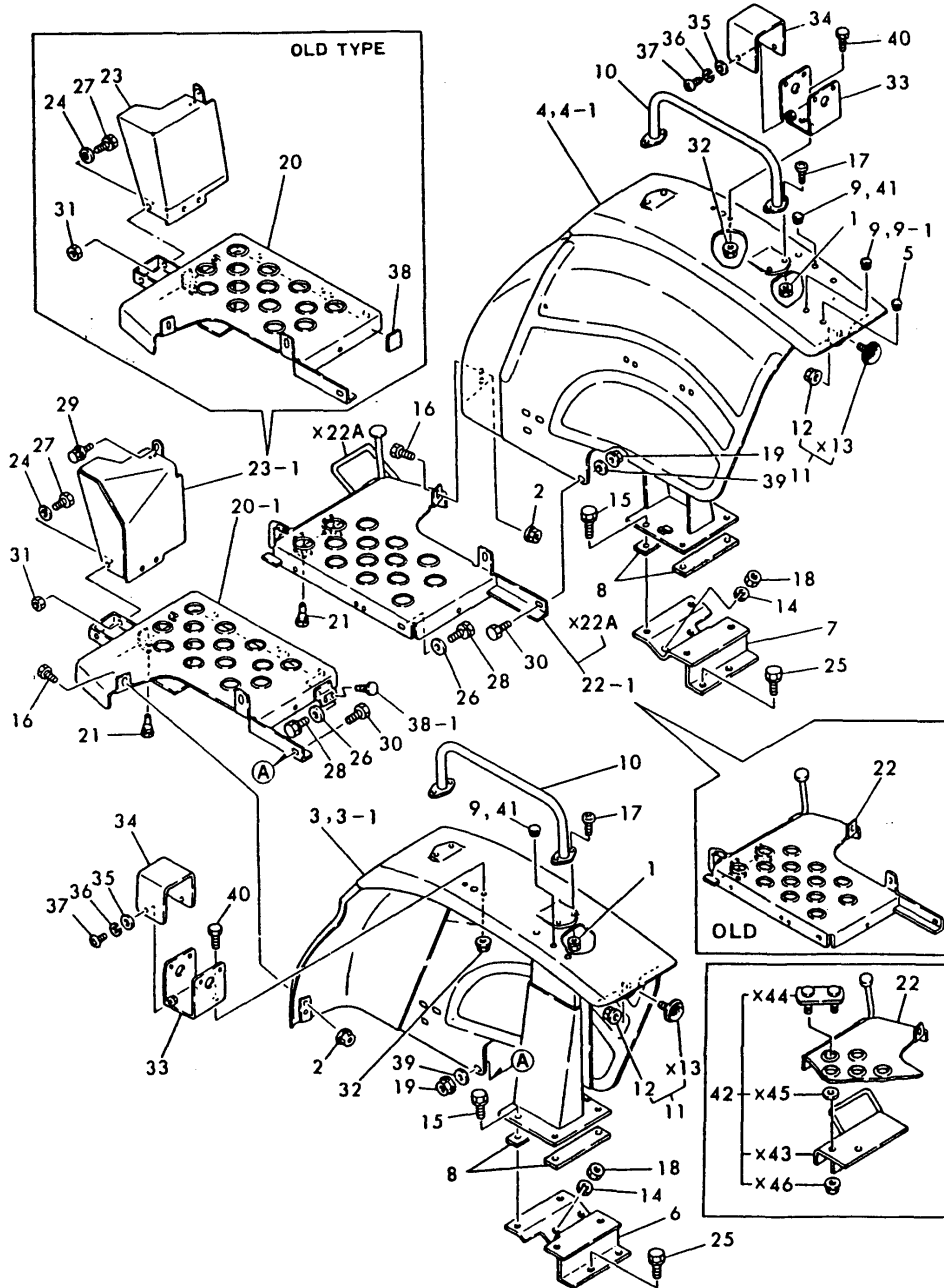
| No. | Lev. | Parts No. | Description | Qty | | | | | | I | R |
|------|------|---|----------------------|-----|-----|-----|-----|-----|-----|---|-----|
| | | | | (A) | (B) | (C) | (D) | (E) | (F) | | |
| 28-1 | 1 | 26106-100202 (A=T/# 20793) (B=T/# 42307) | BOLT, M10X 20 PLATED | 4 | 4 | | | | | | N |
| 29 | 1 | 26014-060142 | BOLT, M6X 14 | 1 | 1 | | | | | | |
| 29-1 | 1 | 194155-05210 (A=T/# 20584) (B=T/# 41024) | BOLT, M6X16 | 1 | 1 | | | | | | N |
| 30 | 1 | 26116-080202 | BOLT, M8X 20 PLATED | 4 | 4 | | | | | | |
| 30-1 | 1 | 26011-080162 (A=T/# 20686) (B=T/# 41496) | BOLT M 8X 16 | 4 | 4 | | | | | | N |
| 30-2 | 1 | 26106-080162 (A=T/# 20793) (B=T/# 42307) | BOLT, M8X 16 PLATED | 4 | 4 | | | | | | N |
| 31 | 1 | 26716-080002 | NUT, M8 | 1 | 1 | | | | | | |
| 32 | 1 | 22137-080000 (A=*) (B=*) | WASHER, 8 | 4 | 4 | | | | | | W |
| 32-1 | 1 | 22137-080000 (A=T/# 20686) (B=T/# 41496) | WASHER, 8 | 4 | 4 | | | | | | Z |
| 33 | 1 | 194432-62560 (A=T/# 20199) (B=*1982.) | RUBBER, CUSHION | 1 | 1 | | | | | | W |
| 33-1 | 1 | 194432-62560 (A=*) | RUBBER, CUSHION | 1 | | | | | | | Z |
| 33-2 | 1 | 194145-61560 (B=T/# 40346) | RUBBER, ABSORBER | | 1 | | | | | | S |
| 34 | 1 | 194448-61620 (A=T/# 20584) (B=T/# 41024) | GROMMET, 20.5 | 4 | 4 | | | | | | W |
| 35 | 1 | 794432-01400-X (A=T/# 20783) (B=T/# 42212) | STOPPER KIT, PEDAL | 1 | 1 | | | | | | W 1 |

Fig.68. FENDER (EXCEPT U.S.A.)

(A)=YM226
(B)=YM226D
(C)=

(D)=
(E)=
(F)=

Fig. 68 FENDER (Except U.S.A.)



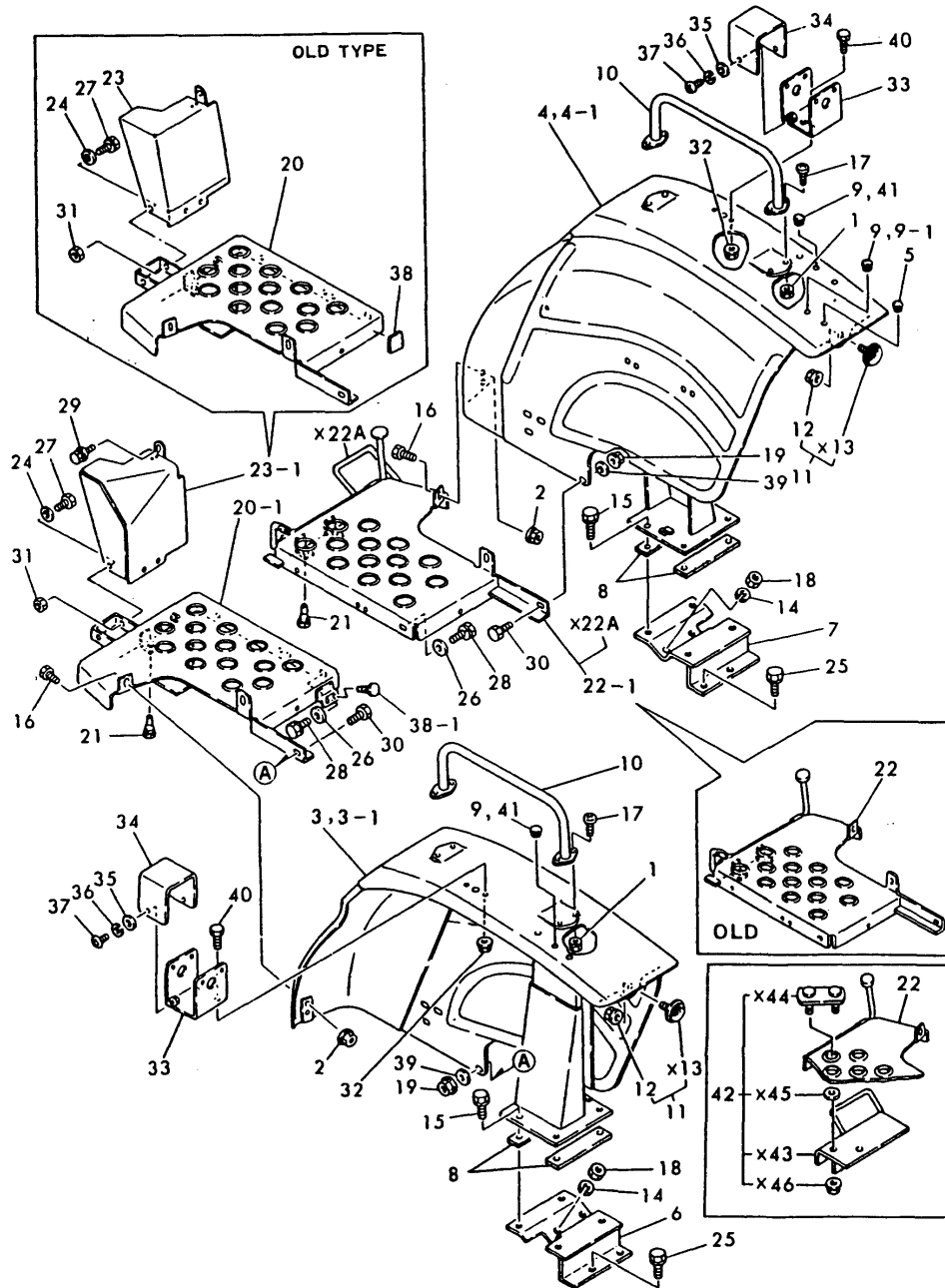
| No. | Lev. | Parts No. | Description | Q'ty | | | | | | I | R |
|------|------|---|----------------------|------|-----|-----|-----|-----|-----|---|---|
| | | | | (A) | (B) | (C) | (D) | (E) | (F) | | |
| 1 | 1 | 194990-22130 | NUT, M6 | 8 | 8 | | | | | | |
| 2 | 1 | 194990-22140 | NUT, M8 | 2 | 2 | | | | | | |
| 3 | 1 | 194167-62110-R | FENDER (L) | 1 | 1 | | | | | | |
| 3-1 | 1 | 194167-62111-R (A=T/# 20585) (B=T/# 41151) | FENDER (L) | 1 | 1 | | | | | | N |
| 4 | 1 | 194167-62120-R | FENDER (R) | 1 | 1 | | | | | | |
| 4-1 | 1 | 194167-62121-R (A=T/# 20585) (B=T/# 41151) | FENDER (R) | 1 | 1 | | | | | | N |
| 5 | 1 | 1C6053-26020 | CAP, RUBBER 8X3 | 1 | 1 | | | | | | |
| 6 | 1 | 194432-62200-R | BRACKET, FENDER | 1 | 1 | | | | | | |
| 7 | 1 | 194432-62210-R | BRACKET, FENDER | 1 | 1 | | | | | | |
| 8 | 1 | 194432-62230 | RUBBER, CUSHION | 4 | 4 | | | | | | |
| 9 | 1 | 194145-64430 | GROMMET, 12 | 7 | 7 | | | | | | |
| 9-1 | 1 | 194145-64430 (A=T/# 20584) (B=T/# 41024) | GROMMET, 12 | 5 | 5 | | | | | | K |
| 10 | 1 | 194740-70270-P | BAR, ASSIST | 2 | 2 | | | | | | |
| 11 | 1 | 194436-64200 | REFLECTOR ASSY | 2 | 2 | | | | | | |
| 12 | 2 | 194990-22130 | NUT, M6 | 2 | 2 | | | | | | |
| 12-1 | 2 | 194990-22030 (A=T/# 20585) (B=T/# 41151) | NUT, M5 | 2 | 2 | | | | | | N |
| 14 | 1 | 22217-100000 | WASHER, SPRING 10 | 4 | 4 | | | | | | |
| 15 | 1 | 26013-100252 | BOLT, M10X 25 | 8 | 8 | | | | | | |
| 16 | 1 | 26116-080202 | BOLT, M8X 20 PLATED | 2 | 2 | | | | | | |
| 16-1 | 1 | 26011-080162 (A=T/# 20686) (B=T/# 41496) | BOLT M 8X 16 | 2 | 2 | | | | | | N |
| 17 | 1 | 26587-060162 | SCREW, M6X16 | 8 | 8 | | | | | | |
| 18 | 1 | 26716-100002 | NUT, M10 | 4 | 4 | | | | | | |
| 19 | 1 | 194990-22140 | NUT, M8 | 4 | 4 | | | | | | |
| 20 | 1 | 194432-62510-X | STEP (L) | 1 | 1 | | | | | | |
| 20-1 | 1 | 194432-62511-X (A=T/# 20410) (B=T/# 40760) | STEP (L) | 1 | 1 | | | | | | N |
| 21 | 1 | 194330-62530 | STOPPER, PEDAL | 3 | 3 | | | | | | |
| 22 | 1 | 194432-62530-X | STEP (R) | 1 | 1 | | | | | | |
| 22-1 | 1 | 194432-62531-X (A=T/# 20783) (B=T/# 42212) | STEP (R) | 1 | 1 | | | | | | N |
| 23 | 1 | 194432-62550-X | PROTECTOR | 1 | 1 | | | | | | |
| 23-1 | 1 | 194432-62551-X (A=T/# 20410) (B=T/# 40759) | PROTECTOR | 1 | 1 | | | | | | N |
| 24 | 1 | 22137-080000 | WASHER, 8 | 3 | 3 | | | | | | |
| 25 | 1 | 26013-100202 | BOLT, M10X 20 | 4 | 4 | | | | | | |
| 26 | 1 | 22137-100000 (A=T/# 20793) (B=T/# 42307) | WASHER, 10 | 4 | 4 | | | | | | Z |
| 27 | 1 | 26013-080202 | BOLT, M8X 20 | 3 | 3 | | | | | | |
| 27-1 | 1 | 26106-080162 (A=T/# 20793) (B=T/# 42307) | BOLT, M8X 16 PLATED | 3 | 3 | | | | | | N |
| 28 | 1 | 26013-100252 | BOLT, M10X 25 | 4 | 4 | | | | | | |
| 28-1 | 1 | 26106-100202 (A=T/# 20793) (B=T/# 42307) | BOLT, M10X 20 PLATED | 4 | 4 | | | | | | N |
| 29 | 1 | 26014-060142 | BOLT, M6X 14 | 1 | 1 | | | | | | |
| 29-1 | 1 | 194155-05210 (A=T/# 20584) (B=T/# 41024) | BOLT, M6X16 | 1 | 1 | | | | | | N |

Fig.68. FENDER (EXCEPT U.S.A.)

(A)=YM226
(B)=YM226D
(C)=

(D)=
(E)=
(F)=

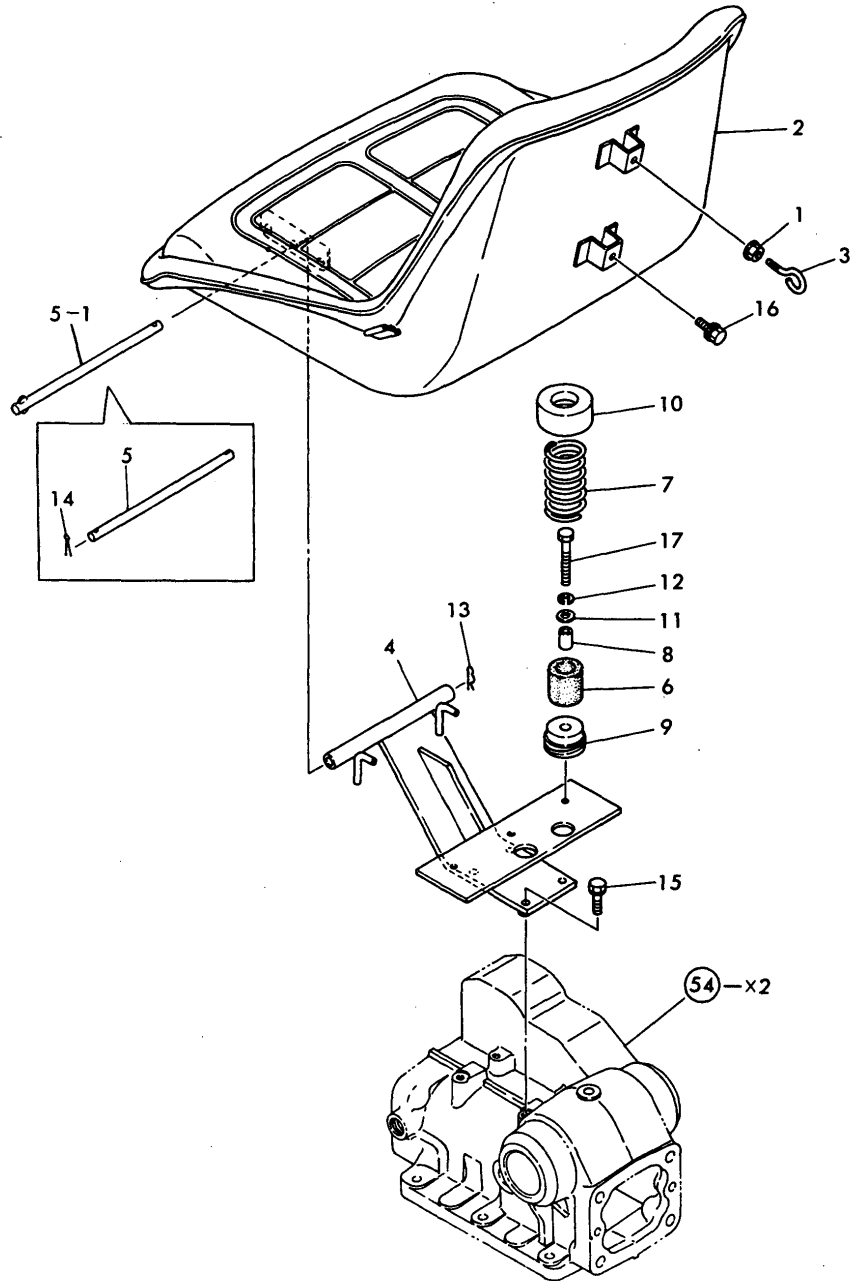
Fig. 68 FENDER (Except U.S.A.)



| No. | Lev. | Parts No. | Description | Q'ty | | | | | | I | R |
|------|------|-----------------------------|---------------------|------|-----|-----|-----|-----|-----|---|-----|
| | | | | (A) | (B) | (C) | (D) | (E) | (F) | | |
| 30 | 1 | 26116-080202 | BOLT, M8X 20 PLATED | 4 | 4 | | | | | | |
| 30-1 | 1 | 26011-080162 | BOLT M 8X 16 | 4 | 4 | | | | | | N |
| | | (A=T/# 20686) (B=T/# 41496) | | | | | | | | | |
| 30-2 | 1 | 26106-080162 | BOLT, M8X 16 PLATED | 4 | 4 | | | | | | N |
| | | (A=T/# 20793) (B=T/# 42307) | | | | | | | | | |
| 31 | 1 | 26716-080002 | NUT, M8 | 1 | 1 | | | | | | |
| 32 | 1 | 194990-22130 | NUT, M6 | 4 | 4 | | | | | | |
| 33 | 1 | 194240-62250-R | BRACKET | 2 | 2 | | | | | | |
| 33-1 | 1 | 194240-62251-R | BRACKET | 2 | 2 | | | | | | S |
| | | (A=T/# 20199) (B=T/# 40346) | | | | | | | | | |
| 34 | 1 | 194240-62260-R | HOOD, TURN SIGNAL | 2 | 2 | | | | | | |
| 35 | 1 | 22137-060000 | WASHER, 6 | 4 | 4 | | | | | | |
| 36 | 1 | 22217-060000 | WASHER, SPRING 6 | 4 | 4 | | | | | | |
| 37 | 1 | 26557-060122 | SCREW, M6X12 | 4 | 4 | | | | | | |
| 38 | 1 | 194432-62560 | RUBBER, CUSHION | 1 | 1 | | | | | | |
| 38-1 | 1 | 194145-61560 | RUBBER, ABSORBER | | 1 | | | | | | S |
| | | (B=T/# 40346) | | | | | | | | | |
| 39 | 1 | 22137-080000 | WASHER, 8 | 4 | 4 | | | | | | Z |
| | | (A=T/# 20584) (B=T/# 41024) | | | | | | | | | |
| 40 | 1 | 26116-060162 | BOLT, M6X 16 PLATED | 4 | 4 | | | | | | |
| 41 | 1 | 194448-61620 | GROMMET, 20.5 | 2 | 2 | | | | | | W |
| | | (A=T/# 20584) (B=T/# 41024) | | | | | | | | | |
| 42 | 1 | 794432-01400-X | STOPPER KIT, PEDAL | 1 | 1 | | | | | | W 1 |
| | | (A=T/# 20783) (B=T/# 42212) | | | | | | | | | |

Fig.69. SEAT (U.S.A.)

Fig. 69 SEAT (U.S.A.)



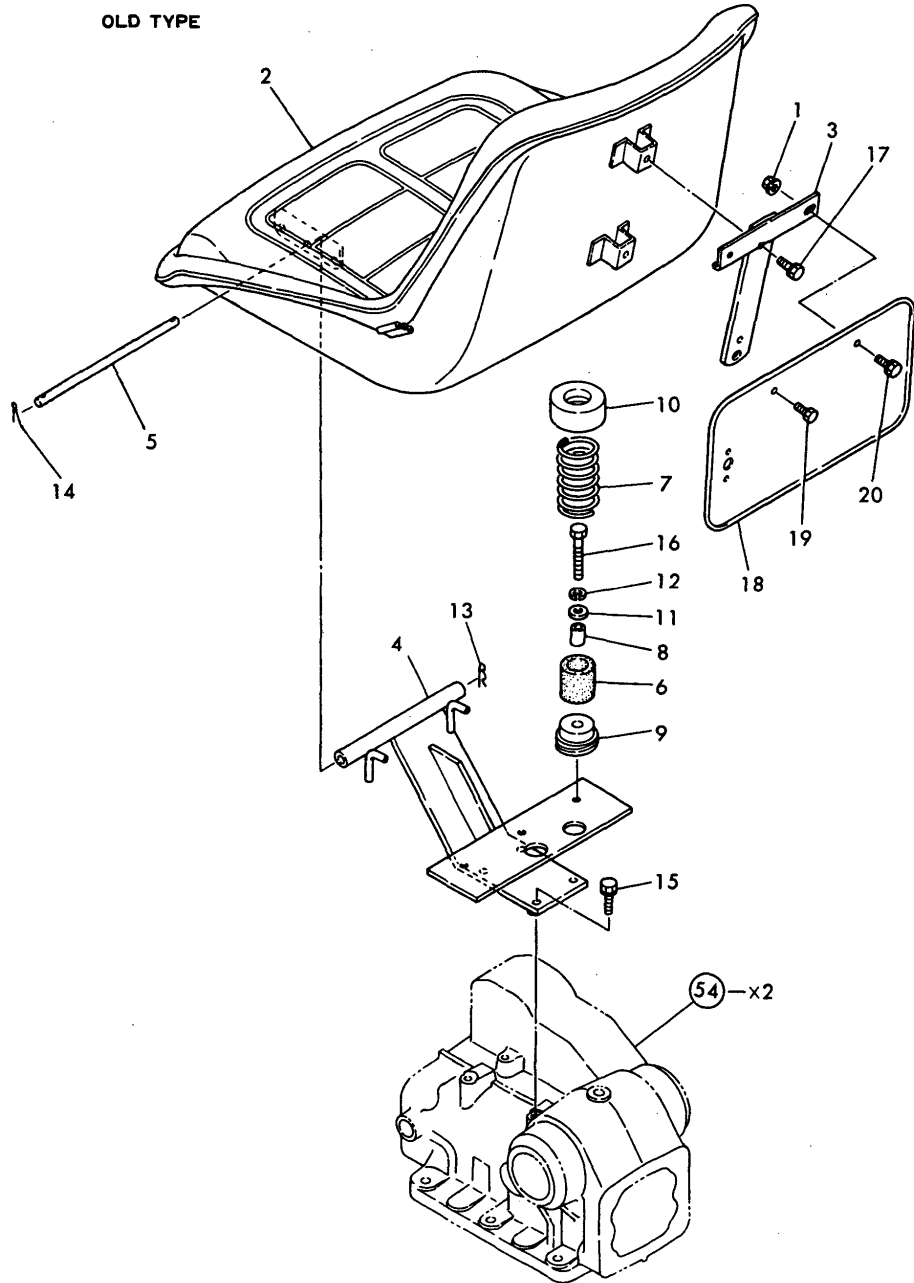
(A)=YM226
(B)=YM226D
(C)=

(D)=
(E)=
(F)=

| No. | Lev. | Parts No. | Description | Q'ty | | | | | | I | R |
|------|------|-----------------------------|---------------------|------|-----|-----|-----|-----|-----|---|---|
| | | | | (A) | (B) | (C) | (D) | (E) | (F) | | |
| 1 | 1 | 194990-22130 | NUT, M6 | 1 | 1 | | | | | | |
| 2 | 1 | 194170-63110-X | SEAT, OPERATOR | 1 | 1 | | | | | | |
| 2-1 | 1 | 194170-63111-X | SEAT ASSY, OPERATOR | 1 | 1 | | | | | | N |
| | | (A=T/# 20793) (B=T/# 42302) | | | | | | | | | |
| 3 | 1 | 194275-63120 | BOLT, STOP | 1 | 1 | | | | | | |
| 4 | 1 | 194432-63210-X | BRACKET, SEAT | 1 | 1 | | | | | | |
| 5 | 1 | 194140-63221 | PIN, HINGE | 1 | 1 | | | | | | |
| 6 | 1 | 194151-63240 | RUBBER, CUSHION | 2 | 2 | | | | | | |
| 7 | 1 | 194281-63240 | SPRING | 2 | 2 | | | | | | |
| 8 | 1 | 194151-63250 | COLLAR, CUSHION | 2 | 2 | | | | | | |
| 9 | 1 | 194322-63250 | HOLDER | 2 | 2 | | | | | | |
| 10 | 1 | 194322-63280 | COVER, SEAT SPRING | 2 | 2 | | | | | | |
| 11 | 1 | 22137-080000 | WASHER, 8 | 2 | 2 | | | | | | Z |
| | | (A=T/# 20793) (B=T/# 42307) | | | | | | | | | |
| 12 | 1 | 22217-080000 | WASHER, SPRING 8 | 2 | 2 | | | | | | Z |
| | | (A=T/# 20793) (B=T/# 42307) | | | | | | | | | |
| 13 | 1 | 22360-080000 | SNAP PIN 8 | 1 | 1 | | | | | | |
| 14 | 1 | 22417-200200 | PIN, COTTER 2.0X20 | 1 | 1 | | | | | | Z |
| | | (A=*) (B=*) | | | | | | | | | |
| 15 | 1 | 26013-080252 | BOLT, M8X 25 | 4 | 4 | | | | | | |
| 15-1 | 1 | 26106-080252 | BOLT, M8X 25 PLATED | 4 | 4 | | | | | | N |
| | | (A=T/# 20793) (B=T/# 42307) | | | | | | | | | |
| 16 | 1 | 26014-060202 | BOLT, M6X 20 | 1 | 1 | | | | | | |
| 16-1 | 1 | 26106-060162 | BOLT, M6X 16 PLATED | 1 | 1 | | | | | | N |
| | | (A=T/# 20793) (B=T/# 42307) | | | | | | | | | |
| 17 | 1 | 26116-080602 | BOLT, M8X 60 PLATED | 2 | 2 | | | | | | |
| 17-1 | 1 | 26116-080552 | BOLT, M8X 55 PLATED | 2 | 2 | | | | | | N |
| | | (A=T/# 20705) (B=T/# 41820) | | | | | | | | | |
| 17-2 | 1 | 26106-080552 | BOLT, M8X 55 PLATED | 2 | 2 | | | | | | N |
| | | (A=T/# 20793) (B=T/# 42307) | | | | | | | | | |

Fig.70. SEAT (FRANCE)

Fig. 70 SEAT (France)



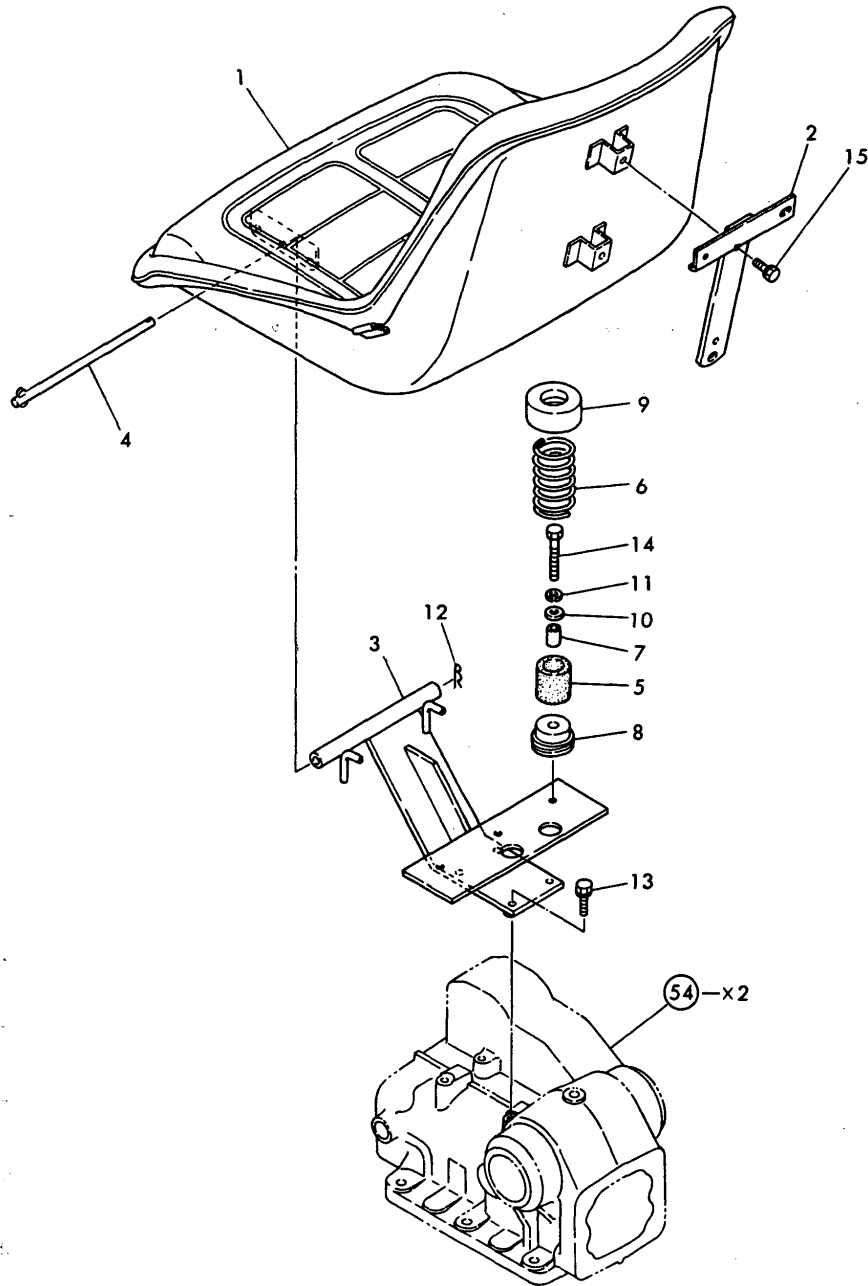
(A)=YM226
(B)=YM226D
(C)=

(D)=
(E)=
(F)=

| No. | Lev. | Parts No. | Description | Qty | | | | | | I | R |
|-----|------|----------------|---------------------|-----|-----|-----|-----|-----|-----|---|-----|
| | | | | (A) | (B) | (C) | (D) | (E) | (F) | | |
| 1 | 1 | 194990-22130 | NUT, M6 | 1 | 1 | | | | | | Z |
| | | (A=*) (B=*) | | | | | | | | | |
| 2 | 1 | 194170-63110-X | SEAT, OPERATOR | 1 | 1 | | | | | | Z |
| | | (A=*) (B=*) | | | | | | | | | |
| 3 | 1 | 194448-63120-X | STAY, NUMBER PLATE | 1 | 1 | | | | | | Z |
| | | (A=*) (B=*) | | | | | | | | | |
| 4 | 1 | 194432-63210-X | BRACKET, SEAT | 1 | 1 | | | | | | Z |
| | | (A=*) (B=*) | | | | | | | | | |
| 5 | 1 | 194140-63221 | PIN, HINGE | 1 | 1 | | | | | | Z |
| | | (A=*) (B=*) | | | | | | | | | |
| 6 | 1 | 194151-63240 | RUBBER, CUSHION | 2 | 2 | | | | | | Z |
| | | (A=*) (B=*) | | | | | | | | | |
| 7 | 1 | 194281-63240 | SPRING | 2 | 2 | | | | | | Z |
| | | (A=*) (B=*) | | | | | | | | | |
| 8 | 1 | 194151-63250 | COLLAR, CUSHION | 2 | 2 | | | | | | Z |
| | | (A=*) (B=*) | | | | | | | | | |
| 9 | 1 | 194322-63250 | HOLDER | 2 | 2 | | | | | | Z |
| | | (A=*) (B=*) | | | | | | | | | |
| 10 | 1 | 194322-63280 | COVER, SEAT SPRING | 2 | 2 | | | | | | Z |
| | | (A=*) (B=*) | | | | | | | | | |
| 11 | 1 | 22137-080000 | WASHER, 8 | 2 | 2 | | | | | | Z |
| | | (A=*) (B=*) | | | | | | | | | |
| 12 | 1 | 22217-080000 | WASHER, SPRING 8 | 2 | 2 | | | | | | Z |
| | | (A=*) (B=*) | | | | | | | | | |
| 13 | 1 | 22360-080000 | SNAP PIN 8 | 1 | 1 | | | | | | Z |
| | | (A=*) (B=*) | | | | | | | | | |
| 14 | 1 | 22417-200200 | PIN, COTTER 2.0X20 | 1 | 1 | | | | | | Z |
| | | (A=*) (B=*) | | | | | | | | | |
| 15 | 1 | 26013-080252 | BOLT, M8X 25 | 4 | 4 | | | | | | Z |
| | | (A=*) (B=*) | | | | | | | | | |
| 16 | 1 | 26116-080602 | BOLT, M8X 60 PLATED | 2 | 2 | | | | | | Z |
| | | (A=*) (B=*) | | | | | | | | | |
| 17 | 1 | 26013-060162 | BOLT, M6X 16 | 2 | 2 | | | | | | Z |
| | | (A=*) (B=*) | | | | | | | | | |
| 18 | 1 | 194436-64510 | PLATE, LICENSE | 1 | 1 | | | | | | Z 1 |
| | | (A=*) (B=*) | | | | | | | | | |
| 19 | 1 | 26116-060122 | BOLT, M6X 12 PLATED | 1 | 1 | | | | | | Z |
| | | (A=*) (B=*) | | | | | | | | | |
| 20 | 1 | 26013-060122 | BOLT, M6X 12 | 1 | 1 | | | | | | Z |
| | | (A=*) (B=*) | | | | | | | | | |

Fig.71. SEAT (EXCEPT FRANCE & U.S.A.)

Fig. 71 SEAT (Except France & U.S.A.)

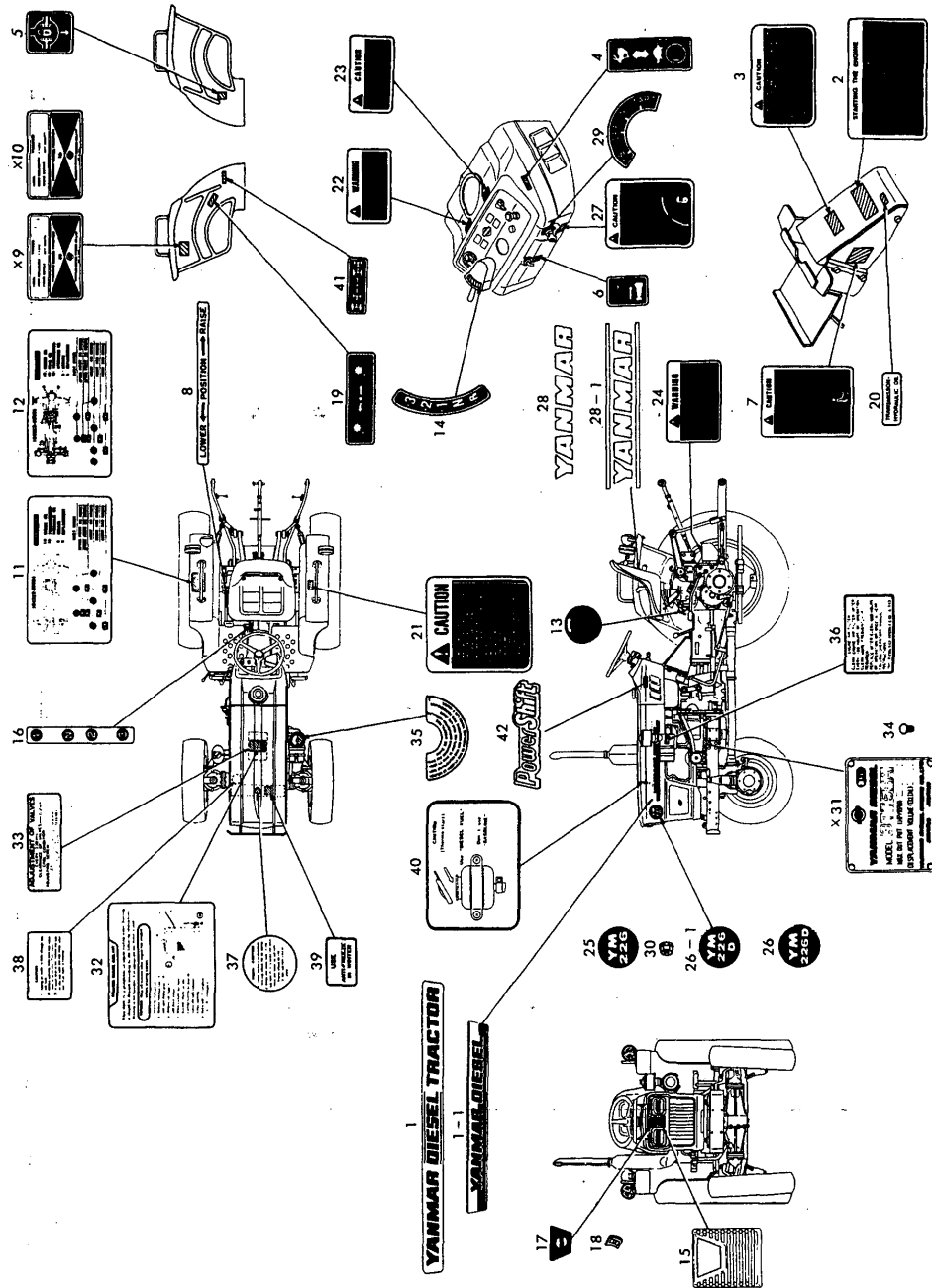


(A)=YM226
(B)=YM226D
(C)=

(D)=
(E)=
(F)=

| No. | Lev. | Parts No. | Description | Q'ty | | | | | | I | R |
|-----|------|----------------|---------------------|------|-----|-----|-----|-----|-----|---|---|
| | | | | (A) | (B) | (C) | (D) | (E) | (F) | | |
| 1 | 1 | 194448-63110-X | SEAT, OPERATOR | 1 | 1 | | | | | | |
| 2 | 1 | 194448-63120-X | STAY, NUMBER PLATE | 1 | 1 | | | | | | |
| 3 | 1 | 194432-63210-X | BRACKET, SEAT | 1 | 1 | | | | | | |
| 4 | 1 | 194140-63221 | PIN, HINGE | 1 | 1 | | | | | | |
| 5 | 1 | 194151-63240 | RUBBER, CUSHION | 2 | 2 | | | | | | |
| 6 | 1 | 194281-63240 | SPRING | 2 | 2 | | | | | | |
| 7 | 1 | 194151-63250 | COLLAR, CUSHION | 2 | 2 | | | | | | |
| 8 | 1 | 194322-63250 | HOLDER | 2 | 2 | | | | | | |
| 9 | 1 | 194322-63280 | COVER, SEAT SPRING | 2 | 2 | | | | | | |
| 10 | 1 | 22137-080000 | WASHER, 8 | 2 | 2 | | | | | | |
| 11 | 1 | 22217-080000 | WASHER, SPRING 8 | 2 | 2 | | | | | | |
| 12 | 1 | 22360-080000 | SNAP PIN 8 | 1 | 1 | | | | | | |
| 13 | 1 | 26013-080252 | BOLT, M8X 25 | 4 | 4 | | | | | | |
| 14 | 1 | 26116-080552 | BOLT, M8X 55 PLATED | 2 | 2 | | | | | | |
| 15 | 1 | 194155-05210 | BOLT, M6X16 | 2 | 2 | | | | | | |

Fig.72. LABELS (U.S.A.)



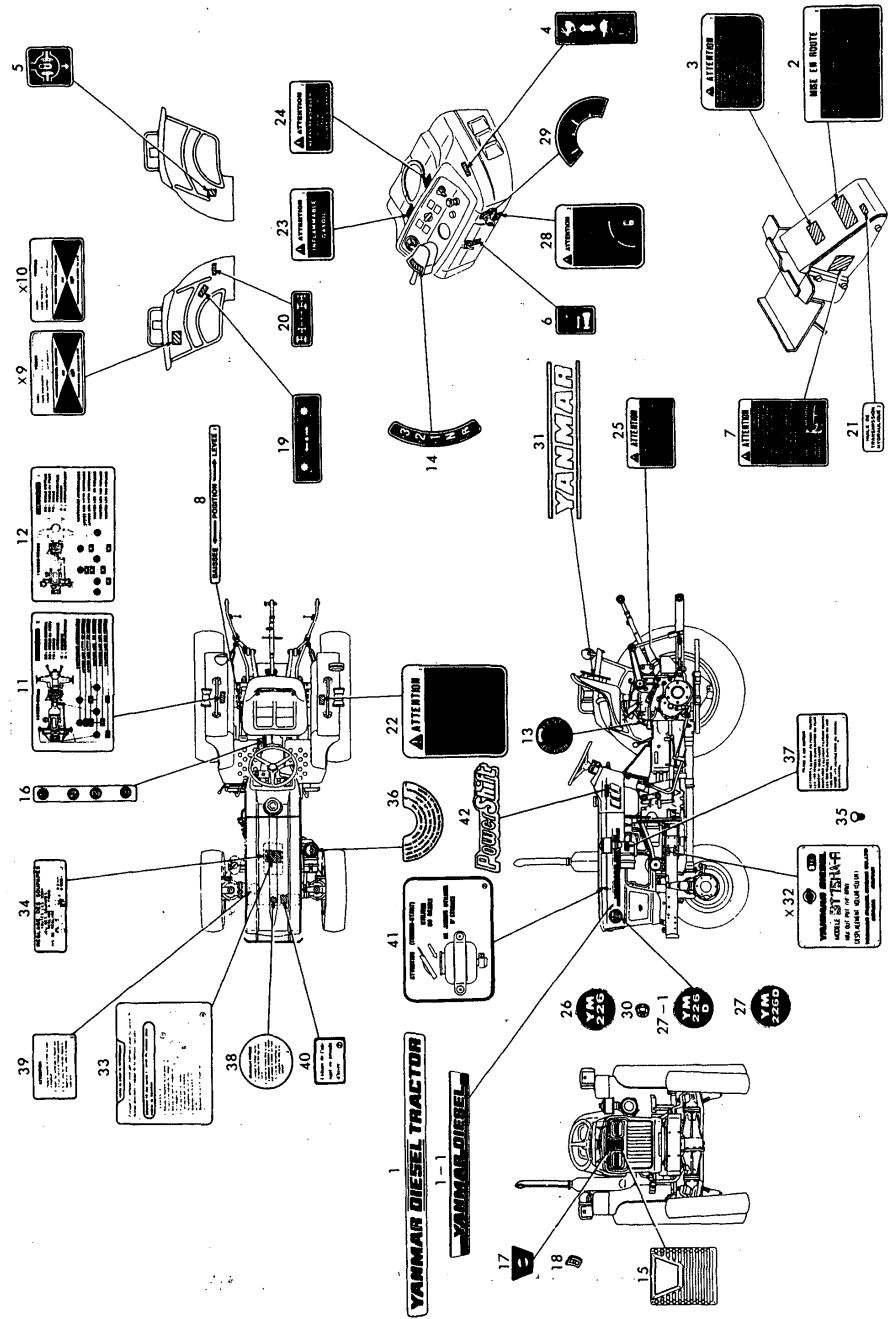
(A)=YM226
(B)=YM226D
(C)=

(D)=
(E)=
(F)=

| No. | Lev. | Parts No. | Description | Qty | | | | | | I | R |
|------|------|-----------------------------|-----------------------|-----|-----|-----|-----|-----|-----|---|---|
| | | | | (A) | (B) | (C) | (D) | (E) | (F) | | |
| 1 | 1 | 194446-64751 | LABEL, MODEL | 2 | 2 | | | | | | |
| 1-1 | 1 | 194446-64752 | LABEL, SIDE | 2 | 2 | | | | | | N |
| | | (A=*1981.) (B=*1981.) | | | | | | | | | |
| 2 | 1 | 194446-65351 | LABEL, ENG. STARTING | 1 | 1 | | | | | | |
| 2-1 | 1 | 194446-65352 | LABEL, ENG. STARTING | 1 | 1 | | | | | | R |
| | | (A=*1982.) (B=*1982.) | | | | | | | | | |
| 3 | 1 | 194446-65361 | LABEL, COLD STARTING | 1 | 1 | | | | | | |
| 4 | 1 | 194240-65432 | LABEL, THROTTLE LEVER | 1 | 1 | | | | | | |
| 5 | 1 | 194240-65441 | LABEL, DIFF. LOCK | 1 | 1 | | | | | | |
| 6 | 1 | 194370-65451 | LABEL, DECOMPRESSION | 1 | 1 | | | | | | |
| 7 | 1 | 194446-65461 | LABEL, CLUTCH CAUTION | 1 | 1 | | | | | | |
| 8 | 1 | 194170-65510 | LABEL, HYDRAULIC LIFT | 1 | 1 | | | | | | |
| 11 | 1 | 194322-65561 | LABEL, LUBRICATION | 1 | | | | | | | |
| 12 | 1 | 194323-65561 | LABEL, LUBRICATION | | 1 | | | | | | |
| 13 | 1 | 194170-65570 | LABEL, SLOW RETURN | 1 | 1 | | | | | | |
| 14 | 1 | 194170-65580 | LABEL, MAIN SHIFT | 1 | 1 | | | | | | |
| 15 | 1 | 194420-65590 | EMBLEM, FLAME | 1 | 1 | | | | | | |
| 16 | 1 | 194432-65590 | LABEL, RANGE SHIFT | 1 | 1 | | | | | | |
| 17 | 1 | 194448-65600 | EMBLEM, FRONT | 1 | 1 | | | | | | |
| 18 | 1 | 194200-65610 | NUT, FLAT | 4 | 4 | | | | | | |
| 19 | 1 | 194273-65611 | LABEL, P.T.O. SHIFT | 1 | 1 | | | | | | |
| 20 | 1 | 194446-65630 | LABEL, GEAR OIL | 1 | 1 | | | | | | |
| 21 | 1 | 194275-65660 | LABEL, CAUTION | 1 | 1 | | | | | | |
| 22 | 1 | 194240-65671 | LABEL, FUEL INDICAT. | 1 | 1 | | | | | | |
| 23 | 1 | 194446-65681 | LABEL, DO NOT TOW | 1 | 1 | | | | | | |
| 24 | 1 | 194170-65620 | LABEL, WARNING | 1 | 1 | | | | | | |
| 25 | 1 | 194432-65720 | LABEL, SIDE MARK | 2 | | | | | | | |
| 25-1 | 1 | 194432-65721 | LABEL, SIDE MARK | 2 | | | | | | | N |
| | | (A=*1981.) | | | | | | | | | |
| 26 | 1 | 194433-65720 | LABEL, SIDE MARK | | 2 | | | | | | |
| 26-1 | 1 | 194433-65721 | LABEL, SIDE MARK | | 2 | | | | | | N |
| | | (B=*1981.) | | | | | | | | | |
| 27 | 1 | 194170-65470 | LABEL, LEVER POSITION | 1 | 1 | | | | | | |
| 28 | 1 | 194170-65890 | LABEL, SEAT | 1 | 1 | | | | | | |
| 28-1 | 1 | 194170-65891 | LABEL, SEAT | 1 | 1 | | | | | | N |
| | | (A=*1981.) (B=*1981.) | | | | | | | | | |
| 29 | 1 | 194310-65720 | LABEL, KEY SWITCH | 1 | 1 | | | | | | |
| 30 | 1 | 194990-22120 | NUT, M5 | 4 | 4 | | | | | | |
| 32 | 1 | 121254-07150 | LABEL, WATER DRAIN | 1 | 1 | | | | | | |
| 33 | 1 | 124064-07160 | LABEL, VALVE ADJUST. | 1 | 1 | | | | | | |
| 34 | 1 | 102210-07990 | RIVET | 4 | 4 | | | | | | |
| 35 | 1 | 121454-12480 | LABEL, PRE-CLEANER | 1 | 1 | | | | | | |
| 36 | 1 | 121454-12520 | LABEL, AIR-CLEANER | 1 | 1 | | | | | | |
| 37 | 1 | 124764-44800 | LABEL, RADIATOR | 1 | 1 | | | | | | |
| 38 | 1 | 124764-44810 | LABEL, RESERVE TANK | 1 | 1 | | | | | | |
| 39 | 1 | 124764-44920 | LABEL, ANTI-FREEZING | 1 | 1 | | | | | | |
| 40 | 1 | 124764-77980 | LABEL, FUEL CAUTION | 1 | 1 | | | | | | |
| 41 | 1 | 194447-65621 | LABEL, 4-DRIVE WHEEL | | 1 | | | | | | |
| 42 | 1 | 194800-65350 | LABEL, MAIN SHIFT | 2 | 2 | | | | | | W |
| | | (A=T/# 20615) (B=T/# 41206) | | | | | | | | | |

Fig. 72 LABELS (U.S.A.)

Fig.73. LABELS (FRANCE)



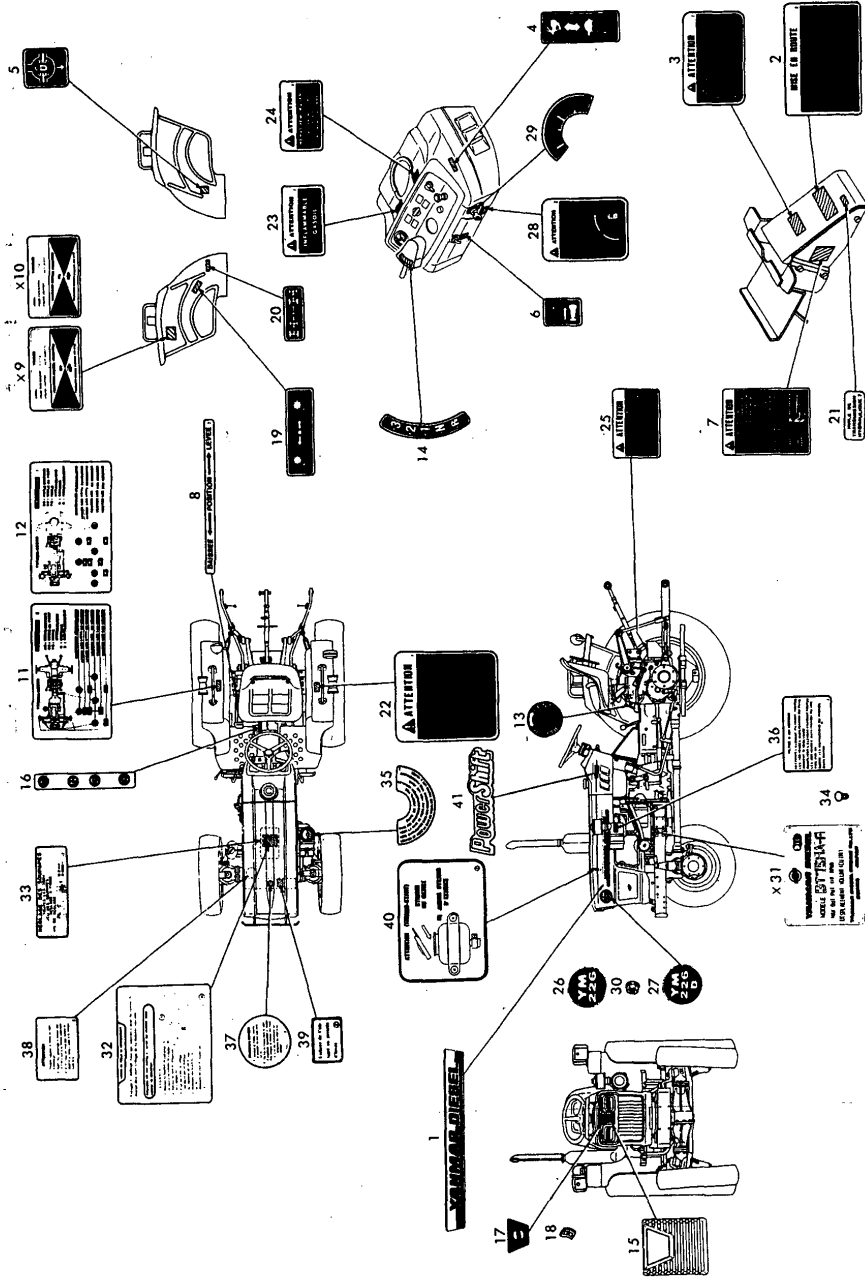
(A)=YM226
(B)=YM226D
(C)=

(D)=
(E)=
(F)=

| No. | Lev. | Parts No. | Description | Q'ty | | | | | | I | R |
|------|------|-----------------------------|-----------------------|------|-----|-----|-----|-----|-----|---|---|
| | | | | (A) | (B) | (C) | (D) | (E) | (F) | | |
| 1 | 1 | 194446-64751 | LABEL, MODEL | 2 | 2 | | | | | | |
| 1-1 | 1 | 194446-64752 | LABEL, SIDE | 2 | 2 | | | | | | N |
| | | (A=*1981.) (B=*1981.) | | | | | | | | | |
| 2 | 1 | 194448-65350 | LABEL, ENG. STARTING | 1 | 1 | | | | | | |
| 3 | 1 | 194448-65360 | LABEL, COLD STARTING | 1 | 1 | | | | | | |
| 4 | 1 | 194240-65432 | LABEL, THROTTLE LEVER | 1 | 1 | | | | | | |
| 5 | 1 | 194240-65441 | LABEL, DIFF. LOCK | 1 | 1 | | | | | | |
| 6 | 1 | 194370-65451 | LABEL, DECOMPRESSION | 1 | 1 | | | | | | |
| 7 | 1 | 194448-65460 | LABEL, CLUTCH CAUTION | 1 | 1 | | | | | | |
| 8 | 1 | 194172-65510 | LABEL, P. INDICATION | 1 | 1 | | | | | | |
| 11 | 1 | 194324-65560 | LABEL, LUBRICATION | 1 | | | | | | | |
| 12 | 1 | 194325-65560 | LABEL, LUBRICATION | | 1 | | | | | | |
| 13 | 1 | 194172-65570 | LABEL, SLOW RETURN | 1 | 1 | | | | | | |
| 14 | 1 | 194170-65580 | LABEL, MAIN SHIFT | 1 | 1 | | | | | | |
| 15 | 1 | 194420-65590 | EMBLEM, FLAME | 1 | 1 | | | | | | |
| 16 | 1 | 194432-65590 | LABEL, RANGE SHIFT | 1 | 1 | | | | | | |
| 17 | 1 | 194448-65600 | EMBLEM, FRONT | 1 | 1 | | | | | | |
| 18 | 1 | 194200-65610 | NUT, FLAT | 4 | 4 | | | | | | |
| 19 | 1 | 194273-65611 | LABEL, P.T.O. SHIFT | 1 | 1 | | | | | | |
| 20 | 1 | 194447-65621 | LABEL, 4-DRIVE WHEEL | | 1 | | | | | | |
| 21 | 1 | 194448-65630 | LABEL, GEAR OIL | 1 | 1 | | | | | | |
| 22 | 1 | 194448-65660 | LABEL, CAUTION | 1 | 1 | | | | | | |
| 23 | 1 | 194240-98221 | LABEL, FUEL OIL | 1 | 1 | | | | | | |
| 24 | 1 | 194448-65680 | LABEL, DO NOT TOW | 1 | 1 | | | | | | |
| 25 | 1 | 194170-65620 | LABEL, WARNING | 1 | 1 | | | | | | |
| 25-1 | 1 | 194448-65620 | LABEL, WARNING | 1 | 1 | | | | | | N |
| | | (A=*) (B=*) | | | | | | | | | |
| 26 | 1 | 194432-65720 | LABEL, SIDE MARK | | 2 | | | | | | |
| 26-1 | 1 | 194432-65721 | LABEL, SIDE MARK | | 2 | | | | | | N |
| | | (A=*1981.) | | | | | | | | | |
| 27 | 1 | 194433-65720 | LABEL, SIDE MARK | | 2 | | | | | | |
| 27-1 | 1 | 194433-65721 | LABEL, SIDE MARK | | 2 | | | | | | N |
| | | (B=*1981.) | | | | | | | | | |
| 28 | 1 | 194500-65470 | LABEL, LEVER POSITION | 1 | 1 | | | | | | |
| 29 | 1 | 194240-98251 | LABEL, KEY SWITCH | 1 | 1 | | | | | | |
| 30 | 1 | 194990-22120 | NUT, M5 | 4 | 4 | | | | | | |
| 31 | 1 | 194170-65891 | LABEL, SEAT | 1 | 1 | | | | | | |
| 33 | 1 | 121241-07150 | LABEL, WATER DRAIN | 1 | 1 | | | | | | |
| 34 | 1 | 124040-07160 | LABEL, VALVE ADJUST. | 1 | 1 | | | | | | |
| 35 | 1 | 102210-07990 | RIVET | 4 | 4 | | | | | | |
| 36 | 1 | 121440-12480 | LABEL, AIR CLEANER(F | 1 | 1 | | | | | | |
| 37 | 1 | 121440-12520 | LABEL, PRE-CLEANER(F | 1 | 1 | | | | | | |
| 38 | 1 | 124740-44800 | LABEL, RADIATOR | 1 | 1 | | | | | | |
| 39 | 1 | 124740-44810 | LABEL, SUB-TANK | 1 | 1 | | | | | | |
| 40 | 1 | 124740-44920 | LABEL, ANTI-FREEZING | 1 | 1 | | | | | | |
| 41 | 1 | 124740-77980 | LABEL, FUEL CAUTION | 1 | 1 | | | | | | |
| 42 | 1 | 194800-65350 | LABEL, MAIN SHIFT | 2 | 2 | | | | | | W |
| | | (A=T/# 20615) (B=T/# 41206) | | | | | | | | | |

Fig. 73 LABELS (France)

Fig.74. LABELS (EUROPE)



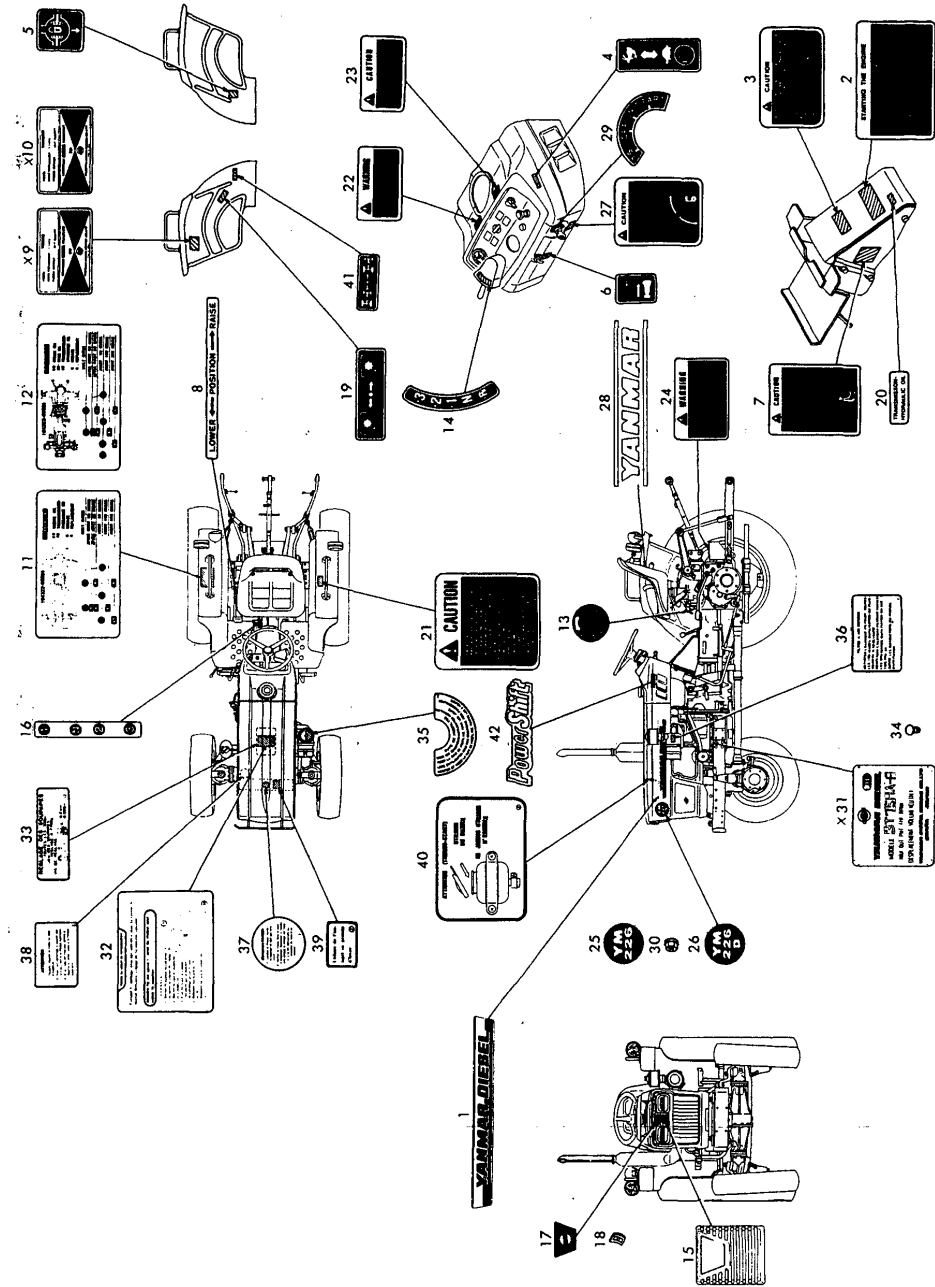
(A)=YM226
(B)=YM226D
(C)=

(D)=
(E)=
(F)=

| No. | Lev. | Parts No. | Description | Qty | | | | | | I | R |
|-----|------|--------------|-----------------------|-----|-----|-----|-----|-----|-----|---|---|
| | | | | (A) | (B) | (C) | (D) | (E) | (F) | | |
| 1 | 1 | 194446-64752 | LABEL, SIDE | 2 | 2 | | | | | | |
| 2 | 1 | 194448-65350 | LABEL, ENG. STARTING | 1 | 1 | | | | | | |
| 3 | 1 | 194448-65360 | LABEL, COLD STARTING | 1 | 1 | | | | | | |
| 4 | 1 | 194240-65432 | LABEL, THROTTLE LEVER | 1 | 1 | | | | | | |
| 5 | 1 | 194240-65441 | LABEL, DIFF. LOCK | 1 | 1 | | | | | | |
| 6 | 1 | 194370-65451 | LABEL, DECOMPRESSION | 1 | 1 | | | | | | |
| 7 | 1 | 194448-65460 | LABEL, CLUTCH CAUTION | 1 | 1 | | | | | | |
| 8 | 1 | 194172-65510 | LABEL, P. INDICATION | 1 | 1 | | | | | | |
| 11 | 1 | 194324-65560 | LABEL, LUBRICATION | 1 | | | | | | | |
| 12 | 1 | 194325-65560 | LABEL, LUBRICATION | | 1 | | | | | | |
| 13 | 1 | 194172-65570 | LABEL, SLOW RETURN | 1 | 1 | | | | | | |
| 14 | 1 | 194170-65580 | LABEL, MAIN SHIFT | 1 | 1 | | | | | | |
| 15 | 1 | 194420-65590 | EMBLEM, FLAME | 1 | 1 | | | | | | |
| 16 | 1 | 194432-65590 | LABEL, RANGE SHIFT | 1 | 1 | | | | | | |
| 17 | 1 | 194448-65600 | EMBLEM, FRONT | 1 | 1 | | | | | | |
| 18 | 1 | 194200-65610 | NUT, FLAT | 4 | 4 | | | | | | |
| 19 | 1 | 194273-65611 | LABEL, P.T.O. SHIFT | 1 | 1 | | | | | | |
| 20 | 1 | 194447-65621 | LABEL, 4-DRIVE WHEEL | 1 | 1 | | | | | | |
| 21 | 1 | 194448-65630 | LABEL, GEAR OIL | 1 | 1 | | | | | | |
| 22 | 1 | 194448-65660 | LABEL, CAUTION | 1 | 1 | | | | | | |
| 23 | 1 | 194240-98221 | LABEL, FUEL OIL | 1 | 1 | | | | | | |
| 24 | 1 | 194448-65680 | LABEL, DO NOT TOW | 1 | 1 | | | | | | |
| 25 | 1 | 194448-65620 | LABEL, WARNING | 1 | 1 | | | | | | |
| 26 | 1 | 194432-65721 | LABEL, SIDE MARK | 2 | | | | | | | |
| 27 | 1 | 194433-65721 | LABEL, SIDE MARK | | 2 | | | | | | |
| 28 | 1 | 194500-65470 | LABEL, LEVER POSITION | 1 | 1 | | | | | | |
| 29 | 1 | 194240-98251 | LABEL, KEY SWITCH | 1 | 1 | | | | | | |
| 30 | 1 | 194990-22120 | NUT, M5 | 4 | 4 | | | | | | |
| 32 | 1 | 121241-07150 | LABEL, WATER DRAIN | 1 | 1 | | | | | | |
| 33 | 1 | 124040-07160 | LABEL, VALVE ADJUST. | 1 | 1 | | | | | | |
| 34 | 1 | 102210-07990 | RIVET | 4 | 4 | | | | | | |
| 35 | 1 | 121440-12480 | LABEL, AIR CLEANER(F) | 1 | 1 | | | | | | |
| 36 | 1 | 121440-12520 | LABEL, PRE-CLEANER(F) | 1 | 1 | | | | | | |
| 37 | 1 | 124740-44800 | LABEL, RADIATOR | 1 | 1 | | | | | | |
| 38 | 1 | 124740-44810 | LABEL, SUB-TANK | 1 | 1 | | | | | | |
| 39 | 1 | 124740-44920 | LABEL, ANTI-FREEZING | 1 | 1 | | | | | | |
| 40 | 1 | 124740-77980 | LABEL, FUEL CAUTION | 1 | 1 | | | | | | |
| 41 | 1 | 194800-65350 | LABEL, MAIN SHIFT | 2 | 2 | | | | | | |

Fig. 74 LABELS (Europe)

Fig.75. LABELS (ENGLAND)



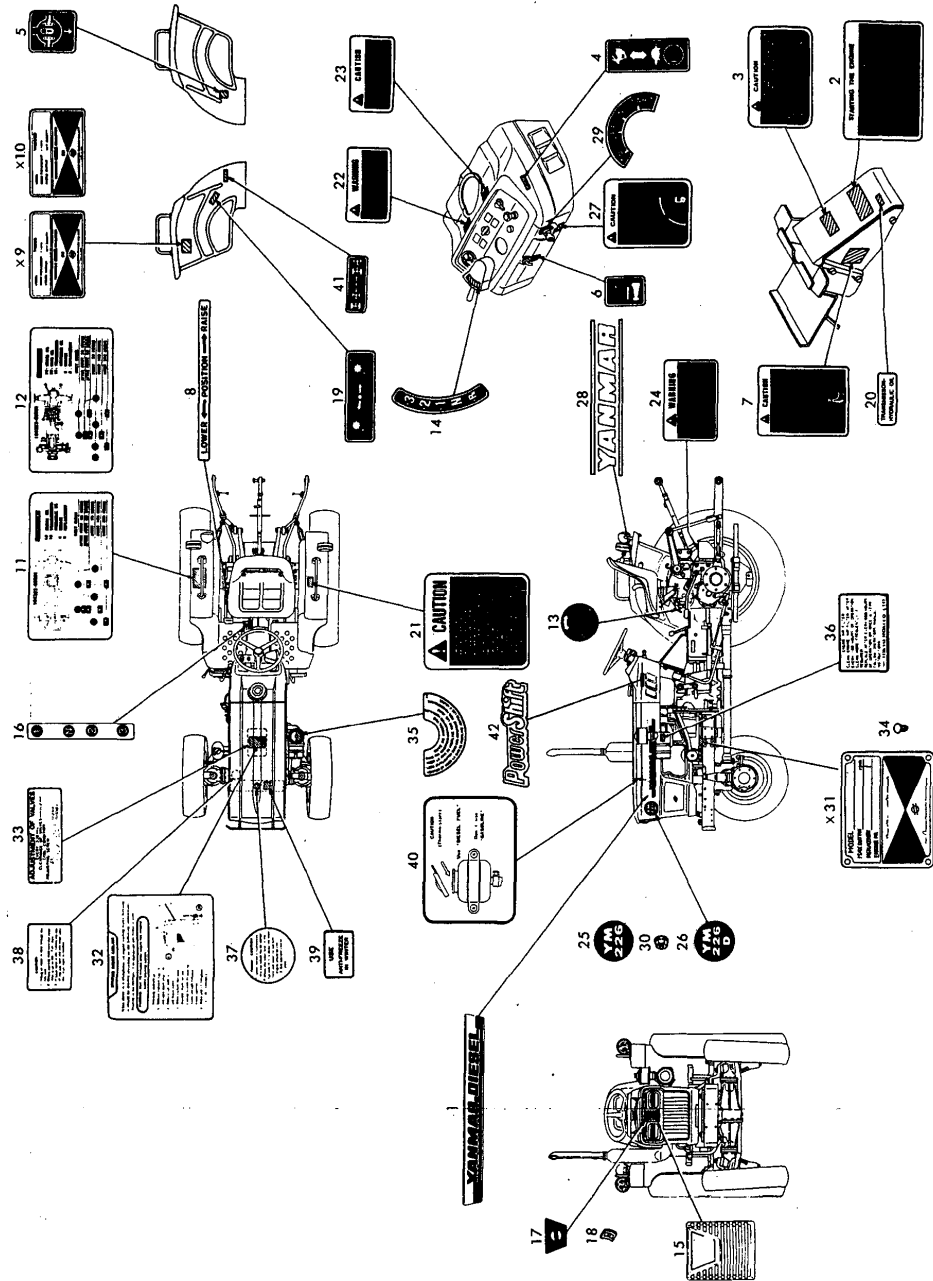
(A)=YM226
(B)=YM226D
(C)=

(D)=
(E)=
(F)=

| No. | Lev. | Parts No. | Description | Q'ty | | | | | | I | R |
|-----|------|--------------|-----------------------|------|-----|-----|-----|-----|-----|---|---|
| | | | | (A) | (B) | (C) | (D) | (E) | (F) | | |
| 1 | 1 | 194446-64752 | LABEL, SIDE | 2 | 2 | | | | | | |
| 2 | 1 | 194446-65352 | LABEL, ENG. STARTING | 1 | 1 | | | | | | |
| 3 | 1 | 194446-65361 | LABEL, COLD STARTING | 1 | 1 | | | | | | |
| 4 | 1 | 194240-65432 | LABEL, THROTTLE LEVER | 1 | 1 | | | | | | |
| 5 | 1 | 194240-65441 | LABEL, DIFF. LOCK | 1 | 1 | | | | | | |
| 6 | 1 | 194370-65451 | LABEL, DECOMPRESSION | 1 | 1 | | | | | | |
| 7 | 1 | 194446-65461 | LABEL, CLUTCH CAUTION | 1 | 1 | | | | | | |
| 8 | 1 | 194170-65510 | LABEL, HYDRAULIC LIFT | 1 | 1 | | | | | | |
| 11 | 1 | 194322-65561 | LABEL, LUBRICATION | 1 | | | | | | | |
| 12 | 1 | 194323-65561 | LABEL, LUBRICATION | | | | 1 | | | | |
| 13 | 1 | 194170-65570 | LABEL, SLOW RETURN | 1 | 1 | | | | | | |
| 14 | 1 | 194170-65580 | LABEL, MAIN SHIFT | 1 | 1 | | | | | | |
| 15 | 1 | 194420-65590 | EMBLEM, FLAME | 1 | 1 | | | | | | |
| 16 | 1 | 194432-65590 | LABEL, RANGE SHIFT | 1 | 1 | | | | | | |
| 17 | 1 | 194448-65600 | EMBLEM, FRONT | 1 | 1 | | | | | | |
| 18 | 1 | 194200-65610 | NUT, FLAT | 4 | 4 | | | | | | |
| 19 | 1 | 194273-65611 | LABEL, P.T.O. SHIFT | 1 | 1 | | | | | | |
| 20 | 1 | 194446-65630 | LABEL, GEAR OIL | 1 | 1 | | | | | | |
| 21 | 1 | 194275-65660 | LABEL, CAUTION | 1 | 1 | | | | | | |
| 22 | 1 | 194240-65671 | LABEL, FUEL INDICAT. | 1 | 1 | | | | | | |
| 23 | 1 | 194446-65681 | LABEL, DO NOT TOW | 1 | 1 | | | | | | |
| 24 | 1 | 194170-65620 | LABEL, WARNING | 1 | 1 | | | | | | |
| 25 | 1 | 194432-65721 | LABEL, SIDE MARK | 2 | | | | | | | |
| 26 | 1 | 194433-65721 | LABEL, SIDE MARK | | | | 2 | | | | |
| 27 | 1 | 194170-65470 | LABEL, LEVER POSITION | 1 | 1 | | | | | | |
| 28 | 1 | 194170-65891 | LABEL, SEAT | 1 | 1 | | | | | | |
| 29 | 1 | 194310-65720 | LABEL, KEY SWITCH | 1 | 1 | | | | | | |
| 30 | 1 | 194990-22120 | NUT, M5 | 4 | 4 | | | | | | |
| 32 | 1 | 121241-07150 | LABEL, WATER DRAIN | 1 | 1 | | | | | | |
| 33 | 1 | 124040-07160 | LABEL, VALVE ADJUST. | 1 | 1 | | | | | | |
| 34 | 1 | 102210-07990 | RIVET | 4 | 4 | | | | | | |
| 35 | 1 | 121440-12520 | LABEL, PRE-CLEANER(F) | 1 | 1 | | | | | | |
| 36 | 1 | 121440-12480 | LABEL, AIR CLEANER(F) | 1 | 1 | | | | | | |
| 37 | 1 | 124740-44800 | LABEL, RADIATOR | 1 | 1 | | | | | | |
| 38 | 1 | 124740-44810 | LABEL, SUB-TANK | 1 | 1 | | | | | | |
| 39 | 1 | 124740-44920 | LABEL, ANTI-FREEZING | 1 | 1 | | | | | | |
| 40 | 1 | 124740-77980 | LABEL, FUEL CAUTION | 1 | 1 | | | | | | |
| 41 | 1 | 194447-65621 | LABEL, 4-DRIVE WHEEL | | | | 1 | | | | |
| 42 | 1 | 194800-65350 | LABEL, MAIN SHIFT | 2 | 2 | | | | | | |

Fig. 75 LABELS (England)

Fig.76. LABELS (SCANDINAVIA)



(A)=YM226
(B)=YM226D
(C)=

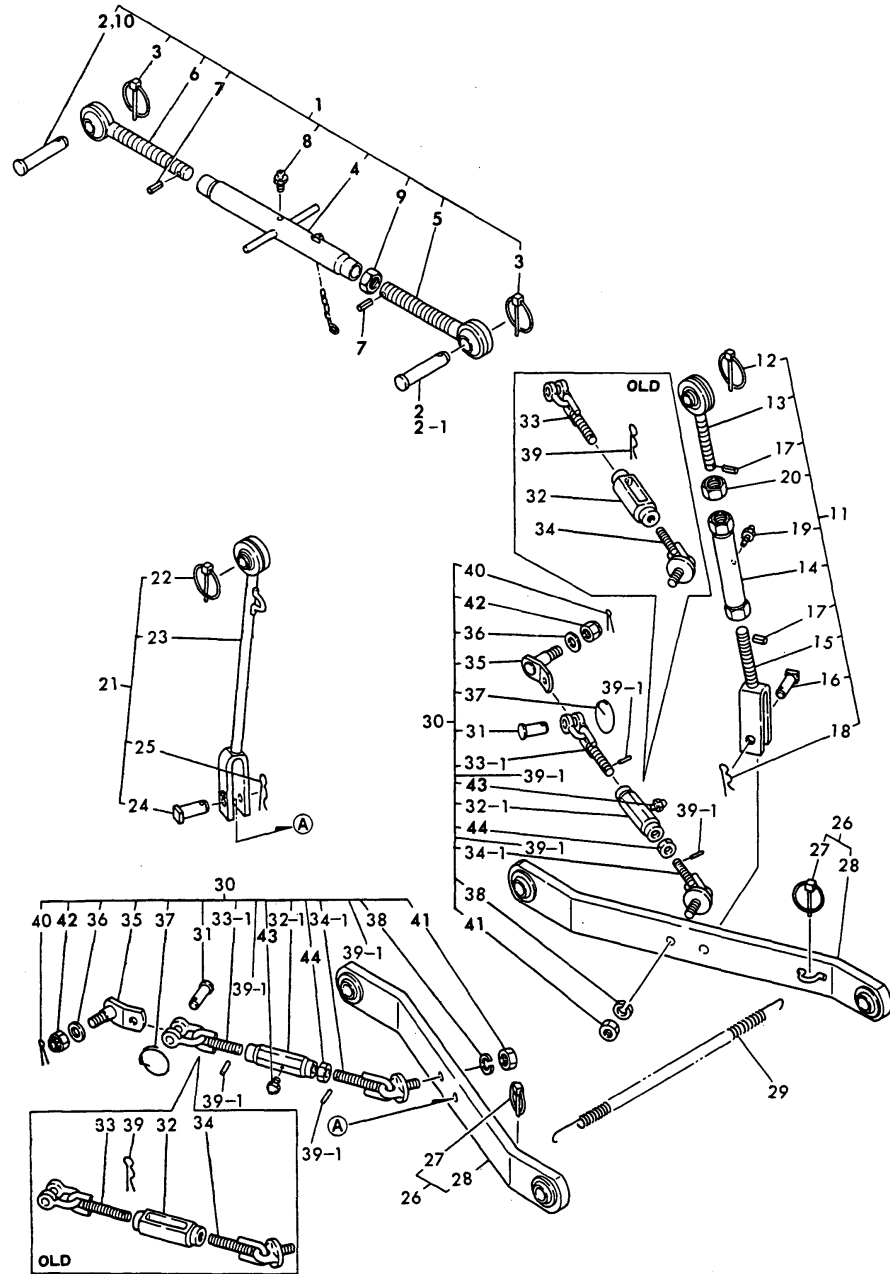
(D)=
(E)=
(F)=

| No. | Lev. | Parts No. | Description | Q'ty | | | | | | I | R |
|-----|------|--------------|-----------------------|------|-----|-----|-----|-----|-----|---|---|
| | | | | (A) | (B) | (C) | (D) | (E) | (F) | | |
| 1 | 1 | 194446-64752 | LABEL, SIDE | 2 | 2 | | | | | | |
| 2 | 1 | 194446-65352 | LABEL, ENG. STARTING | 1 | 1 | | | | | | |
| 3 | 1 | 194446-65361 | LABEL, COLD STARTING | 1 | 1 | | | | | | |
| 4 | 1 | 194240-65432 | LABEL, THROTTLE LEVER | 1 | 1 | | | | | | |
| 5 | 1 | 194240-65441 | LABEL, DIFF. LOCK | 1 | 1 | | | | | | |
| 6 | 1 | 194370-65451 | LABEL, DECOMPRESSION | 1 | 1 | | | | | | |
| 7 | 1 | 194446-65461 | LABEL, CLUTCH CAUTION | 1 | 1 | | | | | | |
| 8 | 1 | 194170-65510 | LABEL, HYDRAULIC LIFT | 1 | 1 | | | | | | |
| 11 | 1 | 194322-65561 | LABEL, LUBRICATION | 1 | | | | | | | |
| 12 | 1 | 194323-65561 | LABEL, LUBRICATION | | 1 | | | | | | |
| 13 | 1 | 194170-65570 | LABEL, SLOW RETURN | 1 | 1 | | | | | | |
| 14 | 1 | 194170-65580 | LABEL, MAIN SHIFT | 1 | 1 | | | | | | |
| 15 | 1 | 194420-65590 | EMBLEM, FLAME | 1 | 1 | | | | | | |
| 16 | 1 | 194432-65590 | LABEL, RANGE SHIFT | 1 | 1 | | | | | | |
| 17 | 1 | 194448-65600 | EMBLEM, FRONT | 1 | 1 | | | | | | |
| 18 | 1 | 194200-65610 | NUT, FLAT | 4 | 4 | | | | | | |
| 19 | 1 | 194273-65611 | LABEL, P.T.O. SHIFT | 1 | 1 | | | | | | |
| 20 | 1 | 194446-65630 | LABEL, GEAR OIL | 1 | 1 | | | | | | |
| 21 | 1 | 194275-65660 | LABEL, CAUTION | 1 | 1 | | | | | | |
| 22 | 1 | 194240-65671 | LABEL, FUEL INDICAT. | 1 | 1 | | | | | | |
| 23 | 1 | 194446-65681 | LABEL, DO NOT TOW | 1 | 1 | | | | | | |
| 24 | 1 | 194170-65620 | LABEL, WARNING | 1 | 1 | | | | | | |
| 25 | 1 | 194432-65721 | LABEL, SIDE MARK | 2 | | | | | | | |
| 26 | 1 | 194433-65721 | LABEL, SIDE MARK | | 2 | | | | | | |
| 27 | 1 | 194170-65470 | LABEL, LEVER POSITION | 1 | 1 | | | | | | |
| 28 | 1 | 194170-65891 | LABEL, SEAT | 1 | 1 | | | | | | |
| 29 | 1 | 194310-65720 | LABEL, KEY SWITCH | 1 | 1 | | | | | | |
| 30 | 1 | 194990-22120 | NUT, M5 | 4 | 4 | | | | | | |
| 32 | 1 | 121241-07150 | LABEL, WATER DRAIN | 1 | 1 | | | | | | |
| 33 | 1 | 124040-07160 | LABEL, VALVE ADJUST. | 1 | 1 | | | | | | |
| 34 | 1 | 102210-07990 | RIVET | 4 | 4 | | | | | | |
| 35 | 1 | 121440-12520 | LABEL, PRE-CLEANER(F) | 1 | 1 | | | | | | |
| 36 | 1 | 121440-12480 | LABEL, AIR CLEANER(F) | 1 | 1 | | | | | | |
| 37 | 1 | 124740-44800 | LABEL, RADIATOR | 1 | 1 | | | | | | |
| 38 | 1 | 124740-44810 | LABEL, SUB-TANK | 1 | 1 | | | | | | |
| 39 | 1 | 124740-44920 | LABEL, ANTI-FREEZING | 1 | 1 | | | | | | |
| 40 | 1 | 124740-77980 | LABEL, FUEL CAUTION | 1 | 1 | | | | | | |
| 41 | 1 | 194447-65621 | LABEL, 4-DRIVE WHEEL | | 1 | | | | | | |
| 42 | 1 | 194800-65350 | LABEL, MAIN SHIFT | 2 | 2 | | | | | | |

Fig. 76 LABELS (Scandinavia)

Fig.77. THREE-POINT HITCH

Fig. 77 THREE-POINT HITCH



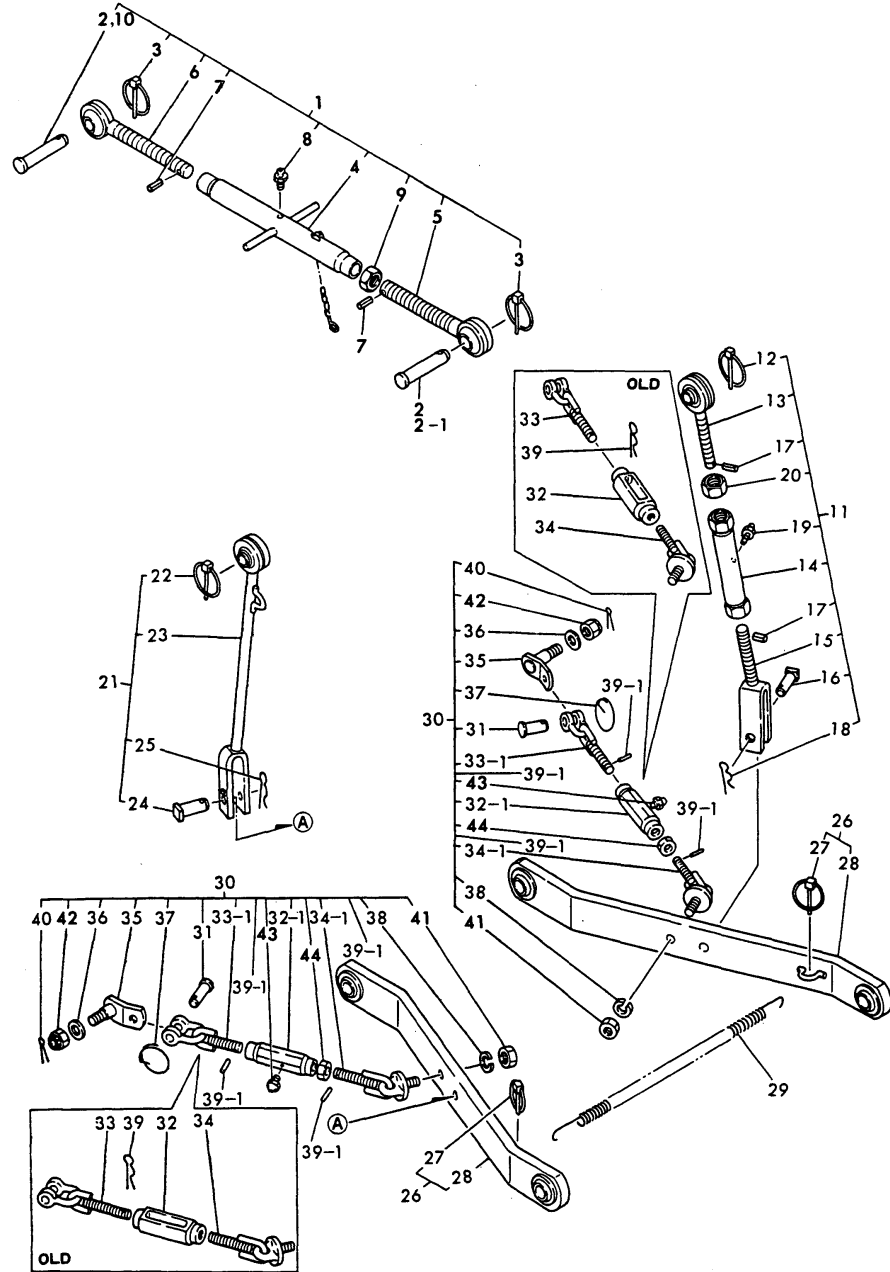
(A)=YM226
(B)=YM226D
(C)=

(D)=
(E)=
(F)=

| No. | Lev. | Parts No. | Description | Q'ty | | | | | | I | R |
|------|------|-----------------------------|----------------------|------|-----|-----|-----|-----|-----|---|-----|
| | | | | (A) | (B) | (C) | (D) | (E) | (F) | | |
| 1 | 1 | 794286-71100-X | LINK ASSY, TOP | 1 | 1 | | | | | | |
| 1-1 | 1 | 794286-71101-X | LINK ASSY, TOP | 1 | 1 | | | | | | N |
| | | (A=*1982.10) (B=*1982.10) | | | | | | | | | |
| 2 | 2 | 194150-71230 | PIN, LINK | 2 | 2 | | | | | | |
| 2-1 | 2 | 194150-71230 | PIN, LINK | 1 | 1 | | | | | | K |
| | | (A=*1982.10) (B=*1982.10) | | | | | | | | | |
| 3 | 2 | 794130-71410 | PIN ASSY, BALL | 2 | 2 | | | | | | |
| 4 | 2 | 194286-71500-X | TURNBUCKLE | 1 | 1 | | | | | | |
| 5 | 2 | 194322-71600-X | EYE-BOLT (R) | 1 | 1 | | | | | | |
| 6 | 2 | 194322-71700-X | EYE-BOLT (L) | 1 | 1 | | | | | | |
| 7 | 2 | 22351-040024 | PIN, SPRING 4.0X24 | 2 | 2 | | | | | | |
| 8 | 2 | 24761-060000 | NIPPLE, GREASE MT6X1 | 1 | 1 | | | | | | |
| 9 | 2 | 26756-240002 | NUT, LOCK M24 | 1 | 1 | | | | | | |
| 10 | 2 | 195080-15060 | PIN, HITCH | 1 | 1 | | | | | | W |
| | | (A=*1982.10) (B=*1982.10) | | | | | | | | | |
| 11 | 1 | 794432-72100-X | LINK ASSY, LIFT | 1 | 1 | | | | | | |
| 12 | 2 | 794130-71410 | PIN ASSY, BALL | 1 | 1 | | | | | | |
| 13 | 2 | 194197-72201-X | BOLT W/BALL, EYE | 1 | 1 | | | | | | |
| 14 | 2 | 194170-72230-X | TURNBUCKLE | 1 | 1 | | | | | | |
| 15 | 2 | 194432-72400-X | YOKE, LIFT LINK | 1 | 1 | | | | | | |
| 16 | 2 | 194145-72550 | PIN, LIFT YOKE | 1 | 1 | | | | | | |
| 17 | 2 | 22351-040022 | PIN, SPRING 4.0X22 | 2 | 2 | | | | | | |
| 18 | 2 | 22360-160000 | PIN, SNAP 16 | 1 | 1 | | | | | | |
| 19 | 2 | 24761-010000 | NIPPLE, GREASE M6F | 1 | 1 | | | | | | |
| 20 | 2 | 26756-200002 | NUT, LOCK M20 | 1 | 1 | | | | | | |
| 21 | 1 | 794432-72200-X | LINK ASSY, LIFT | 1 | 1 | | | | | | |
| 22 | 2 | 794130-71410 | PIN ASSY, BALL | 1 | 1 | | | | | | |
| 23 | 2 | 194432-72300-X | LINK ASSY, LIFT | 1 | 1 | | | | | | |
| 24 | 2 | 194145-72550 | PIN, LIFT YOKE | 1 | 1 | | | | | | |
| 25 | 2 | 22360-160000 | PIN, SNAP 16 | 1 | 1 | | | | | | |
| 26 | 1 | 794432-73100-X | LINK ASSY, LOWER | 2 | 2 | | | | | | |
| 27 | 2 | 794130-71410 | PIN ASSY, BALL | 2 | 2 | | | | | | |
| 28 | 2 | 194432-73410-X | LINK ASSY, LOWER | 2 | 2 | | | | | | |
| 29 | 1 | 194145-73150 | SPRING, LOCK | 1 | 1 | | | | | | |
| 30 | 1 | 794432-74600-X | CHAIN ASSY, CHECK | 2 | 2 | | | | | | |
| 30-1 | 1 | 794432-74601-X | CHAIN ASSY, CHECK | 2 | 2 | | | | | | S 1 |
| | | (A=T/# 20710) (B=T/# 41836) | | | | | | | | | |
| 31 | 2 | 194080-74631 | PIN, SHACKLE SA10 | 2 | 2 | | | | | | |
| 32 | 2 | 194150-74670-U | TURNBUCKLE, CHAIN | 2 | 2 | | | | | | |
| 32-1 | 2 | 194286-74680-U | TURNBUCKLE, CHAIN | 2 | 2 | | | | | | S 1 |
| | | (A=T/# 20710) (B=T/# 41836) | | | | | | | | | |
| 33 | 2 | 194430-74710-U | CHAIN, CHECK | 2 | 2 | | | | | | |
| 33-1 | 2 | 194432-74720 | CHAIN, CHECK | 2 | 2 | | | | | | S 1 |
| | | (A=T/# 20710) (B=T/# 41836) | | | | | | | | | |
| 34 | 2 | 194420-74800-U | CHAIN ASSY, CHECK | 2 | 2 | | | | | | |
| 34-1 | 2 | 194292-74800-U | CHAIN ASSY, CHECK R | 2 | 2 | | | | | | S 1 |
| | | (A=T/# 20710) (B=T/# 41836) | | | | | | | | | |
| 35 | 2 | 194150-74910-X | HINGE, CHECK CHAIN | 2 | 2 | | | | | | |
| 36 | 2 | 194150-74920 | WASHER | 2 | 2 | | | | | | |
| 37 | 2 | 194145-75250 | RING, STOPPER | 2 | 2 | | | | | | |
| 38 | 2 | 22217-140000 | WASHER, SPRING 14 | 2 | 2 | | | | | | |

Fig.77. THREE-POINT HITCH

Fig. 77 THREE-POINT HITCH



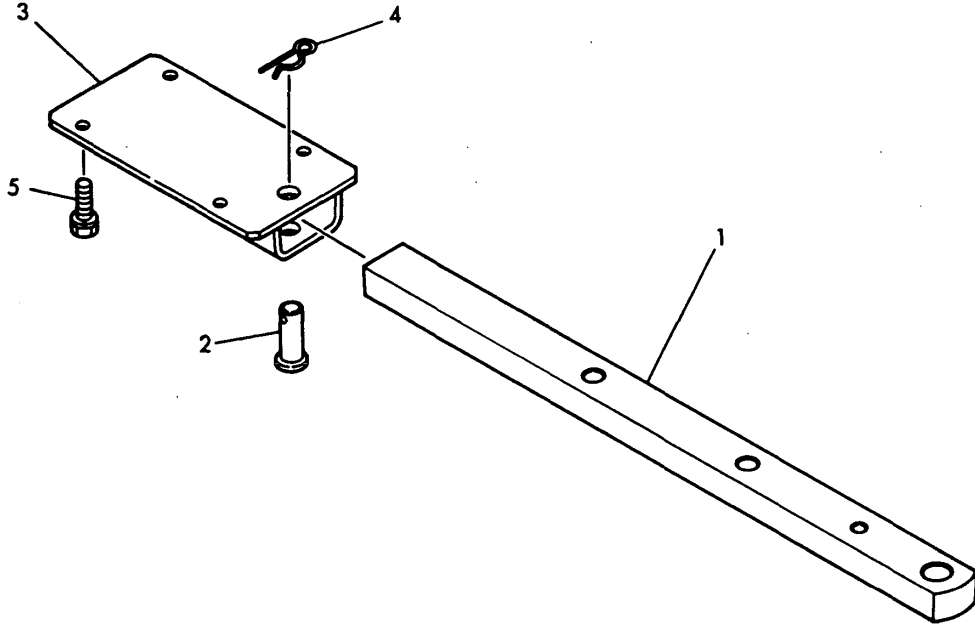
(A)=YM226
(B)=YM226D
(C)=

(D)=
(E)=
(F)=

| No. | Lev. | Parts No. | Description | Qty | | | | | | I | R |
|------|------|-----------------------------|--------------------|-----|-----|-----|-----|-----|-----|---|-----|
| | | | | (A) | (B) | (C) | (D) | (E) | (F) | | |
| 39 | 2 | 22360-200000 | PIN, SNAP 20 | 2 | 2 | | | | | | |
| 39-1 | 2 | 22351-040014 | PIN, SPRING 4.0X14 | 4 | 4 | | | | | S | 1 |
| | | (A=T/# 20710) (B=T/# 41836) | | | | | | | | | |
| 40 | 2 | 22417-300350 | PIN, COTTER 3.0X35 | 2 | 2 | | | | | | |
| 41 | 2 | 26716-140002 | NUT, M14 | 2 | 2 | | | | | | |
| 42 | 2 | 26817-160002 | NUT, CASTLE M16 | 2 | 2 | | | | | | |
| 42-1 | 2 | 26837-160002 | NUT, CASTLE M16 | 2 | 2 | | | | | | N |
| | | (A=*1982.11) (B=*1982.11) | | | | | | | | | |
| 43 | 2 | 24761-010000 | NIPPLE, GREASE M6F | 2 | 2 | | | | | | W 1 |
| | | (A=T/# 20710) (B=T/# 41836) | | | | | | | | | |
| 44 | 2 | 26756-140002 | NUT, LOCK M14 | 2 | 2 | | | | | | W 1 |
| | | (A=T/# 20710) (B=T/# 41836) | | | | | | | | | |

Fig.78. DRAWBAR(EXCEPT ENGLAND)

Fig. 78 DRAWBAR (Except England)



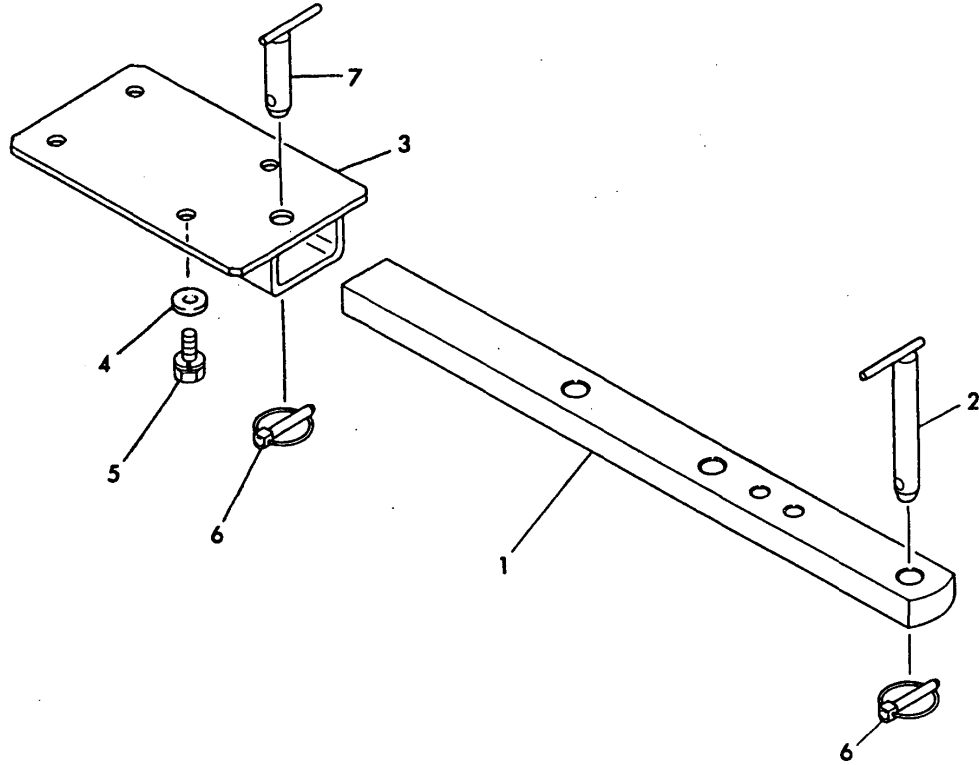
(A)=YM226
(B)=YM226D
(C)=

(D)=
(E)=
(F)=

| No. | Lev. | Parts No. | Description | Q'ty | | | | | | I | R |
|-----|------|----------------|------------------|------|-----|-----|-----|-----|-----|---|---|
| | | | | (A) | (B) | (C) | (D) | (E) | (F) | | |
| 1 | 1 | 194197-75210-X | HITCH, DRAWBAR | 1 | 1 | | | | | | |
| 2 | 1 | 194361-75430 | PIN, HITCH | 1 | 1 | | | | | | |
| 3 | 1 | 194361-75720-X | BRACKET, DRAWBER | 1 | 1 | | | | | | |
| 4 | 1 | 22360-190000 | PIN, SNAP 19 | 1 | 1 | | | | | | |
| 5 | 1 | 26013-120302 | BOLT, M12X 30 | 4 | 4 | | | | | | |

Fig.79. DRAWBAR (ENGLAND)

Fig. 79 DRAWBAR (England)



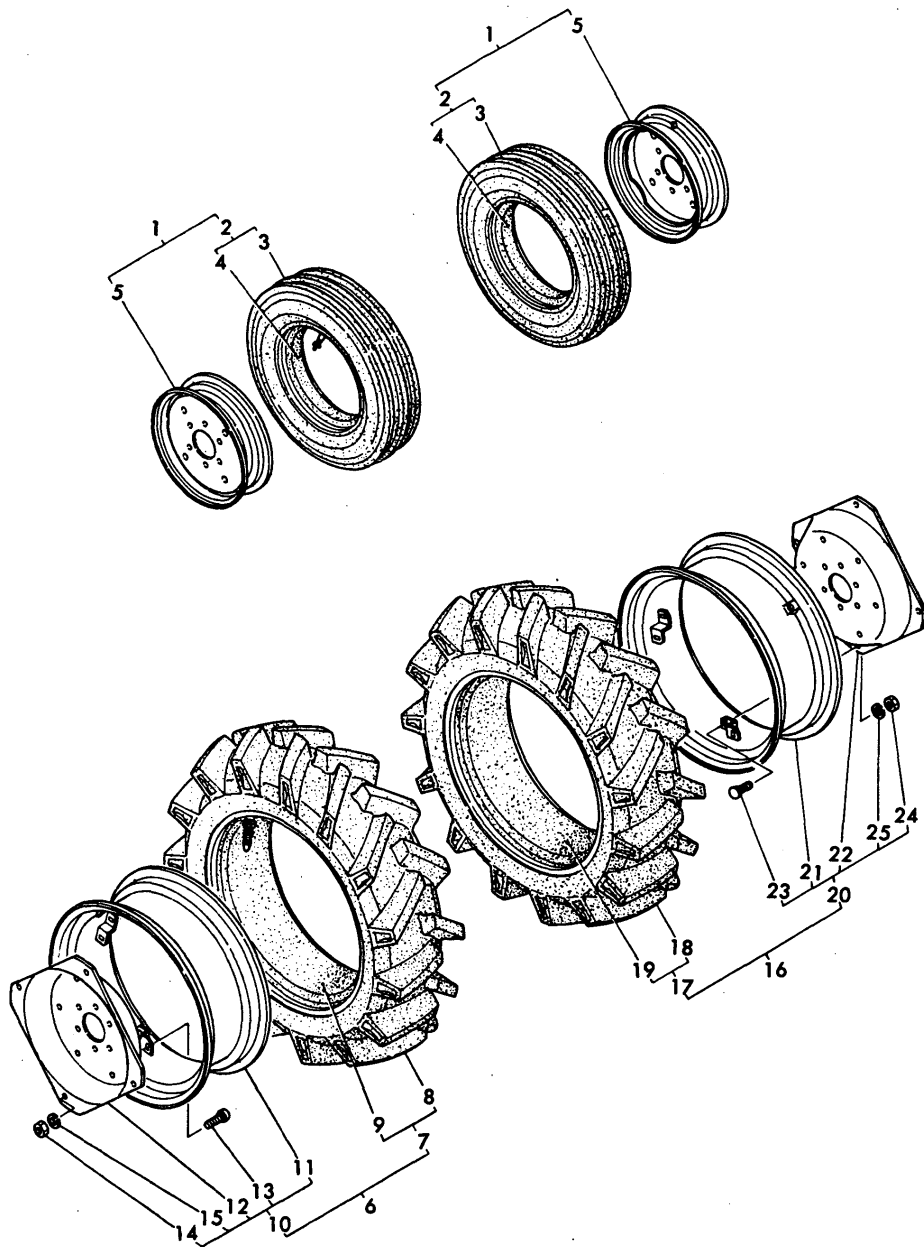
(A)=YM226
(B)=YM226D
(C)=

(D)=
(E)=
(F)=

| No. | Lev. | Parts No. | Description | Q'ty | | | | | | I | R |
|-----|------|--------------|---------------------|------|-----|-----|-----|-----|-----|---|---|
| | | | | (A) | (B) | (C) | (D) | (E) | (F) | | |
| 1 | 1 | 194242-75711 | HITCH, DRAWBER | 1 | 1 | | | | | | |
| 2 | 1 | 194242-75740 | PIN 22X163.5, HITCH | 1 | 1 | | | | | | |
| 3 | 1 | 194240-75720 | BRACKET, DRAWBAR | 1 | 1 | | | | | | |
| 4 | 1 | 22137-120000 | WASHER, 12 | 4 | 4 | | | | | | |
| 5 | 1 | 26013-120302 | BOLT, M12X 30 | 4 | 4 | | | | | | |
| 6 | 1 | 794130-71410 | PIN ASSY, BALL | 2 | 2 | | | | | | |
| 7 | 1 | 194292-75750 | PIN 22X100, HITCH | 1 | 1 | | | | | | |

Fig.80. AG TIRES(FOR YM226,FRANCE)

Fig. 80 AG TIRES (FRONT & REAR) [For Model YM226]



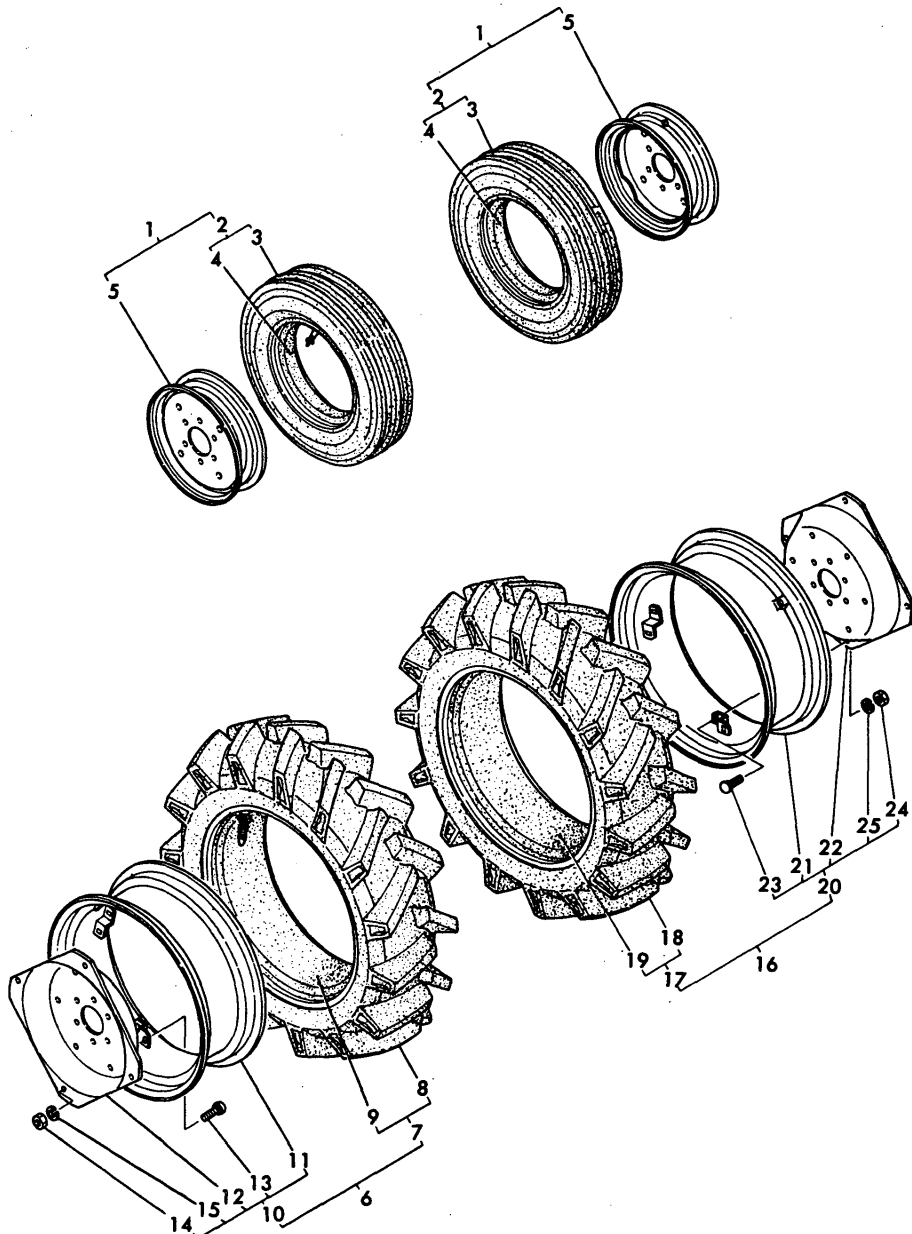
(A)=YM226
(B)=YM226D
(C)=

(D)=
(E)=
(F)=

| No. | Lev. | Parts No. | Description | Qty | | | | | | I | R |
|---------------|------|----------------|--------------------|-----|-----|-----|-----|-----|-----|---|---|
| | | | | (A) | (B) | (C) | (D) | (E) | (F) | | |
| 1 | 1 | 194432-12900-P | TIRE ASSY, FRONT | 2 | | | | | | | |
| 2 | 2 | 794081-12950 | TIRE W/TUBE 5 X15 | 2 | | | | | | | |
| 3 | 3 | 194081-12960 | TIRE 5 X15 | 2 | | | | | | | |
| 4 | 3 | 194081-12970 | TUBE, 5.00-15 | 2 | | | | | | | |
| 5 | 2 | 194275-12910-P | WHEEL DC3.00DX15 | 2 | | | | | | | |
| 6 | 1 | 194432-34700-P | TIRE ASSY(L), REAR | 1 | | | | | | | |
| 7 | 2 | 194432-34900 | TIRE W/TUBE11.2X24 | 1 | | | | | | | |
| 8 | 3 | 194432-34910 | TIRE | 1 | | | | | | | |
| 9 | 3 | 194432-34920 | TUBE | 1 | | | | | | | |
| 10 | 2 | 794130-34880-P | WHEEL W 9X 24W | 1 | | | | | | | |
| 11 | 3 | 194130-34891-P | RIM W9-24 | 1 | | | | | | | |
| 12 | 3 | 194130-34811-P | DISC | 1 | | | | | | | |
| 13 | 3 | 194130-34850 | BOLT M16X 35 | 4 | | | | | | | |
| 13-1 | 3 | 194555-34850 | BOLT M16X 35 | 4 | | | | | | | N |
| (A=T/# 20722) | | | | | | | | | | | |
| 14 | 3 | 194130-34840 | NUT M16 | 4 | | | | | | | |
| 14-1 | 3 | 194555-34210 | NUT, M16 | 4 | | | | | | | N |
| (A=T/# 20722) | | | | | | | | | | | |
| 15 | 3 | 22217-160000 | WASHER, SPRING 16 | 4 | | | | | | | |
| 15-1 | 3 | 194555-34190 | WASHER, SPRING 16 | 4 | | | | | | | N |
| (A=T/# 20722) | | | | | | | | | | | |
| 16 | 1 | 194432-34800-P | TIRE ASSY(R), REAR | 1 | | | | | | | |
| 17 | 2 | 194432-34900 | TIRE W/TUBE11.2X24 | 1 | | | | | | | |
| 18 | 3 | 194432-34910 | TIRE | 1 | | | | | | | |
| 19 | 3 | 194432-34920 | TUBE | 1 | | | | | | | |
| 20 | 2 | 794130-34880-P | WHEEL W 9X 24W | 1 | | | | | | | |
| 21 | 3 | 194130-34891-P | RIM W9-24 | 1 | | | | | | | |
| 22 | 3 | 194130-34811-P | DISC | 1 | | | | | | | |
| 23 | 3 | 194130-34850 | BOLT M16X 35 | 4 | | | | | | | |
| 23-1 | 3 | 194555-34850 | BOLT M16X 35 | 4 | | | | | | | N |
| (A=T/# 20722) | | | | | | | | | | | |
| 24 | 3 | 194130-34840 | NUT M16 | 4 | | | | | | | |
| 24-1 | 3 | 194555-34210 | NUT, M16 | 4 | | | | | | | N |
| (A=T/# 20722) | | | | | | | | | | | |
| 25 | 3 | 22217-160000 | WASHER, SPRING 16 | 4 | | | | | | | |
| 25-1 | 3 | 194555-34190 | WASHER, SPRING 16 | 4 | | | | | | | N |
| (A=T/# 20722) | | | | | | | | | | | |

Fig.81. AG TIRES(FOR YM226,STANDARD)

Fig. 81 AG TIRES (FRONT & REAR) [For Model YM226]



(A)=YM226
(B)=YM226D
(C)=

(D)=
(E)=
(F)=

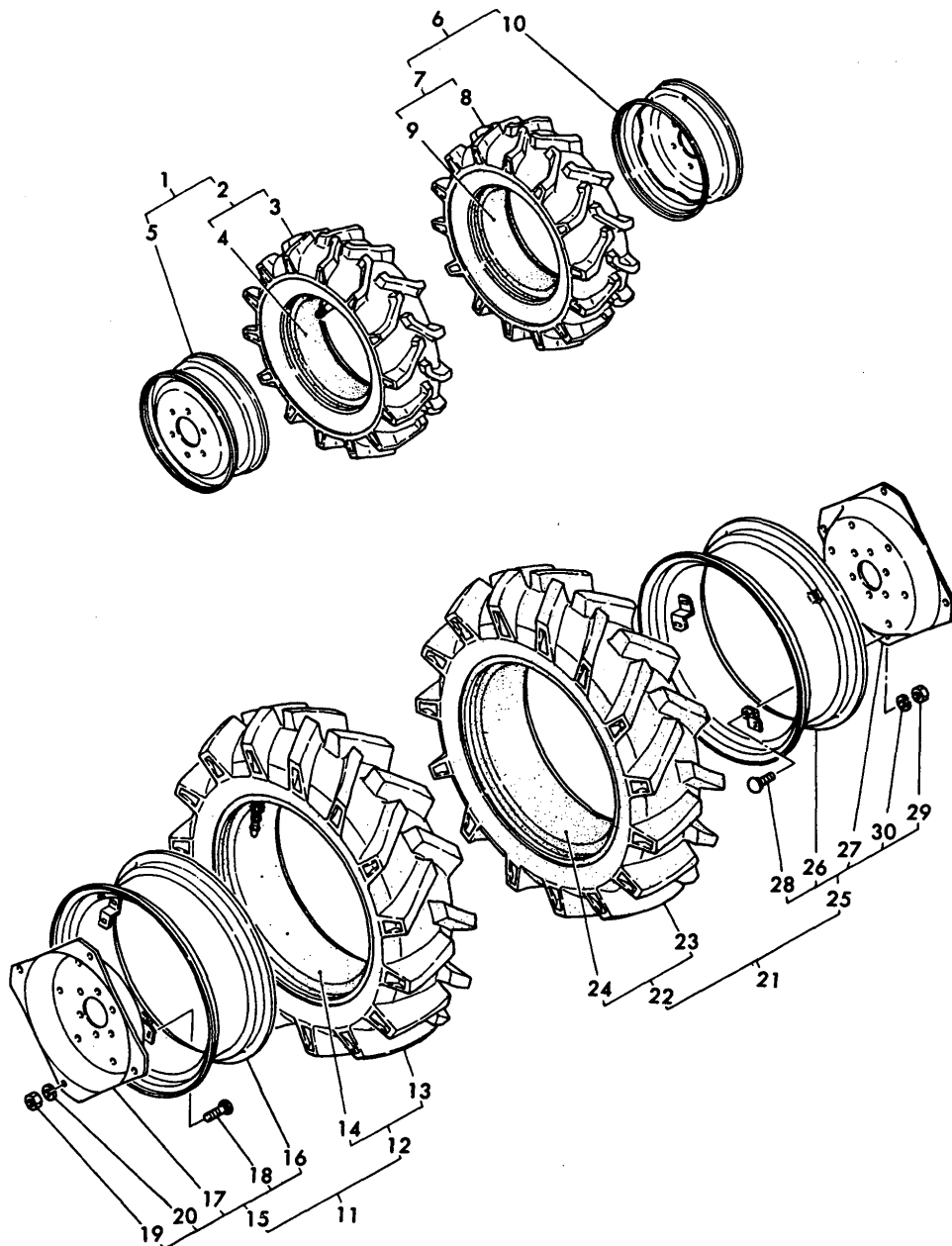
| No. | Lev. | Parts No. | Description | Q'ty | | | | | | I | R |
|---------------|------|----------------|---------------------|------|-----|-----|-----|-----|-----|---|---|
| | | | | (A) | (B) | (C) | (D) | (E) | (F) | | |
| 1 | 1 | 194432-12900-Q | TIRE ASSY 5 X15 | 2 | | | | | | | |
| 2 | 2 | 794081-12950 | TIRE W/TUBE 5 X15 | 2 | | | | | | | |
| 3 | 3 | 194081-12960 | TIRE 5 X15 | 2 | | | | | | | |
| 4 | 3 | 194081-12970 | TUBE, 5.00-15 | 2 | | | | | | | |
| 5 | 2 | 194275-12910-Q | WHEEL DC3.00-15 | 2 | | | | | | | |
| 6 | 1 | 194432-34700-Q | TIRE ASSY 11.2X24 | 1 | | | | | | | |
| 7 | 2 | 194432-34900 | TIRE W/TUBE 11.2X24 | 1 | | | | | | | |
| 8 | 3 | 194432-34910 | TIRE | 1 | | | | | | | |
| 9 | 3 | 194432-34920 | TUBE | 1 | | | | | | | |
| 10 | 2 | 794130-34880-Q | WHEEL W 9X 24W | 1 | | | | | | | |
| 11 | 3 | 194130-34891-Q | RIM W9-24 | 1 | | | | | | | |
| 12 | 3 | 194130-34811-Q | DISC | 1 | | | | | | | |
| 13 | 3 | 194130-34850 | BOLT M16X 35 | 4 | | | | | | | |
| 13-1 | 3 | 194555-34850 | BOLT M16X 35 | 4 | | | | | | | N |
| (A=T/# 20722) | | | | | | | | | | | |
| 14 | 3 | 194130-34840 | NUT M16 | 4 | | | | | | | |
| 14-1 | 3 | 194555-34210 | NUT, M16 | 4 | | | | | | | N |
| (A=T/# 20722) | | | | | | | | | | | |
| 15 | 3 | 22217-160000 | WASHER, SPRING 16 | 4 | | | | | | | |
| 15-1 | 3 | 194555-34190 | WASHER, SPRING 16 | 4 | | | | | | | N |
| (A=T/# 20722) | | | | | | | | | | | |
| 16 | 1 | 194432-34800-Q | TIRE ASSY 11.2X24 | 1 | | | | | | | |
| 17 | 2 | 194432-34900 | TIRE W/TUBE 11.2X24 | 1 | | | | | | | |
| 18 | 3 | 194432-34910 | TIRE | 1 | | | | | | | |
| 19 | 3 | 194432-34920 | TUBE | 1 | | | | | | | |
| 20 | 2 | 794130-34880-Q | WHEEL W 9X 24W | 1 | | | | | | | |
| 21 | 3 | 194130-34891-Q | RIM W9-24 | 1 | | | | | | | |
| 22 | 3 | 194130-34811-Q | DISC | 1 | | | | | | | |
| 23 | 3 | 194130-34850 | BOLT M16X 35 | 4 | | | | | | | |
| 23-1 | 3 | 194555-34850 | BOLT M16X 35 | 4 | | | | | | | N |
| (A=T/# 20722) | | | | | | | | | | | |
| 24 | 3 | 194130-34840 | NUT M16 | 4 | | | | | | | |
| 24-1 | 3 | 194555-34210 | NUT, M16 | 4 | | | | | | | N |
| (A=T/# 20722) | | | | | | | | | | | |
| 25 | 3 | 22217-160000 | WASHER, SPRING 16 | 4 | | | | | | | |
| 25-1 | 3 | 194555-34190 | WASHER, SPRING 16 | 4 | | | | | | | N |
| (A=T/# 20722) | | | | | | | | | | | |

Fig.82. AG TIRES(FOR YM226D,FRANCE)

(A)=YM226
(B)=YM226D
(C)=

(D)=
(E)=
(F)=

Fig. 82 AG TIRES (FRONT & REAR) [For Model YM226D]



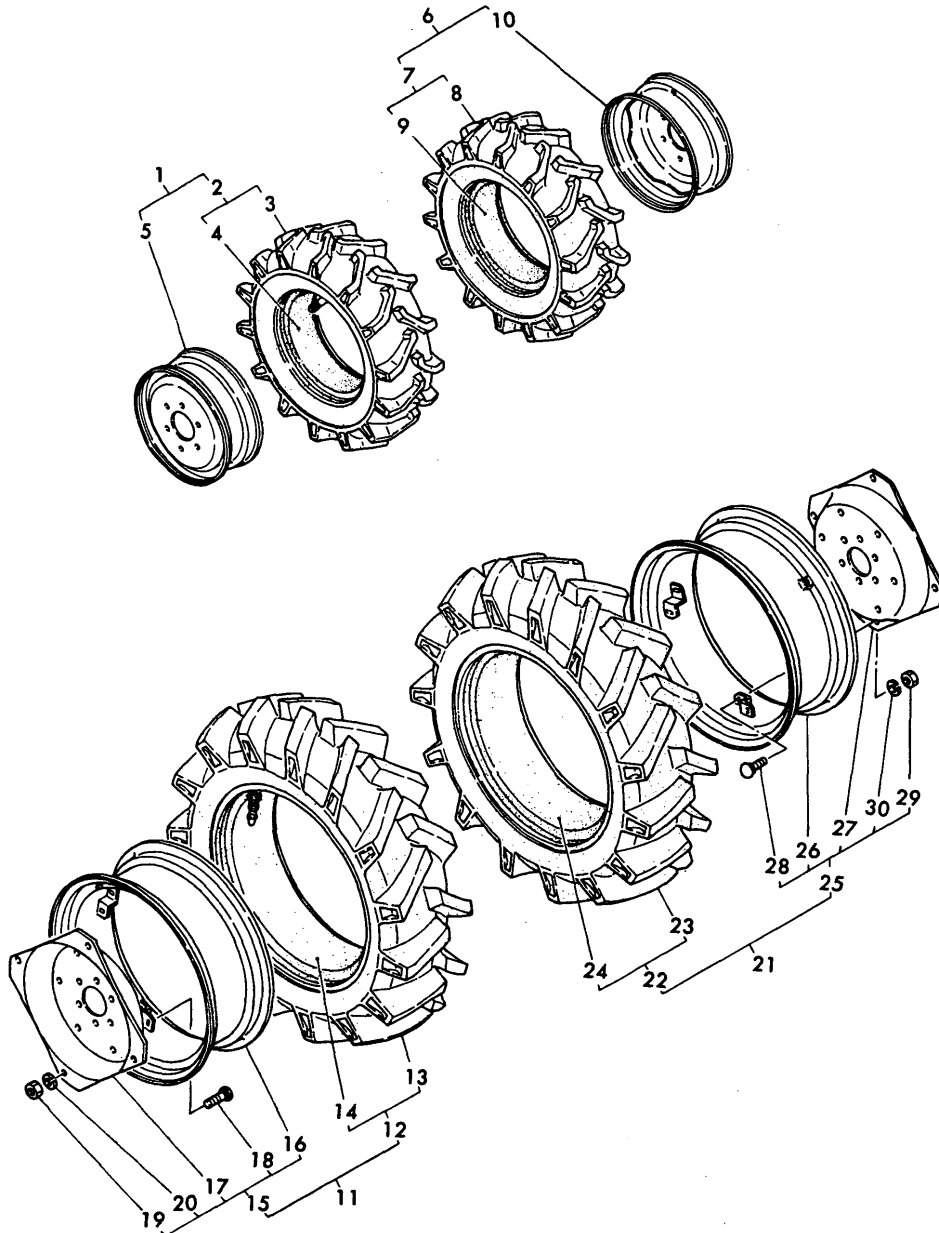
| No. | Lev. | Parts No. | Description | Q'ty | | | | | | I | R |
|------|------|---------------------------------|---------------------|------|-----|-----|-----|-----|-----|---|---|
| | | | | (A) | (B) | (C) | (D) | (E) | (F) | | |
| 1 | 1 | 794166-14700-P | TIRE ASSY 5 X14 | | 1 | | | | | | |
| 1-1 | 1 | 198341-14750-P (B=T/# 42090) | TIRE(L) ASSY, FRONT | | 1 | | | | | | N |
| 2 | 2 | 194166-14800 | TIRE W/TUBE 6 X14 | | 1 | | | | | | |
| 3 | 3 | 194166-14810 | TIRE, 6-14 4 FSLM | | 1 | | | | | | |
| 4 | 3 | 194166-14820 | TUBE, 6-14 | | 1 | | | | | | |
| 5 | 2 | 194311-14700-P | WHEEL DC5JAX14W | | 1 | | | | | | |
| 5-1 | 2 | 194362-14700-P (B=T/# 42090) | WHEEL 5JAX14WDC | | 1 | | | | | | N |
| 6 | 1 | 794166-14800-P | TIRE ASSY 6 X14 | | 1 | | | | | | |
| 6-1 | 1 | 198341-14850-P (B=T/# 42090) | TIRE(R) ASSY, FRONT | | 1 | | | | | | N |
| 7 | 2 | 194166-14800 | TIRE W/TUBE 6 X14 | | 1 | | | | | | |
| 8 | 3 | 194166-14810 | TIRE, 6-14 4 FSLM | | 1 | | | | | | |
| 9 | 3 | 194166-14820 | TUBE, 6-14 | | 1 | | | | | | |
| 10 | 2 | 194311-14700-P | WHEEL DC5JAX14W | | 1 | | | | | | |
| 10-1 | 2 | 194362-14700-P (B=T/# 42090) | WHEEL 5JAX14WDC | | 1 | | | | | | N |
| 11 | 1 | 194433-34700-P | TIRE ASSY(L), REAR | | 1 | | | | | | |
| 12 | 2 | 194433-34900 | TIRE W/TUBE 9.5X24 | | 1 | | | | | | |
| 13 | 3 | 194433-34910 | TIRE, 9.5-24 4 FSLF | | 1 | | | | | | |
| 14 | 3 | 194433-34920 | TUBE | | 1 | | | | | | |
| 15 | 2 | 794130-34800-P | WHEEL W 7X 24W | | 1 | | | | | | |
| 16 | 3 | 194130-34821-P | WHEEL | | 1 | | | | | | |
| 17 | 3 | 194130-34811-P | DISC | | 1 | | | | | | |
| 18 | 3 | 194130-34850 | BOLT M16X 35 | | 4 | | | | | | |
| 18-1 | 3 | 194555-34850 (B=T/# 41898) | BOLT M16X 35 | | 4 | | | | | | N |
| 19 | 3 | 194130-34840 | NUT M16 | | 4 | | | | | | |
| 19-1 | 3 | 194555-34210 (B=T/# 41898) | NUT, M16 | | 4 | | | | | | N |
| 20 | 3 | 22217-160000 | WASHER, SPRING 16 | | 4 | | | | | | |
| 20-1 | 3 | 194555-34190 (B=T/# 41898) | WASHER, SPRING 16 | | 4 | | | | | | N |
| 21 | 1 | 194433-34800-P | TIRE ASSY(R), REAR | | 1 | | | | | | |
| 22 | 2 | 194433-34900 | TIRE W/TUBE 9.5X24 | | 1 | | | | | | |
| 23 | 3 | 194433-34910 | TIRE, 9.5-24 4 FSLF | | 1 | | | | | | |
| 24 | 3 | 194433-34920 | TUBE | | 1 | | | | | | |
| 25 | 2 | 794130-34800-P | WHEEL W 7X 24W | | 1 | | | | | | |
| 26 | 3 | 194130-34821-P | WHEEL | | 1 | | | | | | |
| 27 | 3 | 194130-34811-P | DISC | | 1 | | | | | | |
| 28 | 3 | 194130-34850 | BOLT M16X 35 | | 4 | | | | | | |
| 28-1 | 3 | 194555-34850 (B=T/# 41898) | BOLT M16X 35 | | 4 | | | | | | N |
| 29 | 3 | 194130-34840 | NUT M16 | | 4 | | | | | | |
| 29-1 | 3 | 194555-34210 (B=T/# 41898) | NUT, M16 | | 4 | | | | | | N |
| 30 | 3 | 22217-160000 | WASHER, SPRING 16 | | 4 | | | | | | |
| 30-1 | 3 | 194555-34190 (B=T/# 41898) | WASHER, SPRING 16 | | 4 | | | | | | N |

Fig.83. AG TIRES(FOR YM226D,STANDARD)

(A)=YM226
(B)=YM226D
(C)=

(D)=
(E)=
(F)=

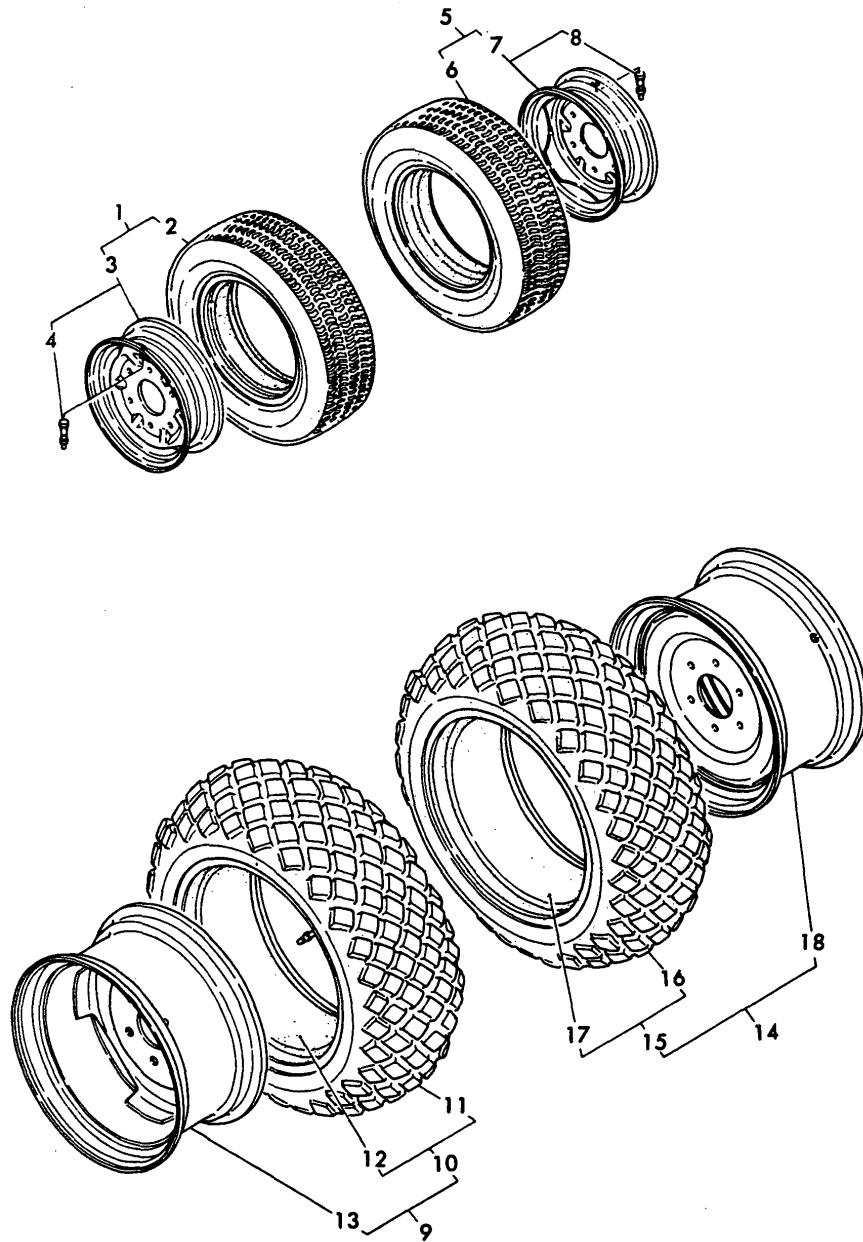
Fig. 83 AG TIRES (FRONT & REAR) [For Model YM226D]



| No. | Lev. | Parts No. | Description | Q'ty | | | | | | I | R |
|------|------|---------------------------------|---------------------|------|-----|-----|-----|-----|-----|---|---|
| | | | | (A) | (B) | (C) | (D) | (E) | (F) | | |
| 1 | 1 | 794166-14700-Q | TIRE ASSY 6 X14 | | 1 | | | | | | |
| 1-1 | 1 | 198341-14750-Q (B=T/# 42090) | TIRE(L) ASSY, FRONT | | 1 | | | | | | N |
| 2 | 2 | 194166-14800 | TIRE W/TUBE 6 X14 | | 1 | | | | | | |
| 3 | 3 | 194166-14810 | TIRE, 6-14 4 FSLM | | 1 | | | | | | |
| 4 | 3 | 194166-14820 | TUBE, 6-14 | | 1 | | | | | | |
| 5 | 2 | 194311-14700-Q | WHEEL DC5JAX14W | | 1 | | | | | | |
| 5-1 | 2 | 194362-14700-Q (B=T/# 42090) | WHEEL 5JAX14WDC | | 1 | | | | | | N |
| 6 | 1 | 794166-14800-Q | TIRE ASSY 5 X14 | | 1 | | | | | | |
| 6-1 | 1 | 198341-14850-Q (B=T/# 42090) | TIRE(R) ASSY, FRONT | | 1 | | | | | | N |
| 7 | 2 | 194166-14800 | TIRE W/TUBE 6 X14 | | 1 | | | | | | |
| 8 | 3 | 194166-14810 | TIRE, 6-14 4 FSLM | | 1 | | | | | | |
| 9 | 3 | 194166-14820 | TUBE, 6-14 | | 1 | | | | | | |
| 10 | 2 | 194311-14700-Q | WHEEL DC5JAX14W | | 1 | | | | | | |
| 10-1 | 2 | 194362-14700-Q (B=T/# 42090) | WHEEL 5JAX14WDC | | 1 | | | | | | N |
| 11 | 1 | 194433-34700-Q | TIRE ASSY 9.5X24 | | 1 | | | | | | |
| 12 | 2 | 194433-34900 | TIRE W/TUBE 9.5X24 | | 1 | | | | | | |
| 13 | 3 | 194433-34910 | TIRE, 9.5-24 4 FSLF | | 1 | | | | | | |
| 14 | 3 | 194433-34920 | TUBE | | 1 | | | | | | |
| 15 | 2 | 794130-34800-Q | WHEEL W 7X 24W | | 1 | | | | | | |
| 16 | 3 | 194130-34821-Q | WHEEL | | 1 | | | | | | |
| 17 | 3 | 194130-34811-Q | DISC | | 1 | | | | | | |
| 18 | 3 | 194130-34850 | BOLT M16X 35 | | 4 | | | | | | |
| 18-1 | 3 | 194555-34850 (B=T/# 41898) | BOLT M16X 35 | | 4 | | | | | | N |
| 19 | 3 | 194130-34840 | NUT M16 | | 4 | | | | | | |
| 19-1 | 3 | 194555-34210 (B=T/# 41898) | NUT, M16 | | 4 | | | | | | N |
| 20 | 3 | 22217-160000 | WASHER, SPRING 16 | | 4 | | | | | | |
| 20-1 | 3 | 194555-34190 (B=T/# 41898) | WASHER, SPRING 16 | | 4 | | | | | | N |
| 21 | 1 | 194433-34800-Q | TIRE ASSY 9.5X24 | | 1 | | | | | | |
| 22 | 2 | 194433-34900 | TIRE W/TUBE 9.5X24 | | 1 | | | | | | |
| 23 | 3 | 194433-34910 | TIRE, 9.5-24 4 FSLF | | 1 | | | | | | |
| 24 | 3 | 194433-34920 | TUBE | | 1 | | | | | | |
| 25 | 2 | 794130-34800-Q | WHEEL W 7X 24W | | 1 | | | | | | |
| 26 | 3 | 194130-34821-Q | WHEEL | | 1 | | | | | | |
| 27 | 3 | 194130-34811-Q | DISC | | 1 | | | | | | |
| 28 | 3 | 194130-34850 | BOLT M16X 35 | | 4 | | | | | | |
| 28-1 | 3 | 194555-34850 (B=T/# 41898) | BOLT M16X 35 | | 4 | | | | | | N |
| 29 | 3 | 194130-34840 | NUT M16 | | 4 | | | | | | |
| 29-1 | 3 | 194555-34210 (B=T/# 41898) | NUT, M16 | | 4 | | | | | | N |
| 30 | 3 | 22217-160000 | WASHER, SPRING 16 | | 4 | | | | | | |
| 30-1 | 3 | 194555-34190 (B=T/# 41898) | WASHER, SPRING 16 | | 4 | | | | | | N |

Fig.84. TURF-TIRES(STANDARD)

Fig. 84 TURF-TIRES [FRONT & REAR]



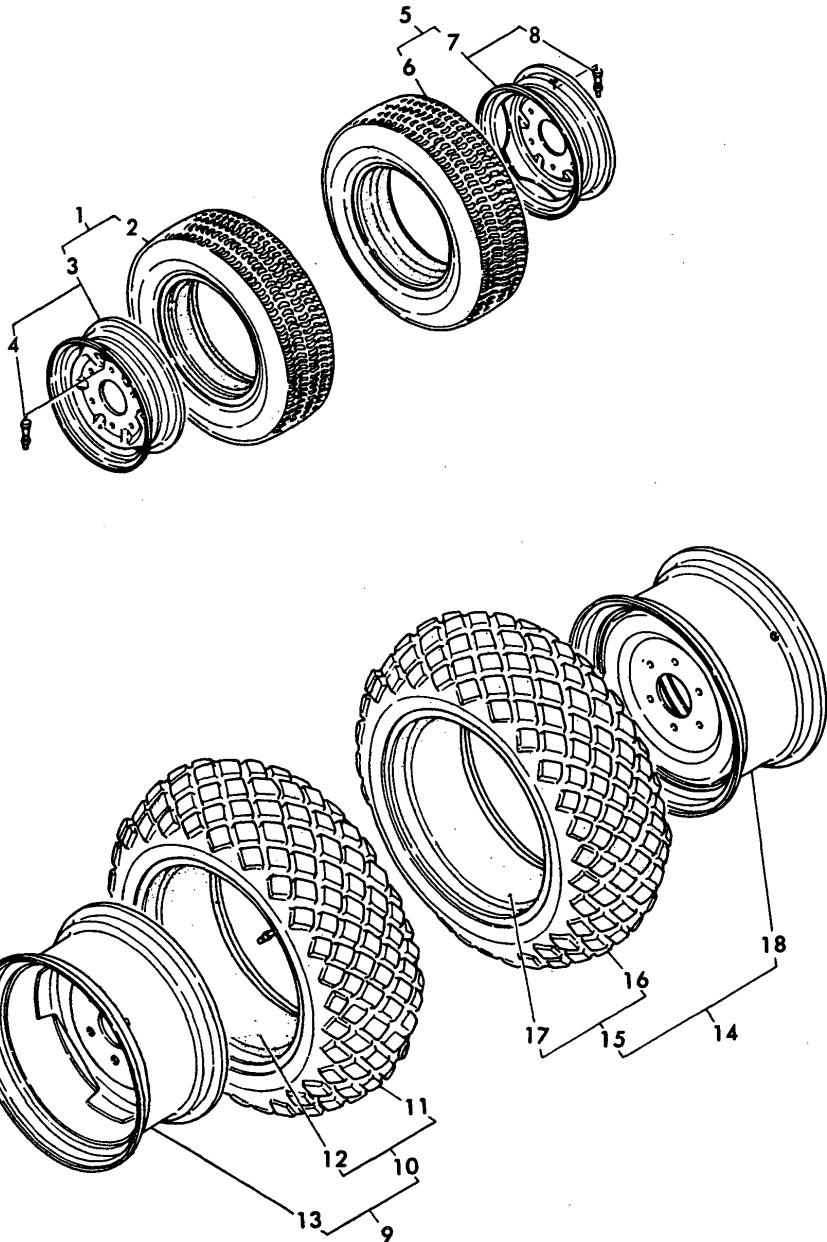
(A)=YM226
(B)=YM226D
(C)=

(D)=
(E)=
(F)=

| No. | Lev. | Parts No. | Description | Qty | | | | | | I | R |
|------|------|-----------------------------|---------------------|-----|-----|-----|-----|-----|-----|---|---|
| | | | | (A) | (B) | (C) | (D) | (E) | (F) | | |
| 1 | 1 | 794361-14700-Q | TIRE ASSY 24 X8.5 | 1 | 1 | | | | | | |
| 1-1 | 1 | 794361-14701-Q | TIRE(L) ASSY, FRONT | 1 | 1 | | | | | | S |
| | | (A=T/# 20278) (B=T/# 40594) | | | | | | | | | |
| 2 | 2 | 194361-12850 | TIRE, 25X8.50-14 | 1 | 1 | | | | | | |
| 3 | 2 | 194361-12810-Q | WHEEL 7JAX14EDC | 1 | 1 | | | | | | |
| 3-1 | 2 | 194361-12811-Q | WHEEL 7JAX14WDC | 1 | 1 | | | | | | S |
| | | (A=T/# 20278) (B=T/# 40594) | | | | | | | | | |
| 4 | 3 | 194136-12880 | VALVE, TR413 | 1 | 1 | | | | | | |
| 5 | 1 | 794361-14800-Q | TIRE ASSY 24 X8.5 | 1 | 1 | | | | | | |
| 5-1 | 1 | 794361-14801-Q | TIRE(R) ASSY, FRONT | 1 | 1 | | | | | | S |
| | | (A=T/# 20278) (B=T/# 40594) | | | | | | | | | |
| 6 | 2 | 194361-12850 | TIRE, 25X8.50-14 | 1 | 1 | | | | | | |
| 7 | 2 | 194361-12810-Q | WHEEL 7JAX14EDC | 1 | 1 | | | | | | |
| 7-1 | 2 | 194361-12811-Q | WHEEL 7JAX14WDC | 1 | 1 | | | | | | S |
| | | (A=T/# 20278) (B=T/# 40594) | | | | | | | | | |
| 8 | 3 | 194136-12880 | VALVE, TR413 | 1 | 1 | | | | | | |
| 9 | 1 | 794136-34500-Q | TIRE ASSY 13.6X16 | 1 | 1 | | | | | | |
| 10 | 2 | 194240-34710 | TIRE W/TUBE13.6X16 | 1 | 1 | | | | | | |
| 11 | 3 | 194240-34720 | TIRE 13.6X 16 | 1 | 1 | | | | | | |
| 12 | 3 | 194240-34730 | TUBE, 13.6-16 | 1 | 1 | | | | | | |
| 13 | 2 | 194136-34750-Q | WHEEL W12X 16W | 1 | 1 | | | | | | |
| 13-1 | 2 | 194136-34760-Q | WHEEL W11X 16W | 1 | 1 | | | | | | N |
| | | (A=T/# 20585) (B=T/# 41169) | | | | | | | | | |
| 14 | 1 | 794136-34600 | TIRE ASSY 13.6X16 | 1 | 1 | | | | | | |
| 15 | 2 | 194240-34710 | TIRE W/TUBE13.6X16 | 1 | 1 | | | | | | |
| 16 | 3 | 194240-34720 | TIRE 13.6X 16 | 1 | 1 | | | | | | |
| 17 | 3 | 194240-34730 | TUBE, 13.6-16 | 1 | 1 | | | | | | |
| 18 | 2 | 194136-34750-Q | WHEEL W12X 16W | 1 | 1 | | | | | | |
| 18-1 | 2 | 194136-34760-Q | WHEEL W11X 16W | 1 | 1 | | | | | | N |
| | | (A=T/# 20585) (B=T/# 41169) | | | | | | | | | |

Fig.85. TURF-TIRES (FRANCE)

Fig. 85 TURF-TIRES [FRONT & REAR]



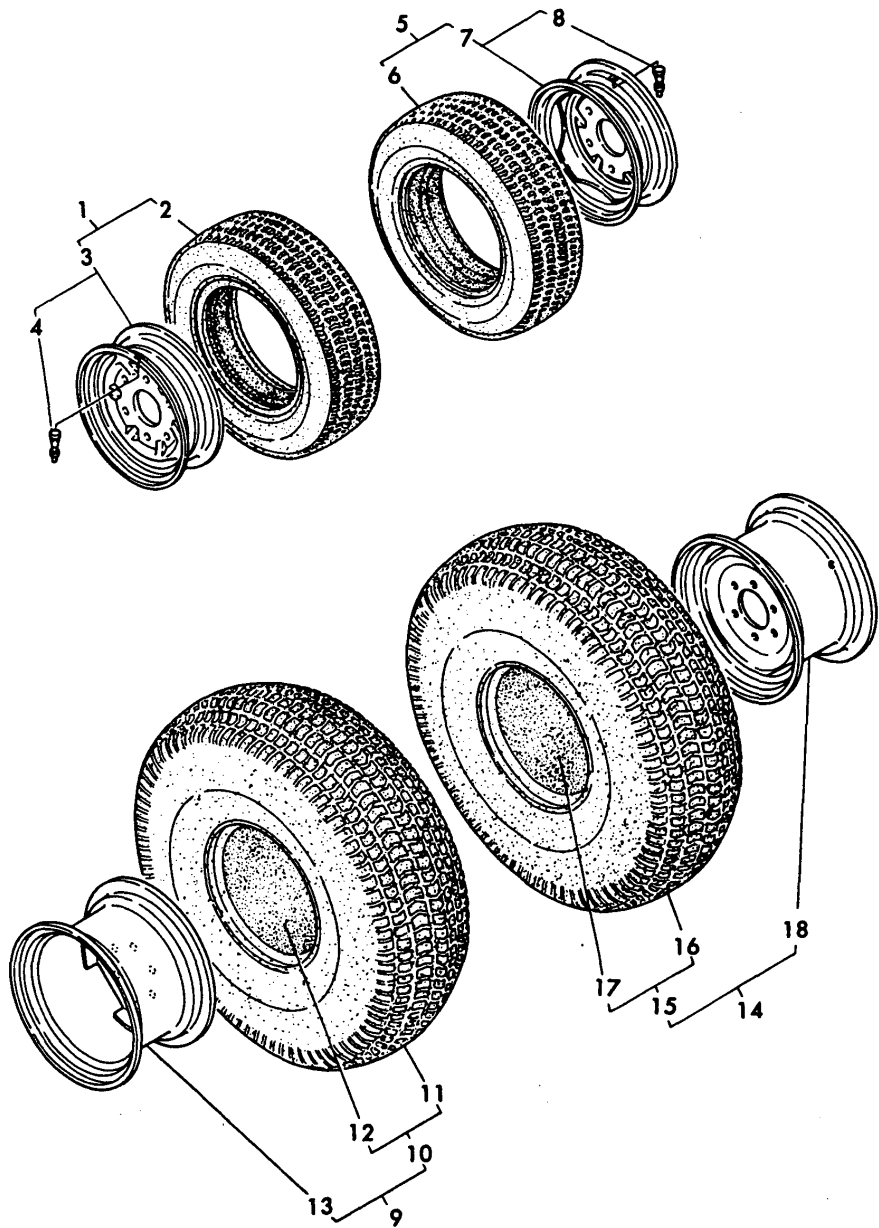
(A)=YM226
(B)=YM226D
(C)=

(D)=
(E)=
(F)=

| No. | Lev. | Parts No. | Description | Q'ty | | | | | | I | R |
|------|------|----------------|----------------------|------|-----|-----|-----|-----|-----|---|---|
| | | | | (A) | (B) | (C) | (D) | (E) | (F) | | |
| 1 | 1 | 794361-14701-P | TURF-TIRE(L)ASSY,(F) | 1 | 1 | | | | | | |
| 2 | 2 | 194361-12850 | TIRE, 25X8.50-14 | 1 | 1 | | | | | | |
| 3 | 2 | 194361-12811-P | WHEEL 7JAX14WDC | 1 | 1 | | | | | | |
| 4 | 3 | 194136-12880 | VALVE, TR413 | 1 | 1 | | | | | | |
| 5 | 1 | 794361-14801-P | TURF-TIRE(R)ASSY,(F) | 1 | 1 | | | | | | |
| 6 | 2 | 194361-12850 | TIRE, 25X8.50-14 | 1 | 1 | | | | | | |
| 7 | 2 | 194361-12811-P | WHEEL 7JAX14WDC | 1 | 1 | | | | | | |
| 8 | 3 | 194136-12880 | VALVE, TR413 | 1 | 1 | | | | | | |
| 9 | 1 | 794136-34500-P | TIRE ASSY (L) 13.6-1 | 1 | 1 | | | | | | |
| 10 | 2 | 194240-34710 | TIRE W/TUBE13.6X16 | 1 | 1 | | | | | | |
| 11 | 3 | 194240-34720 | TIRE 13.6X 16 | 1 | 1 | | | | | | |
| 12 | 3 | 194240-34730 | TUBE, 13.6-16 | 1 | 1 | | | | | | |
| 13 | 2 | 194136-34750-P | WHEEL W12X16W | 1 | 1 | | | | | | |
| 13-1 | 2 | 194136-34760-P | WHEEL W11X16W | 1 | 1 | | | | | | N |
| | | (A=T/# 20585) | (B=T/# 41169) | | | | | | | | |
| 14 | 1 | 794136-34600-P | TIRE ASSY (R) 13.6-1 | 1 | 1 | | | | | | |
| 15 | 2 | 194240-34710 | TIRE W/TUBE13.6X16 | 1 | 1 | | | | | | |
| 16 | 3 | 194240-34720 | TIRE 13.6X 16 | 1 | 1 | | | | | | |
| 17 | 3 | 194240-34730 | TUBE, 13.6-16 | 1 | 1 | | | | | | |
| 18 | 2 | 194136-34750-P | WHEEL W12X16W | 1 | 1 | | | | | | |
| 18-1 | 2 | 194136-34760-P | WHEEL W11X16W | 1 | 1 | | | | | | N |
| | | (A=T/# 20585) | (B=T/# 41169) | | | | | | | | |

Fig.86. TURF-TIRES(STANDARD)

Fig. 86 TURF-TIRES [FRONT & REAR]



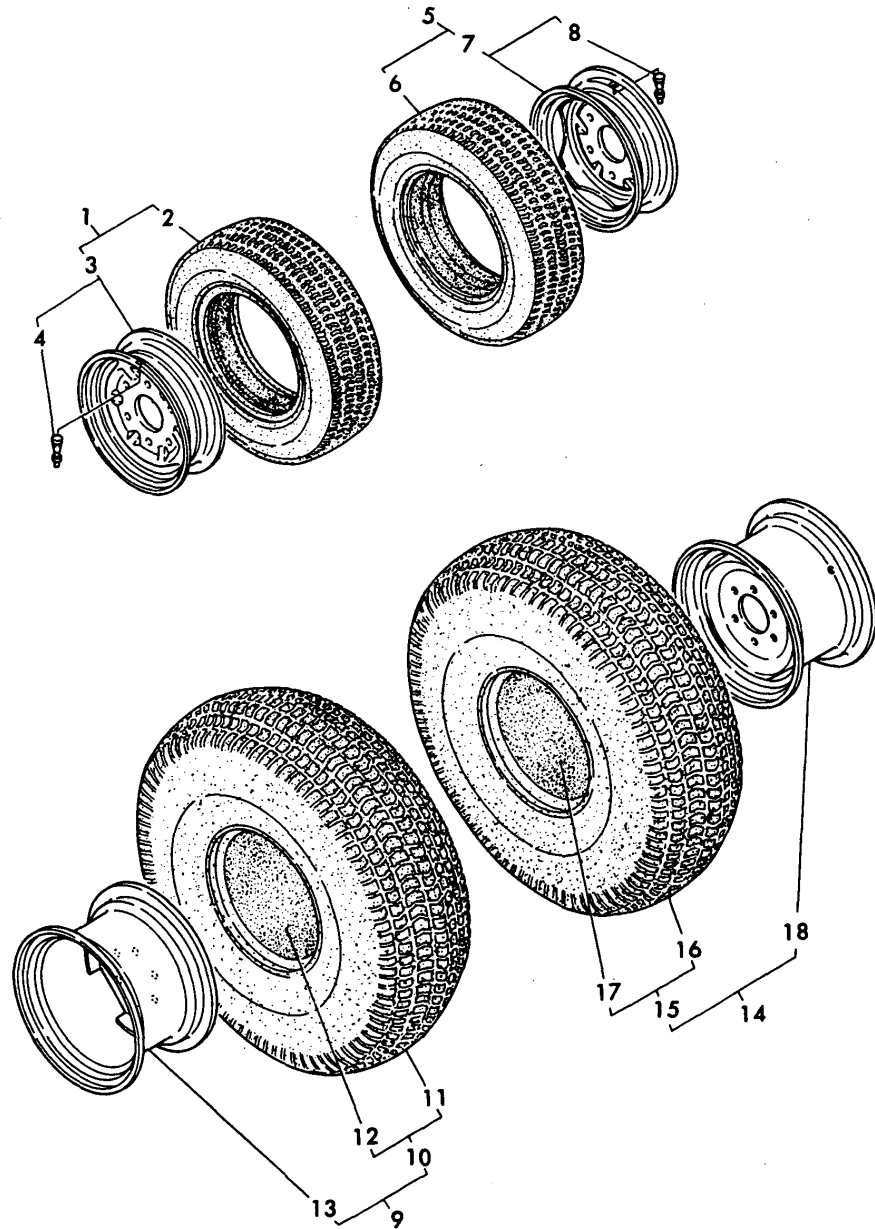
(A)=YM226
(B)=YM226D
(C)=

(D)=
(E)=
(F)=

| No. | Lev. | Parts No. | Description | Q'ty | | | | | | I | R |
|-----|------|----------------|---------------------|------|-----|-----|-----|-----|-----|---|---|
| | | | | (A) | (B) | (C) | (D) | (E) | (F) | | |
| 1 | 1 | 794361-14701-Q | TIRE(L) ASSY, FRONT | 1 | 1 | | | | | | |
| 2 | 2 | 194361-12850 | TIRE, 25X8.50-14 | 1 | 1 | | | | | | |
| 3 | 2 | 194361-12811-Q | WHEEL 7JAX14WDC | 1 | 1 | | | | | | |
| 4 | 3 | 194136-12880 | VALVE, TR413 | 1 | 1 | | | | | | |
| 5 | 1 | 794361-14801-Q | TIRE(R) ASSY, FRONT | 1 | 1 | | | | | | |
| 6 | 2 | 194361-12850 | TIRE, 25X8.50-14 | 1 | 1 | | | | | | |
| 7 | 2 | 194361-12811-Q | WHEEL 7JAX14WDC | 1 | 1 | | | | | | |
| 8 | 3 | 194136-12880 | VALVE, TR413 | 1 | 1 | | | | | | |
| 9 | 1 | 794136-34501-Q | TIRE ASSY 13.6X16 | 1 | 1 | | | | | | |
| 10 | 2 | 194136-34710 | TIRE, REAR 13.6-16 | 1 | 1 | | | | | | |
| 11 | 3 | 194136-34720 | TIRE, REAR 13.6-16 | 1 | 1 | | | | | | |
| 12 | 3 | 194240-34730 | TUBE, 13.6-16 | 1 | 1 | | | | | | |
| 13 | 2 | 194136-34760-Q | WHEEL W11X 16W | 1 | 1 | | | | | | |
| 14 | 1 | 794136-34601-Q | TIRE (R) ASSY, TURF | 1 | 1 | | | | | | |
| 15 | 2 | 194136-34710 | TIRE, REAR 13.6-16 | 1 | 1 | | | | | | |
| 16 | 3 | 194136-34720 | TIRE, REAR 13.6-16 | 1 | 1 | | | | | | |
| 17 | 3 | 194240-34730 | TUBE, 13.6-16 | 1 | 1 | | | | | | |
| 18 | 2 | 194136-34760-Q | WHEEL W11X 16W | 1 | 1 | | | | | | |

Fig.87. TURF-TIRES (FRANCE)

Fig. 87 TURF-TIRES [FRONT & REAR]



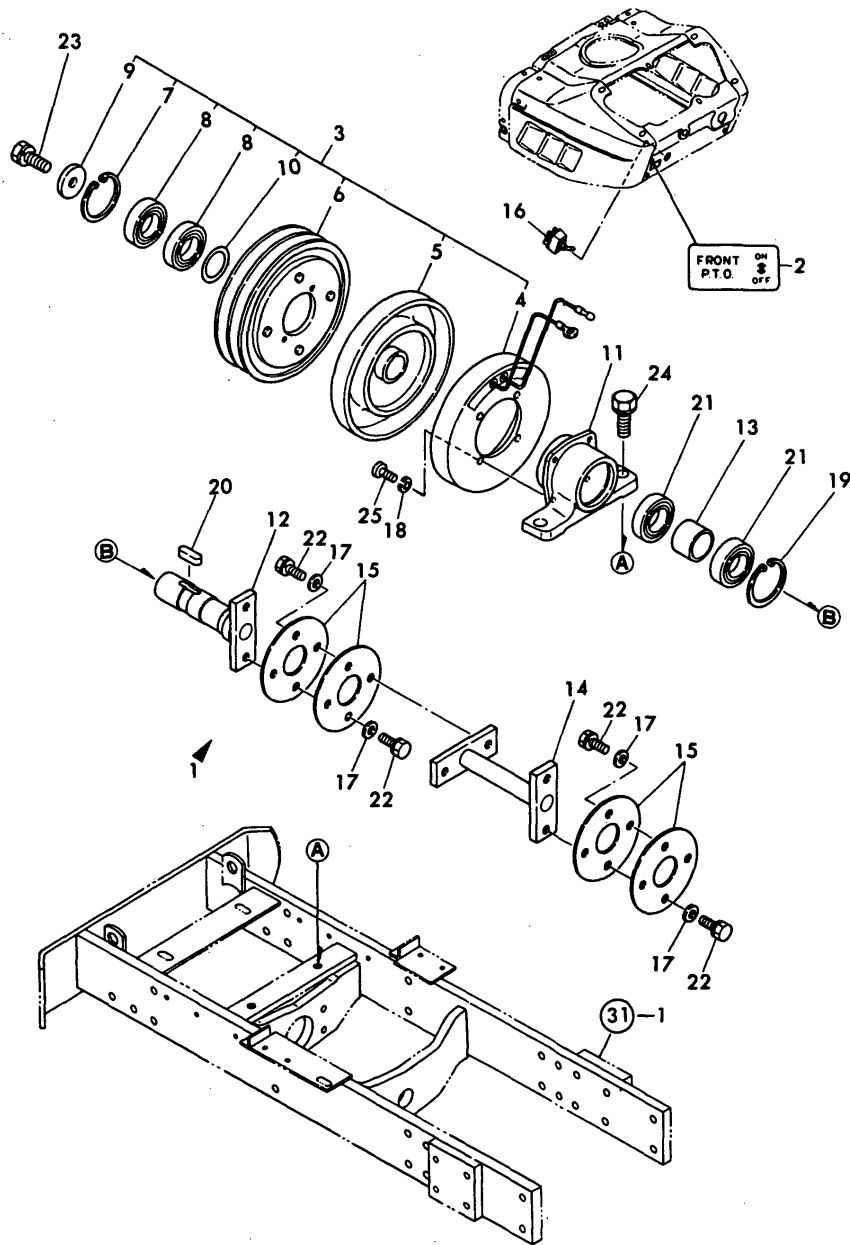
(A)=YM226
(B)=YM226D
(C)=

(D)=
(E)=
(F)=

| No. | Lev. | Parts No. | Description | Q'ty | | | | | | I | R |
|-----|------|----------------|----------------------|------|-----|-----|-----|-----|-----|---|---|
| | | | | (A) | (B) | (C) | (D) | (E) | (F) | | |
| 1 | 1 | 794361-14701-P | TURF-TIRE(L)ASSY,(F) | 1 | 1 | | | | | | |
| 2 | 2 | 194361-12850 | TIRE, 25X8.50-14 | 1 | 1 | | | | | | |
| 3 | 2 | 194361-12811-P | WHEEL 7JAX14WDC | 1 | 1 | | | | | | |
| 4 | 3 | 194136-12880 | VALVE, TR413 | 1 | 1 | | | | | | |
| 5 | 1 | 794361-14801-P | TURF-TIRE(R)ASSY,(F) | 1 | 1 | | | | | | |
| 6 | 2 | 194361-12850 | TIRE, 25X8.50-14 | 1 | 1 | | | | | | |
| 7 | 2 | 194361-12811-P | WHEEL 7JAX14WDC | 1 | 1 | | | | | | |
| 8 | 3 | 194136-12880 | VALVE, TR413 | 1 | 1 | | | | | | |
| 9 | 1 | 794136-34501-P | TURF-TIRE(L)ASSY,(R) | 1 | 1 | | | | | | |
| 10 | 2 | 194136-34710 | TIRE, REAR 13.6-16 | 1 | 1 | | | | | | |
| 11 | 3 | 194136-34720 | TIRE, REAR 13.6-16 | 1 | 1 | | | | | | |
| 12 | 3 | 194240-34730 | TUBE, 13.6-16 | 1 | 1 | | | | | | |
| 13 | 2 | 194136-34760-P | WHEEL W11X16W | 1 | 1 | | | | | | |
| 14 | 1 | 794136-34601-P | TIRE (R) ASSY, TURF | 1 | 1 | | | | | | |
| 15 | 2 | 194136-34710 | TIRE, REAR 13.6-16 | 1 | 1 | | | | | | |
| 16 | 3 | 194136-34720 | TIRE, REAR 13.6-16 | 1 | 1 | | | | | | |
| 17 | 3 | 194240-34730 | TUBE, 13.6-16 | 1 | 1 | | | | | | |
| 18 | 2 | 194136-34760-P | WHEEL W11X16W | 1 | 1 | | | | | | |

Fig.88. FRONT POWER TAKE OFF

Fig. 88 FRONT POWER TAKE-OFF



(A)=YM226
(B)=YM226D
(C)=

(D)=
(E)=
(F)=

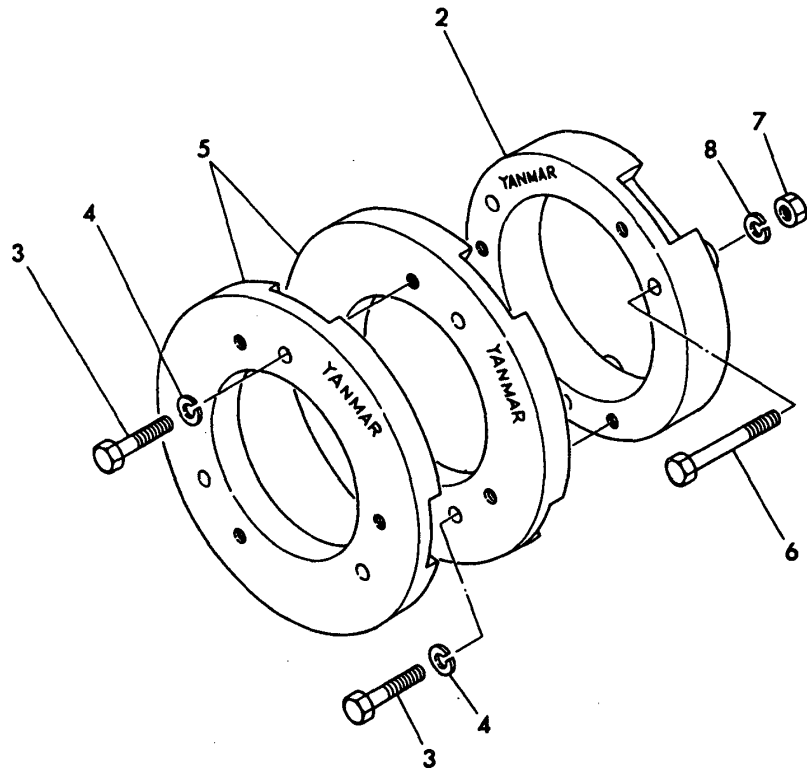
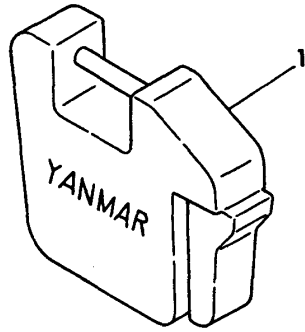
| No. | Lev. | Parts No. | Description | Qty | | | | | | I | R |
|-----|------|----------------|----------------------|-----|-----|-----|-----|-----|-----|---|---|
| | | | | (A) | (B) | (C) | (D) | (E) | (F) | | |
| 1 | 1 | 794446-83100-X | P.T.O. KIT, FRONT | 1 | 1 | | | | | | |
| 2 | 2 | 194446-65730 | LABEL, FRONT P.T.O | 1 | 1 | | | | | | |
| 2-1 | 2 | 194446-65731 | LABEL, FRONT P.T.O | 1 | 1 | | | | | | N |
| | | (A)=EXXX | (B)=EXXX | | | | | | | | |
| 3 | 2 | 194446-83110-X | CLUTCH ASSY, MAGNET. | 1 | 1 | | | | | | |
| 4 | 3 | 194446-83120 | COIL, FIELD | 1 | 1 | | | | | | |
| 5 | 3 | 194446-83130 | ROTOR | 1 | 1 | | | | | | |
| 6 | 3 | 194446-83140 | ARMATURE | 1 | 1 | | | | | | |
| 7 | 3 | 194446-83150 | CIRCLIP | 1 | 1 | | | | | | |
| 8 | 3 | 194446-83160 | BALL BEARING | 2 | 2 | | | | | | |
| 9 | 3 | 194446-83170 | WASHER | 1 | 1 | | | | | | |
| 10 | 3 | 194446-83180 | SHIM | 3 | 3 | | | | | | |
| 11 | 2 | 194446-83210-X | CASE, BEARING | 1 | 1 | | | | | | |
| 12 | 2 | 194446-83220-X | SHAFT, P.T.O | 1 | 1 | | | | | | |
| 13 | 2 | 194446-83240 | SPACER | 1 | 1 | | | | | | |
| 14 | 2 | 194446-83250-X | SHAFT | 1 | 1 | | | | | | |
| 15 | 2 | 194446-83260 | DISC, FRONT P.T.O. | 4 | 4 | | | | | | |
| 16 | 2 | 194446-83310 | SWITCH, FRONT P.T.O. | 1 | 1 | | | | | | |
| 17 | 2 | 22117-100000 | WASHER, 10 | 8 | 8 | | | | | | |
| 18 | 2 | 22217-060000 | WASHER, SPRING 6 | 4 | 4 | | | | | | |
| 19 | 2 | 22262-000550 | RING, R-55 | 1 | 1 | | | | | | |
| 20 | 2 | 22512-070280 | KEY, 7X 28 | 1 | 1 | | | | | | |
| 21 | 2 | 24104-060064 | BEARING, BALL 6006UU | 2 | 2 | | | | | | |
| 22 | 2 | 26013-100202 | BOLT, M10X 20 | 8 | 8 | | | | | | |
| 23 | 2 | 26013-120302 | BOLT, M12X 30 | 1 | 1 | | | | | | |
| 24 | 2 | 26013-140302 | BOLT, M14X 30 | 2 | 2 | | | | | | |
| 25 | 2 | 26557-060162 | SCREW M 6X 16 | 4 | 4 | | | | | | |

Fig.89. FRONT & REAR WHEEL WEIGHT

Fig. 89 FRONT WEIGHT & REAR WHEEL WEIGHT

(A)=YM226
(B)=YM226D
(C)=

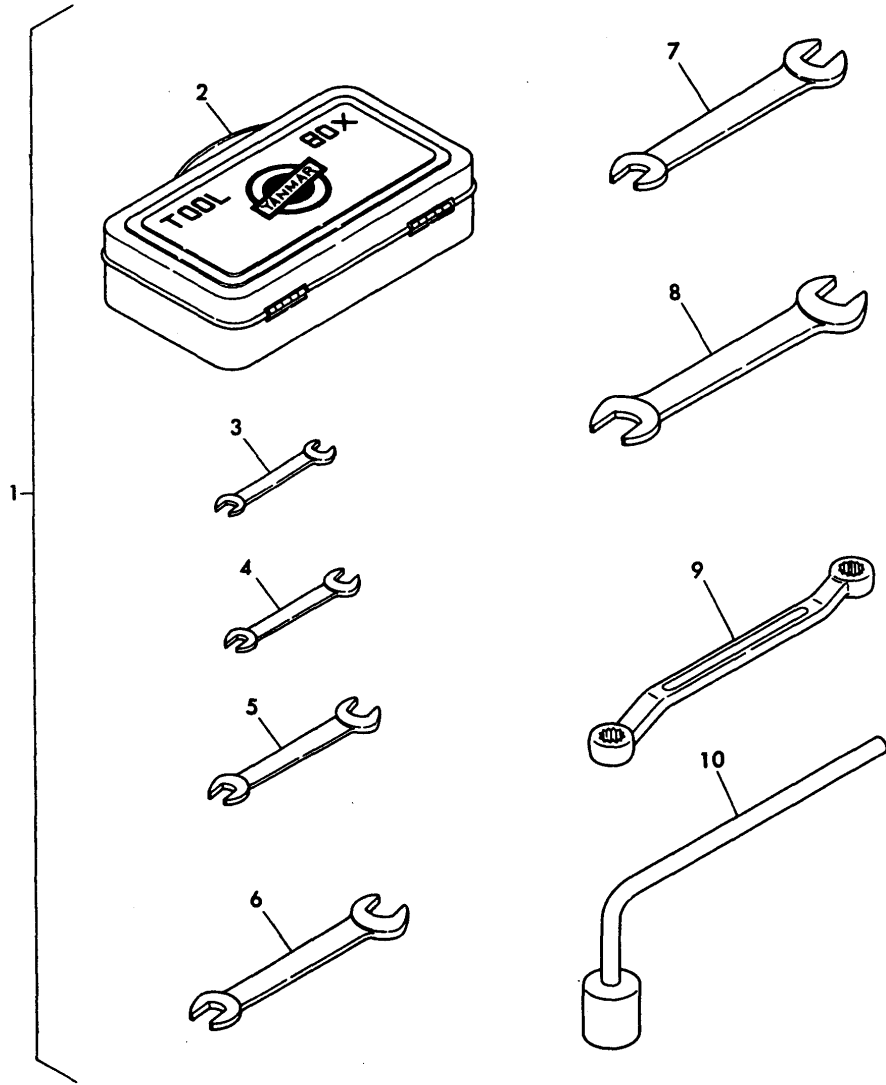
(D)=
(E)=
(F)=



| No. | Lev. | Parts No. | Description | Q'ty | | | | | | I | R |
|-----|------|----------------|----------------------|------|-----|-----|-----|-----|-----|---|---|
| | | | | (A) | (B) | (C) | (D) | (E) | (F) | | |
| 1 | 1 | 194080-81111-R | WEIGHT 20KGS. FRONT | 5 | 5 | | | | | | |
| 2 | 1 | 194080-81230-R | WEIGHT 20KGS. REAR | 2 | 2 | | | | | | |
| 3 | 1 | 26116-160602 | BOLT, M16X 60 PLATED | 12 | 12 | | | | | | |
| 4 | 1 | 22217-160000 | WASHER, SPRING 16 | 12 | 12 | | | | | | |
| 5 | 1 | 194080-81212-R | WEIGHT 25KGS. REAR | 4 | 4 | | | | | | |
| 6 | 1 | 26116-161102 | BOLT, M16X110 PLATED | 6 | 6 | | | | | | |
| 7 | 1 | 26716-160002 | NUT, M16 | 6 | 6 | | | | | | |
| 8 | 1 | 22217-160000 | WASHER, SPRING 16 | 6 | 6 | | | | | | |

Fig.90. TOOLS

Fig. 90 TOOLS



(A)=YM226
(B)=YM226D
(C)=

(D)=
(E)=
(F)=

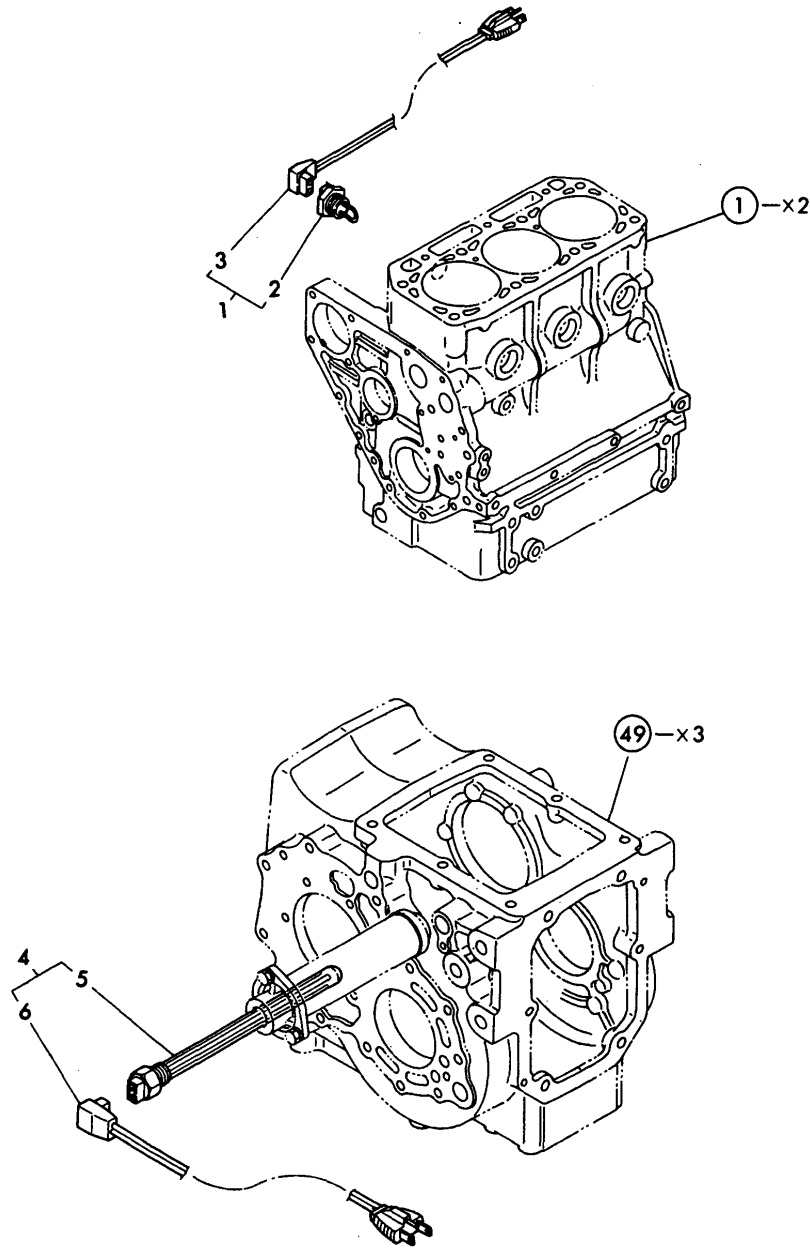
| No. | Lev. | Parts No. | Description | Q'ty | | | | | | I | R |
|-----|------|---------------------------|----------------|------|-----|-----|-----|-----|-----|---|---|
| | | | | (A) | (B) | (C) | (D) | (E) | (F) | | |
| 1 | 1 | 794322-82110 | TOOL ASSY | 1 | 1 | | | | | | |
| 1-1 | 1 | 794322-82111 | TOOL ASSY | 1 | 1 | | | | | | N |
| | | (A=*1982.11) (B=*1982.11) | | | | | | | | | |
| 2 | 2 | 194322-82110-R | BOX, TOOL | 1 | 1 | | | | | | |
| 3 | 2 | 28110-080100 | SPANNER, 8X10 | 1 | 1 | | | | | | |
| 4 | 2 | 28110-100130 | SPANNER, 10X13 | 1 | 1 | | | | | | |
| 4-1 | 2 | 28110-120140 | SPANNER, 12X14 | 1 | 1 | | | | | | N |
| | | (A=*1982.11) (B=*1982.11) | | | | | | | | | |
| 5 | 2 | 28110-170190 | SPANNER, 17X19 | 1 | 1 | | | | | | |
| 6 | 2 | 28110-220240 | SPANNER, 22X24 | 1 | 1 | | | | | | |
| 7 | 2 | 28110-270300 | SPANNER, 27X30 | 1 | 1 | | | | | | |
| 8 | 2 | 28110-260320 | SPANNER, 26X32 | 1 | 1 | | | | | | |
| 9 | 2 | 194080-82110 | WRENCH 17X19 | 1 | 1 | | | | | | |
| 10 | 2 | 194145-82240 | BOX WRENCH 26 | 1 | 1 | | | | | | |

Fig.91. HEATER(USA ONLY)

(A)=YM226
(B)=YM226D
(C)=

(D)=
(E)=
(F)=

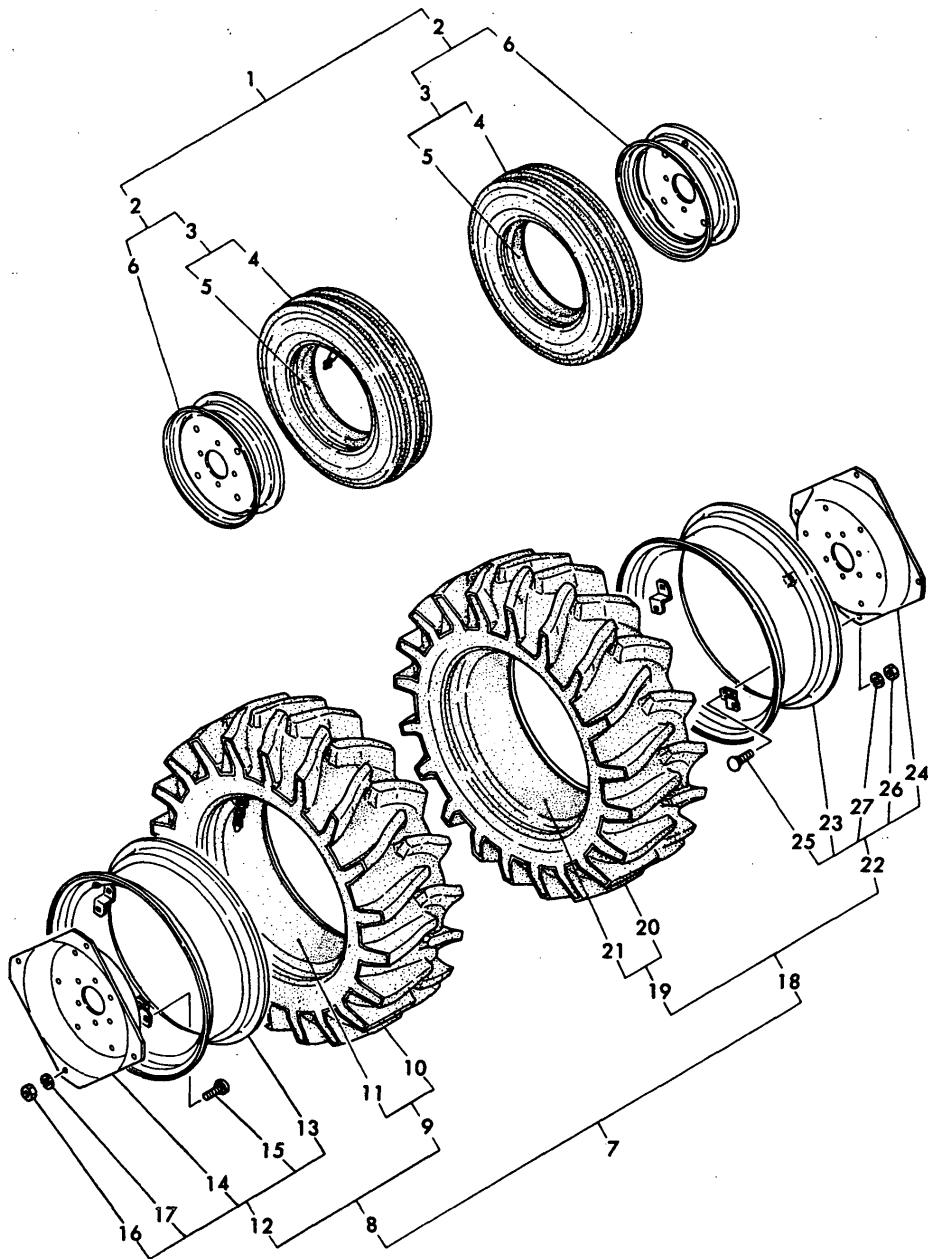
Fig. 91 HEATER



| No. | Lev. | Parts No. | Description | (A) | (B) | (C) | (D) | (E) | (F) | Q'ty | I | R |
|------------|------|-----------|-------------|-----|-----|-----|-----|-------------|-----|---------------|---|---|
| Spec. Code | Part | (A) | (B) | (C) | (D) | (E) | (F) | Description | | Specification | | |
| | | | | | | | | | | | | |
| | | | | | | | | | | | | |
| | | | | | | | | | | | | |
| | | | | | | | | | | | | |
| | | | | | | | | | | | | |
| | | | | | | | | | | | | |
| | | | | | | | | | | | | |
| | | | | | | | | | | | | |
| | | | | | | | | | | | | |
| | | | | | | | | | | | | |
| | | | | | | | | | | | | |
| | | | | | | | | | | | | |
| | | | | | | | | | | | | |
| | | | | | | | | | | | | |
| | | | | | | | | | | | | |
| | | | | | | | | | | | | |
| | | | | | | | | | | | | |
| | | | | | | | | | | | | |
| | | | | | | | | | | | | |
| | | | | | | | | | | | | |
| | | | | | | | | | | | | |
| | | | | | | | | | | | | |
| | | | | | | | | | | | | |

Fig.92. AG TIRES(FOR YM226,USA)

Fig. 92 AG TIRES (FRONT & REAR) [For Model YM226]



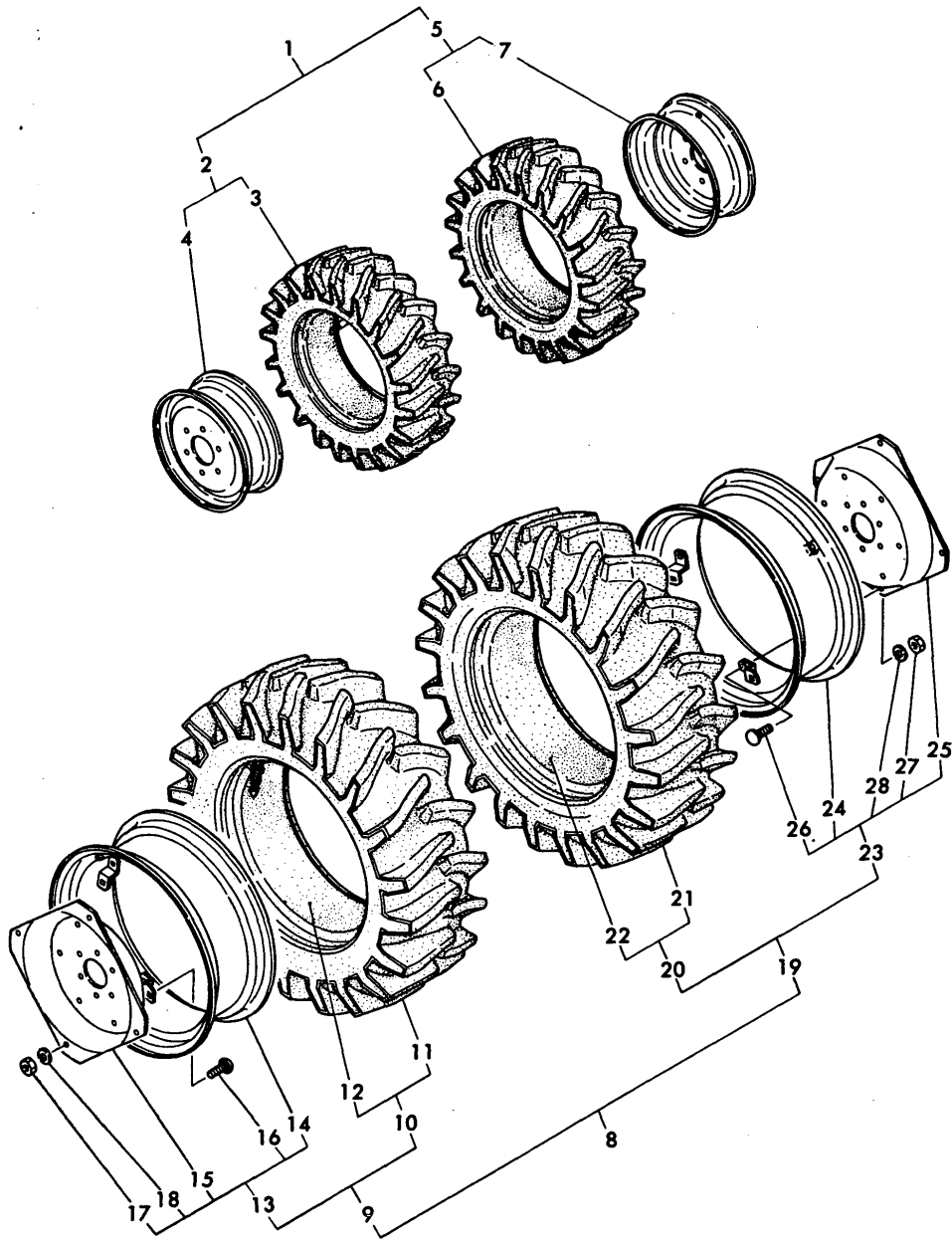
(A)=YM226
(B)=YM226D
(C)=

(D)=
(E)=
(F)=

| No. | Lev. | Parts No. | Description | Q'ty | | | | | | I | R |
|-----|------|----------------|-------------------|------|-----|-----|-----|-----|-----|---|---|
| | | | | (A) | (B) | (C) | (D) | (E) | (F) | | |
| 14 | 4 | 194130-34811-Q | DISC | 1 | | | | | | | 1 |
| 15 | 4 | 194130-34850 | BOLT M16X 35 | 4 | | | | | | | 1 |
| 16 | 4 | 194130-34840 | NUT M16 | 4 | | | | | | | 1 |
| 17 | 4 | 22217-160000 | WASHER, SPRING 16 | 4 | | | | | | | 1 |
| 24 | 4 | 194130-34811-Q | DISC | 1 | | | | | | | 1 |
| 25 | 4 | 194130-34850 | BOLT M16X 35 | 4 | | | | | | | 1 |
| 26 | 4 | 194130-34840 | NUT M16 | 4 | | | | | | | 1 |
| 27 | 4 | 22217-160000 | WASHER, SPRING 16 | 4 | | | | | | | 1 |

Fig.93. AG TIRES(FOR YM226D,USA)

Fig. 93 AG TIRES (FRONT & REAR) [For Model YM226D]



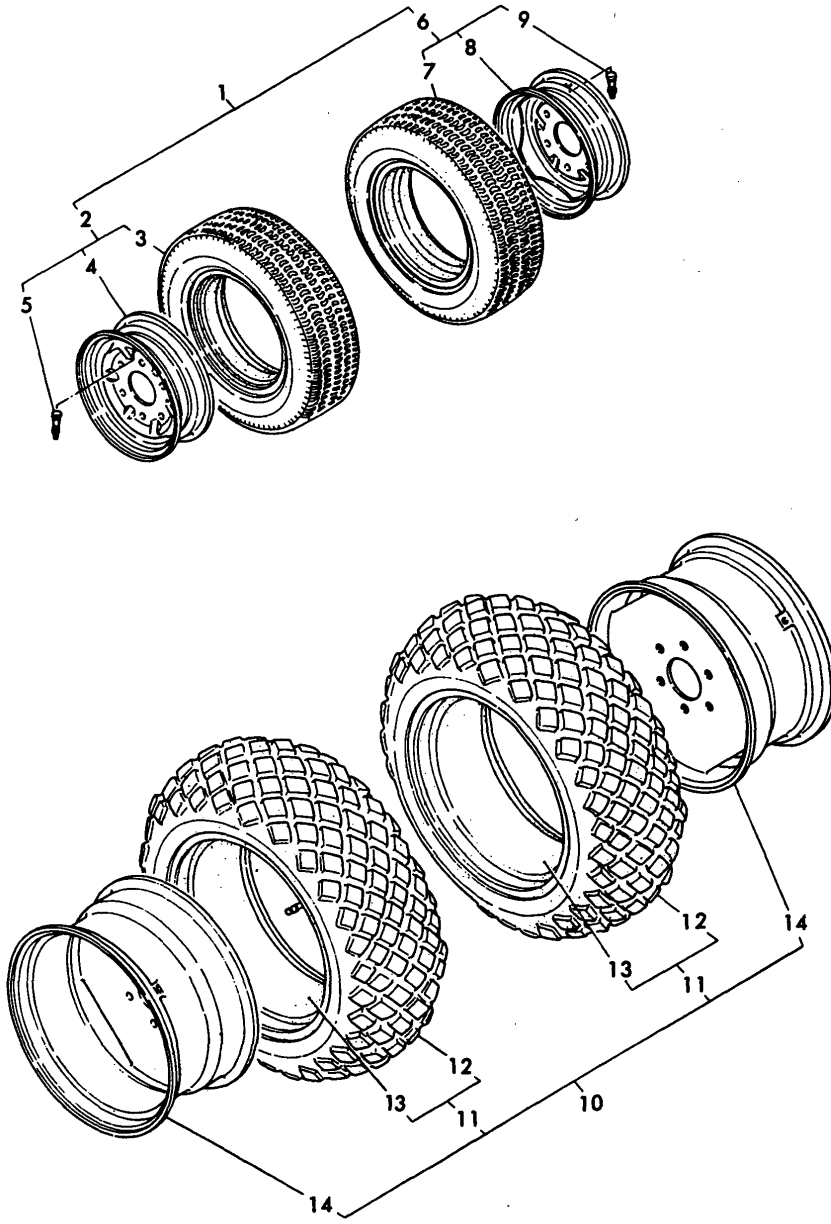
(A)=YM226
(B)=YM226D
(C)=

(D)=
(E)=
(F)=

| No. | Lev. | Parts No. | Description | Q'ty | | | | | | I | R |
|-----|------|----------------|-------------------|------|-----|-----|-----|-----|-----|---|---|
| | | | | (A) | (B) | (C) | (D) | (E) | (F) | | |
| 15 | 4 | 194130-34811-Q | DISC | | 1 | | | | | | 1 |
| 16 | 4 | 194130-34850 | BOLT M16X 35 | | 4 | | | | | | 1 |
| 17 | 4 | 194130-34840 | NUT M16 | | 4 | | | | | | 1 |
| 18 | 4 | 22217-160000 | WASHER, SPRING 16 | | 4 | | | | | | 1 |
| 25 | 4 | 194130-34811-Q | DISC | | 1 | | | | | | 1 |
| 26 | 4 | 194130-34850 | BOLT M16X 35 | | 4 | | | | | | 1 |
| 27 | 4 | 194130-34840 | NUT M16 | | 4 | | | | | | 1 |
| 28 | 4 | 22217-160000 | WASHER, SPRING 16 | | 4 | | | | | | 1 |

Fig.94. TURF-TIRES(USA)

Fig. 94 TURF TIRES (FRONT & REAR)



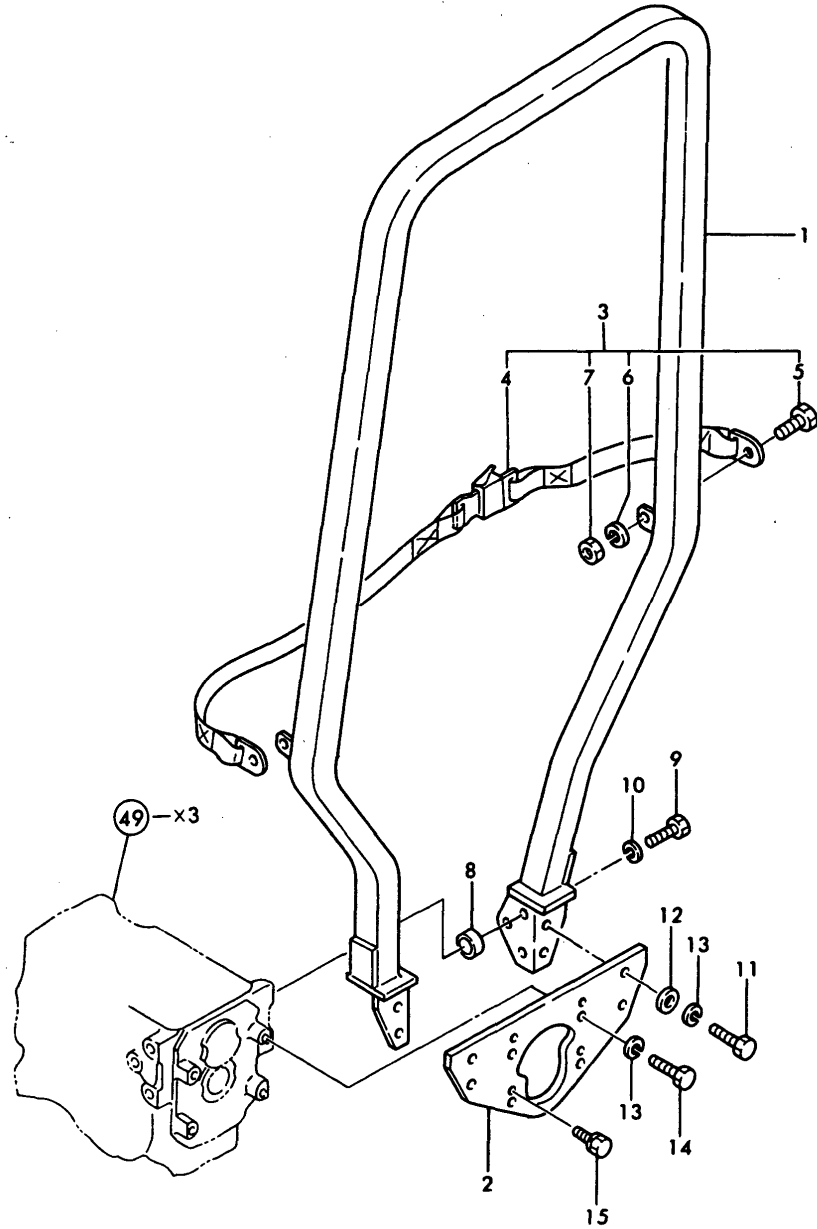
(A)=YM226
(B)=YM226D
(C)=

(D)=
(E)=
(F)=

| No. | Lev. | Parts No. | Description | Qty | | | | | | I | R |
|-----|------|-----------------------------|---------------------|-----|-----|-----|-----|-----|-----|---|---|
| | | | | (A) | (B) | (C) | (D) | (E) | (F) | | |
| 1 | 1 | 794361-00100-Q | TIRE SET, FRONT | 1 | 1 | | | | | | |
| 1-1 | 1 | 794361-00101-Q | TIRE SET, FRONT | 1 | 1 | | | | | | S |
| | | (A=T/# 20278) (B=T/# 40594) | | | | | | | | | |
| 2 | 2 | 794361-14700-Q | TIRE ASSY 24 X8.5 | 1 | 1 | | | | | | |
| 2-1 | 2 | 794361-14701-Q | TIRE(L) ASSY, FRONT | 1 | 1 | | | | | | S |
| | | (A=T/# 20278) (B=T/# 40594) | | | | | | | | | |
| 3 | 3 | 194361-12850 | TIRE, 25X8.50-14 | 1 | 1 | | | | | | |
| 4 | 3 | 194361-12810-Q | WHEEL 7JAX14EDC | 1 | 1 | | | | | | |
| 4-1 | 3 | 194361-12811-Q | WHEEL 7JAX14WDC | 1 | 1 | | | | | | S |
| | | (A=T/# 20278) (B=T/# 40594) | | | | | | | | | |
| 5 | 3 | 194136-12880 | VALVE, TR413 | 1 | 1 | | | | | | |
| 6 | 2 | 794361-14800-Q | TIRE ASSY 24 X8.5 | 1 | 1 | | | | | | |
| 6-1 | 2 | 794361-14801-Q | TIRE(R) ASSY, FRONT | 1 | 1 | | | | | | S |
| | | (A=T/# 20278) (B=T/# 40594) | | | | | | | | | |
| 7 | 3 | 194361-12850 | TIRE, 25X8.50-14 | 1 | 1 | | | | | | |
| 8 | 3 | 194361-12810-Q | WHEEL 7JAX14EDC | 1 | 1 | | | | | | |
| 8-1 | 3 | 194361-12811-Q | WHEEL 7JAX14WDC | 1 | 1 | | | | | | S |
| | | (A=T/# 20278) (B=T/# 40594) | | | | | | | | | |
| 9 | 3 | 194136-12880 | VALVE, TR413 | 1 | 1 | | | | | | |

Fig.95. ROLL BAR(USA ONLY)

Fig. 95 ROLL BAR (U.S.A. Only)



(A)=YM226
(B)=YM226D
(C)=

(D)=
(E)=
(F)=

| No. | Lev. | Parts No. | Description | Q'ty | | | | | | I | R | |
|-----|------|--------------|----------------------|------|-----|-----|-----|-----|-----|---|---|--|
| | | | | (A) | (B) | (C) | (D) | (E) | (F) | | | |
| 1 | 1 | (4-11053) | ROLL BAR ASSY | 1 | 1 | | | | | | 1 | |
| 2 | 1 | (1-22347) | MOUNT PLATE | 1 | 1 | | | | | | 1 | |
| 3 | 1 | (4-11790) | SEAT BELT KIT | 1 | 1 | | | | | | 1 | |
| 4 | 1 | (3-10287) | SEAT BELT | 1 | 1 | | | | | | 1 | |
| 5 | 1 | (3-10045) | SCREW HEX. CAP | 2 | 2 | | | | | | 1 | |
| 6 | 1 | (3-10152) | WASHER, LOCK | 2 | 2 | | | | | | 1 | |
| 7 | 1 | (3-10066) | NUT | 2 | 2 | | | | | | 1 | |
| 8 | 1 | (1-10399) | SPACER | 6 | 6 | | | | | | 1 | |
| 9 | 1 | (3-11843) | SCREW M16X 45(P=2.0 | 6 | 6 | | | | | | 1 | |
| 10 | 1 | (3-10080) | WASHER, LOCK | 6 | 6 | | | | | | 1 | |
| 11 | 1 | (3-10046) | SCREW HEX. CAP | 4 | 4 | | | | | | 1 | |
| 12 | 1 | (3-10087) | WASHER, FLAT | 4 | 4 | | | | | | 1 | |
| 13 | 1 | (3-10079) | WASHER, LOCK | 8 | 8 | | | | | | 1 | |
| 14 | 1 | (3-12316) | SCREW M12X 45(P=1.75 | 4 | 4 | | | | | | 1 | |
| 15 | 1 | 26013-120222 | BOLT, M12X 22 | 4 | 4 | | | | | | 1 | |

Parts No. Index

| Parts No. | Fig. No. | Ref. No. |
|---------------|----------|----------|
| (1-10399) | 95 | 8 |
| (1-22347) | 95 | 2 |
| (3-10045) | 95 | 5 |
| (3-10046) | 95 | 11 |
| (3-10066) | 95 | 7 |
| (3-10079) | 95 | 13 |
| (3-10080) | 95 | 10 |
| (3-10087) | 95 | 12 |
| (3-10152) | 95 | 6 |
| (3-10287) | 95 | 4 |
| (3-11843) | 95 | 9 |
| (3-12316) | 95 | 14 |
| (4-11053) | 95 | 1 |
| (4-11790) | 95 | 3 |
| *REF.35=21- 2 | 35 | 44 |
| *REF.35=22 | 35 | 45 |
| *REF.35=23- 1 | 35 | 46 |
| *REF.35=27 | 35 | 54 |
| *REF.35=28 | 35 | 42 |
| *REF.35=32- 1 | 35 | 57 |
| *REF.35=37 | 35 | 61 |
| *REF.35=38 | 35 | 62 |
| *REF.35=39 | 35 | 43 |
| *REF.36=18- 1 | 35 | 47 |
| *REF.36=19- 1 | 35 | 48 |
| *REF.36=21- 1 | 35 | 49 |
| *REF.36=22- 1 | 35 | 50 |
| *REF.36=23- 1 | 35 | 51 |
| *REF.36=24- 1 | 35 | 52 |
| *REF.36=25 | 35 | 55 |
| *REF.36=26- 1 | 35 | 58 |
| *REF.36=27 | 35 | 59 |
| *REF.36=28- 1 | 35 | 53 |
| *REF.36=29- 1 | 35 | 56 |
| | 60 | |
| *REF.36=30- 1 | 35 | 41 |
| 101147-11900 | 5 | 50 |
| 101147-12550 | 7 | 15 |
| 101147-59810 | 20 | 29 |
| 101158-11190 | 5 | 9 |
| 101158-11230 | 5 | 39 |
| | 44 | |
| 101304-59020 | 20 | 12 -1 |
| 101720-55750 | 19 | 5 |
| 102103-55520 | 19 | 13 |
| | 27 | 40 |
| 102210-07990 | 4 | 7 |
| | 72 | 34 |
| | 73 | 35 |
| | 74 | 34 |

| Parts No. | Fig. No. | Ref. No. |
|--------------|----------|----------|
| 102210-07990 | 75 | 34 |
| | 76 | 34 |
| 103854-11490 | 5 | 49 |
| | 27 | 16 |
| 103854-51251 | 17 | 21 |
| | | 21 -1 |
| 103854-51660 | 17 | 38 |
| 103854-53120 | 18 | 6 |
| 103854-53180 | 18 | 8 |
| 103854-59201 | 20 | 15 -1 |
| 104104-67300 | 6 | 10 |
| 104200-11180 | 5 | 8 |
| 104200-14200 | 9 | 4 |
| 104200-22300 | 11 | 7 |
| 104200-53080 | 18 | 4 |
| 104200-55080 | 1 | 22 |
| 104200-55321 | 19 | 6 |
| 104200-55330 | 19 | 9 |
| 104200-55341 | 19 | 7 |
| 104200-55750 | 19 | 8 |
| 104200-59170 | 20 | 16 |
| | 27 | 41 |
| 104200-61200 | 21 | 3 |
| 104211-03770 | 21 | 50 |
| 104211-11100 | 5 | 3 |
| 104211-11110 | 5 | 4 |
| 104211-11370 | 5 | 11 |
| 104300-76460 | 9 | 6 |
| 105225-01900 | 1 | 7 |
| 105225-11350 | 5 | 12 |
| 105225-21500 | 10 | 13 |
| 105225-21501 | 10 | 13 -1 |
| 110250-53150 | 18 | 10 |
| | 54 | 68 |
| 110250-55610 | 19 | 14 |
| 113200-53110 | 18 | 5 |
| 113200-53120 | 18 | 7 |
| 119660-61220 | 21 | 4 -1 |
| 121000-42051 | 14 | 26 |
| | 27 | 30 |
| 121000-42100 | 14 | 2 |
| 121023-42100 | 14 | 1 |
| 121023-42290 | 14 | 21 |
| | 26 | 7 |
| 121023-77910 | 23 | 1 |
| | 26 | 13 |
| 121085-01890 | 2 | 18 |
| 121120-77920 | 23 | 10 |
| 121150-51460 | 17 | 22 |
| 121241-07150 | 4 | 4 |

| Parts No. | Fig. No. | Ref. No. |
|--------------|----------|----------|
| 121241-07150 | 73 | 33 |
| | 74 | 32 |
| | 75 | 32 |
| | 76 | 32 |
| 121250-01710 | 5 | 18 |
| | 6 | 24 |
| 121250-02070 | 3 | 11 |
| | | 15 |
| 121250-35300 | 12 | 11 |
| 121250-35320 | 12 | 14 |
| 121250-35330 | 12 | 15 |
| 121250-35340 | 12 | 16 |
| 121250-44901 | 15 | 19 |
| | 26 | 9 |
| 121250-49160 | 16 | 11 |
| 121250-55620 | 19 | 15 |
| 121250-59860 | 20 | 7 |
| 121254-07150 | 4 | 3 |
| | 72 | 32 |
| 121254-55510 | 19 | 12 |
| 121400-91140 | 58 | 79 -1 |
| | 59 | 95 |
| | 60 | 94 |
| | 61 | 94 |
| | 62 | 94 |
| 121420-01760 | 6 | 5 |
| | 27 | 18 |
| 121440-12480 | 4 | 11 |
| | 7 | 33 |
| | 73 | 36 |
| | 74 | 35 |
| | 75 | 36 |
| | 76 | 36 |
| 121440-12520 | 4 | 9 |
| | 7 | 35 |
| | 73 | 37 |
| | 74 | 36 |
| | 75 | 35 |
| | 76 | 35 |
| 121450-01210 | 1 | 5 |
| 121450-01220 | 1 | 6 |
| 121450-01511 | 2 | 28 |
| | 27 | 8 |
| 121450-01531 | 2 | 20 |
| | 27 | 7 |
| 121450-01550 | 2 | 19 |
| 121450-01560 | 2 | 7 |
| 121450-01570 | 2 | 10 |
| 121450-01710 | 1 | 24 |
| 121450-01801 | 2 | 23 |

| Parts No. | Fig. No. | Ref. No. |
|--------------|----------|----------|
| 121450-01951 | 1 | 30 |
| 121450-01990 | 1 | 9 |
| 121450-03011 | 6 | 20 |
| 121450-03012 | 6 | 20 -1 |
| 121450-03020 | 6 | 21 |
| 121450-03030 | 6 | 22 |
| 121450-03610 | 6 | 13 |
| 121450-03770 | 6 | 8 |
| 121450-11260 | 5 | 30 |
| 121450-11270 | 5 | 31 |
| 121450-11550 | 5 | 21 -1 |
| 121450-11670 | 5 | 15 |
| 121450-11680 | 5 | 16 |
| | 27 | 14 |
| 121450-13200 | 8 | 17 |
| | 27 | 23 |
| 121450-14090 | 9 | 2 |
| 121450-14120 | 9 | 6 -1 |
| 121450-21540 | 10 | 7 |
| 121450-21541 | 10 | 7 -1 |
| 121450-32021 | 12 | 3 |
| | 27 | 24 |
| 121450-32050 | 12 | 2 |
| 121450-42050 | 14 | 10 |
| | 27 | 29 |
| 121450-42240 | 14 | 6 |
| 121450-42260 | 14 | 7 |
| 121450-42310 | 14 | 8 |
| 121450-42350 | 14 | 20 |
| 121450-42450 | 14 | 29 |
| 121450-44410 | 14 | 15 |
| | 27 | 31 |
| 121450-44530 | 15 | 7 |
| 121450-44740 | 15 | 15 |
| 121450-49020 | 16 | 1 |
| 121450-49030 | 16 | 3 |
| 121450-51010 | 17 | 2 |
| 121450-51500 | 17 | 11 |
| 121450-59550 | 20 | 22 |
| 121450-59850 | 20 | 4 |
| 121450-61000 | 21 | 12 |
| 121450-61001 | 21 | 12 -1 |
| 121450-61100 | 21 | 1 |
| 121450-61101 | 21 | 1 -1 |
| 121450-61520 | 21 | 7 |
| | | 22 |
| 121450-61620 | 21 | 6 |
| 121450-61631 | 21 | 10 |
| 121450-66160 | 21 | 21 |
| 121450-66170 | 21 | 22 -2 |

Parts No. Index

| Parts No. | Fig. No. | Ref. No. |
|--------------|----------|----------|
| 121450-66171 | 21 | 22 -1 |
| 121450-66180 | 21 | 20 |
| 121450-77200 | 22 | 6 |
| | 25 | 1 |
| 121450-77330 | 22 | 7 |
| 121450-77690 | 23 | 3 |
| 121450-77711 | 22 | 10 |
| 121450-91400 | 2 | 48 |
| 121454-12110 | 7 | 21 |
| 121454-12300 | 7 | 1 |
| 121454-12480 | 4 | 8 |
| | 7 | 34 |
| | 72 | 35 |
| 121454-12520 | 4 | 10 |
| | 7 | 32 |
| | 72 | 36 |
| 121454-12550 | 7 | 23 |
| 121454-12660 | 7 | 4 |
| 121454-44590 | 15 | 14 |
| 121454-49160 | 16 | 12 |
| 121454-55600 | 19 | 1 |
| 121454-59010 | 20 | 10 |
| 121454-59011 | 20 | 10 -1 |
| 121454-59060 | 20 | 19 |
| 121454-66002 | 21 | 26 -1 |
| 121454-66420 | 21 | 42 |
| 121456-91400 | 2 | 52 |
| 121456-91981 | 2 | 53 |
| 121456-91991 | 2 | 54 |
| 121462-03740 | 6 | 6 |
| 121462-44580 | 15 | 13 |
| 121465-11950 | 5 | 22 -1 |
| 121465-13582 | 8 | 18 -1 |
| 121465-59950 | 20 | 9 -1 |
| 121470-13580 | 8 | 6 |
| 121492-77200 | 22 | 14 |
| 121520-01850 | 1 | 26 |
| 121520-01851 | 1 | 26 -1 |
| 121520-01860 | 1 | 27 |
| 121520-02100 | 1 | 12 |
| 121520-02310 | 3 | 17 |
| 121520-35090 | 12 | 6 -1 |
| 121520-44510 | 15 | 5 |
| 121520-61520 | 21 | 7 -1 |
| 121520-61620 | 21 | 6 -1 |
| 121520-66000 | 21 | 26 |
| 121520-66010 | 21 | 44 |
| 121520-66550 | 21 | 31 |
| 121520-77710 | 22 | 10 -1 |
| 121522-59810 | 20 | 1 |

| Parts No. | Fig. No. | Ref. No. |
|--------------|----------|----------|
| 121522-59830 | 20 | 3 |
| 121540-13490 | 8 | 2 |
| 121550-01200 | 1 | 14 |
| 121550-01330 | 1 | 16 |
| | 27 | 4 |
| 121550-01331 | 1 | 16 -1 |
| | 27 | 4 -1 |
| 121550-02110 | 3 | 3 |
| 121550-02300 | 3 | 16 |
| 121550-02320 | 3 | 18 |
| 121550-02330 | 3 | 19 -1 |
| 121550-02350 | 3 | 20 -1 |
| 121550-03760 | 6 | 7 |
| 121550-11240 | 5 | 29 |
| 121550-11280 | 5 | 32 |
| 121550-11290 | 5 | 33 |
| 121550-11310 | 6 | 3 |
| | 27 | 17 |
| 121550-11400 | 5 | 46 |
| 121550-11411 | 5 | 47 |
| 121550-11451 | 5 | 48 |
| | 27 | 15 |
| 121550-13520 | 8 | 16 |
| | 27 | 22 |
| 121550-14010 | 9 | 1 |
| 121550-14400 | 9 | 5 |
| 121550-22090 | 11 | 1 |
| 121550-23200 | 11 | 12 |
| 121550-23380 | 11 | 14 |
| 121550-35090 | 12 | 6 |
| 121550-35100 | 12 | 7 |
| 121550-35110 | 12 | 8 |
| | 27 | 25 |
| 121550-39200 | 13 | 1 |
| 121550-49111 | 16 | 10 |
| 121550-51100 | 17 | 3 |
| 121550-77810 | 23 | 6 |
| 121551-01100 | 1 | 4 |
| 121551-02220 | 3 | 4 |
| 121551-21590 | 10 | 9 |
| 121551-21650 | 10 | 14 |
| 121551-34800 | 1 | 39 |
| 121551-59500 | 20 | 21 |
| 121551-66520 | 21 | 51 |
| 121551-66580 | 21 | 52 |
| 121551-66900 | 21 | 53 |
| 121554-12100 | 7 | 19 |
| 121554-42120 | 14 | 14 |
| 121554-42140 | 14 | 27 |
| 121554-44500 | 15 | 1 |

| Parts No. | Fig. No. | Ref. No. |
|--------------|----------|----------|
| 121554-44511 | 15 | 25 |
| 121554-44540 | 15 | 11 |
| 121554-49020 | 16 | 20 |
| 121554-49040 | 16 | 21 |
| 121554-59820 | 20 | 2 |
| 121567-61000 | 21 | 12 -2 |
| 121567-61620 | 21 | 6 -2 |
| 121567-61640 | 21 | 7 -2 |
| 121575-01510 | 2 | 50 |
| | 27 | 9 |
| 121575-01750 | 1 | 25 |
| | 27 | 6 |
| 121750-01920 | 1 | 13 |
| 121750-44550 | 15 | 10 -1 |
| 121750-59090 | 20 | 25 |
| 121750-59560 | 20 | 27 |
| | 23 | 2 |
| 121750-59890 | 58 | 9 -1 |
| | | 9 -2 |
| | | 72 -1 |
| | 59 | 29 |
| | | 29 -1 |
| | | 88 |
| | 60 | 28 |
| | | 87 |
| | 61 | 28 |
| | | 87 |
| | 62 | 28 |
| | | 87 |
| 121750-77800 | 23 | 5 |
| 123325-59100 | 20 | 5 |
| 123325-59110 | 20 | 6 |
| 124040-07160 | 4 | 6 |
| | 73 | 34 |
| | 74 | 33 |
| | 75 | 33 |
| | 76 | 33 |
| 124060-01050 | 1 | 3 |
| | 2 | 5 |
| 124060-11120 | 5 | 5 |
| 124060-11160 | 5 | 6 |
| 124060-11170 | 5 | 7 |
| 124060-23100 | 11 | 11 |
| 124060-51300 | 17 | 5 |
| 124060-59380 | 20 | 17 |
| 124060-59391 | 20 | 15 |
| 124060-77680 | 20 | 28 |
| | | 31 |
| | 23 | 4 |
| | 30 | 15 |

| Parts No. | Fig. No. | Ref. No. |
|--------------|----------|----------|
| 124064-07160 | 4 | 5 |
| | 72 | 33 |
| 124064-12400 | 7 | 8 |
| 124064-12420 | 7 | 10 |
| 124064-12430 | 7 | 12 |
| | | 14 |
| | 27 | 20 |
| 124064-12440 | 7 | 13 |
| 124064-12450 | 7 | 17 |
| 124064-12460 | 7 | 18 |
| 124064-12470 | 7 | 11 |
| 124064-12510 | 7 | 3 |
| | 26 | 3 |
| 124064-12560 | 7 | 22 |
| 124064-12570 | 7 | 24 |
| 124064-12580 | 7 | 25 |
| 124064-12670 | 7 | 5 |
| 124064-12680 | 7 | 6 |
| 124064-12690 | 7 | 7 |
| 124066-59100 | 20 | 26 |
| 124067-12050 | 7 | 20 |
| | 27 | 21 |
| 124085-01820 | 2 | 24 |
| 124085-01900 | 1 | 7 -1 |
| 124085-35300 | 12 | 11 -1 |
| 124085-35350 | 12 | 17 -1 |
| 124160-01650 | 6 | 26 |
| | 20 | 20 |
| 124160-01751 | 6 | 4 |
| 124160-11360 | 6 | 18 |
| 124160-39140 | 13 | 2 |
| 124160-39450 | 13 | 7 |
| | 26 | 6 |
| 124160-49480 | 16 | 22 |
| 124220-51890 | 4 | 15 |
| | 17 | 43 |
| 124240-01882 | 2 | 43 |
| | 27 | 10 |
| 124240-01883 | 2 | 43 -1 |
| | 27 | 10 -1 |
| 124250-03640 | 21 | 49 |
| 124250-59260 | 20 | 12 |
| 124250-77012 | 22 | 1 |
| | 24 | 1 |
| 124250-77070 | 24 | 7 -1 |
| 124250-77110 | 24 | 12 -1 |
| 124250-77120 | 24 | 13 -1 |
| 124250-77130 | 24 | 14 -1 |
| 124250-77140 | 24 | 15 -1 |
| 124250-77150 | 24 | 16 -1 |

Parts No. Index

| Parts No. | Fig. No. | Ref. No. |
|--------------|----------|----------|
| 124250-77160 | 24 | 17 -1 |
| 124250-77170 | 24 | 18 -1 |
| 124250-77180 | 24 | 19 -1 |
| 124250-77190 | 24 | 20 -1 |
| 124250-77210 | 24 | 22 -1 |
| 124250-77220 | 24 | 23 -1 |
| 124250-77230 | 24 | 24 -1 |
| 124250-77240 | 24 | 25 -1 |
| 124250-77270 | 24 | 29 -1 |
| 124250-77310 | 24 | 28 -1 |
| 124250-77320 | 24 | 33 -1 |
| 124250-77500 | 24 | 2 -1 |
| 124250-77510 | 24 | 3 -1 |
| 124250-77520 | 24 | 21 -1 |
| 124250-77540 | 24 | 35 -1 |
| 124250-77550 | 24 | 32 -1 |
| 124450-01610 | 1 | 18 |
| 124450-12560 | 7 | 15 -1 |
| 124450-12571 | 7 | 16 |
| 124450-21230 | 10 | 12 |
| 124450-35100 | 12 | 9 |
| | 26 | 5 |
| 124450-35110 | 12 | 10 |
| | 27 | 26 |
| 124450-35350 | 12 | 17 |
| 124450-39240 | 13 | 6 |
| 124450-44550 | 15 | 10 |
| | | 27 |
| 124450-44560 | 15 | 8 |
| 124450-44590 | 15 | 2 |
| | | 26 |
| 124460-77820 | 23 | 7 |
| 124465-13652 | 8 | 5 |
| 124465-44950 | 15 | 20 |
| | 27 | 33 |
| 124550-35110 | 12 | 9 -1 |
| 124550-51320 | 17 | 7 |
| 124550-51341 | 17 | 8 |
| 124550-51350 | 17 | 6 |
| | 27 | 37 |
| 124550-51370 | 17 | 9 |
| | 27 | 38 |
| 124550-55700 | 19 | 11 |
| | 26 | 12 |
| 124550-59030 | 20 | 23 |
| 124550-59090 | 20 | 24 |
| 124550-59820 | 13 | 4 |
| 124550-66370 | 21 | 43 |
| 124550-77020 | 22 | 2 |
| 124550-77030 | 22 | 3 |

| Parts No. | Fig. No. | Ref. No. |
|--------------|----------|----------|
| 124550-77710 | 22 | 17 |
| 124610-77210 | 22 | 15 |
| 124736-42290 | 14 | 28 |
| | 26 | 8 |
| 124740-44800 | 4 | 13 |
| | 15 | 4 |
| | 73 | 38 |
| | 74 | 37 |
| | 75 | 37 |
| | 76 | 37 |
| 124740-44810 | 4 | 19 |
| | 15 | 22 |
| | 73 | 39 |
| | 74 | 38 |
| | 75 | 38 |
| | 76 | 38 |
| 124740-44920 | 4 | 17 |
| | 15 | 24 |
| | 73 | 40 |
| | 74 | 39 |
| | 75 | 39 |
| | 76 | 39 |
| 124740-77980 | 4 | 21 |
| | 73 | 41 |
| | 74 | 40 |
| | 75 | 40 |
| | 76 | 40 |
| 124764-44800 | 4 | 12 |
| | 15 | 3 |
| | 72 | 37 |
| 124764-44810 | 4 | 18 |
| | 15 | 21 |
| | 72 | 38 |
| 124764-44920 | 4 | 16 |
| | 15 | 23 |
| | 72 | 39 |
| 124764-77090 | 22 | 4 |
| 124764-77980 | 4 | 20 |
| | 72 | 40 |
| 124766-59050 | 16 | 13 |
| | 20 | 13 |
| | | 14 |
| | 30 | 14 |
| 124770-53000 | 18 | 3 |
| | 26 | 11 |
| 124950-11340 | 5 | 10 |
| 124950-26420 | 2 | 39 |
| 124950-51190 | 17 | 12 |
| 124950-51270 | 17 | 4 |
| | 27 | 36 |

| Parts No. | Fig. No. | Ref. No. |
|--------------|----------|----------|
| 124950-51450 | 17 | 23 |
| 124950-51510 | 17 | 10 |
| 124950-51640 | 17 | 35 |
| 124950-51650 | 17 | 36 |
| 124950-51670 | 17 | 37 |
| 124950-55900 | 22 | 13 |
| 128272-11170 | 5 | 7 -1 |
| 129350-01230 | 1 | 15 |
| 129350-01600 | 1 | 17 |
| 129350-13490 | 8 | 1 |
| 129350-14100 | 9 | 3 |
| 129350-21200 | 10 | 6 |
| 129350-21600 | 10 | 11 |
| 129350-26000 | 2 | 34 |
| 129350-26050 | 2 | 35 |
| 129350-26100 | 2 | 36 |
| 129350-26160 | 2 | 44 |
| 129350-26200 | 2 | 37 |
| 129350-26400 | 2 | 38 |
| 129350-26490 | 2 | 40 |
| 129350-32090 | 12 | 1 |
| 129350-42200 | 14 | 5 |
| 129350-49010 | 16 | 2 |
| 129350-49120 | 16 | 6 |
| 129350-49130 | 16 | 5 |
| 129350-49530 | 16 | 15 |
| 129350-49540 | 16 | 16 |
| | 27 | 35 |
| 129350-49541 | 16 | 16 -1 |
| | 27 | 35 -1 |
| 129350-49800 | 16 | 14 |
| | 26 | 10 |
| 129350-61600 | 21 | 5 |
| 129350-77050 | 22 | 5 |
| 129350-77051 | 22 | 5 -1 |
| 129354-77330 | 22 | 16 |
| 135210-61090 | 21 | 40 |
| 160260-01800 | 6 | 9 |
| 171051-01921 | 1 | 13 -1 |
| 171051-59810 | 20 | 1 -1 |
| 171051-59820 | 20 | 2 -1 |
| 171051-59830 | 20 | 3 -1 |
| 172100-22400 | 11 | 8 |
| 172100-53200 | 18 | 9 |
| | 27 | 39 |
| 172200-61220 | 21 | 4 |
| 174100-54120 | 17 | 20 |
| 174307-51170 | 17 | 13 |
| 174307-51181 | 17 | 14 |
| 174307-51700 | 17 | 24 |

| Parts No. | Fig. No. | Ref. No. |
|----------------|----------|----------|
| 177088-06160 | 56 | 35 |
| | | 35 -1 |
| 192060-46110 | 63 | 4 |
| | 64 | 4 |
| | 65 | 4 |
| | 66 | 4 |
| 194065-34170 | 51 | 3 -1 |
| 194080-15420 | 37 | 16 |
| | 38 | 16 |
| 194080-15430 | 37 | 17 |
| | 38 | 17 |
| 194080-15440 | 37 | 18 |
| | 38 | 18 |
| 194080-15450 | 37 | 19 |
| | 38 | 19 |
| 194080-15460 | 37 | 20 |
| | 38 | 20 |
| 194080-15550 | 37 | 33 |
| | 38 | 33 |
| 194080-37781 | 52 | 19 |
| 194080-51411 | 58 | 7 |
| | 59 | 8 |
| | 60 | 8 |
| | 61 | 8 |
| | 62 | 8 |
| 194080-51430 | 58 | 20 |
| | 59 | 24 |
| | 60 | 124 |
| | 61 | 135 |
| | 62 | 123 |
| 194080-57202 | 58 | 96 |
| | 59 | 112 |
| | 60 | 111 |
| | 61 | 111 |
| | 62 | 111 |
| 194080-58810 | 58 | 11 |
| | 63 | 40 |
| | 64 | 41 |
| | 65 | 40 |
| | 66 | 40 |
| 194080-74631 | 77 | 31 |
| 194080-81111-R | 89 | 1 |
| 194080-81212-R | 89 | 5 |
| 194080-81230-R | 89 | 2 |
| 194080-82110 | 90 | 9 |
| 194081-12960 | 80 | 3 |
| | 81 | 3 |
| 194081-12970 | 80 | 4 |
| | 81 | 4 |
| 194081-54110 | 58 | 61 |

Parts No. Index

| Parts No. | Fig. No. | Ref. No. |
|----------------|----------|----------|
| 194081-54110 | 61 | 124 |
| 194081-54120 | 58 | 62 |
| | 61 | 125 |
| 194081-54131 | 58 | 63 |
| | 61 | 126 |
| 194081-54140 | 58 | 69 A |
| 194081-54151 | 58 | 64 |
| | 61 | 127 |
| 194081-54160 | 58 | 69 B |
| 194081-54171 | 58 | 69 C |
| 194081-54181 | 58 | 69 D |
| 194081-54190 | 58 | 69 E |
| 194081-54210 | 58 | 65 |
| | 61 | 128 |
| 194081-54221 | 58 | 66 |
| | 61 | 129 |
| 194081-54230 | 58 | 67 |
| | 61 | 130 |
| 194081-54240 | 58 | 68 |
| | 61 | 131 |
| 194081-55820 | 58 | 69 |
| | 61 | 132 |
| 194110-37691 | 52 | 15 |
| 194115-21400 | 39 | 12 -1 |
| 194130-12321-X | 32 | 44 |
| 194130-12330 | 32 | 45 |
| 194130-12720 | 32 | 35 |
| 194130-15470 | 37 | 22 |
| | 38 | 22 |
| 194130-22170 | 39 | 19 |
| 194130-22280 | 39 | 4 |
| 194130-33190 | 49 | 22 |
| 194130-34811-P | 80 | 12 |
| | | 22 |
| | 82 | 17 |
| | | 27 |
| 194130-34811-Q | 81 | 12 |
| | | 22 |
| | 83 | 17 |
| | | 27 |
| | 92 | 14 |
| | | 24 |
| | 93 | 15 |
| | | 25 |
| 194130-34821-P | 82 | 16 |
| | | 26 |
| 194130-34821-Q | 83 | 16 |
| | | 26 |
| 194130-34840 | 80 | 14 |
| | | 24 |

| Parts No. | Fig. No. | Ref. No. |
|----------------|----------|----------|
| 194130-34840 | 81 | 14 |
| | | 24 |
| | 82 | 19 |
| | | 29 |
| | 83 | 19 |
| | | 29 |
| | 92 | 16 |
| | | 26 |
| | 93 | 17 |
| | | 27 |
| 194130-34850 | 80 | 13 |
| | | 23 |
| | 81 | 13 |
| | | 23 |
| | 82 | 18 |
| | | 28 |
| | 83 | 18 |
| | | 28 |
| | 92 | 15 |
| | | 25 |
| | 93 | 16 |
| | | 26 |
| 194130-34891-P | 80 | 11 |
| | | 21 |
| 194130-34891-Q | 81 | 11 |
| | | 21 |
| 194130-37560 | 52 | 11 |
| 194130-37730 | 39 | 32 |
| | 57 | 2 |
| 194130-37740 | 52 | 17 |
| 194130-43350 | 55 | 2 |
| 194130-44480 | 55 | 11 |
| 194130-46750 | 54 | 21 |
| 194130-48650 | 53 | 24 |
| 194136-04720 | 30 | 13 |
| 194136-12880 | 84 | 4 |
| | | 8 |
| | 85 | 4 |
| | | 8 |
| | 86 | 4 |
| | | 8 |
| | 87 | 4 |
| | | 8 |
| | 94 | 5 |
| | | 9 |
| 194136-34710 | 86 | 10 |
| | | 15 |
| | 87 | 10 |
| | | 15 |
| 194136-34720 | 86 | 11 |

| Parts No. | Fig. No. | Ref. No. |
|----------------|----------|----------|
| 194136-34720 | 86 | 16 |
| | 87 | 11 |
| | | 16 |
| 194136-34750-P | 85 | 13 |
| | | 18 |
| 194136-34750-Q | 84 | 13 |
| | | 18 |
| 194136-34760-P | 85 | 13 -1 |
| | | 18 -1 |
| | 87 | 13 |
| | | 18 |
| 194136-34760-Q | 84 | 13 -1 |
| | | 18 -1 |
| | 86 | 13 |
| | | 18 |
| 194140-63221 | 69 | 5 |
| | 70 | 5 |
| | 71 | 4 |
| 194145-01260 | 28 | 5 |
| | 29 | 5 |
| 194145-04302 | 30 | 2 |
| 194145-04311 | 30 | 3 |
| 194145-04351 | 30 | 4 |
| 194145-04460 | 30 | 5 |
| 194145-04521 | 30 | 6 |
| 194145-04810 | 45 | 9 -1 |
| 194145-11350 | 32 | 8 |
| | | 12 |
| 194145-11801-X | 32 | 18 |
| 194145-11820 | 32 | 19 |
| 194145-11860 | 32 | 20 |
| 194145-11870 | 32 | 21 |
| 194145-11910 | 32 | 22 |
| 194145-11920 | 32 | 23 |
| 194145-11930 | 32 | 24 |
| 194145-11970 | 32 | 25 |
| 194145-11980 | 32 | 26 |
| 194145-11990 | 32 | 27 |
| 194145-12611-X | 32 | 32 |
| 194145-12630 | 32 | 33 |
| 194145-12640-X | 32 | 34 |
| 194145-15651 | 37 | 36 |
| | 38 | 36 |
| 194145-27960 | 46 | 21 |
| 194145-36651 | 50 | 10 -1 |
| 194145-47160 | 45 | 22 |
| 194145-51570 | 63 | 6 |
| 194145-52820 | 58 | 37 |
| | 59 | 45 |
| 194145-52830 | 58 | 38 |

| Parts No. | Fig. No. | Ref. No. |
|--------------|----------|----------|
| 194145-52830 | 59 | 46 |
| 194145-52840 | 58 | 39 |
| | 59 | 47 |
| 194145-52850 | 59 | 48 |
| 194145-61560 | 63 | 45 |
| | 64 | 46 |
| | 65 | 45 |
| | 66 | 45 |
| | 67 | 33 -2 |
| | 68 | 38 -1 |
| 194145-61570 | 63 | 1 -1 |
| | 64 | 1 |
| | 65 | 1 |
| | 66 | 1 |
| 194145-61650 | 63 | 18 |
| | | 51 |
| | 64 | 19 |
| | | 52 |
| | 65 | 19 |
| | | 51 |
| | 66 | 19 |
| | | 51 |
| 194145-64430 | 63 | 54 |
| | 64 | 55 |
| | 65 | 54 |
| | 66 | 54 |
| | 67 | 9 -1 |
| | | 9 -2 |
| | 68 | 9 |
| | | 9 -1 |
| 194145-72550 | 77 | 16 |
| | | 24 |
| 194145-73150 | 77 | 29 |
| 194145-75250 | 77 | 37 |
| 194145-82240 | 90 | 10 |
| 194150-01190 | 52 | 1 |
| 194150-01270 | 28 | 6 |
| | 29 | 6 |
| 194150-01370 | 28 | 9 |
| | 29 | 9 |
| 194150-04810 | 63 | 1 |
| 194150-21910 | 31 | 4 |
| | 39 | 6 |
| 194150-22160 | 39 | 18 |
| 194150-22310 | 39 | 23 |
| 194150-22460 | 39 | 29 |
| 194150-22480 | 39 | 31 |
| | 52 | 2 |
| | 57 | 1 |
| 194150-27760 | 46 | 19 |

Parts No. Index

| Parts No. | Fig. No. | Ref. No. |
|----------------|----------|----------|
| 194150-27870 | 46 | 20 |
| | 49 | 36 |
| 194150-33150 | 50 | 38 |
| 194150-36550 | 52 | 28 |
| 194150-36651 | 50 | 10 |
| 194150-37530 | 52 | 6 |
| 194150-37570 | 52 | 12 |
| 194150-42130 | 54 | 3 |
| 194150-42280 | 54 | 11 |
| 194150-44211 | 55 | 6 |
| 194150-44261 | 55 | 9 |
| 194150-45320 | 54 | 63 |
| 194150-45340 | 54 | 64 |
| 194150-45361 | 54 | 65 |
| 194150-51620 | 33 | 26 |
| | 58 | 9 |
| | | 72 |
| 194150-52160 | 58 | 26 |
| | 59 | 33 |
| | 60 | 32 |
| | 61 | 32 |
| | 62 | 32 |
| 194150-52170 | 58 | 27 |
| | 59 | 34 |
| | 60 | 33 |
| | 61 | 33 |
| | 62 | 33 |
| 194150-61740 | 64 | 7 |
| | 65 | 7 |
| | 66 | 7 |
| 194150-71230 | 77 | 2 |
| | | 2 -1 |
| 194150-74670-U | 77 | 32 |
| 194150-74910-X | 77 | 35 |
| 194150-74920 | 77 | 36 |
| 194151-04260 | 30 | 9 |
| | | 9 -1 |
| 194151-24770 | 35 | 8 |
| | | 26 |
| | 40 | 18 |
| | 47 | 1 |
| | 49 | 17 |
| 194151-36670 | 35 | 9 |
| | 50 | 11 |
| 194151-37730 | 52 | 16 |
| 194151-42831 | 54 | 13 |
| 194151-44111 | 55 | 5 |
| 194151-45370 | 54 | 66 |
| 194151-46261 | 54 | 67 |
| 194151-46640-X | 54 | 54 |

| Parts No. | Fig. No. | Ref. No. |
|--------------|----------|----------|
| 194151-47760 | 57 | 16 |
| 194151-48710 | 53 | 38 |
| 194151-57100 | 58 | 94 |
| 194151-57210 | 58 | 97 |
| | 59 | 113 |
| | 60 | 112 |
| | 61 | 112 |
| | 62 | 112 |
| 194151-63240 | 69 | 6 |
| | 70 | 6 |
| | 71 | 5 |
| 194151-63250 | 69 | 8 |
| | 70 | 8 |
| | 71 | 7 |
| 194155-05210 | 58 | 33 -1 |
| | 59 | 40 -1 |
| | 60 | 39 |
| | 61 | 39 |
| | 62 | 39 |
| | 63 | 70 -1 |
| | 64 | 71 -1 |
| | 65 | 69 |
| | 66 | 69 |
| | 67 | 29 -1 |
| | 68 | 29 -1 |
| | 71 | 15 |
| 194155-52190 | 58 | 23 |
| | | 23 -1 |
| | 59 | 28 |
| | | 28 -1 |
| | 60 | 27 |
| | 61 | 27 |
| | 62 | 27 |
| 194155-55820 | 58 | 86 |
| | 59 | 102 |
| | 60 | 101 |
| | 61 | 101 |
| | 62 | 101 |
| 194162-53310 | 45 | 30 |
| 194162-58830 | 63 | 41 |
| | 64 | 42 |
| | 65 | 41 |
| | 66 | 41 |
| 194166-14800 | 82 | 2 |
| | | 7 |
| | 83 | 2 |
| | | 7 |
| 194166-14810 | 82 | 3 |
| | | 8 |
| | | 8 |
| | 83 | 3 |

| Parts No. | Fig. No. | Ref. No. |
|----------------|----------|----------|
| 194166-14810 | 83 | 8 |
| 194166-14820 | 82 | 4 |
| | | 9 |
| | 83 | 4 |
| | | 9 |
| 194167-62110-R | 67 | 3 |
| | 68 | 3 |
| 194167-62111-R | 67 | 3 -1 |
| | 68 | 3 -1 |
| 194167-62120-R | 67 | 4 |
| | 68 | 4 |
| 194167-62121-R | 67 | 4 -1 |
| | 68 | 4 -1 |
| 194170-27100 | 45 | 6 |
| 194170-27120 | 45 | 7 |
| 194170-27130-X | 45 | 8 |
| 194170-27140 | 45 | 9 |
| 194170-27150 | 45 | 12 |
| 194170-27170-X | 45 | 13 |
| 194170-27180-X | 45 | 14 |
| 194170-27190 | 45 | 15 |
| 194170-27210-X | 45 | 16 |
| 194170-27220-X | 45 | 17 |
| 194170-27260-U | 45 | 19 |
| 194170-27261-U | 45 | 19 -1 |
| 194170-27290-X | 45 | 23 |
| 194170-27310-X | 45 | 24 |
| 194170-27320-X | 45 | 25 |
| 194170-27330-U | 45 | 26 |
| 194170-27340-X | 45 | 27 |
| 194170-27380 | 45 | 18 -1 |
| 194170-37660-X | 52 | 13 |
| 194170-42200-X | 54 | 7 |
| 194170-42220 | 54 | 10 |
| 194170-43200-X | 54 | 14 |
| 194170-45100-X | 56 | 1 |
| 194170-45101-X | 56 | 1 -1 |
| 194170-45120 | 56 | 1 A |
| 194170-45220 | 56 | 4 |
| 194170-45230 | 56 | 5 |
| 194170-45250 | 56 | 6 |
| 194170-45320 | 56 | 8 |
| 194170-45321 | 56 | 8 -1 |
| 194170-45330 | 56 | 9 |
| 194170-45350 | 56 | 10 |
| 194170-45360 | 56 | 11 |
| 194170-45370 | 56 | 12 |
| 194170-45410 | 56 | 3 G |
| | | 3 G-1 |
| | | 33 |

| Parts No. | Fig. No. | Ref. No. |
|----------------|----------|----------|
| 194170-45410 | 56 | 33 -1 |
| 194170-45430 | 56 | 32 |
| 194170-45440 | 56 | 14 |
| 194170-45500 | 56 | 3 D |
| 194170-45520 | 56 | 16 |
| 194170-45530 | 56 | 17 |
| 194170-45540 | 56 | 18 |
| 194170-45541 | 56 | 18 -1 |
| | | 18 -2 |
| 194170-45550 | 56 | 19 |
| 194170-45560 | 56 | 20 |
| 194170-45570 | 56 | 21 |
| 194170-45600 | 54 | 39 |
| 194170-45610 | 54 | 40 |
| 194170-45620 | 54 | 41 |
| 194170-45630 | 54 | 42 |
| 194170-45700 | 54 | 43 |
| 194170-45710 | 54 | 44 |
| 194170-45720 | 54 | 45 |
| 194170-45730 | 54 | 46 |
| 194170-45740 | 54 | 47 |
| 194170-46300 | 54 | 51 |
| 194170-46620 | 54 | 52 |
| 194170-46630 | 54 | 53 |
| 194170-46650 | 54 | 55 |
| 194170-46651 | 54 | 55 -1 |
| 194170-46660 | 54 | 56 |
| 194170-46670 | 54 | 57 |
| 194170-47310-X | 57 | 4 |
| 194170-47420 | 57 | 7 |
| 194170-47440 | 57 | 8 |
| 194170-48950 | 40 | 29 |
| 194170-51210 | 63 | 73 |
| | 64 | 74 |
| | 65 | 72 |
| | 66 | 72 |
| 194170-52130 | 58 | 25 |
| | 59 | 32 |
| | 60 | 31 |
| | 61 | 31 |
| | 62 | 31 |
| 194170-55120 | 58 | 81 |
| | 59 | 97 |
| | 60 | 96 |
| | 61 | 96 |
| | 62 | 96 |
| 194170-55130 | 58 | 82 |
| | 59 | 98 |
| | 60 | 97 |
| | 61 | 97 |

Parts No. Index

| Parts No. | Fig. No. | Ref. No. |
|----------------|----------|----------|
| 194170-55130 | 62 | 97 |
| 194170-55150 | 58 | 83 |
| | 59 | 99 |
| | 60 | 98 |
| | 61 | 98 |
| | 62 | 98 |
| 194170-55160 | 58 | 84 |
| | 59 | 100 |
| | 60 | 99 |
| | 61 | 99 |
| | 62 | 99 |
| 194170-55170 | 58 | 85 |
| | 59 | 101 |
| | 60 | 100 |
| | 61 | 100 |
| | 62 | 100 |
| 194170-63110-X | 69 | 2 |
| | 70 | 2 |
| 194170-63111-X | 69 | 2 -1 |
| 194170-65470 | 72 | 27 |
| | 75 | 27 |
| | 76 | 27 |
| 194170-65510 | 72 | 8 |
| | 75 | 8 |
| | 76 | 8 |
| 194170-65570 | 72 | 13 |
| | 75 | 13 |
| | 76 | 13 |
| 194170-65580 | 72 | 14 |
| | 73 | 14 |
| | 74 | 14 |
| | 75 | 14 |
| | 76 | 14 |
| 194170-65620 | 72 | 24 |
| | 73 | 25 |
| | 75 | 24 |
| | 76 | 24 |
| 194170-65890 | 72 | 28 |
| 194170-65891 | 72 | 28 -1 |
| | 73 | 31 |
| | 75 | 28 |
| | 76 | 28 |
| 194170-72230-X | 77 | 14 |
| 194171-13770-X | 35 | 21 -2 |
| 194171-13870 | 35 | 23 -1 |
| 194171-14110-X | 36 | 18 -1 |
| 194171-14160 | 36 | 21 -1 |
| 194171-14170 | 36 | 22 -1 |
| 194171-14180 | 36 | 23 -1 |
| 194171-14190 | 36 | 24 -1 |

| Parts No. | Fig. No. | Ref. No. |
|----------------|----------|----------|
| 194172-01500 | 29 | 26 |
| 194172-65510 | 73 | 8 |
| | 74 | 8 |
| 194172-65570 | 73 | 13 |
| | 74 | 13 |
| 194180-12650 | 32 | 37 -1 |
| 194180-47490-X | 57 | 10 |
| 194180-47500-X | 57 | 11 |
| 194190-15560 | 37 | 34 |
| | 38 | 34 |
| 194190-22250 | 39 | 3 |
| 194190-24290 | 40 | 17 |
| 194190-26180 | 44 | 4 |
| 194190-26860-X | 49 | 35 |
| 194190-31120 | 34 | 39 |
| 194190-31130 | 34 | 40 |
| 194190-31490 | 34 | 4 |
| | | 21 |
| 194190-31510 | 34 | 18 |
| 194190-32100 | 34 | 20 |
| 194190-56900 | 58 | 79 |
| 194190-61250 | 63 | 9 |
| | 64 | 10 |
| | 65 | 10 |
| | 66 | 10 |
| 194190-61560 | 63 | 46 |
| | 64 | 47 |
| | 65 | 46 |
| | 66 | 46 |
| 194190-61750 | 63 | 20 |
| 194190-61761 | 63 | 21 |
| | 64 | 22 |
| | 65 | 22 |
| | 66 | 22 |
| 194190-61780 | 63 | 22 |
| | 64 | 23 |
| | 65 | 23 |
| | 66 | 23 |
| 194191-13232 | 31 | 10 |
| 194191-13240 | 31 | 11 |
| 194191-13270 | 33 | 19 |
| 194191-13331-X | 33 | 21 |
| 194191-13340 | 33 | 22 |
| 194191-13350 | 33 | 23 |
| 194191-13370 | 33 | 25 |
| 194191-13530 | 34 | 8 |
| 194191-13540 | 34 | 9 |
| 194191-13662 | 34 | 30 |
| 194191-13671 | 34 | 10 |
| 194191-13681 | 34 | 31 |

| Parts No. | Fig. No. | Ref. No. |
|----------------|----------|----------|
| 194191-28350 | 44 | 15 |
| 194191-28451 | 47 | 12 |
| 194191-28480 | 47 | 13 |
| 194197-01160 | 28 | 3 |
| | 29 | 3 |
| 194197-15150-X | 37 | 3 -1 |
| | 38 | 3 -1 |
| 194197-15610-X | 37 | 35 |
| | 38 | 35 |
| 194197-21160 | 39 | 11 |
| 194197-24970-X | 49 | 18 |
| 194197-26690 | 44 | 12 |
| 194197-26700 | 44 | 13 |
| 194197-26710 | 44 | 14 |
| 194197-26910-X | 49 | 21 |
| 194197-26911-X | 49 | 21 -1 |
| 194197-72201-X | 77 | 13 |
| 194197-75210-X | 78 | 1 |
| 194200-41170 | 53 | 4 |
| 194200-41180 | 53 | 5 |
| 194200-41190 | 53 | 6 |
| 194200-41200 | 53 | 7 |
| 194200-65610 | 72 | 18 |
| | 73 | 18 |
| | 74 | 18 |
| | 75 | 18 |
| | 76 | 18 |
| 194201-53050 | 58 | 42 |
| 194201-53051 | 58 | 42 -1 |
| 194201-53100 | 58 | 45 -1 |
| 194201-53110 | 58 | 46 |
| 194240-14210-X | 32 | 40 |
| 194240-34710 | 84 | 10 |
| | | 15 |
| | | 85 |
| | | 10 |
| | | 15 |
| 194240-34720 | 84 | 11 |
| | | 16 |
| | | 85 |
| | | 11 |
| | | 16 |
| 194240-34730 | 84 | 12 |
| | | 17 |
| | | 85 |
| | | 12 |
| | | 17 |
| | | 86 |
| | | 12 |
| | | 17 |
| | | 87 |
| | | 12 |
| | | 17 |
| 194240-51820 | 59 | 25 |
| | 60 | 24 |

| Parts No. | Fig. No. | Ref. No. |
|----------------|----------|----------|
| 194240-51820 | 61 | 24 |
| | 62 | 24 |
| 194240-52120 | 59 | 31 |
| | 60 | 30 |
| | 61 | 30 |
| | 62 | 30 |
| 194240-52210 | 58 | 29 |
| | 59 | 36 |
| | 60 | 35 |
| | 61 | 35 |
| | 62 | 35 |
| 194240-52400 | 59 | 42 |
| | 60 | 41 |
| | 61 | 41 |
| | 62 | 41 |
| 194240-62250-R | 68 | 33 |
| 194240-62251-R | 68 | 33 -1 |
| 194240-62260-R | 68 | 34 |
| 194240-65432 | 72 | 4 |
| | 73 | 4 |
| | 74 | 4 |
| | 75 | 4 |
| | 76 | 4 |
| 194240-65441 | 72 | 5 |
| | 73 | 5 |
| | 74 | 5 |
| | 75 | 5 |
| | 76 | 5 |
| 194240-65671 | 72 | 22 |
| | 75 | 22 |
| | 76 | 22 |
| 194240-75720 | 79 | 3 |
| 194240-83420 | 58 | 8 |
| | 59 | 9 |
| | 60 | 9 |
| | 61 | 9 |
| | 62 | 9 |
| 194240-98221 | 73 | 23 |
| | 74 | 23 |
| 194240-98251 | 73 | 29 |
| | 74 | 29 |
| 194241-14101-X | 36 | 18 |
| 194241-15100-X | 37 | 1 |
| | 38 | 1 |
| 194241-15110-X | 37 | 2 |
| | 38 | 2 |
| 194241-15200-X | 37 | 5 |
| | 38 | 5 |
| 194241-15310 | 37 | 11 |
| | 38 | 11 |

Parts No. Index

| Parts No. | Fig. No. | Ref. No. |
|----------------|----------|----------|
| 194241-15320 | 37 | 12 |
| | 38 | 12 |
| 194241-15350 | 37 | 14 |
| | 38 | 14 |
| 194241-15500 | 37 | 23 |
| | 38 | 23 |
| 194241-27540 | 46 | 6 |
| 194242-51660 | 59 | 12 |
| | 60 | 12 |
| | 61 | 12 |
| | 62 | 12 |
| 194242-75711 | 79 | 1 |
| 194242-75740 | 79 | 2 |
| 194250-51660 | 58 | 104 |
| | | 104 -1 |
| | 59 | 10 |
| | | 10 -1 |
| | 60 | 10 |
| | 61 | 10 |
| | 62 | 10 |
| 194250-61640 | 63 | 17 -1 |
| | 64 | 18 -1 |
| | 65 | 18 |
| | 66 | 18 |
| 194262-53080 | 58 | 43 |
| 194262-53090 | 58 | 44 |
| 194262-53100 | 58 | 45 |
| 194273-65611 | 72 | 19 |
| | 73 | 19 |
| | 74 | 19 |
| | 75 | 19 |
| | 76 | 19 |
| 194274-13570 | 40 | 9 |
| | 50 | 26 |
| 194274-13580 | 40 | 6 |
| | | 33 |
| 194275-12910-P | 80 | 5 |
| 194275-12910-Q | 81 | 5 |
| 194275-45340 | 54 | 38 |
| 194275-51141 | 58 | 4 -1 |
| 194275-51210 | 63 | 5 |
| 194275-53401 | 58 | 48 |
| 194275-53410 | 58 | 49 |
| 194275-53421 | 58 | 50 |
| 194275-53431 | 58 | 51 |
| 194275-53451 | 58 | 53 |
| 194275-53481 | 58 | 55 |
| 194275-61480 | 63 | 14 |
| | | 14 -1 |
| | 64 | 15 |

| Parts No. | Fig. No. | Ref. No. |
|----------------|----------|----------|
| 194275-61480 | 64 | 15 -1 |
| | 65 | 15 |
| | 66 | 15 |
| 194275-62310 | 63 | 62 |
| | 64 | 63 |
| | 65 | 61 |
| | 66 | 61 |
| 194275-62320 | 67 | 9 |
| 194275-63120 | 69 | 3 |
| 194275-65660 | 72 | 21 |
| | 75 | 21 |
| | 76 | 21 |
| 194275-73180 | 50 | 12 |
| 194278-12650 | 32 | 37 -2 |
| | 36 | 30 -1 |
| 194280-34170 | 51 | 3 |
| 194281-42810-X | 54 | 12 |
| 194281-63240 | 69 | 7 |
| | 70 | 7 |
| | 71 | 6 |
| 194282-44230 | 55 | 7 |
| 194282-44250 | 55 | 8 |
| 194282-44530-X | 55 | 13 |
| 194286-71500-X | 77 | 4 |
| 194286-74680-U | 77 | 32 -1 |
| 194292-51191 | 59 | 120 |
| | 60 | 119 |
| 194292-74800-U | 77 | 34 -1 |
| 194292-75750 | 79 | 7 |
| 194300-24340 | 41 | 16 |
| 194300-24350 | 41 | 17 |
| 194300-24511 | 40 | 35 |
| 194300-24571-X | 40 | 42 |
| 194300-25100 | 41 | 31 |
| 194300-25180 | 41 | 22 -1 |
| 194300-25190 | 41 | 23 |
| 194300-25290 | 42 | 12 |
| 194300-25820 | 42 | 31 |
| 194300-25830 | 42 | 32 |
| 194300-25890 | 42 | 33 |
| 194300-27140 | 45 | 10 |
| 194300-27240 | 45 | 18 |
| 194300-27370 | 45 | 28 |
| 194300-33200 | 50 | 40 |
| 194300-35180 | 41 | 22 |
| 194310-04250 | 30 | 8 |
| 194310-15150-X | 37 | 3 |
| | 38 | 3 |
| 194310-15170 | 37 | 4 |
| | 38 | 4 |

| Parts No. | Fig. No. | Ref. No. |
|----------------|----------|----------|
| 194310-15181 | 37 | 32 |
| | 38 | 32 |
| 194310-15320 | 37 | 12 -1 |
| | 38 | 12 -1 |
| 194310-15411 | 37 | 15 |
| | 38 | 15 |
| 194310-24520 | 40 | 36 |
| 194310-24660 | 40 | 49 |
| 194310-24770 | 41 | 37 |
| 194310-25050 | 42 | 3 |
| 194310-25350 | 42 | 46 |
| 194310-25620 | 43 | 18 |
| 194310-25630 | 43 | 5 |
| | | 19 |
| 194310-25830 | 42 | 42 |
| 194310-25840 | 42 | 43 |
| 194310-25850 | 42 | 44 |
| 194310-27140 | 45 | 11 |
| 194310-27180 | 46 | 3 |
| | | 14 |
| 194310-37560 | 44 | 16 |
| | 47 | 15 |
| 194310-43310 | 55 | 1 |
| 194310-43410 | 55 | 4 |
| 194310-44420-X | 55 | 10 |
| 194310-47870 | 57 | 17 |
| 194310-65720 | 72 | 29 |
| | 75 | 29 |
| | 76 | 29 |
| 194311-11510-X | 31 | 8 |
| 194311-11520 | 31 | 9 |
| | | 9 -1 |
| 194311-12110-X | 33 | 1 |
| 194311-12210-X | 33 | 2 |
| 194311-12310-X | 33 | 4 |
| 194311-13101 | 34 | 1 |
| 194311-13130 | 34 | 5 |
| 194311-13140 | 34 | 6 |
| 194311-13150 | 34 | 7 |
| 194311-13360 | 33 | 24 |
| 194311-13430 | 35 | 1 |
| 194311-13450-X | 34 | 27 |
| 194311-13460 | 34 | 28 |
| 194311-13470 | 34 | 29 |
| 194311-13510 | 34 | 34 |
| 194311-13511 | 34 | 34 -1 |
| 194311-13520 | 34 | 35 |
| 194311-13530 | 34 | 36 |
| 194311-13540 | 34 | 37 |
| 194311-13550 | 34 | 38 |

| Parts No. | Fig. No. | Ref. No. |
|----------------|----------|----------|
| 194311-13720 | 35 | 17 |
| 194311-13730 | 35 | 18 |
| 194311-13751-X | 35 | 19 |
| 194311-13760 | 35 | 20 |
| 194311-13771-X | 35 | 21 |
| 194311-13772-X | 35 | 21 -1 |
| 194311-13850 | 36 | 1 |
| 194311-13860 | 36 | 2 |
| 194311-13870 | 36 | 3 |
| 194311-13880 | 36 | 4 |
| 194311-13890 | 36 | 5 |
| 194311-13910 | 36 | 6 |
| 194311-13920 | 36 | 7 |
| 194311-13930 | 36 | 8 |
| 194311-13940 | 36 | 9 |
| 194311-13950 | 36 | 10 |
| 194311-13960 | 36 | 11 |
| 194311-14121 | 36 | 19 |
| 194311-14122 | 36 | 19 -1 |
| 194311-14130 | 36 | 20 |
| 194311-14161 | 36 | 21 |
| 194311-14172 | 36 | 22 |
| 194311-14180 | 36 | 23 |
| 194311-14190 | 36 | 24 |
| 194311-14700-P | 82 | 5 |
| | | 10 |
| 194311-14700-Q | 83 | 5 |
| | | 10 |
| 194311-28230 | 47 | 8 |
| 194311-28320 | 47 | 10 |
| 194312-11520 | 32 | 4 |
| | 35 | 3 |
| 194312-22520-X | 39 | 38 |
| 194312-22540 | 39 | 40 |
| 194312-24070 | 41 | 42 |
| 194312-24071 | 41 | 42 -1 |
| 194312-24090 | 41 | 43 |
| 194312-36710-X | 52 | 30 |
| 194312-36720-X | 52 | 34 |
| 194312-42150 | 54 | 6 |
| 194312-46750 | 40 | 13 |
| 194312-51210 | 58 | 15 |
| | 59 | 16 |
| | 60 | 16 |
| | 61 | 16 |
| | 62 | 16 |
| 194312-51220 | 58 | 16 |
| | 59 | 20 |
| 194312-61290 | 63 | 26 -1 |
| | 64 | 27 -1 |

Parts No. Index

| Parts No. | Fig. No. | Ref. No. |
|----------------|----------|----------|
| 194312-61290 | 65 | 74 |
| | 66 | 74 |
| 194313-13630 | 35 | 6 |
| 194313-13640 | 35 | 7 |
| 194313-13710-X | 35 | 16 |
| 194313-13790 | 35 | 23 |
| 194320-22530 | 39 | 39 |
| 194321-13230 | 48 | 8 |
| 194322-24980 | 49 | 19 |
| 194322-34180 | 51 | 2 |
| 194322-51130 | 58 | 3 |
| 194322-51140 | 58 | 4 |
| 194322-51560-U | 64 | 21 |
| | 65 | 21 |
| | 66 | 21 |
| 194322-52110 | 58 | 22 |
| | 59 | 27 |
| | 60 | 26 |
| | 61 | 26 |
| | 62 | 26 |
| 194322-61290 | 63 | 11 |
| | 64 | 12 |
| | 65 | 12 |
| | 66 | 12 |
| 194322-61430 | 63 | 75 |
| | 64 | 76 |
| | 65 | 9 |
| | 66 | 9 |
| 194322-63250 | 69 | 9 |
| | 70 | 9 |
| | 71 | 8 |
| 194322-63280 | 69 | 10 |
| | 70 | 10 |
| | 71 | 9 |
| 194322-65561 | 72 | 11 |
| | 75 | 11 |
| | 76 | 11 |
| 194322-71600-X | 77 | 5 |
| 194322-71700-X | 77 | 6 |
| 194322-82110-R | 90 | 2 |
| 194323-65561 | 72 | 12 |
| | 75 | 12 |
| | 76 | 12 |
| 194324-51131 | 59 | 3 |
| | 60 | 3 |
| | 61 | 3 |
| | 62 | 3 |
| 194324-51141 | 59 | 4 |
| | 60 | 4 |
| | 61 | 4 |

| Parts No. | Fig. No. | Ref. No. |
|----------------|----------|----------|
| 194324-51141 | 62 | 4 |
| 194324-62310 | 63 | 53 -1 |
| | 64 | 54 -1 |
| | 65 | 53 |
| | 66 | 53 |
| 194324-65560 | 73 | 11 |
| | 74 | 11 |
| 194325-65560 | 73 | 12 |
| | 74 | 12 |
| 194330-62530 | 67 | 21 |
| | 68 | 21 |
| 194340-57100 | 59 | 110 |
| | 60 | 109 |
| | 61 | 109 |
| | 62 | 109 |
| 194361-12810-Q | 84 | 3 |
| | | 7 |
| | 94 | 4 |
| | | 8 |
| 194361-12811-P | 85 | 3 |
| | | 7 |
| | 87 | 3 |
| | | 7 |
| 194361-12811-Q | 84 | 3 -1 |
| | | 7 -1 |
| | 86 | 3 |
| | | 7 |
| | 94 | 4 -1 |
| | | 8 -1 |
| 194361-12850 | 84 | 2 |
| | | 6 |
| | 85 | 2 |
| | | 6 |
| | 86 | 2 |
| | | 6 |
| | 87 | 2 |
| | | 6 |
| | 94 | 3 |
| | | 7 |
| 194361-16100-X | 38 | 41 |
| 194361-16101-X | 38 | 41 -1 |
| 194361-21400 | 39 | 12 |
| 194361-24140 | 40 | 32 |
| 194361-24290 | 40 | 17 -1 |
| 194361-26120 | 44 | 3 |
| 194361-27640 | 46 | 17 |
| 194361-33100 | 50 | 36 |
| 194361-34100-X | 51 | 1 |
| 194361-37550-X | 52 | 10 -1 |
| 194361-41120-X | 53 | 1 -1 |

| Parts No. | Fig. No. | Ref. No. |
|----------------|----------|----------|
| 194361-44420-X | 55 | 10 -1 |
| 194361-75430 | 78 | 2 |
| 194361-75720-X | 78 | 3 |
| 194362-13300-X | 33 | 20 |
| 194362-13780 | 35 | 22 |
| 194362-13810-X | 35 | 24 |
| 194362-13811-X | 35 | 24 -1 |
| 194362-13812-X | 35 | 24 -2 |
| 194362-13820-X | 35 | 25 |
| 194362-14610-X | 33 | 29 |
| 194362-14640-X | 33 | 30 |
| 194362-14650 | 33 | 31 |
| 194362-14700-P | 82 | 5 -1 |
| | | 10 -1 |
| 194362-14700-Q | 83 | 5 -1 |
| | | 10 -1 |
| 194363-51111 | 58 | 1 -1 |
| | 59 | 1 -1 |
| | 60 | 1 |
| 194370-65451 | 72 | 6 |
| | 73 | 6 |
| | 74 | 6 |
| | 75 | 6 |
| | 76 | 6 |
| 194420-01351 | 28 | 8 |
| | 29 | 8 |
| 194420-05210 | 63 | 65 |
| | 64 | 66 |
| | 65 | 64 |
| | 66 | 64 |
| 194420-15700 | 37 | 38 |
| | 38 | 38 |
| 194420-15710 | 37 | 39 |
| | 38 | 39 |
| 194420-22240 | 39 | 22 |
| 194420-22330-X | 39 | 24 |
| 194420-22470 | 39 | 30 |
| 194420-24040 | 41 | 15 |
| 194420-24101-X | 40 | 1 -1 |
| 194420-24120 | 40 | 31 |
| 194420-24170 | 41 | 9 |
| 194420-24180 | 41 | 10 |
| 194420-24270-X | 40 | 15 |
| 194420-24280 | 40 | 16 |
| 194420-24340 | 48 | 19 |
| 194420-24350-X | 49 | 31 |
| 194420-24360 | 49 | 32 |
| 194420-24371 | 49 | 33 |
| 194420-24380 | 49 | 34 |
| 194420-24410 | 41 | 19 |

| Parts No. | Fig. No. | Ref. No. |
|----------------|----------|----------|
| 194420-24420 | 41 | 20 |
| 194420-24430 | 41 | 21 |
| 194420-24810 | 41 | 44 |
| 194420-24830 | 41 | 47 |
| 194420-24850 | 41 | 49 |
| 194420-24870 | 41 | 51 |
| 194420-24880 | 41 | 52 |
| 194420-24950 | 41 | 66 |
| 194420-25160 | 42 | 8 |
| 194420-25360 | 42 | 47 |
| 194420-25860 | 48 | 2 |
| 194420-26650 | 51 | 6 |
| 194420-27160 | 46 | 2 |
| 194420-27360 | 46 | 5 |
| 194420-31820 | 34 | 19 |
| 194420-32350 | 48 | 22 |
| 194420-32360 | 48 | 23 |
| 194420-32370 | 48 | 24 |
| 194420-32620 | 50 | 5 |
| 194420-34310-X | 50 | 8 |
| 194420-34340 | 50 | 9 |
| 194420-36300-X | 52 | 25 |
| 194420-36320 | 52 | 26 |
| 194420-36510 | 52 | 27 |
| 194420-36570 | 52 | 29 |
| 194420-37510 | 52 | 9 |
| 194420-37550-X | 52 | 10 |
| 194420-37670 | 52 | 14 |
| 194420-37770 | 52 | 18 |
| 194420-47370 | 57 | 5 |
| 194420-52120 | 58 | 24 -1 |
| 194420-58820 | 58 | 12 |
| | 59 | 13 |
| | 60 | 13 |
| | 61 | 13 |
| | 62 | 13 |
| 194420-61250-P | 64 | 11 |
| 194420-61250-Q | 63 | 10 |
| 194420-61640 | 63 | 16 |
| | | 17 |
| | | 50 |
| | 64 | 17 |
| | | 18 |
| | | 51 |
| | 65 | 17 |
| | | 50 |
| | 66 | 17 |
| | | 50 |
| 194420-65590 | 72 | 15 |
| | 73 | 15 |

Parts No. Index

| Parts No. | Fig. No. | Ref. No. |
|----------------|----------|----------|
| 194420-65590 | 74 | 15 |
| | 75 | 15 |
| | 76 | 15 |
| 194420-74800-U | 77 | 34 |
| 194421-28211 | 47 | 6 |
| 194421-28310 | 47 | 9 |
| 194422-61371-P | 64 | 14 |
| 194422-61371-Q | 63 | 13 |
| 194430-01510 | 28 | 22 |
| | 29 | 22 |
| 194430-21101-X | 39 | 1 |
| 194430-21102-X | 39 | 1 -1 |
| 194430-22110 | 39 | 16 |
| 194430-22510 | 39 | 37 |
| 194430-22550-X | 39 | 41 |
| 194430-24150-X | 41 | 1 |
| 194430-24151-X | 41 | 1 -1 |
| 194430-24190 | 41 | 11 |
| 194430-24840 | 41 | 48 |
| 194430-24860 | 41 | 50 |
| 194430-24900 | 41 | 53 |
| 194430-24910 | 41 | 54 |
| 194430-24930 | 49 | 16 |
| 194430-25130 | 42 | 5 |
| 194430-25131 | 42 | 5 -1 |
| 194430-25140 | 42 | 6 |
| 194430-25141 | 42 | 6 -1 |
| 194430-25150 | 42 | 7 |
| 194430-25151 | 42 | 7 -1 |
| 194430-25160 | 42 | 9 |
| 194430-25161 | 42 | 9 -1 |
| 194430-25350 | 42 | 20 |
| 194430-25351 | 42 | 20 -1 |
| 194430-25360 | 42 | 21 |
| 194430-25361 | 42 | 21 -1 |
| 194430-25370 | 42 | 22 |
| 194430-25371 | 42 | 22 -1 |
| 194430-25380 | 42 | 23 |
| 194430-25381 | 42 | 23 -1 |
| 194430-25390 | 43 | 2 |
| | | 15 |
| 194430-25400 | 42 | 24 |
| 194430-25450 | 42 | 27 |
| 194430-25460 | 42 | 28 |
| | 47 | 2 |
| 194430-25510 | 42 | 29 |
| | 43 | 1 |
| 194430-25520 | 43 | 3 |
| 194430-25530 | 42 | 30 |
| | 43 | 14 |

| Parts No. | Fig. No. | Ref. No. |
|----------------|----------|----------|
| 194430-25540 | 43 | 16 |
| 194430-25550 | 43 | 4 |
| | | 17 |
| 194430-25700 | 42 | 13 |
| 194430-25770 | 43 | 6 |
| | | 20 |
| 194430-25780 | 43 | 7 |
| | | 21 |
| 194430-25790 | 43 | 8 |
| | | 22 |
| 194430-25810 | 48 | 1 |
| 194430-25830-X | 49 | 20 |
| 194430-25910 | 42 | 48 |
| 194430-25920 | 42 | 49 |
| 194430-25921 | 42 | 49 -1 |
| 194430-25930 | 42 | 50 |
| 194430-25940 | 42 | 51 |
| 194430-25950 | 42 | 52 |
| 194430-27570 | 46 | 16 |
| 194430-27571 | 46 | 16 -1 |
| 194430-31490 | 48 | 6 |
| | | 14 |
| 194430-31510 | 48 | 9 |
| 194430-31610 | 48 | 10 |
| 194430-31820 | 48 | 11 |
| 194430-31850 | 48 | 12 |
| 194430-32100 | 48 | 13 |
| 194430-32101 | 48 | 13 -1 |
| 194430-32300-X | 48 | 20 |
| 194430-32310-X | 48 | 21 |
| 194430-33140 | 50 | 37 |
| 194430-33400 | 51 | 7 |
| 194430-33410 | 51 | 8 |
| 194430-33500 | 51 | 11 |
| 194430-61500 | 65 | 43 |
| | 66 | 43 |
| 194430-61500-P | 64 | 44 |
| 194430-61500-R | 63 | 43 |
| 194430-74710-U | 77 | 33 |
| 194431-13600-X | 35 | 2 |
| 194431-13620-X | 35 | 5 |
| 194432-01110 | 28 | 2 |
| | | 29 |
| | | 2 |
| 194432-01320 | 28 | 7 |
| | | 29 |
| | | 7 |
| 194432-01440-U | 28 | 18 |
| 194432-01441 | 28 | 18 -1 |
| | | 29 |
| | | 18 |
| 194432-04110 | 30 | 1 |
| 194432-04111 | 30 | 1 -1 |

| Parts No. | Fig. No. | Ref. No. |
|----------------|----------|----------|
| 194432-04112 | 30 | 1 -2 |
| 194432-11110-X | 31 | 1 |
| 194432-11111-X | 31 | 1 -1 |
| 194432-11112-X | 31 | 1 -2 |
| 194432-11130-X | 31 | 2 |
| 194432-11140 | 31 | 3 |
| 194432-11210-X | 32 | 1 |
| 194432-11300-X | 32 | 5 |
| 194432-11400-X | 32 | 10 |
| 194432-12310-X | 32 | 43 |
| 194432-12340-X | 32 | 46 |
| 194432-12350-X | 32 | 47 |
| 194432-12900-P | 80 | 1 |
| 194432-12900-Q | 81 | 1 |
| 194432-14110-X | 32 | 39 |
| 194432-16100-X | 37 | 41 |
| 194432-22410-X | 39 | 27 |
| 194432-22411-X | 39 | 27 -1 |
| 194432-24100-X | 40 | 1 |
| 194432-24101-X | 40 | 1 -2 |
| 194432-24130 | 40 | 7 |
| 194432-24140 | 40 | 10 |
| 194432-24150 | 40 | 11 |
| 194432-24300-X | 49 | 2 |
| 194432-24301-X | 49 | 2 -1 |
| 194432-25120 | 42 | 4 |
| 194432-25170 | 42 | 10 |
| 194432-25210 | 42 | 11 |
| 194432-25510 | 42 | 29 -1 |
| | 43 | 1 -1 |
| 194432-25520 | 43 | 3 -1 |
| 194432-25530 | 42 | 30 -1 |
| | 43 | 14 -1 |
| 194432-25540 | 43 | 16 -1 |
| 194432-25960 | 42 | 45 |
| 194432-25990 | 44 | 1 |
| 194432-26110 | 44 | 2 |
| 194432-26500 | 44 | 8 |
| 194432-26550 | 44 | 9 |
| 194432-26560 | 44 | 10 |
| 194432-26670 | 44 | 11 |
| 194432-27110-X | 46 | 1 |
| 194432-27201 | 45 | 54 |
| 194432-27270-X | 45 | 20 |
| 194432-27350-X | 46 | 4 |
| 194432-27380 | 58 | 102 |
| | 59 | 118 |
| | 60 | 117 |
| | 61 | 117 |
| | 62 | 117 |

| Parts No. | Fig. No. | Ref. No. |
|----------------|----------|----------|
| 194432-27560-X | 46 | 15 |
| 194432-27660 | 46 | 18 |
| 194432-31300 | 48 | 3 |
| 194432-31301 | 48 | 3 -1 |
| 194432-32600-X | 50 | 3 |
| 194432-32610-X | 50 | 4 |
| 194432-32820-X | 50 | 6 |
| 194432-32830-X | 50 | 7 |
| 194432-32850 | 50 | 20 |
| 194432-33160-X | 50 | 39 |
| 194432-34310-X | 50 | 35 |
| 194432-34320-X | 50 | 34 |
| 194432-34700-P | 80 | 6 |
| 194432-34700-Q | 81 | 6 |
| 194432-34800-P | 80 | 16 |
| 194432-34800-Q | 81 | 16 |
| 194432-34900 | 80 | 7 |
| | | 17 |
| | 81 | 7 |
| | | 17 |
| 194432-34910 | 80 | 8 |
| | | 18 |
| | 81 | 8 |
| | | 18 |
| 194432-34920 | 80 | 9 |
| | | 19 |
| | 81 | 9 |
| | | 19 |
| 194432-37420-X | 52 | 3 |
| 194432-37421-X | 52 | 3 -1 |
| 194432-37470-X | 52 | 8 |
| 194432-37471-X | 52 | 8 -1 |
| 194432-37540-R | 52 | 5 |
| 194432-37670 | 52 | 14 -1 |
| 194432-41120-X | 53 | 1 |
| 194432-41150 | 53 | 2 |
| 194432-41210 | 53 | 8 |
| 194432-42100-X | 54 | 1 |
| 194432-44510 | 55 | 12 |
| 194432-47120 | 57 | 3 |
| 194432-47121 | 57 | 3 -1 |
| 194432-47390 | 57 | 6 |
| 194432-47530-X | 57 | 12 |
| 194432-47540-X | 57 | 13 |
| 194432-47610-X | 57 | 14 |
| 194432-47710-X | 57 | 15 |
| 194432-48110-X | 53 | 16 |
| 194432-48220-X | 53 | 19 |
| 194432-48240-X | 53 | 22 |
| 194432-48250-X | 53 | 23 |

Parts No. Index

| Parts No. | Fig. No. | Ref. No. |
|----------------|----------|----------|
| 194432-48380-X | 53 | 51 |
| 194432-51110 | 58 | 1 |
| 194432-51120 | 58 | 2 |
| 194432-51310 | 58 | 19 |
| | 59 | 23 |
| | 60 | 23 |
| | 61 | 23 |
| | 62 | 23 |
| 194432-51550 | 60 | 25 |
| | 61 | 25 |
| | 62 | 25 |
| 194432-51550-X | 58 | 21 |
| | 59 | 26 |
| 194432-52220-X | 58 | 30 |
| | 59 | 37 |
| | 60 | 36 |
| | 61 | 36 |
| | 62 | 36 |
| 194432-52240-X | 58 | 32 |
| | 59 | 39 |
| 194432-52241 | 58 | 32 -1 |
| | 59 | 39 -1 |
| | 60 | 38 |
| | 61 | 38 |
| | 62 | 38 |
| 194432-56100 | 58 | 73 |
| | 59 | 89 |
| | 60 | 88 |
| | 61 | 88 |
| | 62 | 88 |
| 194432-56130 | 58 | 87 |
| | 59 | 103 |
| | 60 | 102 |
| | 61 | 102 |
| | 62 | 102 |
| 194432-56150 | 58 | 75 |
| | 59 | 91 |
| | 60 | 90 |
| | 61 | 90 |
| | 62 | 90 |
| 194432-56170 | 58 | 76 |
| | 59 | 92 |
| | 60 | 91 |
| | 61 | 91 |
| | 62 | 91 |
| 194432-61100-P | 64 | 8 |
| 194432-61100-R | 63 | 7 |
| 194432-61480 | 63 | 15 -1 |
| | 64 | 16 |
| | 65 | 16 |

| Parts No. | Fig. No. | Ref. No. |
|----------------|----------|----------|
| 194432-61480 | 66 | 16 |
| 194432-61570 | 63 | 47 |
| | 64 | 48 |
| | 65 | 47 |
| | 66 | 47 |
| 194432-61600 | 58 | 80 |
| | 59 | 96 |
| | 60 | 95 |
| | 61 | 95 |
| | 62 | 95 |
| 194432-61610 | 58 | 88 |
| | 59 | 104 |
| | 60 | 103 |
| | 61 | 103 |
| | 62 | 103 |
| 194432-61660-X | 63 | 52 |
| | 64 | 53 |
| | 65 | 52 |
| | 66 | 52 |
| 194432-61670-X | 63 | 69 |
| | 64 | 70 |
| | 65 | 68 |
| | 66 | 68 |
| 194432-61700-X | 63 | 19 |
| 194432-61830 | 63 | 24 |
| | 64 | 25 |
| 194432-61940 | 63 | 28 |
| | | 28 -1 |
| | 64 | 29 |
| | 65 | 28 |
| | 66 | 28 |
| 194432-61950 | 63 | 74 |
| | 64 | 75 |
| | 65 | 73 |
| | 66 | 73 |
| 194432-62150 | 67 | 5 |
| 194432-62200-R | 67 | 6 |
| | 68 | 6 |
| 194432-62210-R | 67 | 7 |
| | 68 | 7 |
| 194432-62230 | 67 | 8 |
| | 68 | 8 |
| 194432-62510-X | 67 | 20 |
| | 68 | 20 |
| 194432-62511-X | 67 | 20 -1 |
| | 68 | 20 -1 |
| 194432-62530-X | 67 | 22 |
| | 68 | 22 |
| 194432-62531-X | 67 | 22 -1 |
| | 68 | 22 -1 |

| Parts No. | Fig. No. | Ref. No. |
|----------------|----------|----------|
| 194432-62550-X | 67 | 23 |
| | 68 | 23 |
| 194432-62551-X | 67 | 23 -1 |
| | 68 | 23 -1 |
| 194432-62560 | 67 | 33 |
| | | 33 -1 |
| | 68 | 38 |
| 194432-63210-X | 69 | 4 |
| | 70 | 4 |
| | 71 | 3 |
| 194432-65590 | 72 | 16 |
| | 73 | 16 |
| | 74 | 16 |
| | 75 | 16 |
| | 76 | 16 |
| 194432-65720 | 72 | 25 |
| | 73 | 26 |
| 194432-65721 | 72 | 25 -1 |
| | 73 | 26 -1 |
| | 74 | 26 |
| | 75 | 25 |
| | 76 | 25 |
| 194432-72300-X | 77 | 23 |
| 194432-72400-X | 77 | 15 |
| 194432-73410-X | 77 | 28 |
| 194432-74720 | 77 | 33 -1 |
| 194432-74810-X | 50 | 27 |
| 194432-74830-X | 50 | 28 |
| 194433-28110-X | 47 | 3 |
| 194433-28150 | 47 | 4 |
| 194433-28160 | 47 | 5 |
| 194433-28220 | 47 | 7 |
| 194433-28280 | 47 | 37 |
| 194433-28330-X | 47 | 11 |
| 194433-34700-P | 82 | 11 |
| 194433-34700-Q | 83 | 11 |
| 194433-34800-P | 82 | 21 |
| 194433-34800-Q | 83 | 21 |
| 194433-34900 | 82 | 12 |
| | | 22 |
| | 83 | 12 |
| | | 22 |
| 194433-34910 | 82 | 13 |
| | | 23 |
| | 83 | 13 |
| | | 23 |
| 194433-34920 | 82 | 14 |
| | | 24 |
| | 83 | 14 |
| | | 24 |

| Parts No. | Fig. No. | Ref. No. |
|----------------|----------|----------|
| 194433-65720 | 72 | 26 |
| | 73 | 27 |
| 194433-65721 | 72 | 26 -1 |
| | 73 | 27 -1 |
| | 74 | 27 |
| | 75 | 26 |
| | 76 | 26 |
| 194436-05110-R | 65 | 62 |
| | 66 | 62 |
| 194436-05150 | 65 | 75 |
| 194436-05210 | 65 | 76 |
| 194436-51110 | 59 | 1 |
| 194436-51120 | 59 | 2 |
| | 60 | 2 |
| | 61 | 2 |
| | 62 | 2 |
| 194436-51140 | 61 | 1 |
| | 62 | 1 |
| 194436-51160 | 59 | 6 |
| | 60 | 6 |
| | 61 | 6 |
| | 62 | 6 |
| 194436-51700-X | 59 | 17 |
| | 60 | 17 |
| | 61 | 17 |
| | 62 | 17 |
| 194436-53100 | 60 | 49 |
| | 61 | 49 |
| 194436-53110 | 60 | 53 |
| | 61 | 53 |
| 194436-53120 | 60 | 50 |
| | 61 | 50 |
| 194436-53130 | 60 | 52 |
| | 61 | 52 |
| 194436-53140 | 60 | 54 |
| | 61 | 54 |
| 194436-53150 | 60 | 55 |
| | 61 | 55 |
| 194436-53160 | 60 | 51 |
| | 61 | 51 |
| 194436-53600 | 60 | 56 |
| | 61 | 56 |
| 194436-53610 | 60 | 60 |
| | | 70 |
| | 61 | 60 |
| | | 70 |
| 194436-53620 | 60 | 61 |
| | | 71 |
| | 61 | 61 |
| | | 71 |

Parts No. Index

| Parts No. | Fig. No. | Ref. No. |
|----------------|----------|----------|
| 194436-53630 | 60 | 59 |
| | 61 | 59 |
| 194436-53640 | 60 | 58 |
| | | 68 |
| | 61 | 58 |
| | | 68 |
| 194436-53650 | 60 | 57 |
| | | 67 |
| | | 86 |
| | 61 | 57 |
| | | 67 |
| | | 86 |
| 194436-53660 | 60 | 63 |
| | | 73 |
| | 61 | 63 |
| | | 73 |
| 194436-53670 | 60 | 64 |
| | | 74 |
| | 61 | 64 |
| | | 74 |
| 194436-53700 | 60 | 66 |
| | 61 | 66 |
| 194436-53710 | 60 | 69 |
| | 61 | 69 |
| 194436-53800 | 60 | 76 |
| | 61 | 76 |
| 194436-53810 | 60 | 79 |
| | 61 | 79 |
| 194436-53820 | 60 | 82 |
| | 61 | 82 |
| 194436-53830 | 60 | 83 |
| | 61 | 83 |
| 194436-53840 | 60 | 78 |
| | 61 | 78 |
| 194436-53850 | 60 | 77 |
| | 61 | 77 |
| 194436-53860 | 60 | 80 |
| | 61 | 80 |
| 194436-61100 | 65 | 8 |
| | 66 | 8 |
| 194436-61100-P | 64 | 8 -1 |
| 194436-61700-X | 64 | 20 |
| | 65 | 20 |
| | 66 | 20 |
| 194436-64200 | 68 | 11 |
| 194436-64510 | 60 | 121 |
| | 61 | 119 |
| | 62 | 120 |
| | 70 | 18 |
| 194440-01550 | 28 | 23 |

| Parts No. | Fig. No. | Ref. No. |
|----------------|----------|----------|
| 194440-01550 | 29 | 23 |
| 194440-15340 | 37 | 13 |
| | 38 | 13 |
| 194440-15341 | 37 | 13 -1 |
| | 38 | 13 -1 |
| 194440-15870 | 37 | 40 |
| | 38 | 40 |
| 194440-22441 | 39 | 28 |
| 194440-25810 | 43 | 9 |
| | | 23 |
| 194440-29580 | 45 | 29 |
| 194440-48210-X | 53 | 17 |
| 194440-48230 | 53 | 21 |
| 194440-48830 | 53 | 25 |
| 194440-48840 | 53 | 26 |
| 194440-51150 | 58 | 5 |
| 194440-51630 | 58 | 10 |
| | 59 | 11 |
| | 60 | 11 |
| | 61 | 11 |
| | 62 | 11 |
| 194440-52120 | 58 | 24 |
| 194440-52190 | 58 | 28 |
| | 59 | 35 |
| 194440-52191 | 58 | 28 -1 |
| | 59 | 35 -1 |
| | 60 | 34 |
| | 61 | 34 |
| | 62 | 34 |
| 194440-52400 | 58 | 35 |
| 194440-52420 | 58 | 36 A |
| 194440-61220 | 63 | 8 |
| | | 42 |
| | 64 | 9 |
| | | 43 |
| | 65 | 42 |
| | 66 | 42 |
| 194440-61320 | 65 | 13 |
| | 66 | 13 |
| 194440-61320-X | 63 | 12 |
| | 64 | 13 |
| 194440-61550 | 63 | 44 |
| | 64 | 45 |
| | 65 | 44 |
| | 66 | 44 |
| 194440-61820 | 63 | 23 |
| | 64 | 24 |
| | 65 | 24 |
| | 66 | 24 |
| 194440-61831 | 63 | 24 -1 |

| Parts No. | Fig. No. | Ref. No. |
|----------------|----------|----------|
| 194440-61831 | 64 | 25 -1 |
| | 65 | 25 |
| | 66 | 25 |
| 194446-05110-P | 64 | 64 |
| 194446-05110-R | 63 | 63 |
| 194446-05121-P | 64 | 65 |
| 194446-05121-R | 63 | 64 |
| | 65 | 63 |
| | 66 | 63 |
| 194446-05220 | 63 | 66 |
| | 64 | 67 |
| | 65 | 65 |
| | 66 | 65 |
| 194446-24500-X | 40 | 34 |
| 194446-24540 | 40 | 37 |
| 194446-24550 | 40 | 38 |
| 194446-24560 | 40 | 39 |
| 194446-24561 | 40 | 39 -1 |
| 194446-24580 | 40 | 43 |
| 194446-24610 | 40 | 44 |
| 194446-24620 | 40 | 45 |
| 194446-24630 | 40 | 46 |
| 194446-48230-X | 53 | 23 -1 |
| 194446-51160 | 58 | 6 |
| | 59 | 7 |
| | 60 | 7 |
| | 61 | 7 |
| | 62 | 7 |
| 194446-52230-X | 58 | 31 |
| | 59 | 38 |
| | 60 | 37 |
| | 61 | 37 |
| | 62 | 37 |
| 194446-61310 | 65 | 14 |
| | 66 | 14 |
| 194446-61310-P | 64 | 14 -1 |
| 194446-61310-Q | 63 | 13 -1 |
| 194446-61580 | 63 | 48 |
| | 64 | 49 |
| | 65 | 48 |
| | 66 | 48 |
| 194446-61621-P | 64 | 50 |
| 194446-61621-R | 63 | 49 |
| | 65 | 49 |
| | 66 | 49 |
| 194446-61910 | 63 | 25 -1 |
| 194446-61920 | 63 | 26 |
| | 64 | 27 |
| 194446-61930 | 63 | 27 |
| | 64 | 28 |

| Parts No. | Fig. No. | Ref. No. |
|----------------|----------|----------|
| 194446-61930 | 65 | 27 |
| | 66 | 27 |
| 194446-61950 | 63 | 29 |
| | 64 | 30 |
| | 65 | 29 |
| | 66 | 29 |
| 194446-62310 | 63 | 53 |
| | 64 | 54 |
| 194446-64751 | 72 | 1 |
| | 73 | 1 |
| 194446-64752 | 72 | 1 -1 |
| | 73 | 1 -1 |
| | 74 | 1 |
| | 75 | 1 |
| | 76 | 1 |
| 194446-65351 | 72 | 2 |
| 194446-65352 | 72 | 2 -1 |
| | 75 | 2 |
| | 76 | 2 |
| 194446-65361 | 72 | 3 |
| | 75 | 3 |
| | 76 | 3 |
| 194446-65461 | 72 | 7 |
| | 75 | 7 |
| | 76 | 7 |
| 194446-65630 | 72 | 20 |
| | 75 | 20 |
| | 76 | 20 |
| 194446-65681 | 72 | 23 |
| | 75 | 23 |
| | 76 | 23 |
| 194446-65730 | 88 | 2 |
| 194446-65731 | 88 | 2 -1 |
| 194446-83110-X | 88 | 3 |
| 194446-83120 | 88 | 4 |
| 194446-83130 | 88 | 5 |
| 194446-83140 | 88 | 6 |
| 194446-83150 | 88 | 7 |
| 194446-83160 | 88 | 8 |
| 194446-83170 | 88 | 9 |
| 194446-83180 | 88 | 10 |
| 194446-83210-X | 88 | 11 |
| 194446-83220-X | 88 | 12 |
| 194446-83240 | 88 | 13 |
| 194446-83250-X | 88 | 14 |
| 194446-83260 | 88 | 15 |
| 194446-83310 | 88 | 16 |
| 194447-14140 | 50 | 1 |
| 194447-14180 | 50 | 2 |
| 194447-65621 | 72 | 41 |

Parts No. Index

| Parts No. | Fig. No. | Ref. No. |
|----------------|----------|----------|
| 194447-65621 | 73 | 20 |
| | 74 | 20 |
| | 75 | 41 |
| | 76 | 41 |
| 194448-51151 | 59 | 5 |
| | 60 | 5 |
| | 61 | 5 |
| | 62 | 5 |
| 194448-53350 | 64 | 5 |
| | 65 | 5 |
| | 66 | 5 |
| 194448-53360 | 64 | 6 |
| | 65 | 6 |
| | 66 | 6 |
| 194448-58810 | 59 | 30 |
| 194448-58811 | 59 | 30 -1 |
| | 60 | 29 |
| | 61 | 29 |
| | 62 | 29 |
| 194448-61250 | 65 | 11 |
| | 66 | 11 |
| 194448-61250-P | 64 | 11 -1 |
| 194448-61620 | 67 | 34 |
| | 68 | 41 |
| 194448-61910 | 63 | 25 |
| | 64 | 26 |
| | 65 | 26 |
| | 66 | 26 |
| 194448-63110-X | 71 | 1 |
| 194448-63120-X | 70 | 3 |
| | 71 | 2 |
| 194448-65350 | 73 | 2 |
| | 74 | 2 |
| 194448-65360 | 73 | 3 |
| | 74 | 3 |
| 194448-65460 | 73 | 7 |
| | 74 | 7 |
| 194448-65600 | 72 | 17 |
| | 73 | 17 |
| | 74 | 17 |
| | 75 | 17 |
| | 76 | 17 |
| 194448-65620 | 73 | 25 -1 |
| | 74 | 25 |
| 194448-65630 | 73 | 21 |
| | 74 | 21 |
| 194448-65660 | 73 | 22 |
| | 74 | 22 |
| 194448-65680 | 73 | 24 |
| | 74 | 24 |

| Parts No. | Fig. No. | Ref. No. |
|----------------|----------|----------|
| 194450-11190 | 49 | 1 |
| 194450-21150 | 39 | 5 |
| 194450-21151 | 39 | 5 -1 |
| 194464-01190 | 28 | 4 |
| | 29 | 4 |
| | 45 | 1 |
| 194464-11340 | 32 | 7 |
| | | 11 |
| 194464-15450 | 37 | 21 |
| | 38 | 21 |
| 194464-16130-U | 37 | 46 |
| 194464-45920 | 40 | 27 |
| | 54 | 17 |
| | | 18 |
| 194464-45930 | 40 | 28 |
| | 54 | 19 |
| | | 20 |
| 194464-47440 | 57 | 9 |
| 194464-48210 | 53 | 18 |
| 194464-48220 | 53 | 20 |
| 194464-48300-X | 53 | 39 |
| 194464-48310-M | 53 | 50 |
| 194464-48322 | 53 | 40 |
| 194464-48331 | 53 | 41 |
| 194464-48341 | 53 | 42 |
| 194464-48351 | 53 | 43 |
| 194464-48361 | 53 | 44 |
| 194464-48370 | 53 | 45 |
| 194464-48390 | 53 | 46 |
| 194464-57250 | 58 | 98 |
| | 59 | 114 |
| | 60 | 113 |
| | 61 | 113 |
| | 62 | 113 |
| 194464-61480 | 63 | 15 |
| 194491-14190 | 36 | 28 -1 |
| 194500-27150 | 45 | 31 |
| 194500-65470 | 73 | 28 |
| | 74 | 28 |
| 194550-51220 | 58 | 16 -1 |
| | 59 | 20 -1 |
| | 60 | 20 |
| | 61 | 20 |
| | 62 | 20 |
| 194555-34190 | 80 | 15 -1 |
| | | 25 -1 |
| | 81 | 15 -1 |
| | | 25 -1 |
| | 82 | 20 -1 |
| | | 30 -1 |

| Parts No. | Fig. No. | Ref. No. |
|----------------|----------|----------|
| 194555-34190 | 83 | 20 -1 |
| | | 30 -1 |
| 194555-34210 | 80 | 14 -1 |
| | | 24 -1 |
| | 81 | 14 -1 |
| | | 24 -1 |
| | 82 | 19 -1 |
| | | 29 -1 |
| | 83 | 19 -1 |
| | | 29 -1 |
| 194555-34850 | 80 | 13 -1 |
| | | 23 -1 |
| | 81 | 13 -1 |
| | | 23 -1 |
| | 82 | 18 -1 |
| | | 28 -1 |
| | 83 | 18 -1 |
| | | 28 -1 |
| 194555-77910 | 40 | 14 -1 |
| 194640-13340 | 33 | 25 -1 |
| 194730-57120 | 32 | 50 -1 |
| 194730-57120-X | 33 | 7 -1 |
| | 37 | 49 -1 |
| 194730-57130 | 32 | 56 -1 |
| 194730-57130-X | 33 | 13 -1 |
| 194730-57220 | 32 | 52 |
| | | 58 |
| | 33 | 9 |
| | | 15 |
| | 37 | 42 |
| | | 51 |
| | 38 | 43 |
| 194730-57241 | 32 | 53 |
| | | 59 |
| | 33 | 10 |
| | | 16 |
| | 37 | 43 |
| | | 52 |
| | 38 | 44 |
| 194740-00160 | 28 | 1 |
| | 29 | 1 |
| 194740-06080 | 40 | 3 |
| 194740-10850 | 34 | 15 |
| 194740-10870 | 34 | 16 |
| 194740-10880 | 34 | 17 |
| 194740-55620 | 37 | 25 |
| | 38 | 25 |
| 194740-70270-P | 68 | 10 |
| 194740-70270-R | 67 | 10 |
| 194740-76200 | 67 | 11 |

| Parts No. | Fig. No. | Ref. No. |
|--------------|----------|----------|
| 194750-04400 | 28 | 10 |
| | 29 | 10 |
| 194750-15250 | 37 | 6 |
| | 38 | 6 |
| 194750-15260 | 37 | 7 |
| | 38 | 7 |
| 194750-15270 | 37 | 8 |
| | 38 | 8 |
| 194750-15280 | 37 | 9 |
| | 38 | 9 |
| 194750-15290 | 37 | 10 |
| | 38 | 10 |
| 194750-15520 | 37 | 24 |
| | 38 | 24 |
| 194800-65350 | 72 | 42 |
| | 73 | 42 |
| | 74 | 41 |
| | 75 | 42 |
| | 76 | 42 |
| 194990-20170 | 45 | 2 |
| 194990-22030 | 67 | 12 |
| | 68 | 12 -1 |
| 194990-22040 | 58 | 93 |
| | 59 | 109 |
| | 60 | 108 |
| | 61 | 108 |
| | 62 | 108 |
| 194990-22050 | 2 | 8 -1 |
| | | 45 A |
| | 7 | 27 |
| | 58 | 18 |
| | | 41 |
| | 59 | 22 |
| | 60 | 22 |
| | 61 | 22 |
| | | 122 |
| | 62 | 22 |
| | 63 | 38 |
| | 64 | 39 |
| | 65 | 38 |
| | 66 | 38 |
| 194990-22120 | 58 | 92 |
| | 59 | 108 |
| | 60 | 107 |
| | 61 | 107 |
| | 62 | 107 |
| | 72 | 30 |
| | 73 | 30 |
| | 74 | 30 |
| | 75 | 30 |

Parts No. Index

| Parts No. | Fig. No. | Ref. No. |
|----------------|----------|----------|
| 194990-22120 | 76 | 30 |
| 194990-22130 | 45 | 3 |
| | 60 | 120 |
| | 61 | 134 |
| | 62 | 119 |
| | 63 | 2 |
| | 64 | 2 |
| | 65 | 2 |
| | 66 | 2 |
| | 67 | 1 |
| | 68 | 1 |
| | | 12 |
| | | 32 |
| | 69 | 1 |
| | 70 | 1 |
| 194990-22140 | 45 | 4 |
| | 63 | 3 |
| | | 39 |
| | 64 | 3 |
| | | 40 |
| | 65 | 3 |
| | | 39 |
| | 66 | 3 |
| | | 39 |
| | 67 | 2 |
| | | 19 |
| | 68 | 2 |
| | | 19 |
| 194990-22830 | 32 | 48 |
| | 33 | 5 |
| | 37 | 47 |
| 194990-22840 | 32 | 49 |
| | 33 | 6 |
| | 37 | 48 |
| 194990-42710 | 39 | 21 |
| 194990-52600 | 44 | 23 |
| 194990-57740 | 32 | 29 |
| 194990-85561 | 46 | 7 |
| 195040-13320 | 44 | 7 |
| 195080-15060 | 77 | 10 |
| 198220-01261 | 28 | 5 -1 |
| | 29 | 5 -1 |
| 198220-48750 | 53 | 24 -1 |
| 198341-14750-P | 82 | 1 -1 |
| 198341-14750-Q | 83 | 1 -1 |
| 198341-14850-P | 82 | 6 -1 |
| 198341-14850-Q | 83 | 6 -1 |
| 198421-45440 | 56 | 6 -1 |
| 1A1030-12200 | 32 | 28 |
| 1A1040-28820 | 47 | 14 |

| Parts No. | Fig. No. | Ref. No. |
|--------------|----------|----------|
| 1C6053-26020 | 45 | 5 |
| | 68 | 5 |
| 1C6140-14050 | 42 | 1 |
| 1C6140-15870 | 42 | 2 |
| 1E6190-54080 | 47 | 16 |
| 1E6190-54480 | 43 | 10 |
| | | 24 |
| 1E6190-55120 | 41 | 24 |
| 1E6190-55660 | 41 | 38 |
| 1E6190-55710 | 41 | 39 |
| 1E6191-54330 | 54 | 48 |
| 22117-050000 | 6 | 17 |
| | 17 | 40 -1 |
| | 22 | 18 |
| 22117-060000 | 2 | 16 |
| | 12 | 5 |
| | 14 | 12 |
| | 15 | 17 |
| | 41 | 40 |
| 22117-080000 | 1 | 34 |
| | 2 | 33 |
| | | 47 |
| | 5 | 19 |
| | 6 | 28 |
| | 14 | 18 |
| | | 25 |
| | | 25 -1 |
| | 16 | 18 |
| | 19 | 17 |
| | 22 | 19 |
| | 57 | 18 |
| | | 19 |
| 22117-100000 | 2 | 11 |
| | 8 | 9 |
| | 57 | 20 |
| | | 21 |
| | 88 | 17 |
| 22117-120000 | 47 | 17 |
| 22127-140000 | 55 | 14 |
| 22127-160000 | 55 | 14 -1 |
| 22137-040000 | 45 | 32 |
| 22137-050000 | 17 | 40 |
| | 45 | 33 |
| | 57 | 22 |
| | 63 | 72 |
| | 64 | 73 |
| | 65 | 71 |
| | 66 | 71 |
| 22137-060000 | 28 | 19 |
| | 29 | 19 |

| Parts No. | Fig. No. | Ref. No. |
|--------------|----------|----------|
| 22137-060000 | 42 | 53 |
| | 68 | 35 |
| 22137-080000 | 21 | 24 |
| | 22 | 9 |
| | | 20 |
| | 28 | 11 |
| | 29 | 11 |
| | 33 | 32 |
| | 39 | 7 |
| | | 42 |
| | 49 | 37 |
| | 53 | 27 |
| | 57 | 23 |
| | 63 | 37 |
| | | 55 |
| | 64 | 38 |
| | | 56 |
| | 65 | 37 |
| | | 37 -1 |
| | 66 | 37 |
| | 67 | 24 |
| | | 32 |
| | | 32 -1 |
| | 68 | 24 |
| | | 39 |
| | 69 | 11 |
| | 70 | 11 |
| | 71 | 10 |
| 22137-100000 | 5 | 28 |
| | 28 | 12 |
| | 29 | 12 |
| | 39 | 33 |
| | 58 | 57 |
| | | 57 -1 |
| | 67 | 26 |
| | | 26 -1 |
| | 68 | 26 |
| 22137-120000 | 57 | 24 |
| | 79 | 4 |
| 22137-140000 | 45 | 31 -1 |
| 22137-160000 | 36 | 12 |
| | 55 | 14 -2 |
| 22157-060000 | 63 | 30 |
| | | 67 |
| | | 67 |
| | 64 | 31 |
| | | 68 |
| | 65 | 30 |
| | | 66 |
| | 66 | 30 |
| | | 66 |

| Parts No. | Fig. No. | Ref. No. |
|--------------|----------|----------|
| 22157-100000 | 28 | 13 |
| | 29 | 13 |
| 22217-040000 | 2 | 26 |
| | 25 | 15 |
| | | 20 |
| | | 58 |
| | | 77 |
| | | 59 |
| | | 93 |
| | | 60 |
| | | 92 |
| | | 61 |
| | | 92 |
| | | 62 |
| | | 92 |
| 22217-050000 | 17 | 41 |
| | 22 | 21 |
| | 57 | 25 |
| | 60 | 85 |
| | 61 | 85 |
| 22217-060000 | 1 | 28 |
| | 2 | 22 |
| | 14 | 13 |
| | 32 | 36 |
| | 40 | 50 |
| | 49 | 23 |
| | 68 | 36 |
| | 88 | 18 |
| 22217-080000 | 1 | 35 |
| | 2 | 9 |
| | | 46 |
| | 3 | 7 |
| | 5 | 27 |
| | 7 | 29 |
| | 8 | 15 |
| | | 19 |
| | 14 | 19 |
| | | 23 |
| | | 30 |
| | 16 | 19 |
| | 19 | 18 |
| | 22 | 12 |
| | 37 | 26 |
| | 38 | 26 |
| | 39 | 43 |
| | 40 | 19 |
| | | 51 |
| | 41 | 6 |
| | | 25 |
| | | 32 |
| | | 55 |
| | | 56 |
| | 45 | 34 |
| | 46 | 8 |
| | | 22 |

Parts No. Index

| Parts No. | Fig. No. | Ref. No. | |
|--------------|--------------|----------|-----|
| 22217-080000 | 47 | 18 | |
| | | 19 | |
| | | 48 | 25 |
| | | 49 | 10 |
| | | | 24 |
| | | 52 | 31 |
| | | 53 | 9 |
| | | | 52 |
| | | 54 | 22 |
| | | 57 | 26 |
| | | | 27 |
| | | 58 | 89 |
| | | 59 | 105 |
| | | 60 | 104 |
| | | 61 | 104 |
| | | 62 | 104 |
| | | 69 | 12 |
| | | 70 | 12 |
| | | 71 | 11 |
| | 22217-100000 | 8 | 10 |
| 16 | | 9 | |
| 25 | | 9 | -1 |
| 33 | | 33 | |
| 35 | | 10 | |
| | | 11 | |
| | | 27 | |
| 39 | | 8 | |
| 41 | | 33 | |
| 45 | | 35 | |
| 49 | | 11 | |
| 50 | | 13 | |
| | | 14 | |
| | | 15 | |
| | | 33 | |
| | 52 | 35 | |
| | | 35 | -1 |
| | 54 | 23 | |
| | 58 | 58 | |
| | 67 | 14 | |
| | 68 | 14 | |
| 22217-120000 | 32 | 41 | |
| | 35 | 28 | |
| | 40 | 20 | |
| | 49 | 12 | |
| | | 38 | |
| 22217-140000 | 55 | 15 | |
| | 54 | 24 | |
| | | 25 | |
| | 77 | 38 | |
| 22217-160000 | 32 | 15 | |

| Parts No. | Fig. No. | Ref. No. | |
|--------------|--------------|----------|----|
| 22217-160000 | 36 | 13 | |
| | | 46 | 23 |
| | | 49 | 39 |
| | | 50 | 16 |
| | | 55 | 16 |
| | | 59 | 18 |
| | | 60 | 18 |
| | | 61 | 18 |
| | | 62 | 18 |
| | | 80 | 15 |
| | | | 25 |
| | | 81 | 15 |
| | | | 25 |
| | | 82 | 20 |
| | | | 30 |
| 22217-200000 | | 83 | 20 |
| | | | 30 |
| | | 89 | 4 |
| | | | 8 |
| | | 92 | 17 |
| | | | 27 |
| | | 93 | 18 |
| | | | 28 |
| | 22217-200000 | 37 | 27 |
| | | 38 | 27 |
| 22217-220000 | 50 | 30 | |
| 22242-000140 | 5 | 34 | |
| | 41 | 57 | |
| 22242-000150 | 41 | 57 | -1 |
| 22242-000170 | 41 | 26 | |
| 22242-000190 | 42 | 14 | |
| 22242-000240 | 34 | 41 | |
| | 42 | 15 | |
| | 2 | 41 | |
| 22242-000260 | 42 | 34 | |
| 22242-000280 | 42 | 35 | |
| 22242-000290 | 44 | 17 | |
| | 47 | 20 | |
| | 51 | 9 | |
| 22242-000340 | 47 | 38 | |
| | 48 | 30 | |
| | 42 | 36 | |
| 22242-000400 | 42 | 36 | |
| 22242-000450 | 51 | 4 | |
| 22242-000550 | 36 | 25 | |
| 22252-000150 | 41 | 34 | |
| 22252-000170 | 44 | 5 | |
| 22252-000280 | 53 | 10 | |
| 22252-000400 | 42 | 16 | |
| 22252-000470 | 2 | 42 | |
| | 41 | 12 | |

| Parts No. | Fig. No. | Ref. No. | |
|--------------|----------|----------|-----|
| 22252-000520 | 47 | 21 | |
| 22252-000550 | 44 | 18 | |
| | 47 | 22 | |
| 22252-000580 | 41 | 13 | |
| 22252-000600 | 53 | 47 | |
| 22252-000680 | 35 | 29 | |
| 22252-000720 | 35 | 30 | |
| 22252-000900 | 35 | 29 | -1 |
| 22252-000950 | 43 | 11 | |
| | | 25 | |
| | 35 | 31 | |
| 22252-001000 | 42 | 37 | |
| 22262-000550 | 88 | 19 | |
| 22272-000040 | 57 | 28 | |
| 22272-000060 | 21 | 25 | A |
| | | 25 | A-1 |
| | | 25 | A-2 |
| | 57 | 29 | |
| | | 30 | |
| 22272-000190 | 52 | 20 | |
| 22292-000260 | 42 | 17 | |
| 22292-000400 | 43 | 12 | |
| | | 26 | |
| 22292-000450 | 44 | 19 | |
| 22312-030080 | 21 | 23 | |
| 22312-030220 | 6 | 12 | |
| 22312-040080 | 21 | 9 | |
| 22312-080160 | 1 | 10 | |
| | 10 | 5 | |
| | 48 | 31 | |
| 22312-080200 | 41 | 27 | |
| 22312-100140 | 47 | 23 | |
| 22312-100180 | 40 | 4 | |
| 22312-100500 | 40 | 5 | |
| 22322-030160 | 21 | 54 | |
| 22322-030180 | 21 | 19 | |
| 22322-030200 | 21 | 30 | |
| 22351-030010 | 21 | 11 | |
| 22351-030020 | 45 | 36 | |
| 22351-035025 | 48 | 26 | |
| 22351-035032 | 39 | 25 | |
| | 46 | 24 | |
| 22351-040008 | 10 | 8 | |
| | 21 | 48 | |
| | 2 | 6 | |
| 22351-040010 | 57 | 31 | |
| 22351-040014 | 77 | 39 | -1 |
| 22351-040016 | 54 | 58 | |
| | | 59 | |
| 22351-040022 | 54 | 60 | |

| Parts No. | Fig. No. | Ref. No. | |
|--------------|----------|----------|----|
| 22351-040022 | 55 | 17 | |
| | 77 | 17 | |
| 22351-040024 | 77 | 7 | |
| 22351-040025 | 34 | 23 | |
| 22351-050025 | 45 | 37 | |
| 22351-050028 | 57 | 32 | |
| 22351-050030 | 48 | 16 | |
| 22351-050040 | 50 | 41 | |
| 22351-050056 | 41 | 58 | |
| | 55 | 18 | |
| 22351-060012 | 1 | 40 | |
| 22351-060025 | 39 | 44 | |
| | 46 | 9 | |
| | 47 | 24 | |
| | 48 | 27 | |
| 22351-060032 | 39 | 26 | |
| | 46 | 25 | |
| 22351-080016 | 41 | 59 | |
| 22351-080018 | 34 | 24 | |
| | 39 | 9 | |
| | | 14 | |
| | 52 | 7 | |
| 22351-080020 | 35 | 32 | -1 |
| | | 33 | |
| 22351-080032 | 50 | 42 | |
| 22351-080040 | 50 | 43 | |
| 22351-080056 | 41 | 60 | |
| 22351-100020 | 49 | 4 | |
| | 54 | 74 | |
| 22352-080020 | 35 | 32 | |
| 22360-080000 | 69 | 13 | |
| | 70 | 13 | |
| | 71 | 12 | |
| 22360-160000 | 31 | 5 | |
| | 77 | 18 | |
| | | 25 | |
| 22360-190000 | 78 | 4 | |
| 22360-200000 | 77 | 39 | |
| 22417-120100 | 45 | 38 | |
| 22417-160180 | 28 | 14 | |
| | | 20 | |
| | | 24 | |
| | 29 | 14 | |
| | | 20 | |
| | | 24 | |
| | 45 | 39 | |
| | | 39 | -1 |
| 22417-200100 | 41 | 41 | |
| 22417-200200 | 24 | 32 | |
| | 63 | 31 | |

Parts No. Index

| Parts No. | Fig. No. | Ref. No. |
|--------------|----------|----------|
| 22417-200200 | 64 | 32 |
| | 65 | 31 |
| | 66 | 31 |
| | 69 | 14 |
| | 70 | 14 |
| 22417-200300 | 39 | 34 |
| | | 45 |
| | 52 | 21 |
| 22417-250250 | 32 | 62 |
| 22417-250400 | 34 | 11 |
| 22417-300150 | 21 | 25 |
| 22417-300200 | 57 | 33 |
| | | 34 |
| 22417-300250 | 32 | 55 |
| | | 61 |
| | 33 | 12 |
| | | 18 |
| | 37 | 45 |
| | | 54 |
| | 38 | 45 |
| | 45 | 40 |
| | | 41 |
| 22417-300350 | 77 | 40 |
| 22417-400400 | 33 | 27 |
| 22417-400450 | 32 | 30 |
| 22451-060000 | 21 | 41 -1 |
| 22451-100000 | 21 | 41 |
| 22486-060120 | 28 | 21 |
| 22487-040140 | 45 | 42 |
| 22487-060120 | 28 | 21 -1 |
| | 29 | 21 |
| 22512-070180 | 10 | 4 |
| 22512-070220 | 36 | 14 |
| 22512-070280 | 88 | 20 |
| 22512-070300 | 9 | 7 |
| 22512-070400 | 52 | 22 |
| 22512-100340 | 32 | 31 |
| 22522-030130 | 53 | 8 -1 |
| | 57 | 35 |
| 22857-400120 | 58 | 90 |
| | 59 | 106 |
| | 60 | 105 |
| | 61 | 105 |
| | 62 | 105 |
| 23010-038000 | 16 | 4 |
| 23010-060000 | 33 | 34 |
| 23061-070035 | 58 | 13 |
| | | 13 -1 |
| | 59 | 14 |
| | 60 | 14 |

| Parts No. | Fig. No. | Ref. No. |
|--------------|----------|----------|
| 23061-070035 | 61 | 14 |
| | 62 | 14 |
| 23061-070145 | 15 | 9 |
| 23064-060500 | 50 | 17 |
| 23065-070145 | 15 | 9 -1 |
| 23065-120500 | 6 | 25 |
| 23080-012000 | 30 | 14 -1 |
| 23414-080000 | 13 | 5 |
| | 27 | 28 |
| 23414-080012 | 20 | 30 |
| | 27 | 43 |
| 23414-100000 | 13 | 3 |
| | 27 | 27 |
| 23414-170022 | 40 | 14 |
| | | 30 |
| 23414-180000 | 40 | 52 |
| 23414-180023 | 53 | 28 |
| | 54 | 26 |
| 23414-200026 | 54 | 49 |
| | | 71 |
| 23414-220000 | 40 | 53 |
| | 45 | 43 |
| 23418-060000 | 19 | 10 |
| | 28 | 25 |
| | 29 | 25 |
| 23418-080000 | 6 | 11 |
| 23491-140002 | 35 | 8 -1 |
| | | 26 -1 |
| | 40 | 18 -1 |
| | 47 | 1 -1 |
| | 49 | 17 -1 |
| 23871-010000 | 40 | 21 |
| | | 54 |
| | 41 | 3 |
| | | 46 |
| | 54 | 4 |
| | | 9 |
| | | 16 |
| | 56 | 3 H |
| | | 24 |
| 23871-020000 | 5 | 14 |
| | 41 | 4 |
| 23871-030000 | 5 | 23 |
| | 14 | 9 |
| | 41 | 8 |
| | 49 | 25 |
| 23873-020000 | 5 | 14 -1 |
| 23873-030000 | 5 | 23 -1 |
| 23881-220002 | 40 | 55 |
| 24101-060034 | 41 | 28 |

| Parts No. | Fig. No. | Ref. No. |
|--------------|----------|----------|
| 24101-060044 | 42 | 18 |
| 24101-060054 | 47 | 25 |
| 24101-060064 | 42 | 38 |
| | 44 | 20 |
| 24101-060084 | 36 | 26 |
| | 42 | 39 |
| 24101-060094 | 34 | 12 |
| | | 25 |
| 24101-060124 | 48 | 17 |
| 24101-060134 | 36 | 15 |
| 24101-062024 | 2 | 55 |
| 24101-062044 | 41 | 14 |
| | 42 | 19 |
| | 44 | 6 |
| 24101-062054 | 9 | 8 |
| | 36 | 16 |
| | 44 | 21 |
| | 47 | 26 |
| 24101-062064 | 44 | 22 |
| 24101-062074 | 34 | 42 |
| 24101-062094 | 51 | 5 |
| 24101-062104 | 36 | 26 -1 |
| 24101-062114 | 36 | 27 |
| | 48 | 7 |
| 24101-063050 | 2 | 27 |
| 24101-063064 | 51 | 10 -1 |
| 24104-060064 | 88 | 21 |
| 24104-063064 | 51 | 10 |
| 24107-062010 | 25 | 5 -2 |
| | | 16 -2 |
| 24141-302050 | 32 | 22 -1 |
| 24161-222610 | 42 | 52 -1 |
| 24190-080001 | 10 | 3 -1 |
| | 47 | 27 |
| 24190-080003 | 54 | 72 |
| 24190-100001 | 12 | 13 |
| | 33 | 28 |
| | 46 | 10 |
| | | 26 |
| 24190-110001 | 28 | 15 |
| | 29 | 15 |
| 24190-120001 | 41 | 61 |
| 24190-140001 | 45 | 44 |
| 24211-030002 | 42 | 40 |
| 24211-035002 | 36 | 28 |
| 24231-030000 | 42 | 41 |
| 24311-000050 | 56 | 25 |
| | | 26 |
| 24311-000060 | 54 | 61 |
| 24311-000070 | 6 | 14 |

| Parts No. | Fig. No. | Ref. No. |
|--------------|----------|----------|
| 24311-000070 | 21 | 29 |
| | 56 | 27 |
| 24311-000090 | 21 | 55 |
| | 45 | 45 |
| | 54 | 62 |
| 24311-000100 | 1 | 8 |
| | 27 | 3 |
| | 56 | 35 A |
| 24311-000110 | 41 | 62 |
| | 47 | 28 |
| 24311-000120 | 6 | 19 |
| | 16 | 7 |
| | 27 | 34 |
| | 54 | 50 |
| | | 73 |
| | 56 | 28 |
| | | 29 |
| 24311-000140 | 45 | 46 |
| | 56 | 35 B |
| 24311-000150 | 57 | 36 |
| | | 37 |
| 24311-000160 | 35 | 12 |
| | | 34 |
| | 40 | 22 |
| | 46 | 11 |
| | | 27 |
| | 47 | 29 |
| | 49 | 26 |
| | | 40 |
| | 50 | 44 |
| 24311-000200 | 39 | 46 |
| | 53 | 29 |
| | | 30 |
| | | 31 |
| 24311-000210 | 34 | 13 |
| | 47 | 30 |
| 24311-000220 | 35 | 13 |
| | 53 | 32 |
| 24311-000280 | 53 | 48 |
| 24311-000320 | 6 | 5 -1 |
| | 27 | 18 -1 |
| 24311-000650 | 55 | 3 |
| 24311-240100 | 19 | 4 |
| 24315-000070 | 56 | 27 -1 |
| 24315-000110 | 54 | 27 |
| | 56 | 30 |
| 24315-000140 | 54 | 28 |
| 24315-000200 | 53 | 7 -1 |
| 24321-000400 | 36 | 29 |
| 24321-000500 | 36 | 29 -1 |

Parts No. Index

| Parts No. | Fig. No. | Ref. No. |
|--------------|----------|----------|
| 24321-000500 | 37 | 28 |
| | 38 | 28 |
| | 55 | 19 |
| 24321-000600 | 33 | 35 |
| 24321-000700 | 35 | 35 |
| 24321-001000 | 48 | 28 |
| 24321-001150 | 47 | 31 |
| 24325-000750 | 54 | 29 |
| 24325-000900 | 43 | 13 |
| | | 27 |
| 24341-000100 | 53 | 15 C |
| 24341-000140 | 42 | 54 |
| 24341-000160 | 41 | 67 |
| | 46 | 28 |
| 24341-000200 | 52 | 32 |
| 24341-000224 | 40 | 56 |
| 24341-000250 | 34 | 14 |
| 24341-000260 | 2 | 49 |
| | 27 | 11 |
| 24341-000320 | 40 | 23 |
| 24341-000400 | 6 | 23 |
| | 27 | 19 |
| 24341-000460 | 2 | 56 |
| | 27 | 12 |
| 24341-000480 | 53 | 4 -1 |
| 24341-000550 | 49 | 27 |
| 24341-000560 | 53 | 49 |
| 24341-000630 | 34 | 32 |
| 24341-000750 | 41 | 29 |
| 24341-001350 | 3 | 5 |
| | 27 | 13 |
| 24351-020300 | 40 | 23 -1 |
| 24421-142507 | 53 | 2 -1 |
| 24421-305208 | 47 | 14 -1 |
| 24421-405508 | 34 | 31 -1 |
| 24423-223508 | 41 | 23 -1 |
| 24423-385508 | 44 | 23 -1 |
| 24550-013150 | 45 | 22 -1 |
| 24761-010000 | 39 | 35 |
| | 40 | 24 |
| | 52 | 23 |
| | 77 | 19 |
| | | 43 |
| 24761-060000 | 32 | 3 |
| | | 9 |
| | | 14 |
| | | 54 |
| | | 60 |
| | 33 | 11 |
| | | 17 |

| Parts No. | Fig. No. | Ref. No. |
|--------------|----------|----------|
| 24761-060000 | 37 | 44 |
| | | 53 |
| | 38 | 42 |
| | 77 | 8 |
| 26011-060122 | 63 | 61 -1 |
| | 64 | 62 -1 |
| | 65 | 60 |
| | 66 | 60 |
| 26011-080162 | 58 | 17 -1 |
| | 59 | 21 -1 |
| | 60 | 21 |
| | 61 | 21 |
| | 62 | 21 |
| | 63 | 60 -1 |
| | 64 | 61 -1 |
| | 65 | 59 |
| | 66 | 59 |
| | 67 | 16 -1 |
| | | 30 -1 |
| | 68 | 16 -1 |
| | | 30 -1 |
| 26013-060102 | 58 | 14 |
| 26013-060122 | 58 | 14 -1 |
| | | 33 |
| | | 71 |
| | | 15 |
| | 59 | 40 |
| | 70 | 20 |
| 26013-060142 | 63 | 70 |
| | 64 | 71 |
| 26013-060162 | 70 | 17 |
| 26013-060222 | 12 | 4 -1 |
| 26013-060252 | 53 | 33 |
| | | 34 |
| 26013-060402 | 53 | 35 |
| | | 36 |
| 26013-080122 | 49 | 41 |
| | 58 | 103 |
| | 59 | 119 |
| | 60 | 118 |
| | 61 | 118 |
| | 62 | 118 |
| | 63 | 56 -1 |
| | 64 | 57 -1 |
| | 65 | 55 |
| | 66 | 55 |
| 26013-080142 | 58 | 17 |
| | 59 | 21 |
| | 63 | 56 |
| | 64 | 57 |

| Parts No. | Fig. No. | Ref. No. |
|--------------|----------|----------|
| 26013-080162 | 30 | 10 |
| | 31 | 6 |
| | 33 | 36 |
| | 39 | 15 |
| | 53 | 53 |
| | 63 | 57 |
| | | 58 |
| | 64 | 58 |
| | | 59 |
| | 65 | 57 |
| | 66 | 57 |
| 26013-080202 | 3 | 6 -1 |
| | 7 | 36 |
| | | 53 |
| | 53 | 54 -1 |
| | 67 | 27 |
| | 68 | 27 |
| 26013-080222 | 34 | 33 |
| | 53 | 54 |
| 26013-080252 | 7 | 26 -1 |
| | | 30 -1 |
| | | 31 -2 |
| | | 33 -1 |
| | 34 | 33 |
| | 63 | 59 |
| | 64 | 60 |
| | 65 | 58 |
| | 66 | 58 |
| | 69 | 15 |
| | 70 | 15 |
| | 71 | 13 |
| 26013-080352 | 53 | 37 |
| 26013-100202 | 63 | 32 |
| | 64 | 33 |
| | 65 | 32 |
| | 66 | 32 |
| | 67 | 25 |
| | 68 | 25 |
| | 88 | 22 |
| 26013-100252 | 67 | 15 |
| | | 28 |
| | 68 | 15 |
| | | 28 |
| 26013-100282 | 33 | 3 |
| 26013-100302 | 33 | 3 -1 |
| | 37 | 34 -1 |
| | 38 | 34 -1 |
| 26013-120222 | 49 | 28 |
| | 95 | 15 |
| 26013-120252 | 49 | 28 -1 |
| 26013-120302 | 31 | 7 |
| | | 12 |

| Parts No. | Fig. No. | Ref. No. |
|--------------|----------|----------|
| 26013-120302 | 78 | 5 |
| | 79 | 5 |
| | 88 | 23 |
| 26013-140252 | 32 | 37 |
| | 36 | 30 |
| 26013-140302 | 88 | 24 |
| 26014-060122 | 58 | 14 -2 |
| | | 71 -1 |
| | 59 | 15 -1 |
| | 60 | 15 |
| | | 122 |
| | 61 | 15 |
| | | 120 |
| | 62 | 15 |
| | | 121 |
| 26014-060142 | 67 | 29 |
| | 68 | 29 |
| 26014-060162 | 65 | 77 |
| 26014-060182 | 15 | 16 -1 |
| 26014-060202 | 69 | 16 |
| 26014-060302 | 15 | 29 |
| 26014-080162 | 63 | 57 -1 |
| | 64 | 58 -1 |
| | 65 | 56 |
| | | 78 |
| | 66 | 56 |
| 26014-080252 | 22 | 8 -1 |
| 26014-080352 | 22 | 22 |
| 26106-060082 | 1 | 24 -1 |
| 26106-060102 | 2 | 51 |
| | 32 | 38 -1 |
| 26106-060122 | 2 | 21 -1 |
| | 15 | 12 -1 |
| | 21 | 56 |
| | 58 | 14 -3 |
| | | 71 -2 |
| | | 95 -1 |
| | 63 | 61 -2 |
| | 64 | 62 -2 |
| | 65 | 60 -1 |
| | 66 | 60 -1 |
| 26106-060142 | 15 | 28 |
| 26106-060162 | 1 | 29 -1 |
| | 58 | 34 -1 |
| | 69 | 16 -1 |
| 26106-060222 | 21 | 8 -1 |
| 26106-060252 | 53 | 33 -1 |
| | | 34 -1 |
| 26106-060322 | 14 | 11 -1 |
| | 24 | 34 -1 |

Parts No. Index

| Parts No. | Fig. No. | Ref. No. |
|--------------|----------|----------|
| 26106-060322 | 24 | 34 -2 |
| 26106-060402 | 53 | 35 -1 |
| | | 36 -1 |
| 26106-080102 | 6 | 27 -1 |
| 26106-080122 | 5 | 17 -1 |
| | 15 | 18 -1 |
| | 23 | 9 -1 |
| | 49 | 41 -1 |
| | 58 | 103 -1 |
| | 59 | 119 -1 |
| | 60 | 118 -1 |
| | 61 | 118 -1 |
| | 63 | 56 -2 |
| | | 57 -2 |
| | 64 | 57 -2 |
| | | 58 -2 |
| | 65 | 55 -1 |
| | | 78 -1 |
| | 66 | 55 -1 |
| | | 56 -1 |
| 26106-080142 | 5 | 18 -1 |
| 26106-080162 | 6 | 24 -1 |
| | 7 | 28 -1 |
| | 30 | 10 -1 |
| | 31 | 6 -1 |
| | 39 | 15 -1 |
| | 53 | 53 -1 |
| | 58 | 17 -2 |
| | 59 | 21 -2 |
| | 60 | 21 -1 |
| | 61 | 21 -1 |
| | 63 | 58 -1 |
| | | 60 -2 |
| | 64 | 59 -1 |
| | | 61 -2 |
| | 65 | 57 -1 |
| | | 59 -1 |
| | 66 | 57 -1 |
| | | 59 -1 |
| | 67 | 16 -2 |
| | | 27 -1 |
| | | 30 -2 |
| | 68 | 27 -1 |
| | | 30 -2 |
| 26106-080182 | 16 | 17 -1 |
| 26106-080202 | 53 | 54 -2 |
| 26106-080252 | 63 | 59 -1 |
| | 64 | 60 -1 |
| | 65 | 58 -1 |
| | 66 | 58 -1 |

| Parts No. | Fig. No. | Ref. No. |
|--------------|----------|----------|
| 26106-080252 | 69 | 15 -1 |
| 26106-080302 | 63 | 36 -1 |
| 26106-080352 | 53 | 37 -1 |
| 26106-080382 | 14 | 16 -1 |
| 26106-080402 | 14 | 17 -1 |
| 26106-080452 | 2 | 29 -1 |
| 26106-080502 | 30 | 11 -1 |
| 26106-080552 | 14 | 22 -1 |
| | 69 | 17 -2 |
| 26106-080602 | 14 | 31 |
| 26106-080652 | 19 | 16 -1 |
| 26106-080752 | 2 | 30 -1 |
| 26106-080852 | 2 | 31 -1 |
| 26106-081152 | 2 | 32 -1 |
| 26106-100202 | 63 | 32 -1 |
| | 67 | 25 -1 |
| | | 28 -1 |
| | 68 | 28 -1 |
| 26106-100302 | 37 | 34 -2 |
| | 38 | 34 -2 |
| 26106-100652 | 8 | 7 -1 |
| 26106-100802 | 52 | 36 -1 |
| 26116-040102 | 2 | 25 |
| 26116-050128 | 21 | 57 |
| 26116-050142 | 22 | 23 |
| | 29 | 27 |
| 26116-050162 | 60 | 81 |
| | 61 | 81 |
| 26116-060102 | 15 | 12 |
| | 20 | 8 |
| 26116-060122 | 2 | 21 |
| | 32 | 38 |
| | 40 | 57 |
| | 58 | 95 |
| | 59 | 111 |
| | 60 | 110 |
| | | 123 |
| | 61 | 110 |
| | | 121 |
| | 62 | 110 |
| | | 122 |
| | 70 | 19 |
| 26116-060142 | 56 | 34 |
| 26116-060162 | 15 | 16 |
| | 20 | 9 |
| | 56 | 34 -1 |
| | 58 | 34 |
| | 59 | 41 |
| | 60 | 40 |
| | 61 | 40 |

| Parts No. | Fig. No. | Ref. No. |
|--------------|----------|----------|
| 26116-060162 | 62 | 40 |
| | 68 | 40 |
| 26116-060182 | 1 | 29 |
| 26116-060202 | 49 | 29 |
| 26116-060222 | 12 | 4 |
| | 21 | 8 |
| 26116-060352 | 14 | 11 |
| 26116-080122 | 5 | 17 |
| | 15 | 18 |
| | 23 | 9 |
| | 39 | 10 |
| 26116-080162 | 7 | 28 |
| | 39 | 47 |
| | 46 | 12 |
| | | 29 |
| | 47 | 32 |
| | 57 | 38 -1 |
| | 63 | 60 |
| | 64 | 61 |
| 26116-080182 | 57 | 38 |
| 26116-080202 | 3 | 6 |
| | 7 | 31 -1 |
| | 37 | 29 -1 |
| | 38 | 29 -1 |
| | 40 | 25 |
| | 47 | 33 |
| | 67 | 16 |
| | | 30 |
| | 68 | 16 |
| | | 30 |
| 26116-080222 | 16 | 17 |
| | 37 | 29 |
| | 38 | 29 |
| 26116-080252 | 7 | 26 |
| | | 30 |
| | | 31 |
| | 22 | 8 |
| | 41 | 30 |
| | | 63 |
| | | 64 |
| | 48 | 29 |
| | 52 | 33 |
| | 53 | 3 -1 |
| 26116-080302 | 49 | 30 |
| | 63 | 36 |
| | 64 | 37 |
| | 65 | 36 |
| | 66 | 36 |
| 26116-080352 | 41 | 65 |
| | 54 | 30 |

| Parts No. | Fig. No. | Ref. No. |
|--------------|----------|----------|
| 26116-080402 | 14 | 16 |
| 26116-080452 | 2 | 29 |
| | 14 | 17 |
| | 40 | 58 |
| | 54 | 31 |
| 26116-080502 | 30 | 11 |
| 26116-080552 | 69 | 17 -1 |
| | 71 | 14 |
| 26116-080582 | 8 | 18 |
| 26116-080602 | 14 | 22 |
| | 45 | 48 |
| | 69 | 17 |
| | 70 | 16 |
| 26116-080702 | 19 | 16 |
| | 41 | 35 |
| | 45 | 49 |
| 26116-080752 | 2 | 30 |
| | 47 | 34 |
| 26116-080802 | 47 | 35 |
| 26116-080852 | 2 | 31 |
| 26116-081052 | 45 | 50 |
| 26116-081152 | 2 | 32 |
| 26116-081202 | 22 | 24 |
| 26116-100162 | 33 | 37 -1 |
| | 35 | 36 |
| 26116-100222 | 1 | 38 |
| 26116-100252 | 35 | 14 |
| 26116-100302 | 35 | 15 |
| | | 37 |
| | 50 | 18 |
| 26116-100352 | 50 | 19 |
| | | 45 |
| | 54 | 32 |
| 26116-100452 | 35 | 38 |
| 26116-100652 | 8 | 7 |
| 26116-100802 | 52 | 36 |
| 26116-101052 | 41 | 36 |
| 26116-120252 | 63 | 33 |
| | 64 | 34 |
| | 65 | 33 |
| | 66 | 33 |
| 26116-120322 | 55 | 20 |
| 26116-120352 | 35 | 39 |
| | 40 | 26 |
| | 49 | 42 |
| 26116-120602 | 32 | 42 |
| 26116-140352 | 54 | 33 -1 |
| 26116-140452 | 54 | 34 -1 |
| 26116-140652 | 54 | 35 -1 |
| 26116-160302 | 59 | 19 |

Parts No. Index

| Parts No. | Fig. No. | Ref. No. |
|--------------|----------|----------|
| 26116-160302 | 60 | 19 |
| | 61 | 19 |
| | 62 | 19 |
| 26116-160602 | 89 | 3 |
| 26116-160652 | 32 | 16 |
| 26116-161102 | 89 | 6 |
| 26116-220602 | 50 | 29 |
| 26126-080252 | 53 | 3 |
| 26126-100162 | 33 | 37 |
| 26126-140352 | 54 | 33 |
| 26126-140452 | 54 | 34 |
| 26126-140652 | 54 | 35 |
| 26206-100222 | 1 | 38 -1 |
| 26216-060142 | 2 | 13 |
| 26216-060352 | 2 | 14 |
| 26216-080182 | 49 | 5 |
| 26216-080222 | 8 | 13 |
| 26216-080302 | 1 | 36 |
| 26216-080452 | 54 | 5 |
| 26216-080602 | 5 | 21 |
| 26216-080652 | 5 | 20 |
| | | 25 |
| 26216-080702 | 5 | 20 -1 |
| 26216-100252 | 49 | 6 |
| | 50 | 21 |
| | | 25 |
| 26216-100302 | 50 | 22 |
| | | 22 -1 |
| 26216-100322 | 2 | 57 |
| | 49 | 7 -1 |
| 26216-100352 | 49 | 7 |
| 26216-120352 | 49 | 8 |
| | | 9 |
| 26226-080602 | 41 | 5 |
| 26346-050002 | 58 | 99 |
| | 59 | 115 |
| | 60 | 114 |
| | 61 | 114 |
| | 62 | 114 |
| 26346-120002 | 47 | 36 |
| 26356-120002 | 37 | 37 |
| | 38 | 37 |
| 26366-060002 | 2 | 15 -1 |
| | 6 | 9 -1 |
| 26366-080002 | 5 | 24 -1 |
| | | 26 |
| | 8 | 14 -1 |
| | 22 | 25 |
| | | 26 |
| 26450-080182 | 34 | 26 |

| Parts No. | Fig. No. | Ref. No. |
|--------------|----------|----------|
| 26450-080202 | 56 | 36 |
| 26450-080252 | 53 | 3 -2 |
| 26450-080452 | 14 | 24 |
| 26450-080652 | 48 | 18 |
| 26557-030062 | 30 | 7 |
| 26557-040082 | 25 | 19 |
| 26557-040122 | 24 | 35 |
| | | 35 -2 |
| 26557-040202 | 60 | 62 |
| | | 72 |
| | 61 | 62 |
| | | 72 |
| 26557-040252 | 25 | 14 |
| 26557-050082 | 63 | 71 |
| | 64 | 72 |
| | 65 | 70 |
| | 66 | 70 |
| 26557-050122 | 6 | 15 |
| 26557-050162 | 58 | 100 |
| | 59 | 116 |
| | 60 | 115 |
| | 61 | 115 |
| | 62 | 115 |
| 26557-060082 | 23 | 8 |
| | 45 | 47 |
| 26557-060122 | 61 | 116 |
| | 62 | 116 |
| | 68 | 37 |
| 26557-060162 | 88 | 25 |
| 26557-060302 | 58 | 101 |
| | 59 | 117 |
| | 60 | 116 |
| 26557-080102 | 6 | 27 |
| 26587-050102 | 17 | 39 |
| | 57 | 39 |
| 26587-060162 | 63 | 61 |
| | 64 | 62 |
| | 67 | 17 |
| | 68 | 17 |
| 26587-060202 | 58 | 40 |
| | 59 | 49 |
| | 60 | 48 |
| | 61 | 48 |
| | 62 | 48 |
| 26587-080102 | 2 | 17 |
| 26587-080122 | 9 | 9 |
| 26587-080162 | 58 | 70 |
| | 61 | 133 |
| 26635-080002 | 57 | 40 |
| 26687-120002 | 21 | 37 |

| Parts No. | Fig. No. | Ref. No. |
|--------------|----------|----------|
| 26696-100002 | 5 | 13 -1 |
| | 16 | 8 -1 |
| 26706-100002 | 2 | 12 -1 |
| | 8 | 8 -1 |
| | 25 | 10 -2 |
| 26716-040002 | 58 | 78 |
| | 59 | 94 |
| | 60 | 93 |
| | 61 | 93 |
| | 62 | 93 |
| 26716-050002 | 60 | 65 |
| | | 75 |
| | | 84 |
| | 61 | 65 |
| | | 75 |
| | | 84 |
| 26716-060002 | 2 | 15 |
| | 42 | 55 |
| | 63 | 68 |
| | 64 | 69 |
| | 65 | 67 |
| | 66 | 67 |
| 26716-080002 | 1 | 37 |
| | 2 | 8 |
| | | 45 |
| | 5 | 22 |
| | | 24 |
| | 8 | 14 |
| | 28 | 16 |
| | 29 | 16 |
| | 30 | 12 |
| | 39 | 48 |
| | 41 | 7 |
| | 45 | 51 |
| | 49 | 13 |
| | 53 | 55 |
| | 54 | 36 |
| | 57 | 41 |
| | 58 | 91 |
| | 59 | 107 |
| | 60 | 106 |
| | 61 | 106 |
| | 62 | 106 |
| | 63 | 34 |
| | 64 | 35 |
| | 65 | 34 |
| | 66 | 34 |
| | 67 | 31 |
| | 68 | 31 |
| 26716-100002 | 2 | 12 |

| Parts No. | Fig. No. | Ref. No. |
|--------------|----------|----------|
| 26716-100002 | 8 | 8 |
| | 25 | 10 -1 |
| | 28 | 17 |
| | 29 | 17 |
| | 39 | 36 |
| | 40 | 12 |
| | 45 | 52 |
| | 49 | 14 |
| | 50 | 23 |
| | | 32 |
| | | 52 |
| | | 54 |
| | | 58 |
| | | 67 |
| | | 68 |
| 26716-120002 | 1 | 19 |
| | 40 | 8 |
| | 46 | 13 |
| | 49 | 15 |
| | 57 | 42 |
| | 63 | 35 |
| | 64 | 36 |
| | 65 | 35 |
| | 66 | 35 |
| 26716-140002 | 77 | 41 |
| 26716-160002 | 32 | 17 |
| | 36 | 17 |
| | 50 | 24 |
| | 89 | 7 |
| 26716-220002 | 50 | 31 |
| 26736-120002 | 21 | 38 |
| 26736-160002 | 46 | 30 |
| | 49 | 43 |
| | 55 | 21 |
| 26736-200002 | 37 | 30 |
| | 38 | 30 |
| 26756-050002 | 6 | 16 |
| | 21 | 36 |
| | | 58 |
| | | 22 |
| | | 29 |
| 26756-060002 | 42 | 56 |
| | 56 | 31 |
| | | 31 -1 |
| 26756-080002 | 5 | 40 |
| | | 45 |
| | 22 | 11 |
| 26756-100002 | 50 | 46 |
| | 57 | 43 |
| | 58 | 56 |

Parts No. Index

| Parts No. | Fig. No. | Ref. No. |
|--------------|----------|----------|
| 26756-140002 | 77 | 44 |
| 26756-200002 | 77 | 20 |
| 26756-240002 | 77 | 9 |
| 26776-100002 | 5 | 13 |
| | 16 | 8 |
| | 37 | 31 |
| | 38 | 31 |
| 26776-180002 | 10 | 15 |
| 26776-200002 | 37 | 30 -1 |
| | 38 | 30 -1 |
| 26817-160002 | 77 | 42 |
| 26837-100002 | 32 | 63 |
| 26837-160002 | 77 | 42 -1 |
| 26911-060082 | 42 | 26 |
| 26911-080082 | 40 | 59 |
| 26921-080102 | 5 | 35 |
| 26921-080142 | 45 | 53 |
| 27221-060100 | 10 | 3 |
| 27241-300000 | 1 | 11 |
| | | 11 -2 |
| 27243-300000 | 1 | 11 -1 |
| 27310-070000 | 5 | 9 -1 |
| 27310-070001 | 5 | 9 -2 |
| 28110-080100 | 90 | 3 |
| 28110-100130 | 90 | 4 |
| 28110-120140 | 90 | 4 -1 |
| 28110-170190 | 90 | 5 |
| 28110-220240 | 90 | 6 |
| 28110-260320 | 90 | 8 |
| 28110-270300 | 90 | 7 |
| 29411-050000 | 58 | 37 -1 |
| | 59 | 45 -1 |
| | 60 | 44 |
| | 61 | 44 |
| | 62 | 44 |
| 29411-100000 | 58 | 38 -1 |
| | 59 | 46 -1 |
| | 60 | 45 |
| | 61 | 45 |
| | 62 | 45 |
| 29411-150000 | 58 | 39 -1 |
| | 59 | 47 -1 |
| | 60 | 46 |
| | 61 | 46 |
| | 62 | 46 |
| 29411-200000 | 59 | 48 -1 |
| | 60 | 47 |
| | 61 | 47 |
| | 62 | 47 |
| 43400-500390 | 20 | 18 |

| Parts No. | Fig. No. | Ref. No. |
|----------------|----------|----------|
| 43400-500390 | 27 | 42 |
| 43400-500410 | 14 | 32 |
| | 27 | 32 |
| 43400-500450 | 1 | 23 |
| | 21 | 39 |
| | 27 | 5 |
| | | 44 |
| 705311-22500 | 11 | 3 |
| | 26 | 4 |
| 705311-22501 | 11 | 3 -1 |
| | 26 | 4 -1 |
| 711100-51540 | 17 | 17 |
| 721257-55540 | 19 | 2 |
| 721450-11650 | 5 | 36 |
| 721450-11660 | 5 | 41 |
| 721454-01611 | 2 | 1 |
| 721454-01612 | 2 | 1 -1 |
| 721454-01613 | 2 | 2 |
| 721500-21700 | 10 | 1 |
| 721522-11700 | 5 | 1 |
| 721522-11701 | 5 | 1 -1 |
| 721550-02500 | 3 | 1 |
| 721550-02610 | 3 | 8 |
| 721550-02620 | 3 | 12 |
| 721550-02800 | 3 | 10 |
| 721550-02810 | 3 | 14 |
| 721550-02820 | 3 | 20 |
| 721550-02830 | 3 | 19 |
| 721550-23100 | 11 | 9 |
| 721550-23600 | 11 | 13 |
| 721550-51700 | 17 | 1 |
| 721551-01540 | 1 | 20 |
| 721551-11520 | 6 | 1 |
| 721551-13500 | 8 | 11 |
| 721554-01561 | 1 | 1 |
| 721554-92500 | 26 | 1 |
| 721554-92501 | 26 | 2 |
| 721554-92600 | 27 | 1 |
| 721554-92601 | 27 | 2 |
| 724060-53101 | 18 | 1 |
| 724550-51520 | 17 | 15 |
| 794081-12950 | 80 | 2 |
| | 81 | 2 |
| 794081-54101 | 58 | 60 |
| | 61 | 123 |
| 794130-34800-P | 82 | 15 |
| | | 25 |
| 794130-34800-Q | 83 | 15 |
| | | 25 |
| | | 25 |
| 794130-34880-P | 80 | 10 |

| Parts No. | Fig. No. | Ref. No. |
|----------------|----------|----------|
| 794130-34880-P | 80 | 20 |
| 794130-34880-Q | 81 | 10 |
| | | 20 |
| 794130-71410 | 77 | 3 |
| | | 12 |
| | | 22 |
| | | 27 |
| | 79 | 6 |
| 794136-34500-P | 85 | 9 |
| 794136-34500-Q | 84 | 9 |
| 794136-34501-P | 87 | 9 |
| 794136-34501-Q | 86 | 9 |
| 794136-34600 | 84 | 14 |
| 794136-34600-P | 85 | 14 |
| 794136-34601-P | 87 | 14 |
| 794136-34601-Q | 86 | 14 |
| 794150-21700 | 39 | 13 |
| 794150-22150 | 39 | 17 |
| 794166-14700-P | 82 | 1 |
| 794166-14700-Q | 83 | 1 |
| 794166-14800-P | 82 | 6 |
| 794166-14800-Q | 83 | 6 |
| 794171-14100 | 35 | 40 |
| 794275-53401 | 58 | 47 |
| 794286-71100-X | 77 | 1 |
| 794286-71101-X | 77 | 1 -1 |
| 794322-82110 | 90 | 1 |
| 794322-82111 | 90 | 1 -1 |
| 794361-00100-Q | 94 | 1 |
| 794361-00101-Q | 94 | 1 -1 |
| 794361-14700-Q | 84 | 1 |
| | 94 | 2 |
| 794361-14701-P | 85 | 1 |
| | 87 | 1 |
| 794361-14701-Q | 84 | 1 -1 |
| | 86 | 1 |
| | 94 | 2 -1 |
| 794361-14800-Q | 84 | 5 |
| | 94 | 6 |
| 794361-14801-P | 85 | 5 |
| | 87 | 5 |
| 794361-14801-Q | 84 | 5 -1 |
| | 86 | 5 |
| | 94 | 6 -1 |
| 794432-01400-X | 67 | 35 |
| | 68 | 42 |
| 794432-72100-X | 77 | 11 |
| 794432-72200-X | 77 | 21 |
| 794432-73100-X | 77 | 26 |
| 794432-74600-X | 77 | 30 |

| Parts No. | Fig. No. | Ref. No. |
|----------------|----------|----------|
| 794432-74601-X | 77 | 30 -1 |
| 794446-83100-X | 88 | 1 |
| 794730-57122 | 32 | 50 |
| 794730-57122-X | 33 | 7 |
| | 37 | 49 |
| 794730-57132 | 32 | 56 |
| 794730-57132-X | 33 | 13 |
| 94210M-06900 | 25 | 18 |
| 94210M-21932 | 25 | 9 |
| 94210M-32983 | 25 | 7 |
| 94210M-42802 | 25 | 21 |
| 94210M-42927 | 25 | 4 |
| 94210M-42929 | 25 | 6 |
| 94210M-51416 | 25 | 11 |
| 94210M-51417 | 25 | 12 |
| 94210M-51418 | 25 | 13 |
| 94210M-86025 | 25 | 8 |
| 94210M-86124 | 25 | 5 |
| | | 16 |
| 94210M-86372 | 25 | 10 |
| 94210M-96717 | 25 | 17 |
| X21142215 | 24 | 13 |
| X21145866 | 24 | 34 |
| X21201110 | 24 | 7 |
| X21201115 | 24 | 3 |
| X21201313 | 24 | 19 |
| X21201605 | 24 | 29 |
| X21202601 | 24 | 24 |
| X21202602 | 24 | 25 |
| X212037002 | 24 | 28 |
| X21204259 | 24 | 12 |
| X21204302 | 24 | 16 |
| X21204401 | 24 | 21 |
| X212045001 | 24 | 22 |
| X21204810 | 24 | 33 |
| X21205310 | 24 | 17 |
| X21205400 | 24 | 20 |
| X21205650 | 24 | 23 |
| X21207100 | 24 | 2 |
| X21207312 | 24 | 18 |
| X21209311 | 24 | 14 |
| X22501300 | 24 | 15 |
| XM069000000 | 25 | 18 -1 |
| XM329830000 | 25 | 7 -1 |
| XM428020000 | 25 | 21 -1 |
| XM429270000 | 25 | 4 -1 |
| XM429290000 | 25 | 6 -1 |
| XM514160000 | 25 | 11 -1 |
| XM514170000 | 25 | 12 -1 |
| XM514180000 | 25 | 13 -1 |

Parts No. Index

| Parts No. | Fig. No. | Ref. No. |
|-------------|----------|----------|
| XM622270000 | 25 | 3 -1 |
| XM860250000 | 25 | 8 -1 |
| XM861240000 | 25 | 5 -1 |
| | | 16 -1 |
| XM967170000 | 25 | 17 -1 |

| Parts No. | Fig. No. | Ref. No. |
|-----------|----------|----------|
|-----------|----------|----------|

| Parts No. | Fig. No. | Ref. No. |
|-----------|----------|----------|
|-----------|----------|----------|

| Parts No. | Fig. No. | Ref. No. |
|-----------|----------|----------|
|-----------|----------|----------|